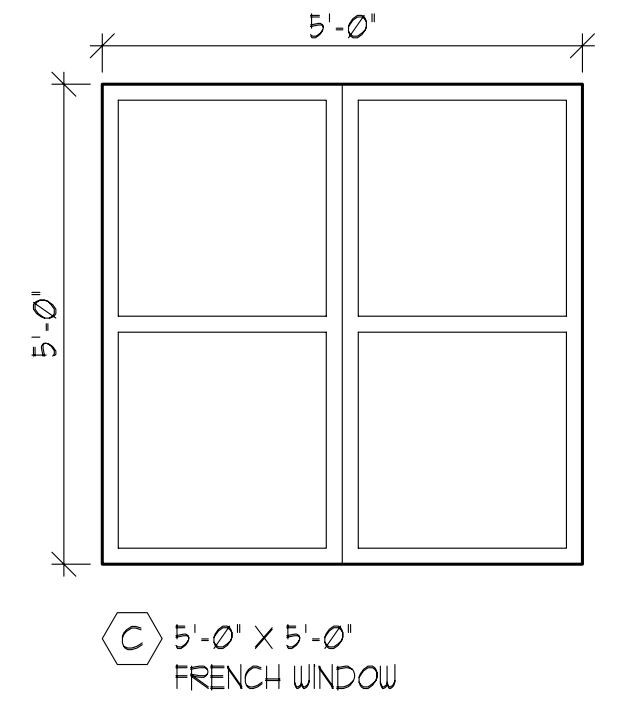
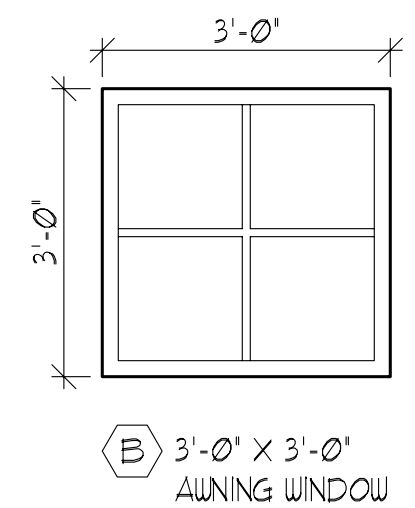
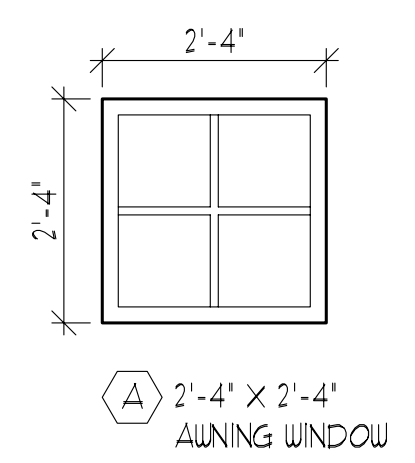
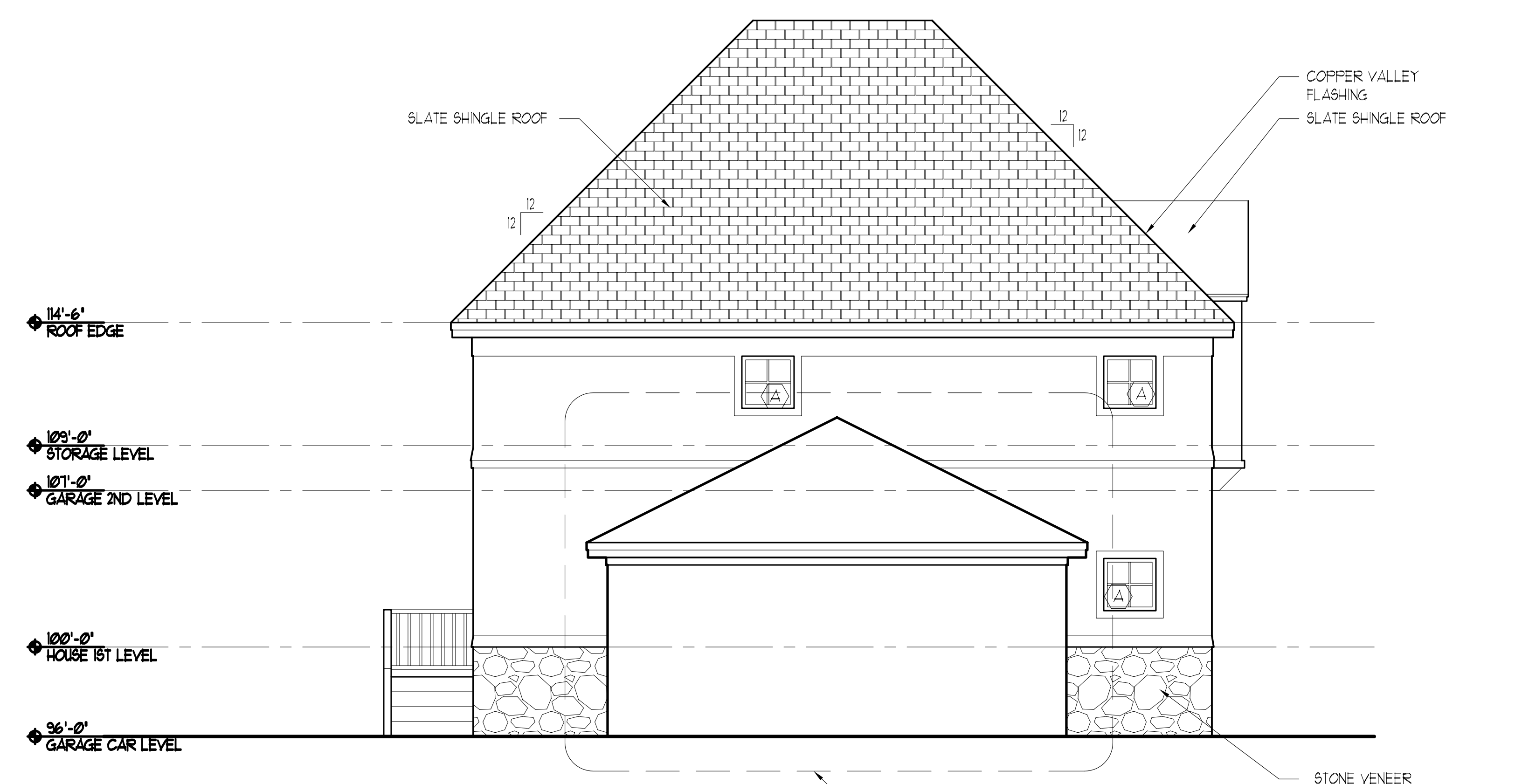


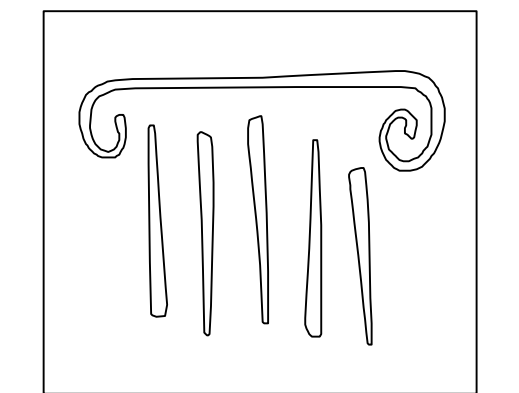
IF THIS SHEET IS NOT 24 X 36 IT IS A REDUCED SCALE PRINT - SCALE ACCORDINGLY



2 FRONT ELEVATION
SCALE: 1/4" = 1'-0"



1 LEFT ELEVATION
SCALE: 1/4" = 1'-0"



PORT CITY ARCHITECTURE

65 NEWBURY STREET
PORTLAND, ME 04101
207.761.9000
fax: 207.761.2010
info@portcityarch.com

CONSULTANTS:

RUSSO CARRIAGE HOUSE

Pitt Street
Portland, Maine

#	DATE	DESCRIPTION
REVISIONS		
	Date Issued	NOVEMBER 28, 2007
	Project Number	06015
	Drawing Scale	
	SHEET NAME	

ELEVATIONS

Drawn By
EC
Checked By
ACH

A2.0