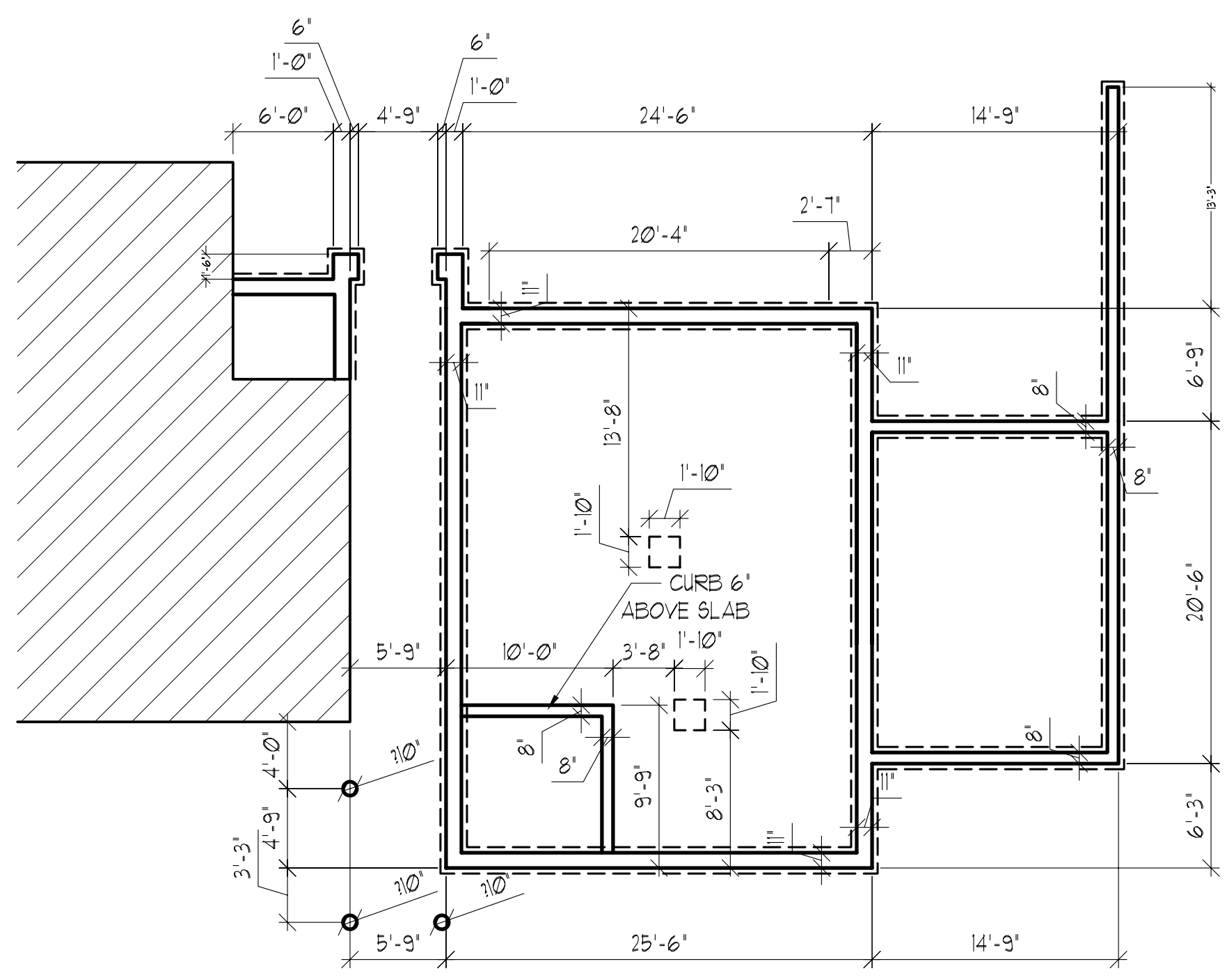
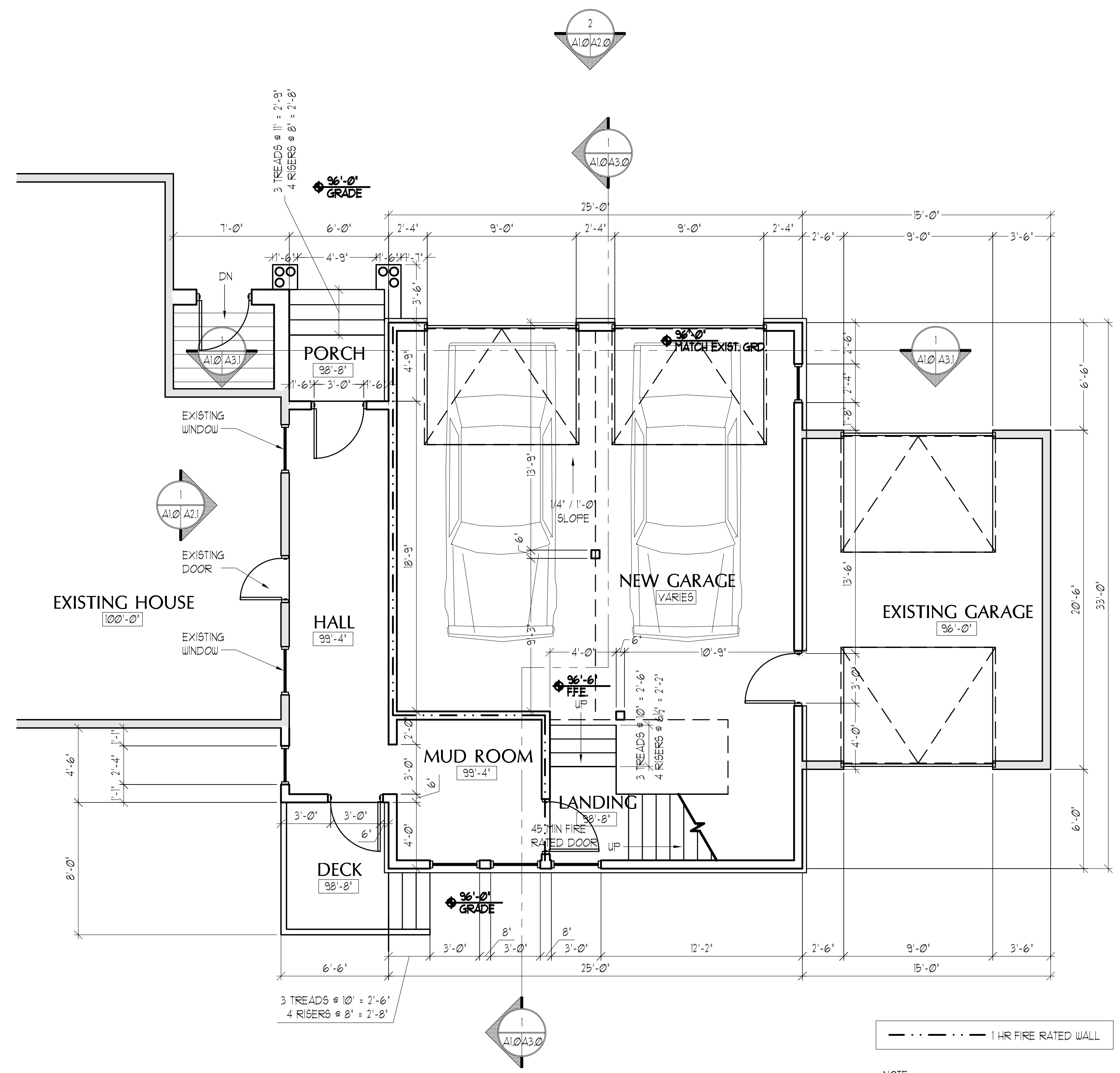


IF THIS SHEET IS NOT 24 X 36 IT IS A REDUCED SCALE PRINT - SCALE ACCORDINGLY



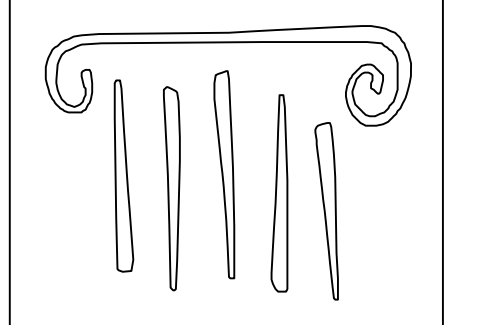
FOUNDATION PLAN
SCALE: 1/8" = 1'-0"



--- 1 HR FIRE RATED WALL

NOTE:
- WINDOW DIMENSIONS ARE NOMINAL. ADJUST ROUGH OPENINGS TO MANUFACTURERS DIMENSIONS.

FIRST FLOOR PLAN
SCALE: 1/4" = 1'-0"



PORT CITY ARCHITECTURE

65 NEWBURY STREET
PORTLAND, ME 04101
207.761.9000
fax: 207.761.2010
info@portcityarch.com

CONSULTANTS:

RUSSO CARRIAGE HOUSE

Pitt Street
Portland, Maine

#	DATE	DESCRIPTION
REVISIONS		
	Date Issued	NOVEMBER 28, 2007
	Project Number	06015
	Drawing Scale	
	SHEET NAME	FIRST FLOOR PLAN

Date Issued: NOVEMBER 28, 2007

Project Number: 06015

Drawing Scale:

SHEET NAME: FIRST FLOOR PLAN

Drawn By: EC

Checked By: ACH

A11