

# MS-9200UDLS(E) Rev 3

## Intelligent Addressable FACP with Built-In Communicator



### Addressable Fire Alarm Control Panel

#### General

The Fire•Lite MS-9200UDLS Rev 3 with Version 5.0 firmware is a combination FACP (Fire Alarm Control Panel) and DACT (Digital Alarm Communicator/Transmitter) all on one circuit board. This compact intelligent addressable control panel has an extensive list of powerful features.

While the MS-9200UDLS Rev 3 may be used with an SLC configured in the CLIP (Classic Loop Interface Protocol) mode, it can also operate in LiteSpeed™ mode—Fire•Lite's latest polling technology—for a quicker device response time. LiteSpeed's patented technology polls 10 devices at a time. This improvement allows a fully-loaded panel with up to 198 devices to report an incident and activate the notification circuits in under 10 seconds. With Litespeed polling, devices can be wired on standard twisted, unshielded wire up to a distance of 10,000 feet.

The MS-9200UDLS Rev 3's quick-remove chassis protects the electronics during construction. The backbox can be installed allowing field wiring to be pulled. When construction is completed, the electronics can be quickly installed with just two bolts.

**New features for Rev 3 with Version 5.0 firmware** include removable terminal blocks, improved transient protection, additional secondary ANN-BUS, and increased power for the resettable and remote sync outputs.

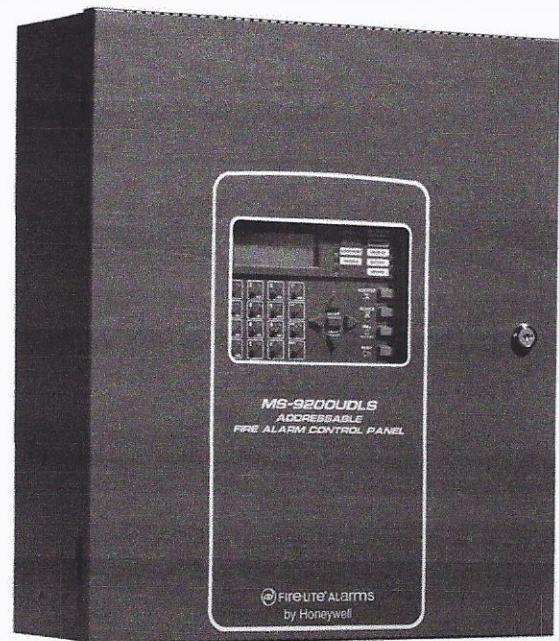
Available accessories include ANN-BUS devices as well as ACS LED, graphic and LCD annunciators, and reverse polarity/city box transmitter.

The integral DACT transmits system status (alarms, supervisories, troubles, AC loss, etc.) to a Central Station via the public switched telephone network. It also allows remote and local programming of the control panel using the PS-Tools Upload/Download utility. In addition, the control panel may be programmed or interrogated off-site via the public switched telephone network. Any personal computer with Windows® XP or greater, a compatible modem, and PS-Tools—the Fire•Lite Upload/Download software kit—may serve as a Service Terminal. This allows download of the entire program or upload of the entire program, history file, walktest data, current status and system voltages. The panel can also be programmed through the FACP's keypad or via a standard PS-2 computer keyboard, which can be plugged directly into the printed circuit board. This permits easy typing of address labels and other programming information.

Version 5.0 firmware supports the following: Primary and Secondary ANN-bus devices, AD355 (LiteSpeed), USB port, NAC circuit diagnostics, a new report has been added to the walktest that lists untested devices, new device types added: audio telephone type code for ACC 25/50ZST, Photo Supervisory and auto-resettable Drill (non-latching).

The FireWatch Series internet monitoring modules IPDACT-2 and IPDACT-2UD permit monitoring of alarm signals over the Internet saving the monthly cost of two dedicated business telephone lines. Although not required, the secondary telephone line may be retained providing backup communication over the public switched telephone line.

**NOTE:** Unless otherwise specified, the term MS-9200UDLS is used in this document to refer to both the MS-9200UDLS and the MS-9200UDLS(E) FACP's (Fire Alarm Control Panels).



5242rev.jpg

#### Features

- Listed to UL standard 864, 9th edition.
- On-board DACT.
- Remote site or local USB port upload/download, using PS-Tools.
- Four (4) Style Y (Class B) NAC circuits, which can be converted to four (4) Style Z (Class A) circuits with optional ZNAC-92 converter module. (Up to 6.0 amps total NAC power when using optional XRM-24B.)
- Selectable strobe synchronization for System Sensor, Wheelock, and Gentex devices.
- Remote Acknowledge, Silence, Reset and Drill via addressable monitor modules or LCD-80F, ANN-80 or Legacy ACS Annunciators.
- ANN-BUS for connection to following optional modules (cannot be used if ACS annunciators are used):
  - ANN-80(-W) Remote LCD Annunciator
  - ANN-I/O LED Driver
  - ANN-S/PG Printer Module
  - ANN-RLY Relay Module
  - ANN-LED Annunciator Module
  - ANN-RLED Annunciator Module alarms only
  - ROME Relay Option Module Enclosure
- ACS/TERM:
  - ACS Annunciators: Up to 32 Legacy ACM Series annunciators (ACM-16AT or ACM-32 series). Cannot be used if ANN-BUS devices are used.
  - Terminal-mode Annunciators: Up to 32 Legacy LCD-80F remote annunciators.



- EIA-232 printer/PC interface (variable baud rate) on main circuit board, for use with optional UL-listed printer PRN-6F.
- Integral 80-character LCD display with backlighting.
- Real-time clock/calendar with automatic daylight savings control.
- Detector sensitivity test capability (NFPA 72 compliant).
- History file with 1,000-event capacity.
- Maintenance alert warns when smoke detector dust accumulation is excessive.
- Automatic device type-code verification.
- One person audible or silent walk test with walk-test log and printout.
- Point trouble identification.
- Waterflow (nonsilenceable) selection per monitor point.
- System alarm verification selection per detector point.
- PAS (Positive Alarm Sequence) and presignal delay per point (NFPA 72 compliant).

**NOTE:** Only detectors may participate in PAS.

#### **SLC LOOP:**

- SLC can be configured for NFPA Style 4, 6, or 7 operation.
- SLC supports up to 198 addressable devices per loop (99 detectors and 99 monitor, control, or relay modules).
- SLC loop maximum length 10,000 ft. (3,000 m.).  
See *installation manual for wire tables*.

#### **NOTIFICATION APPLIANCE CIRCUITS (NACS):**

- Four onboard NACs with additional NAC capability using output control modules (CMF-300 or CMF-300-6). The four Class B NACs can be converted to four Class A NACs with optional ZNAC-92 converter module.
- Silence Inhibit and Auto Silence timer options.
- Continuous, March Time, Temporal or California code for main circuit board NACs with two-stage capability.
- Selectable strobe synchronization per NAC.
- 2.5 amps maximum per each NAC circuit.

**NOTE:** Maximum 24VDC system power output is shared among all NAC circuits and 24VDC special-application auxiliary power outputs. Total available output is 3.0 amps. Using the optional XRM-24B transformer increases 24VDC output to 6.0 amps.

#### **PROGRAMMING AND SOFTWARE:**

- Autoprogram (learn mode) reduces installation time.
- Custom English labels (per point) may be manually entered or selected from an internal library file.
- Three Form-C relay outputs (two programmable).
- 99 software zones.
- Continuous fire protection during online programming at the front panel.
- Program Check automatically catches common errors not linked to any zone or input point.
- **OFFLINE PROGRAMMING:** Create the entire program in your office using a Windows®-based software package (order programming kit PS-Tools, separately). Upload/download system programming locally to the MS-9200UDLS Rev 3 in less than one minute.
- USB upload/download programming with standard Male-A to Male-B cable.

## **User Interface**

#### **LED INDICATORS**

- AC Power (green)
- Fire Alarm (red)

- Supervisory (yellow)
- Alarm Silenced (yellow)
- System Trouble (yellow)
- Maintenance/Presignal (yellow)
- Disabled (yellow)
- Battery Fault (yellow)
- Ground Fault (yellow)

#### **KEYPAD CONTROLS**

- Acknowledge/Step
- Alarm Silence
- Drill
- System Reset (lamp test)
- 16-key alpha-numeric pad (similar to telephone keypad)
- 4 cursor keys
- Enter

## **Product Line Information**

**MS-9200UDLS:** 198-point addressable Fire Alarm Control Panel, one SLC loop. Includes 80-character LCD display, single printed circuit board mounted on chassis, and cabinet. 120 VAC operation.

**MS-9200UDLSE:** Same as **MS-9200UDLS**, except with 240 VAC operation.

**4XTMF Reverse Polarity Transmitter Module:** Provides supervised output for local energy municipal box transmitter, alarm, and trouble.

**ZNAC-92:** Optional converter module which converts four (4) Style Y (Class B) NAC circuits to four (4) Style Z (Class A) circuits.

**PK-CD** Programming software for Windows®-based PC computer (cable not included), available on [www.firelite.com](http://www.firelite.com).

**DP-9692:** Optional dress panel for MS-9200UDLS Rev 3.

**TR-CE:** Optional trim Ring for semi-flush mounting.

**BB-26:** Battery backbox, holds up to two 25 AH batteries and CHG-75.

**BB-55F:** Battery box, houses two 55 AH batteries.

**CHG-75:** Battery charger for lead-acid batteries with a rating of 25 to 75 AH.

**CHG-120F:** Remote battery charging system for lead-acid batteries with a rating of 55 to 120 AH. Requires additional BB-55F for mounting.

**BAT Series:** Batteries, see data sheet DF-52397.

**XRM-24B(E):** Optional transformer. Increases system power output to 6.0 amps. Use XRM-24BE with MS-9200UDLS Rev 3(E).

**PRT/PK-CABLE:** Cable printer/personal computer interface cable; required for printer or for local upload/download programming and updating panel firmware.

**PRN-6F:** UL listed compatible event printer. Uses tractor-fed paper.

**IPDACT-2/2UD, IPDACT Internet Monitoring Module:** Mounts in bottom of enclosure with optional mounting kit (PN IPBRKT). Connects to primary and secondary DACT telephone output ports for internet communications over customer provided ethernet internet connection. Requires compatible Teldat VisorALARM Central Station Receiver. Can use DHCP or static IP. (See data sheet DF-60407 or DF-52424 for more information.)



**IPBRKT:** Mounting kit for IPDACT-2/2UD in common enclosure.

**IPSPLT:** Y-adaptor option allows connection of both panel dialer outputs to one IPDACT-2/2UD cable input.

### **COMPATIBLE ANNUNCIATORS**

**ANN-80(-W):** LCD Annunciator is a remote LCD annunciator that mimics the information displayed on the FACP LCD display. Recommended wire type is un-shielded. (Basic model is red; order -W version for white; see DF-52417.)

**ANN-LED:** Annunciator Module provides three LEDs for each zone: Alarm, Trouble and Supervisory. Ships with red enclosure (see DF-60241).

**ANN-RLED:** Provides alarm (red) indicators for up to 30 input zones or addressable points. (See DF-60241).

**ANN-RLY:** Relay Module, which can be mounted inside the cabinet, provides 10 programmable Form-C relays. (See DF-52431.)

**ROME:** Relay Option Module Enclosure. Provides one **ANN-RLY** Relay Module already installed. The ROME Series provides mounting space for one additional Relay Module or one addressable Multi-module. (See *Installation Sheet PN 53530*.)

**ANN-S/PG:** Serial/Parallel Printer Gateway module provides a connection for a serial or parallel printer. (See DF-52429.)

**ANN-I/O:** LED Driver Module provides connections to a user supplied graphic annunciator. (See DF-52430.)

**ACM-8RF:** Relay module provides 8 Form-C 5.0 amp relays.

**ACS-LED Zone Series:** LED-type fire annunciators capable of providing up to 99 software zones of annunciation. Available in increments of 16 or 32 points to meet a variety of applications.

**LDM Graphic Series:** Lamp Driver Module series for use with custom graphic annunciators.

**LCD-80F (Liquid Crystal Display) point annunciator:** 80-character, backlit LCD-type fire annunciators capable of displaying English-language text.

**NOTE:** For more information on Compatible Annunciators for use with the MS-9200UDLS Rev 3, see the following data sheets (document numbers) *ACM-8RF (DF-51555)*, *ACS/ACMSeries (DF-52378)*, *LDM Series (DF-51384)*, *LCD-80F (DF-52185)*.

### **LITESPEED COMPATIBLE ADDRESSABLE DEVICES**

All feature a polling LED and rotary switches for addressing.

**CP355:** Addressable low-profile ionization smoke detector.

**SD355:** Addressable low-profile photoelectric smoke detector.

**SD355T:** Addressable low-profile photoelectric smoke detector with thermal sensor.

**SD355R:** Addressable remote test capable detector for use with D355PL or DNR(W) duct smoke detector housings.

**H355:** Fast-response, low-profile heat detector.

**H355R:** Fast-response, low-profile heat detector with rate-of-rise option.

**H355HT:** Fixed high-temperature detector that activates at 190F/88C.

**AD355(A):** Low-profile, intelligent, "Adapt" multi-sensor detector (B350LP base included).

**BEAM355:** Intelligent beam smoke detector.

**BEAM355S:** Intelligent beam smoke detector with integral sensitivity test.

**D355PL:** Innovair Flex low-flow non-relay duct-detector housing. SD355R included.

**DNRW:** Innovair Flex low-flow non-relay duct-detector housing, with NEMA-4 rating. Watertight. (Order SD355R separately.)

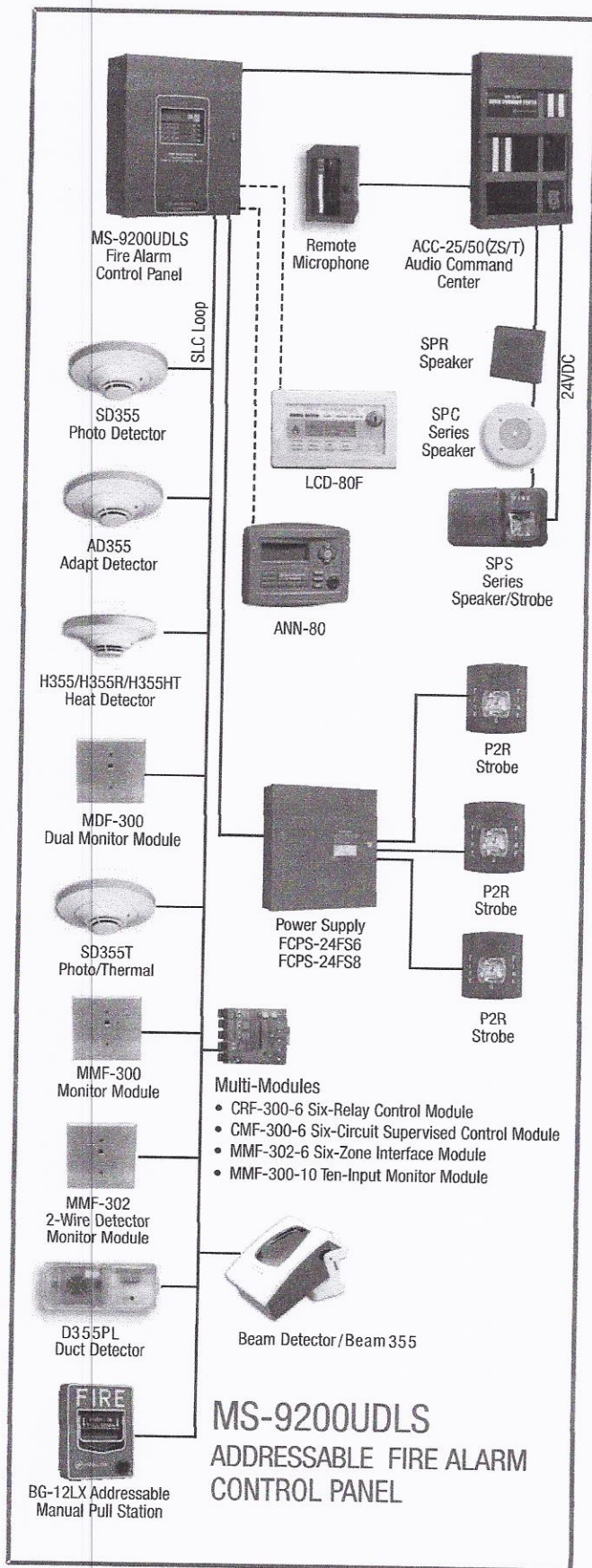
**MMF-300:** Addressable Monitor Module for one zone of normally-open dry-contact initiating devices. Mounts in standard 4.0" (10.16 cm.) box. Includes plastic cover plate and end-of-line resistor. Module may be configured for either a Style B (Class B) or Style D (Class A) IDC.

**MDF-300:** Dual Monitor Module. Same as MMF-300 except it provides two Style B (Class B) only IDCs.

**MMF-301:** Miniature version of MMF-300. Excludes LED and Style D option. Connects with wire pigtails. May mount in device backbox.

**MMF-302:** Similar to MMF-300, but may monitor up to 20 conventional two-wire detectors. Requires resettable 24 VDC power. Consult factory for compatible smoke detectors.





**CMF-300:** Addressable Control Module for one Style Y/Z (Class B/A) zone of supervised polarized Notification Appliances. Mounts directly to a 4.0" (10.16 cm.) electrical box. Notification Appliance Circuit option requires external 24 VDC to power notification appliances.

**CRF-300:** Addressable relay module containing two isolated sets of Form-C contacts, which operate as a DPDT switch. Mounts directly to a 4.0" (10.16 cm.) box, surface mount using the SMB500.

**BG-12LX:** Addressable manual pull station with interface module mounted inside.

**I300:** Fault Isolator Module. This module isolates the SLC loop from short circuit conditions (required for Style 6 or 7 operation).

**SMB500:** Used to mount all modules except the MMF-301 and M301.

**MMF-300-10:** Ten-input monitor module. Mount one or two modules in a BB-2F cabinet (optional). Mount up to six modules on a CHS-6 chassis in a BB-6F.

**MMF-302-6:** Six-zone interface module for compatible conventional two-wire detectors. Mount one or two modules in a BB-2F cabinet (optional). Mount up to six modules on a CHS-6 chassis in a BB-6F.

**CMF-300-6:** Six-circuit supervised control module. Mount one or two modules in a BB-2F cabinet (optional). Mount up to six modules on a CHS-6 chassis in a BB-6F.

**CRF-300-6:** Six Form-C relay control module. Mount one or two modules in a BB-2F cabinet (optional). Mount up to six modules on a CHS-6 chassis in a BB-6F.

**NOTE:** 1) For more information on Compatible Addressable Devices for use with the MS-9200UDLS Rev 3, see the following data sheets (document numbers): AD355 (DF-52324), BG-12LX (DF-52013), CMF-300-6 (DF-52365), CRF-300-6 (DF-60379), CMF/CRF Series (DF-52130), CP355 (DF-52383), D355PL (DF-52398), H355 Series (DF-52385), I300 (DF-52389), MMF-300 Series/MDF-300 (DF-52121), MMF-300-10 (DF-52347), MMF-302-6 (DF-52356), SD355/SD355T (DF-52384). 2) Legacy 300 Series detection devices such as the CP300/CP350, SD300(T)/SD350(T) and older modules such as the M300, M301, M302, C304, and BG-10LX are **not compatible** with LiteSpeed polling. If the SLC contains one of these devices, polling must be set for standard LiteSpeed protocol. Please consult factory for further information on previous 300 Series devices.

## Wiring Requirements

While shielded wire is not required, it is recommended that all SLC wiring be twisted-pair to minimize the effects of electrical interference. Wire size should be no smaller than 18 AWG (0.78 mm<sup>2</sup>) and no larger than 12 AWG (3.1 mm<sup>2</sup>). The wire size depends on the length of the SLC circuit. Refer to the panel manual for wiring details.







# SYSTEM SPECIFICATIONS

## System Capacity

- Intelligent Signalling Line Circuits..... 1
- Addressable device capacity ..... 198
- Programmable software zones ..... 99
- ACS Annunciators ..... 32
- ANN-bus devices ..... 16

## Electrical Specifications

**AC Power:** MS-9200UDLS Rev 3: 120 VAC, 60 Hz, 3.0 amps. MS-9200UDLS Rev 3E: 240 VAC, 50 Hz, 1.5 amps. Wire size: minimum 14 AWG (2.00 mm<sup>2</sup>) with 600 V insulation.

**Battery charger capacity:** 7 AH - 18 AH batteries. Up to two 18 Ah batteries can be housed in the FACP cabinet. Larger batteries require an external battery charger such as the CHG-75 or CHG-120, and a separate battery cabinet such as the BB-26 or NFS-LBB.

**Communication Loop:** Supervised and power-limited.

**Notification Appliance Circuits:** Each terminal block provides connections for two Style Y (Class B) for a total of four Style Y (Class B) or with an optional ZNAC-92 module converts to four Style Z (Class A) NACs. Maximum signaling current per circuit: 2.5 amps. End-of-Line Resistor: 4.7K ohm, 1/2 watt (P/N 71252 UL listed) for Style Y (Class B) NAC. Refer to panel documentation and *Fire-Lite Device Compatibility Document* for listed compatible devices.

**Two Programmable Relays and One Fixed Trouble Relay:** Contact rating: 2.0 amps @ 30 VDC (resistive), 0.5 amps @ 30 VAC (resistive). Form-C relays.

**Special Application Non-resettable Power (24 VDC Nominal):** Jumper selectable (JP4) for conversion to resettable power output. Up to 1.0 amp total DC current available from each output. Power-limited.

**Special Application Resettable Power (24 VDC nominal):** Jumper selectable (JP6) for conversion to non-resettable power. Up to 1.0 amp total DC current available. Refer to the *Fire-Lite Device Compatibility Document* for listed compatible devices.

**Remote Sync Output:** Remote power supply synchronization output. Nominal special application power: 24 VDC. Maximum current: 300 mA. End-of-Line Resistor: 4.7K ohm. Output linked to NAC 1 control. Supervised and power-limited.

**Telephone Interface:** Unless used with Teldat VISORALARM, requires dedicated business telephone number with a minimum of 5 volts DC (off-hook voltage). Obtain dedicated phone line directly from your local phone company. Do not use shared phone lines or PBX (digital) type phone line extensions.

## Cabinet Specifications

**Door:** 19.26" (48.92 cm.) high x 16.82" (42.73 cm.) wide x 0.12" (.30 cm.) deep. **Backbox:** 19.00" (48.26 cm.) high x

16.65" (42.29 cm.) wide x 5.20" (13.34 cm.) deep. **Trim Ring (TR-CE):** 22.00" (55.88 cm.) high x 19.65" (49.91 cm.) wide.

## Shipping Specifications

**Weight:** 26.9 lbs. (12.20 kg.) **Dimensions:** 20.00" (50.80 cm.) high x 22.5" (57.15 cm.) wide x 8.5" (21.59 cm.) deep.

## Temperature and Humidity Ranges

This system meets NFPA requirements for operation at 0 – 49°C/32 – 120°F and at a relative humidity 93% ± 2% RH (noncondensing) at 32°C ± 2°C (90°F ± 3°F). However, the useful life of the system's standby batteries and the electronic components may be adversely affected by extreme temperature ranges and humidity. Therefore, it is recommended that this system and its peripherals be installed in an environment with a normal room temperature of 15 – 27°C/60 – 80°F.

## NFPA Standards

The MS-9200UDLS Rev 3 complies with the following NFPA 72 Fire Alarm Systems requirements:

- **LOCAL** (Automatic, Manual, Waterflow and Sprinkler Supervisory).
- **AUXILIARY** (Automatic, Manual and Waterflow) (requires 4XTMF).
- **REMOTE STATION** (Automatic, Manual, Waterflow and Sprinkler Supervisory) (Where a DACT is not accepted, the alarm, trouble and supervisory relays may be connected to UL 864 listed transmitters. For reverse polarity signaling of alarm and trouble, 4XTMF is required.)
- **PROPRIETARY** (Automatic, Manual, Waterflow and Sprinkler Supervisory).
- **CENTRAL STATION** (Automatic, Manual, Waterflow and Sprinkler Supervisory).
- **OT, PSDN** (Other Technologies, Packet-switched Data Network)

## Agency Listings and Approvals

The listings and approvals below apply to the basic MS-9200UDLS Rev 3 control panel. In some cases, certain modules may not be listed by certain approval agencies, or listing may be in process. Consult factory for latest listing status.

- **UL Listed:** S624
- **FM approved**
- **CSFM:** 7165-0075:0208
- **MEA:** 120-06-E

For ULC-listed version, see DF-60599.

FireLite® Alarms® is a registered trademark of Honeywell International Inc. Wheelock® is a registered trademark of and Exceder™ is a trademark of Cooper Notification.  
©2010 by Honeywell International Inc. All rights reserved. Unauthorized use of this document is strictly prohibited.



This document is not intended to be used for installation purposes.  
We try to keep our product information up-to-date and accurate.  
We cannot cover all specific applications or anticipate all requirements.  
All specifications are subject to change without notice.



Made in the U.S. A.

For more information, contact Fire•Lite Alarms. Phone: (800) 627-3473, FAX: (877) 699-4105.  
[www.firelite.com](http://www.firelite.com)



# LCD-80F

## 80-Character Liquid Crystal Display Remote Fire Annunciators



### General

The **LCD-80F** is a compact, cost-effective, 80-character, backlit LCD remote Fire Annunciator for use with the Fire•Lite **MS-9200UD Series** and **MS-9600 Series** Fire Alarm Control Panels (FACPs). The LCD-80F displays complete system point status information and includes control switches for remote control of critical system functions.

Up to 32 LCD-80Fs may be connected onto the EIA-485 terminal port of each FACP. The LCD-80F requires no programming, which saves time during system commissioning.

### Features

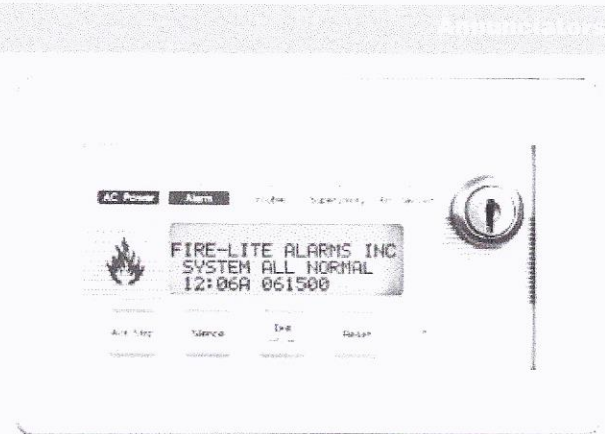
- 80-character Liquid Crystal Display.
- Mimics all display information from the host panel.
- Control switches for System Acknowledge, Signal Silence, Drill and Reset with enable key.
- System status LEDs for Power, Alarm, Trouble, Supervisory and Alarm Silenced.
- No programming necessary — LCD-80F connects to the terminal port (TB7).
- Displays device type identifiers, individual point alarm, trouble or supervisory, zone and custom alpha labels.
- Time-and-date display field.
- Aesthetically pleasing design.
- May be powered from the host FACP or by remote power supply (requires 24 VDC).
- Up to 32 LCD-80F annunciators per FACP.
- Plug-in terminal blocks for ease of installation and service.
- Can be remotely located up to 6,000 feet (1828.8 m) from the FACP.
- Local piezo sounder with alarm and trouble resound.
- Semi-flush mounts to 2.188" (5.556 cm) minimum deep, three-gang electrical box (Fire•Lite PN **10103**) or three-gangable electrical switchbox.
- Surface-mounts to Fire•Lite PN **SBB-3** surface backbox.

### Operation

The LCD-80F annunciator provides the FACP with point annunciation with full display text on an 80-character LCD display. The LCD-80F also provides an array of LEDs to indicate system status, and includes control switches for remote control of critical system functions.

The LCD-80F provides the FACP with up to 32 remote serially connected annunciators. All field-wiring terminations on the LCD-80F use removable, compression-type terminal blocks for ease of wiring and circuit testing.

Communication between the FACP and the annunciators is accomplished over an EIA-485 serial interface, which greatly reduces wire and installation cost over traditional systems. Six wires total are required: four for the EIA-485 communications (two in and two return); and two for the 24 VDC regulated power. Dip switches control local functions such as: piezo disable, control switches/key-switch disable, transmit/receive mode.



LCD-80F

### Installation

The LCD-80F can be semi-flush mounted to a 2.188" (5.556 cm) minimum deep, three-gang electrical box (Fire•Lite PN 10103) or three-gangable electrical switchboxes. Alternately, an SBB-3 surface backbox is available for surface-mount applications.

### Product Line Information

**LCD-80F:** 80 character, backlit, LCD Fire Annunciator with control switches for remote control of system functions, and key-switch lock.

**LCD-80FC:** ULC-listed version; see DF-60576 for details.

**10103:** Three-gang electrical box, minimum 2.188" (5.556 cm) deep, for semi-flush mount applications.

**SBB-3:** Three-gang surface backbox for surface-mount applications.

### Agency Listings And Approvals

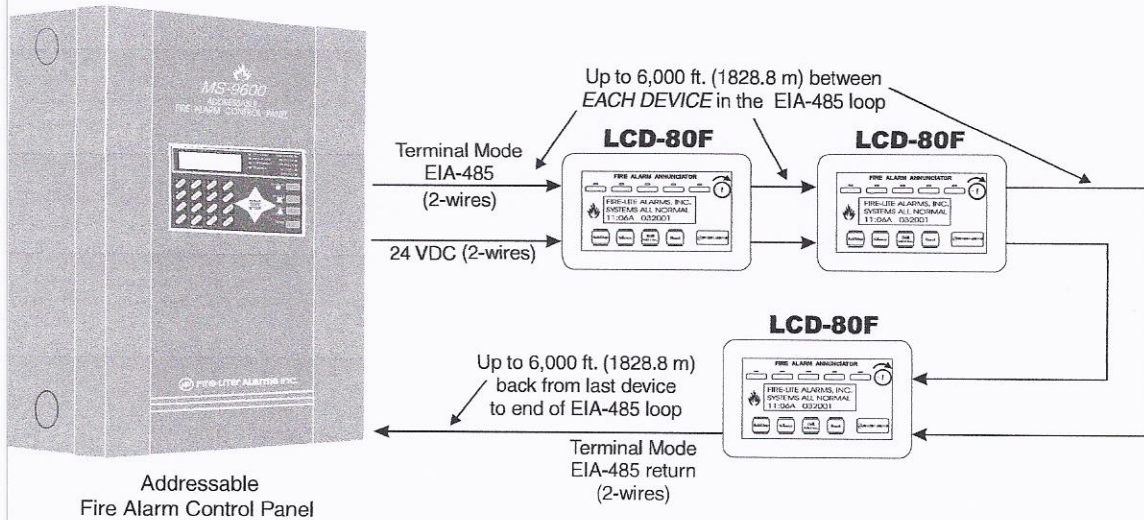
These listings and approvals apply to the modules specified in this document. In some cases, certain modules or applications may not be listed by certain approval agencies, or listing may be in process. Consult factory for latest listing status.

- **UL Listed:** S232
- **MEA Listed:** 72-01-E
- **CSFM:** 7120-1574:179
- **FM Approved**

*NOTE: For ULC-listed version, see DF-60576.*

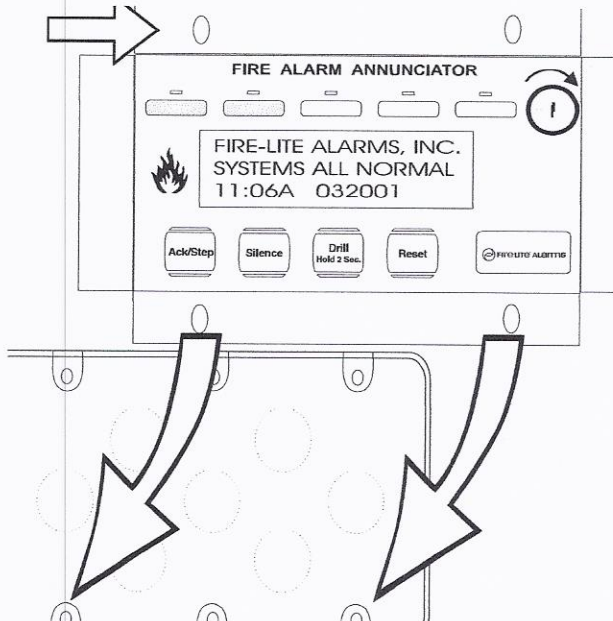


## LCD-80F TERMINAL MODE WIRING EXAMPLE



### NOTE:

- EIA-485: Maximum of 6,000 feet (1828.8 m) cable length from FACP to LCD-80F annunciators, 6,000 feet cable length between each LCD-80F and 6,000 feet from the last LCD-80F back to the FACP. Circuit is power-limited.
- Up to 32 LCD-80F annunciators may be used on the EIA-485 circuit. When multiple LCD-80Fs are used, the FACP will require additional power supplies (refer to panel documentation).
- Between each LCD-80F annunciator are four wires: a twisted-shielded pair for data communications and a pair for 24 VDC power. The return circuit only requires two wires (twisted) for data communication supervision, wired from the last LCD-80F annunciator on the loop.



5.813" (14.764 cm) wide x 4.0" (10.16 cm) high x minimum 2.188" (5.556 cm) deep, three-gang electrical box (Fire•Lite PN 10103, shown above).

### Mounting To Backbox(es)

The LCD-80F annunciators can be semi-flush mounted in a three-gang electrical box with a minimum depth of 2.188" (5.556 cm) (Fire•Lite PN 10103).

The LCD-80F annunciators can be mounted in three-gangable electrical switchboxes connected together.

**NOTE:** Alternately, LCD-80F annunciators can be mounted to the SBB-3 surface backbox for surface-mount applications.

**NOTE:** This annunciator may not fit easily into a standard 3-gang electrical box if locking clamps are used to secure wiring entering the rear or side knockouts. Only use the TOP or BOTTOM knockouts to bring wiring into a standard 3-gang electrical box.

Fire•Lite® is a registered trademark of Honeywell International Inc.  
©2010 by Honeywell International Inc. All rights reserved. Unauthorized use of this document is strictly prohibited.

**ISO 9001**  
CERTIFIED  
ENGINEERING & MANUFACTURING  
QUALITY SYSTEMS

This document is not intended to be used for installation purposes.  
We try to keep our product information up-to-date and accurate.  
We cannot cover all specific applications or anticipate all requirements.  
All specifications are subject to change without notice.



Made in the U.S.A.

For more information, contact Fire•Lite Alarms. Phone: (800) 627-3473, FAX: (877) 699-4105.  
www.firelite.com





# CO1224T and CO1224TR Carbon Monoxide Detectors with RealTest® Technology

*The System Sensor CO1224T and CO1224TR (round) Carbon Monoxide (CO) Detectors use a highly accurate and reliable electrochemical sensing cell to provide early warning of dangerous CO levels.*

## Features

- RealTest® enables a functional test using canned CO
- Full compliance with UL 2075
- A code-required trouble relay
- Wiring supervision with SEMS terminals
- A six-year end-of-life timer
- 12/24 VDC
- A low current draw of 20 mA in standby and 40 mA in alarm
- Versatile mounting for wall and ceiling
- Accurate and reliable electrochemical sensing technology
- Optional CO-PLATE CO Detector Replacement Plate to upgrade previously installed competitor detectors to the CO1224T

**With RealTest® technology,** the CO gas sensing cell used in the CO1224T and CO1224TR CO detectors can be tested using a CO gas agent, fully meeting the requirements of NFPA 720: 2009. Simply put the detector into RealTest mode, spray a small amount of CO into the detector per the installation instructions, and within seconds the detector will alarm, indicating successful gas entry. (See the reverse page or the user manual for complete instructions.)

When dangerous amounts of CO are detected, the CO1224T and CO1224TR detectors alert residents by sounding and flashing a temp 4 signal alarm. With 24/7 central station monitoring, residents are guaranteed protection whether they are away from home, sleeping, or already suffering from the effects of CO.

The CO1224T and CO1224TR are designed for system operation. These detectors are fully listed to UL 2075 and offer a code-required trouble relay to send a sensor failure or end-of-life signal to the control panel and the central station. The CO1224T and CO1224TR also use SEMS-type terminal Phillips head screws for quicker and more positive wiring connections and code-required wiring supervision. With a low current draw, these detectors enable more devices to be connected to the panel, limiting the need to purchase extra power supplies or more expensive panels. As 12/24 VDC detectors, the CO1224T and CO1224TR will operate on most industry security and fire alarm control panels.

## Agency Listings



# CO1224T and CO1224TR Carbon Monoxide Detector Specifications

## Architectural/Engineering Specifications

Carbon monoxide (CO) detector shall be a system-connected System Sensor model number CO1224T or CO1224TR listed to Underwriters Laboratories UL 2075 for Gas and Vapor Detectors and Sensors. The detector shall be equipped with a sounder and a trouble relay. The detector's base shall be able to mount to a single-gang electrical box or direct (surface) mount to the wall or ceiling. Wiring connections shall be made by means of SEMS screws. The detector shall provide dual-color LED indication that blinks to indicate normal standby, alarm, or end-of-life. When the sensor supervision is in a trouble condition, the detector shall send a trouble signal to the panel. When the detector gives a trouble or end-of-life signal, the detector shall be replaced. The detector shall provide a means to test CO gas entry into the CO sensing cell. The detector shall provide this with a test mode that accepts CO gas from a test agent and alarms immediately upon sensing CO entry. The detector shall perform in the detection of CO up to 12,000 feet above sea level and alarm within the time specified by ANSI/UL 2034 for CO concentrations of 70, 150 and 400 parts per million (ppm), as verified by a Nationally Recognized Test Laboratory.

## Electrical Specifications

Operating Voltage	12/24 VDC
Audible Signal	85 dB in alarm
Standby Current	20 mA
Alarm Current	40 mA (75 mA test)
Alarm Contact Ratings	0.5 A @ 30 VDC
Trouble Contact Ratings	0.5 A @ 30 VDC

## Physical Specifications

Size: CO1224T	Length: 5.1 in, Width: 3.3 in, Height: 1.3 in
CO1224TR	Diameter: 6 in, Height: 1.3 in
Approximate Weight	CO1224T: 7 oz ; CO1224TR: 11 oz
Operating Temperature Range	32°F to 104° F (0°C to 40° C)
Operating Humidity Range	22 to 90% RH
Input Terminals	14 to 22 AWG
Mounting	Single-gang back box; surface mount to wall or ceiling

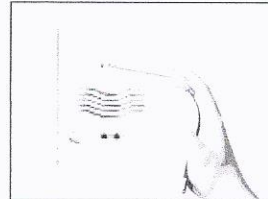
## Operation Modes

Operation Mode	Green LED	Red LED	Sounder
Normal (standby)	Blink 1 per minute	—	—
Alarm	—	Blink in temp 4 pattern	Sound in temp 4 pattern

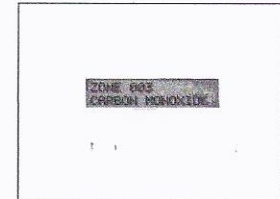
**RealTest® Feature:** The System Sensor CO1224T and CO1224TR Carbon Monoxide Detectors with RealTest enable evaluation of the functionality of the CO sensing cell using a canned CO test agent.



Push and hold the Test/Hush button for two seconds to enter RealTest mode. The green LED will flash once every second to indicate RealTest mode has started.



Spray canned CO agent into the detector.



Verify CO sensing at the control panel. The detector will automatically exit RealTest alarm mode after about 20-60 seconds.

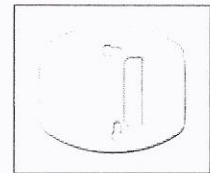
**NOTE:** Check with local codes and the AHJ to determine if a functional gas test is desired for an installation.

**Hush Feature:** Pushing the Test/Hush button will silence the sounder for 5 minutes (except in RealTest mode).

**Trouble Feature:** When the detector is in a trouble condition, it will send a trouble signal to the panel.

**End-of-Life Timer:** After the detector's internal sensor has reached the end of its life, a trouble signal will be sent to the panel to indicate it is time to replace the detector. An electrochemical CO detector lifespan is about six years. The detector must be replaced by the date marked on the inside of the product.

**CO-PLATE:** System Sensor also offers the CO-PLATE CO Detector Replacement Plate to cover the footprint (when necessary) of previously installed competitive carbon monoxide detectors that require replacement.



CO-PLATE

## Ordering Information

Part No.	Description
CO1224T	12/24 volt, 4-wire system-monitored carbon monoxide detector with RealTest® Technology
CO1224TR	12/24 volt, 4-wire system-monitored round carbon monoxide detector with RealTest® Technology
CO-PLATE	CO detector replacement plate to cover the footprint of previously installed competitive detectors as necessary



3825 Ohio Avenue • St. Charles, IL 60174  
 Phone: 800-SENSOR2 • Fax: 630-377-6495  
[www.systemsensor.com](http://www.systemsensor.com)

©2012 System Sensor.  
 Product specifications subject to change without notice. Visit [systemsensor.com](http://systemsensor.com)  
 for current product information, including the latest version of this data sheet.  
 CDS72701 • 9/15



# FCPS-24FS8

## 8-Amp, 24-Volt Power Supply



Power Supplies/Accessories

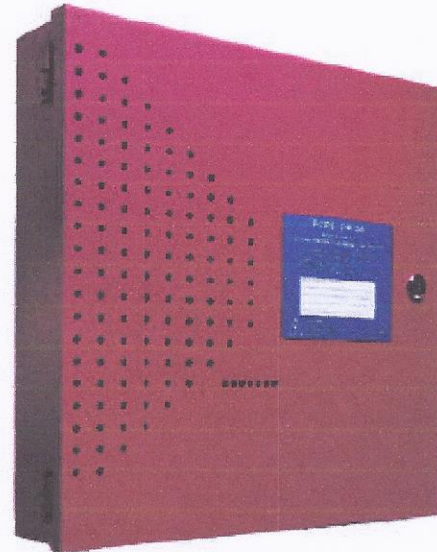
### General

The Fire-Lite FCPS-24FS8(C/E) is a compact, cost-effective, 8-amp remote power supplies with battery charger. The FCPS-24FS8C/E may be connected to any 12 or 24 volt fire alarm control panel (FACP) or may stand-alone. Primary applications include notification appliance (bell) circuit (NAC) expansion (to support ADA requirements and NAC synchronization) or auxiliary power to support 24 volt system accessories. The FCPS provides *regulated and filtered* 24 VDC power to four notification appliance circuits configured as either two Class B (Style Y) and Class A (Style Z, with ZNAC-4 option module) or four class B only. Alternately, the four outputs may be configured as any combination of resettable/non-resettable power outputs (optimal for powering four-wire smoke detectors. The FCPS-24FS8(C/E) also contains a battery charger capable of charging up to 18.0 Amp hour batteries. FCPS-24FS8C/E) is ULC-listed.

**NOTE:** Unless otherwise specified, the term FCPS-24FS8 used in this document refers to the standard FCPS-24FS8, FCPS-24FS8C, FCPS-24FS8E

### Features

- UL-Listed Notification Appliance Circuit (NAC) synchronization using System Sensor, Wheelock, or Gentex "Commander<sup>2</sup>" appliances.
- Operates as a "sync-follower" or as a "sync-generator" (default). See note on page 2.
- Contains two fully-isolated input/control circuits - triggered from FACP NAC (NAC expander mode) or jumped permanently "ON" (stand-alone mode).
- Two Class B (Style Y) or Class A (Style Z, with ZNAC-4 module) NACs (circuits 1 & 3)
- 8-amp full load output, with 3 amps maximum/circuit, in NAC expander mode (UL 864).
- 6-amp continuous output in stand-alone mode (UL 1481).
- Compatible with coded inputs; signals passed through.
- Optional power-supervision relay (EOLR-1).
- In stand-alone mode, output power circuits may be configured as: resettable, (reset line from FACP required), non-resettable, or a mix of two and two.
- Fully regulated and filtered power output - optimal for powering four-wire smoke detectors, annunciators, and other system peripherals requiring regulated/filtered power.
- Power-limiting technology meets UL power-limiting requirements.
- Form-C normally-closed trouble relay.
- Fully supervised power supply, battery, and NACs.
- Selectable earth fault detection.
- AC trouble report selectable for immediate 2-hour delay.
- Works with virtually any UL 864 fire alarm control which utilizes an industry-standard reverse-polarity notification circuit (including unfiltered and unregulated bell power).
- Requires input trigger voltage of 9 - 32 VDC.
- Self-contained in compact, locking cabinet - 15"H x 14.5"W x 2.75"D (cm: 38.1H x 36.83W x 6.985D).



- Includes integral battery charger capable of charging up to 18 AH batteries. Cabinet capable of housing 7.0 AH batteries.
- Battery charger may be disabled via DIP switch for applications requiring larger batteries.
- Fixed, clamp-type terminal blocks accommodate up to 12 AWG (3.1mm<sup>2</sup>) wire.

### Specifications

#### Primary (AC) Power:

- FCPS-24FS8: 120 VAC, 60 Hz, 3.2A maximum.
- FCPS-24FS8/E: 240 VAC, 50 Hz, 1.6A maximum.
- Wire Size: minimum #14 AWG (2.0mm<sup>2</sup>) with 600 V insulation.

#### Control Input Circuit:

- **Trigger Input Voltage:** 9 to 32 VDC.
- **Trigger Current:** 2.0 mA (16 - 32 V); Per Input: 1.0 mA (9 - 16 V).

**Trouble Contact Rating:** 5 A at 24 VDC.

**Auxiliary Power Output:** Specific application power 500 mA maximum.

#### Output Circuits:

- +24 VDC filtered, regulated.
- 3.0 A maximum for any one circuit.
- Total continuous current for all outputs (stand-alone mode):
  - FCPS-24FS8: 6.0 A maximum.
- Total short-term current for all outputs (NAC expander mode):
  - FCPS-24FS8: 8.0 A maximum.



### Secondary Power (Battery) Charging Circuit:

- Supports lead-acid batteries only.
- Float-charge voltage: 27.6 VDC.
- Maximum current charge: 250 mA.
- Maximum battery capacity: 7.0 AH.

### Applications

**Example 1:** Expand notification appliance power an additional 8.0 A. Use up to four Class B (Style Y) outputs or four Class A (Style Z) outputs (using ZNAC-4). For example, the FACP notification appliance circuits will activate the FCPS when reverse-polarity activation occurs. Trouble conditions on the FCPS are sensed by the FACP through the notification appliance circuit.

**Example 2:** Use the FCPS to expand auxiliary regulated 24-volt system power up to 6.0 A. Both resettable and non-resettable power options are available. Resettable outputs are created by connecting the resettable output from the FACP to one or both of the FCPS inputs.

**Example 3:** Use addressable control modules to activate the FCPS instead of activating it through the FACP notification appliance circuits. This typically allows for mounting the FCPS at greater distances\* away from the FACP while expanding system architecture in various applications.

For example, an addressable control module is used to activate the FCPS, and an addressable monitor module is used to sense FCPS trouble conditions. Local auxiliary power output from the FCPS provides power to the addressable control module.

*\*NOTE: Addressable FACP's are capable of locating control and monitor modules at distances of up to 10,000 feet (3,046 meters) .*

### Sync Follower/Generator Note

In some installations, it is necessary to synchronize the flash timing of all strobes in the system for ADA compliance. Strobes accomplish this by monitoring very short timing pulses on the NAC power which are created by the FACP. When installed at the end of a NAC wire run, the FCPS-24FS8 can track (i.e. "follow") the strobe synchronization timing pulses on the existing NAC wire run. This maintains the overall system flash timing of the additional strobes attaches to the FCPS.

When the FCPS-24FS8 is configured (via DIP switch settings) as a "sync follower," the FCPS's NAC outputs track the strobe synchronization pulses present at the FCPS's sync input terminal. The pulses originate from an upstream FACP or other power supply.

When the FCPS-24FS8 is configured (via DIP switch settings) as a "sync generator," the FCPS's sync input terminals are not used. Rather, the FCPS is the originator of the strobe synchronization pulses on the FCPS's NAC outputs. In "sync generator" mode, the sync type (System Sensor, Wheelock, or Gentex) is selectable via DIP switch settings.

### Standards and Codes

The FCPS-24FS8 complies with the following standards:

- **NFPA 72** National Fire Alarm Code.
- **UL 864** Standard for Control Units for Fire Alarm Systems (NAC expander mode).
- **UL 1481** Power Supplies for Fire Alarm Systems.

### Agency Listings and Approvals

These listings and approvals apply to the modules specified in this document. In some cases, certain modules or applications may not be listed by certain approval agencies, or listing may be in process. Consult factory for latest listing status.

- **UL Listed:** S2424
- **ULC Listed:** S2424
- **CSFM Approved:** 7315-0075:206
- **MEA:** 219-02E
- **FM Listed**

### Ordering Information

**FCPS-24FS8:** 6.0 A, 120 VAC remote charger power supply. Includes main printed circuit board, transformers, enclosure (15"H x 14.5"W x 2.75"D [cm: 38.1H x 36.83W x 6.985D]), and installation instructions.

**FCPS-24FS8** is ULC-listed.

**FCPS-24FS8E:** 6.0 A, 240 VAC remote charger power supply. Includes main printed circuit board, transformers, enclosure (15"H x 14.5"W x 2.75"D [cm: 38.1H x 36.83W x 6.985D]), and installation instructions.

**ZNAC-4:** Class A (Style Y) NAC option module.

**EOLR-1:** 12/24 VDC end-of-line relay for monitoring four-wire smoke detector power.

**BAT-1270:** Battery, 12-volt, 7.0 AH (two required).

**PS-1270:** Battery, 12-volt, 7.0 AH (two required).

**90286:** Optional module mounting kit, is required to install an addressable module on the power supply main circuit board.



# H355(A) Series

## Intelligent Addressable Thermal Detectors



Addressable Devices

### General

The Fire-Lite Alarms H355 Series thermal detectors are addressable sensors that use a state-of-the-art thermistor sensing circuit for fast response. These sensors are designed to provide open-area protection and are intended for use with the Fire-Lite's addressable Fire Alarm Control Panels (FACPs).

The H355(A) and H355R(A) sensors provide fixed temperature alarm detection at 135°F (57°C). The H355R(A) sensor also responds to rate-of-rise conditions of greater than 15°F (8.3°C) per minute. The H355HT(A) is a fixed high-temperature detector that activates at 190°F (88°C). These thermal detectors provide cost effective, addressable property protection in a variety of applications.

Two LEDs on each sensor light to provide a local, visible sensor indication. Remote LED annunciator capability is available as an optional accessory (P/N RA400Z).

### Features

#### SLC loop:

- Two-wire SLC loop connection.
- Unit uses base for wiring.

#### Addressing:

- Addressable by device.
- Direct Decade entry of address: 01 – 159 with MS-9600, 01 – 99 with MS-9200UD.

#### Architecture:

- Sleek, low-profile, stylish design.
- State-of-the-art thermistor technology for fast response.
- Integral communications and built-in device-type identification.
- Built-in tamper resistant feature.
- Built-in functional test switch activated by external magnet.

#### Operation:

- Factory preset at 135°F (57°C) for the H355(A) and H355R(A); 190°F (88°C) for the H355HT(A).
- Rate-of-rise triggers at 15°F (8.3°C) per minute for the H355R(A).
- 360°-field viewing angle of the visual alarm indicators (two bicolor LEDs). LEDs blink green in Normal condition and turn on steady red in Alarm.
- Visible LEDs "blink" every time the unit is addressed.

#### Mechanicals:

- Sealed against back pressure.
- SEMS screws for wiring of the separate base.
- Designed for direct-surface or electrical-box mounting.
- Plugs into separate base for ease of installation and maintenance.
- Separate base allows interchange of photoelectric, ionization and thermal sensors.

#### Other system features:

- Remote test feature from the panel.
- Walk test with address display.
- Low standby current.



H355 with B350LP base

- 94-5V plastic flammability rating.

#### Options:

- Remote LED output connection to optional RA400Z remote LED annunciator.
- Recessed (RMK400) or surface (SMK400E) base mounting kits.

### Installation

H355(A) Series plug-in intelligent thermal detectors use a detachable base to simplify installation, service and maintenance. Installation instructions are shipped with each detector.

Mount base (all base types) on box that is at least 1.5" (3.81 cm) deep. Suitable boxes include:

- 4.0" (10.16 cm) square box.
- 3.5" (8.89 cm) or 4.0" (10.16 cm) octagonal box.
- Single-gang box (except relay or isolator base).

**NOTE:** Because of the inherent supervision provided by the SLC loop, end-of-line resistors are not required. Wiring "T-taps" or branches are permitted for Style 4 (Class "B") wiring only.

### Applications

Use thermal detectors for protection of property.

### Construction

These detectors are constructed of off-white Bayblend®. The H355(A) Series plug-in intelligent thermal detectors are designed to commercial standards and offer an attractive appearance.

### Operation

Each H355(A) Series detector uses one of 159 (MS-9600) or 99 (MS-9200UD) possible addresses on a control panel SLC loop. It responds to regular polls from the control panel and reports its type and the status. If it receives a test command from the panel (or a local magnet test), it stimulates its electronics and reports an alarm. It blinks its LEDs when polled and turns the LEDs on when commanded by the panel. The H355(A) Series offers features and performance that represent the latest in thermal detector technology.



## Specifications

**Diameter:** 6.1" (15.5 cm) installed in B350LP(A).

**Height:** 2.1" (5.33 cm).

**Weight:** 4.8 oz. (137 g).

**Installation temperature:** -4°F to 100°F (-20°C to 38°C).

**Humidity range:** 10% to 93% relative humidity (noncondensing).

**Voltage range:** 15 to 32 VDC peak.

**Standby current:** 300  $\mu$ A @ 24 VDC (one communication every five seconds with LED blink enabled).

**LED current:** 6.5 mA @ 24 VDC.

**Mounting:** B350LP(A) flanged base, included.

**Fixed-temperature setpoint:** 135°F (57°C) for the H355(A) and H355R(A); 190°F (88°C) for the H355HT(A).

**Rate-of-rise detection:** responds to greater than 15°F (8.3°C) per minute.

## Listings and Approvals

Listings and approvals below apply to the H355(A) Series detectors. In some cases, certain modules may not be listed by certain approval agencies, or listing may be in process. Consult factory for latest listing status.

- MEA approved: file 387-02-E
- UL Listed, file S2517
- ULC Listed (models H355A, H355RA, H355HTA)
- CSFM approved: file 7270-0075:195
- FM approved

## Product Line Information

**NOTE:** "A" suffix indicates ULC-Listed model.

**H355:** Intelligent thermal sensor; B350LP base included.

**H355A:** Same as H355 but with ULC Listing (B350LPA base included).

**H355R:** Same as H355 with *rate-of-rise* feature; B350LP base included.

**H355RA:** Same as H355R but with ULC Listing (B350LPA base included).

**H355HT:** Intelligent fixed high-temperature thermal detector; B350LP base included.

**H355HTA:** Same as H355HT but with ULC Listing (B350LPA base included).

**B350LP(A):** Plug-in detector base (included). **Dimensions:** 6.1" (15.5 cm). **Mounting:** 4.0" (10.16 cm) square box with or without plaster ring, 4.0" (10.16 cm) octagonal box, 3.5" (8.89 cm) octagonal box, or single-gang box. All mounting boxes have a minimum depth of 1.5" (3.81 cm).

**B224RB(A):** Plug-in System Sensor *relay* detector base. **Diameter:** 6.2" (15.75 cm). **Mounting:** 4.0" (10.16 cm) square box with or without plaster ring, 4.0" (10.16 cm) octagonal box, or 3.5" (8.89 cm) octagonal box. All mounting boxes have a minimum depth of 1.5" (3.81 cm).

**B224B(A):** Plug-in System Sensor *isolator* detector base. Maximum 25 devices between isolator bases (*see DF-52389*). **Diameter:** 6.2" (15.75 cm). **Mounting:** 4.0" (10.16 cm) square box with or without plaster ring, 4.0" (10.16 cm) octagonal box, or 3.5" (8.89 cm) octagonal box. All mounting boxes have a minimum depth of 1.5" (3.81 cm).

**B501BH-2(A):** Plug-in System Sensor standard *sounder* base. **Diameter:** 6.0" (15.24 cm). **Mounting:** 4.0" (10.16 cm) square box with or without plaster ring. Mounting boxes have a minimum depth of 1.5" (3.81 cm).

**B501BHT-2(A):** Plug-in System Sensor *temporal tone* sounder base.

### ACCESSORIES:

**RA400Z(A):** Remote LED annunciator. 3 – 32 VDC. Mounts to a U.S. single-gang electrical box. For use with B501(A) and B350LP(A) bases only.

**SMK400E:** Surface mounting kit provides for entry of surface wiring conduit. For use with B501(A) base only.

**RMK400:** Recessed mounting kit. For use with B501(A) base only.

**M02-04-00:** Test magnet.

**M02-09-00:** Test magnet with telescoping handle.

**XR2B:** Detector removal tool. Allows installation and/or removal of detector heads from bases in high ceiling applications.

**XP-4:** Extension pole for XR2B. Comes in three 5-foot (1.524 m) sections.

Fire•Lite® Alarms is a registered trademark of Honeywell International Inc. Bayblend® is a registered trademark of Bayer Corporation. ©2008 by Honeywell International Inc. All rights reserved. Unauthorized use of this document is strictly prohibited.



This document is not intended to be used for installation purposes.  
We try to keep our product information up-to-date and accurate.  
We cannot cover all specific applications or anticipate all requirements.  
All specifications are subject to change without notice.

For more information, contact Fire•Lite Alarms. Phone: (800) 627-3473, FAX: (877) 699-4105.  
[www.firelite.com](http://www.firelite.com)



# MMF-300(A) Series, MDF-300(A)

## Addressable Monitor Modules



Addressable Devices

### General

Four different monitor modules are available for Fire-Lite's intelligent control panels to suit a variety of applications. Monitor modules are used to supervise a circuit of dry-contact input devices, such as conventional heat detectors and pull stations, or monitor and power a circuit of two-wire smoke detectors (MMF-302).

**MMF-300** is a standard-sized module (typically mounts to a 4" [10.16 cm] square box) that supervises either a Class A (Style D) or Class B (Style B) circuit of dry-contact input devices.

**MMF-301** is a miniature monitor module (a mere 1.3" (3.302 cm) H x 2.75" (6.985 cm) W x 0.5" (1.270 cm) D) used to supervise a Class B (Style B) circuit of dry-contact input devices. Its compact design allows the MMF-301 to often be mounted in a single-gang box behind the device it monitors.

**MMF-302** is a standard-sized module used to monitor and supervise compatible two-wire, 24 volt, smoke detectors on a Class A (Style D) or Class B (Style B) circuit.

**MDF-300** is a standard-sized dual monitor module used to monitor and supervise two independent two-wire Style B (Class B) dry-contact initiating device circuits (IDCs) at two separate, consecutive addresses in intelligent, two-wire systems.

LiteSpeed™ is a communication protocol developed by Fire-Lite Engineering that greatly enhances the speed of communication between analog intelligent devices. Intelligent devices communicate in a grouped fashion. If one of the devices within the group has new information, the panel CPU stops the group poll and concentrates on single points. The net effect is response speed greater than five times that of other designs.

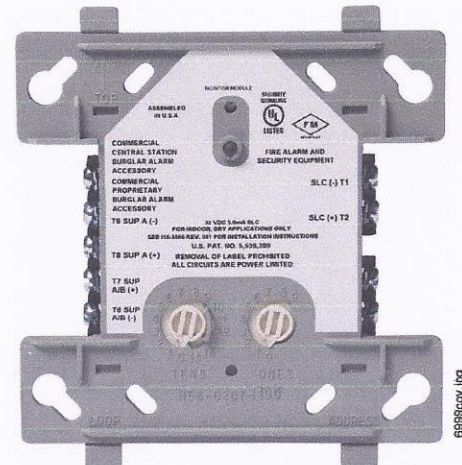
### MMF-300 Monitor Module

- Built-in type identification automatically identifies this device as a monitor module to the control panel.
- Powered directly by two-wire SLC loop. No additional power required.
- High noise (EMF/RFI) immunity.
- SEMS screws with clamping plates for ease of wiring.
- Direct-dial entry of address: 01 – 159 on MS-9600 series panels, 01 – 99 on other compatible systems.
- LED flashes during normal operation and latches on steady to indicate alarm.

The MMF-300 Monitor Module is intended for use in intelligent, two-wire systems, where the individual address of each module is selected using the built-in rotary switches. It provides either a two-wire or four-wire fault-tolerant Initiating Device Circuit (IDC) for normally-open-contact fire alarm and supervisory devices. The module has a panel-controlled LED indicator. The MMF-300 can be used to replace M300 modules in existing systems.

### MMF-300 APPLICATIONS

Use to monitor a zone of four-wire smoke detectors, manual fire alarm pull stations, waterflow devices, or other normally-open dry-contact alarm activation devices. May also be used to monitor normally-open supervisory devices with special supervisory indication at the control panel. Monitored circuit may be wired as an NFPA Style B (Class B) or Style D (Class



MMF-300 (Type H)

A) Initiating Device Circuit. A 47K ohm End-of-Line Resistor (provided) terminates the Style B circuit. No resistor is required for supervision of the Style D circuit.

### MMF-300 OPERATION

Each MMF-300 uses one of the available module addresses on an SLC loop. It responds to regular polls from the control panel and reports its type and the status (open/normal/short) of its Initiating Device Circuit (IDC). A flashing LED indicates that the module is in communication with the control panel. The LED latches steady on alarm (subject to current limitations on the loop).

### MMF-300 SPECIFICATIONS

**Nominal operating voltage:** 15 to 32 VDC.

**Maximum current draw:** 5.0 mA (LED on).

**Maximum operating current:** 375 µA (LED flashing).

**Maximum IDC wiring resistance:** 1,500 ohms.

**EOL resistance:** 47K ohms.

**Temperature range:** 32°F to 120°F (0°C to 49°C).

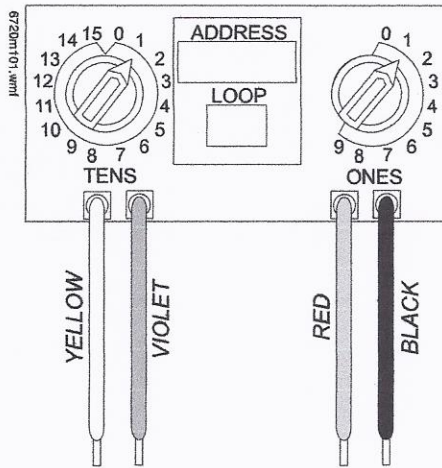
**Humidity range:** 10% to 93% noncondensing.

**Dimensions:** 4.5" (11.43 cm) high x 4" (10.16 cm) wide x 1.25" (3.175 cm) deep. Mounts to a 4" (10.16 cm) square x 2.125" (5.398 cm) deep box.

### MMF-301 Mini Monitor Module

- Built-in type identification automatically identifies this device as a monitor module to the panel.
- Powered directly by two-wire SLC loop. No additional power required.
- High noise (EMF/RFI) immunity.
- Tinned, stripped leads for ease of wiring.
- Direct-dial entry of address: 01 – 159 on MS-9600 series panels, 01 – 99 on other compatible systems.





The MMF-301 Mini Monitor Module can be installed in a single-gang junction directly behind the monitored unit. Its small size and light weight allow it to be installed without rigid mounting. The MMF-301 is intended for use in intelligent, two-wire systems where the individual address of each module is selected using rotary switches. It provides a two-wire initiating device circuit for normally-open-contact fire alarm devices. The MMF-301 can be used to replace M301 modules in existing systems.

#### MMF-301 APPLICATIONS

Use to monitor a single device or a zone of four-wire smoke detectors, manual fire alarm pull stations, waterflow devices, or other normally-open dry-contact devices. May also be used to monitor normally-open supervisory devices with special supervisory indication at the control panel. Monitored circuit/device is wired as an NFPA Style B (Class B) Initiating Device Circuit. A 47K ohm End-of-Line Resistor (provided) terminates the circuit.

#### MMF-301 OPERATION

Each MMF-301 uses one of the available module addresses on an SLC loop. It responds to regular polls from the control panel and reports its type and the status (open/normal/short) of its Initiating Device Circuit (IDC).

#### MMF-301 SPECIFICATIONS

- Nominal operating voltage:** 15 to 32 VDC.
- Maximum operating current:** 375  $\mu$ A.
- Maximum IDC wiring resistance:** 1,500 ohms.
- EOL resistance:** 47K ohms.
- Temperature range:** 32°F to 120°F (0°C to 49°C).
- Humidity range:** 10% to 93% noncondensing.
- Dimensions:** 1.3" (3.302 cm) high x 2.75" (6.985 cm) wide x 0.65" (1.651 cm) deep.
- Wire length:** 6" (15.24 cm) minimum.

#### MMF-302 Interface Module

- Supports compatible two-wire smoke detectors.
- Supervises IDC wiring and connection of external power source.
- High noise (EMF/RFI) immunity.
- SEMS screws with clamping plates for ease of wiring.
- Direct-dial entry of address: 01 – 159 on MS-9600 series panels, 01 – 99 on other compatible systems.
- LED flashes during normal operation.

- LED latches steady to indicate alarm on command from control panel.

The MMF-302 Interface Module is intended for use in intelligent, addressable systems, where the individual address of each module is selected using built-in rotary switches. This module allows intelligent panels to interface and monitor two-wire conventional smoke detectors. It transmits the status (normal, open, or alarm) of one full zone of conventional detectors back to the control panel. All two-wire detectors being monitored must be UL compatible with the module. The MMF-302 can be used to replace M302 modules in existing systems.

#### MMF-302 APPLICATIONS

Use the MMF-302 to monitor a zone of two-wire smoke detectors. The monitored circuit may be wired as an NFPA Style B (Class B) or Style D (Class A) Initiating Device Circuit. A 3.9 K ohm End-of-Line Resistor (provided) terminates the end of the Style B or D (class B or A) circuit (maximum IDC loop resistance is 25 ohms). Install ELR across terminals 8 and 9 for Style D application.

#### MMF-302 OPERATION

Each MMF-302 uses one of the available module addresses on an SLC loop. It responds to regular polls from the control panel and reports its type and the status (open/normal/short) of its Initiating Device Circuit (IDC). A flashing LED indicates that the module is in communication with the control panel. The LED latches steady on alarm (subject to current limitations on the loop).

#### MMF-302 SPECIFICATIONS

- Nominal operating voltage:** 15 to 32 VDC.
- Maximum current draw:** 5.1 mA (LED on).
- Maximum IDC wiring resistance:** 25 ohms.
- Maximum operating current:** 270  $\mu$ A (LED flashing).
- EOL resistance:** 3.9K ohms.
- External supply voltage (between Terminals T3 and T4):** DC voltage: 24 volts power limited. Ripple voltage: 0.1 Vrms maximum. Current: 90 mA per module maximum.
- Temperature range:** 32°F to 120°F (0°C to 49°C).
- Humidity range:** 10% to 93% noncondensing.
- Dimensions:** 4.5" (11.43 cm) high x 4" (10.16 cm) wide x 1.25" (3.175 cm) deep. Mounts to a 4" (10.16 cm) square x 2.125" (5.398 cm) deep box.

#### MDF-300 Dual Monitor Module

The MDF-300 Dual Monitor Module is intended for use in intelligent, two-wire systems. It provides two independent two-wire initiating device circuits (IDCs) at two separate, consecutive addresses. It is capable of monitoring normally open contact fire alarm and supervisory devices. The module has a single panel-controlled LED.

**NOTE:** The MDF-300 provides two Class B (Style B) IDC circuits ONLY. Class A (Style D) IDC circuits are NOT supported in any application.

#### MDF-300 SPECIFICATIONS

- Normal operating voltage range:** 15 to 32 VDC.
- Maximum current draw:** 6.4 mA (LED on).
- Maximum operating current:** 750  $\mu$ A (LED flashing).
- Maximum IDC wiring resistance:** 1,500 ohms.
- EOL resistance:** 47K ohms.
- Temperature range:** 32° to 120°F (0° to 49°C).
- Humidity range:** 10% to 93% (non-condensing).



**Dimensions:** 4.5" (11.43 cm) high x 4" (10.16 cm) wide x 2.125" (5.398 cm) deep.

### **MDF-300 AUTOMATIC ADDRESSING**

The MDF-300 automatically assigns itself to two addressable points, starting with the original address. For example, if the MDF-300 is set to address "26", then it will automatically assign itself to addresses "26" and "27".

**NOTE:** "Ones" addresses on the MDF-300 are 0, 2, 4, 6, or 8 only. Terminals 6 and 7 use the first address, and terminals 8 and 9 use the second address.



#### **CAUTION:**

Avoid duplicating addresses on the system.

---

## **Installation**

MMF-300, MMF-302, and MDF-300 modules mount directly to a standard 4" (10.16 cm) square, 2.125" (5.398 cm) deep, electrical box. They may also be mounted to the SMB500 surface-mount box. Mounting hardware and installation instructions are provided with each module. All wiring must conform to applicable local codes, ordinances, and regulations. These modules are intended for power-limited wiring only.

The MMF-301 module is intended to be wired and mounted without rigid connections inside a standard electrical box. All wiring must conform to applicable local codes, ordinances, and regulations.

## **Agency Listings and Approvals**

In some cases, certain modules may not be listed by certain approval agencies, or listing may be in process. Consult factory for latest listing status.

- **UL:** S2424
- **ULC:** S3705 ("A" suffix models)
- **FM Approved**
- **CSFM:** 7300-0075-185
- **MEA:** 72-01-E

## **Product Line Information**

**NOTE:** "A" suffix indicates ULC Listed model.

**MMF-300(A):** Monitor module.

**MMF-301(A):** Monitor module, miniature.

**MMF-302(A):** Monitor module, two-wire detectors.

**MDF-300(A):** Monitor module, dual, two independent Class B circuits.

**SMB500:** Optional surface-mount backbox.

**NOTE:** See installation instructions and refer to the SLC Wiring Manual, PN 51309.

## **Architects'/Engineers' Specifications**

Specifications of these devices and all FireLite products are available from FireLite.



---

Fire-Lite® and LiteSpeed® are registered trademarks of Honeywell International Inc.  
©2008 by Honeywell International Inc. All rights reserved. Unauthorized use of this document is strictly prohibited.

---

**ISO 9001**  
**CERTIFIED**  
ENGINEERING & MANUFACTURING  
QUALITY SYSTEMS

This document is not intended to be used for installation purposes.  
We try to keep our product information up-to-date and accurate.  
We cannot cover all specific applications or anticipate all requirements.  
All specifications are subject to change without notice.



Made in the U.S. A.

For more information, contact Fire•Lite Alarms. Phone: (800) 627-3473, FAX: (877) 699-4105.  
[www.firelite.com](http://www.firelite.com)



# SD355(A), SD355T(A), SD355R(A)

## Addressable Photoelectric Smoke Detectors

df-52384:b • E-160



Addressable Devices

### General

The SD355(A) and SD355T(A) addressable, low-profile plug-in photoelectric detectors use a state-of-the-art photoelectric sensing chamber with communications to provide open area protection and are used exclusively with Fire-Lite's Addressable Fire Alarm Control Panels (FACPs). The SD355T(A) adds thermal sensors that will alarm at a fixed temperature of 135°F (57°C). Since these detectors are addressable, they will help emergency personnel quickly locate a fire during its early stages, potentially saving precious rescue time while also reducing property damage. Two LEDs on each sensor light to provide a local, visible sensor indication. Remote LED annunciator capability is available as an optional accessory (P/N RA100Z(A)). The SD355R is a remote test capable detector for use with D355PL or DNR(W) duct smoke detector housings.

### Features

#### SLC loop:

- Two-wire loop connection.
- Unit uses base for wiring.

#### Addressing:

- Addressable by device.
- Direct Decode entry of address: 01 – 99 with MS-9200 series, and 01 – 159 with MS-9600 series.

#### Architecture:

- Unique single-source, dual-chamber design to respond quickly and dependably to a broad range of fires.
- Sleek, low-profile design.
- Integral communications and built-in type identification.
- Built-in tamper-resistant feature.
- Removable cover and insect-resistant screen for simple field cleaning.

#### Operation:

- Withstands air velocities up to 4,000 feet-per-minute (20 m/sec.) without triggering a false alarm.
- Factory preset at 1.5% nominal sensitivity for panel alarm threshold level.
- Visible LED "blinks" when the unit is addressed (communicating with the fire panel) and latches on in alarm.

#### Mechanicals:

- Sealed against back pressure.
- Direct surface mounting or electrical box mounting.
- Mounts to: single-gang box, 3.5" (8.89 cm) or 4.0" (10.16 cm) octagonal box, or 4.0" (10.16 cm) square electrical box (using a plaster ring — included).

#### Other system features:

- Fully coated circuit boards and superior RF/transient protection.
- 94-V0 plastic flammability rating.
- Low standby current.

#### Options:

- Remote LED output connection (P/N RA100Z).



SD355 with B350LP base



SD355T with B350LP base

### Applications

Use photoelectric detectors in life-safety applications to provide a broad range of fire-sensing capability, especially where smoldering fires are anticipated. Ionization detectors are often better than photoelectric detectors at sensing fast, flaming fires.

### Construction

These detectors are constructed of off-white LEXAN®. SD355(T) plug-in, low-profile smoke detectors are designed to commercial standards and offer an attractive appearance.

### Installation

SD355(T) plug-in detectors use a detachable mounting base to simplify installation, service and maintenance. Mount base on box which is at least 1.5 inches (3.81 cm) deep. Suitable boxes include:

- 4.0" (10.16 cm) square box with plaster ring.
- 4.0" (10.16 cm) octagonal box.
- 3.5" (8.89 cm) octagonal box.
- Single-gang box.

**NOTE:** Because of the inherent supervision provided by the SLC loop, end-of-line resistors are not required. Wiring "T-taps" or branches are permitted for Style 4 (Class B) wiring. SD355R mounts in a D355PL or DNR(W) duct detector housing.



## Operation

Each SD355/T/R uses one of 99 possible addresses on the MS-9200 series and up to 318 (159 on each loop) on the MS-9600 series Signaling Line Circuit (SLC). It responds to regular polls from the system and reports its type and status.

The SD355/T/R addressable photoelectric sensor's unique unipolar chamber responds quickly and uniformly to a broad range of smoke conditions and can withstand wind gusts up to 4,000 feet-per-minute (20 m/sec.) without sending an alarm level signal. Because of its unipolar chamber, the SD355/T/R is approximately two times more responsive than most photoelectric sensors. This makes it a more stable detector.

## Detector Sensitivity Test

Each detector can have its sensitivity tested (required per NFPA 72, Chapter 14 on *Inspection, Testing and Maintenance*) when installed/connected to a MS-9200 series or MS-9600 series addressable fire alarm control panel. The results of the sensitivity test can be printed off the MS-9200 series or MS-9600 series for record keeping.

## Specification

**Voltage range:** 15 – 32 VDC (peak).

**Standby current:** 300 µA @ 24 VDC.

**LED current:** 6.5 mA @ 24 VDC (latched "ON").

**Air velocity:** 4,000 ft./min. (20 m/sec.) maximum.

**Diameter:** 6.1" (15.5 cm) installed in B350LP base.

**Height:** 2.1" (5.33 cm) installed in B350LP base.

**Weight:** 3.6 oz. (102 g).

**Operating temperature range:** for **SD355(A):** 0°C to 49°C (32°F to 120°F); for **SD355T(A):** 0°C to 38°C (32°F to 100°F).

**SD355R(A):** installed in a DNR(W) -20°C to 70°C (-4°F to 158°F).

**Temperature:** 0°C – 49°C (32°F – 120°F).

**Relative humidity:** 10% – 93%, non-condensing.

## Listings

Listings and approvals below apply to the SD355(A) and SD355T(A) detectors. In some cases, certain modules may not be listed by certain approval agencies, or listing may be in process. Consult factory for latest listing status.

- UL Listed, file S1059.
- ULC Listed, file S1059.
- CSFM approved: file 7272-0075:194.
- MEA approved: file 243-02-E.
- FM approved.

## Product Line Information

**NOTE:** "A" suffix indicates ULC-Listed model.

**SD355:** Addressable photoelectric detector; B350LP base included.

**SD355A:** Same as SD355 with ULC Listing (B350LPA base included).

**SD355T:** Same as SD355 but with *thermal* element; B350LP base included.

**SD355TA:** Same as SD355T with ULC Listing (B350LPA base included).

**SD355R:** Remote test capable addressable photoelectric detector for use with a D355PL or DNR(W) duct detector housing.

**B350LP(A):** Plug-in detector base. Dimensions: 6.1" (15.5 cm). Mounting: 4.0" (10.16 cm) square box with or without plaster ring, 4.0" (10.16 cm) octagonal box, 3.5" (8.89 cm) octagonal box, or single-gang box. All mounting boxes have a minimum depth of 1.5" (3.81 cm).

**B224RB(A):** Plug-in System Sensor *relay* detector base. **Diameter:** 6.2" (15.75 cm). **Mounting:** 4.0" (10.16 cm) square box with or without plaster ring, 4.0" (10.16 cm) octagonal box, or 3.5" (8.89 cm) octagonal box. All mounting boxes have a minimum depth of 1.5" (3.81 cm).

**B224BI(A):** Plug-in System Sensor *isolator* detector base. Maximum 25 devices between isolator bases (*see DF-52389*). **Diameter:** 6.2" (15.75 cm). **Mounting:** 4.0" (10.16 cm) square box with or without plaster ring, 4.0" (10.16 cm) octagonal box, or 3.5" (8.89 cm) octagonal box. All mounting boxes have a minimum depth of 1.5" (3.81 cm).

**B200SR:** Sounder base capable of producing temporal-3 or steady sound output.

### ACCESSORIES:

**RA100Z(A):** Remote LED annunciator. 3 – 32 VDC. Mounts to a U.S. single-gang electrical box. *For use with B501(A) and B350LP(A) bases only.*

**SMK400E:** Surface mounting kit provides for entry of surface wiring conduit. *For use with B501(A) base only.*

**RMK400:** Recessed mounting kit. *For use with B501(A) base only.*

**M02-04-00:** Test magnet.

**M02-09-00:** Test magnet with telescoping handle.

**XR2B:** Detector removal tool. Allows installation and/or removal of detector heads from bases in high ceiling applications.

**XP-4:** Extension pole for XR2B. Comes in three 5-foot (1.524 m) sections.

**T55-127-010:** Detector removal tool without pole.

**BCK-200B:** Black detector covers, box of 10 .

**WCK-200B:** White detector covers, box of 10 .

FlashScan® registered trademark of Honeywell International Inc. Bayblend® is a registered trademark of Bayer Corporation.

©2010 by Honeywell International Inc. All rights reserved. Unauthorized use of this document is strictly prohibited.



This document is not intended to be used for installation purposes.  
We try to keep our product information up-to-date and accurate.  
We cannot cover all specific applications or anticipate all requirements.  
All specifications are subject to change without notice.

For more information, contact Fire•Lite Alarms. Phone: (800) 627-3473, FAX: (877) 699-4105.  
[www.firelite.com](http://www.firelite.com)





## Selectable-Output Horns, Strobes, and Horn Strobes

*SpectrAlert® Advance selectable-output horns, strobes, and horn strobes are rich with features guaranteed to cut installation times and maximize profits.*



**SPECTRAlert**  
**ADVANCE**  
From System Sensor

### Features

- Plug-in design with minimal intrusion into the back box
- Tamper-resistant construction
- Automatic selection of 12- or 24-volt operation at 15 and 15/75 candela
- Field-selectable candela settings on wall and ceiling units: 15, 15/75, 30, 75, 95, 110, 115, 135, 150, 177, and 185
- Horn rated at 88+ dBA at 16 volts
- Rotary switch for horn tone and three volume selections
- Universal mounting plate for wall and ceiling units
- Mounting plate shorting spring checks wiring continuity before device installation
- Electrically compatible with existing SpectrAlert products
- Compatible with MDL sync module

**The SpectrAlert Advance series** offers the most versatile and easy-to-use line of horns, strobes, and horn strobes in the industry. With white and red plastic housings, wall and ceiling mounting options, and plain and FIRE-printed devices, SpectrAlert Advance can meet virtually any application requirement.

Like the entire SpectrAlert Advance product line, horns, strobes, and horn strobes include a variety of features that increase their application versatility while simplifying installation. All devices feature plug-in designs with minimal intrusion into the back box, which make installations fast and foolproof while virtually eliminating costly and time-consuming ground faults. Furthermore, a universal mounting plate with an onboard shorting spring tests wiring continuity before the device is installed, protecting devices from damage.

In addition, field-selectable candela settings, automatic selection of 12- or 24-volt operation, and a rotary switch for horn tones with three volume selections enables installers to easily adapt devices to suit a wide range of application requirements.

### Agency Listings

**SIGNALING**  
  
**LISTED**  
S4011 (chimes, horn strobes, horns)  
S5512 (strobes)

  
**FM**  
**APPROVED**  
3023572

**MEA**  
**approved**  
MEA452-05-E

  
7125-1653:186 (indoor strobes)  
7125-1653:188 (horn strobes,  
chime strobes)  
7135-1653:189 (horns, chimes)



# SpectrAlert Advance Specifications

## Architect/Engineer Specifications

### General

SpectrAlert Advance horns, strobes, and horn strobes shall mount to a standard 4 × 4 × 1½-inch back box, 4-inch octagon back box, or double-gang back box. Two-wire products shall also mount to a single-gang 2 × 4 × 1⅞-inch back box. A universal mounting plate shall be used for mounting ceiling and wall products. The notification appliance circuit wiring shall terminate at the universal mounting plate. Also, SpectrAlert Advance products, when used with the Sync-Circuit™ Module accessory, shall be powered from a non-coded notification appliance circuit output and shall operate on a nominal 12 or 24 volts. When used with the Sync-Circuit Module, 12-volt-rated notification appliance circuit outputs shall operate between 9 and 17.5 volts; 24-volt-rated notification appliance circuit outputs shall operate between 17 and 33 volts. Indoor SpectrAlert Advance products shall operate between 32 and 120 degrees Fahrenheit from a regulated DC or full-wave rectified unfiltered power supply. Strobes and horn strobes shall have field-selectable candela settings including 15, 15/75, 30, 75, 95, 110, 115, 135, 150, 177, and 185.

### Strobe

The strobe shall be a System Sensor SpectrAlert Advance Model \_\_\_\_\_ listed to UL 1971 and shall be approved for fire protective service. The strobe shall be wired as a primary-signaling notification appliance and comply with the Americans with Disabilities Act requirements for visible signaling appliances, flashing at 1 Hz over the strobe's entire operating voltage range. The strobe light shall consist of a xenon flash tube and associated lens/reflector system.

### Horn Strobe Combination

The horn strobe shall be a System Sensor SpectrAlert Advance Model \_\_\_\_\_ listed to UL 1971 and UL 464 and shall be approved for fire protective service. The horn strobe shall be wired as a primary-signaling notification appliance and comply with the Americans with Disabilities Act requirements for visible signaling appliances, flashing at 1 Hz over the strobe's entire operating voltage range. The strobe light shall consist of a xenon flash tube and associated lens/reflector system. The horn shall have three audibility options and an option to switch between a temporal three-pattern and a non-temporal (continuous) pattern. These options are set by a multiple position switch. On four-wire products, the strobe shall be powered independently of the sounder. The horn on horn strobe models shall operate on a coded or non-coded power supply.

### Synchronization Module

The module shall be a System Sensor Sync-Circuit model MDL listed to UL 464 and shall be approved for fire protective service. The module shall synchronize SpectrAlert strobes at 1 Hz and horns at temporal three. Also, while operating the strobes, the module shall silence the horns on horn strobe models over a single pair of wires. The module shall mount to a 4⅞ × 4⅞ × 2⅞-inch back box. The module shall also control two Style Y (class B) circuits or one Style Z (class A) circuit. The module shall synchronize multiple zones. Daisy chaining two or more synchronization modules together will synchronize all the zones they control. The module shall not operate on a coded power supply.

## Physical/Electrical Specifications

Standard Operating Temperature	32°F to 120°F (0°C to 49°C)
Humidity Range	10 to 93% non-condensing
Strobe Flash Rate	1 flash per second
Nominal Voltage	Regulated 12 DC/FWR or regulated 24 DC/FWR <sup>1</sup>
Operating Voltage Range <sup>2</sup>	8 to 17.5 V (12 V nominal) or 16 to 33 V (24 V nominal)
Input Terminal Wire Gauge	12 to 18 AWG
Ceiling-Mount Dimensions (including lens)	6.8" diameter × 2.5" high (173 mm diameter × 64 mm high)
Wall-Mount Dimensions (including lens)	5.6" L × 4.7" W × 2.5" D (142 mm L × 119 mm W × 64 mm D)
Horn Dimensions	5.6" L × 4.7" W × 1.3" D (142 mm L × 119 mm W × 33 mm D)
Wall-Mount Back Box Skirt Dimensions (BBS-2, BBSW-2)	5.9" L × 5.0" W × 2.2" D (151 mm L × 128 mm W × 56 mm D)
Ceiling-Mount Back Box Skirt Dimensions (BBSC-2, BBSCW-2)	7.1" diameter × 2.2" high (180 mm diameter × 57 mm high)
Wall-Mount Trim Ring Dimensions (sold as a 5 pack) (TR-HS, TRW-HS)	5.7" L × 4.8" W × 0.35" D (145 mm L × 122 mm W × 9 mm D)
Ceiling-Mount Trim Ring Dimensions (sold as a 5 pack) (TRC-HS, TRCW-HS)	6.9" diameter × 0.35" high (175 mm diameter × 9 mm high)

### Notes:

1. Full Wave Rectified (FWR) voltage is a non-regulated, time-varying power source that is used on some power supply and panel outputs.
2. P, S, PC, and SC products will operate at 12 V nominal only for 15 and 15/75 cd.



## UL Current Draw Data

UL Max. Strobe Current Draw (mA RMS)						UL Max. Horn Current Draw (mA RMS)					
	Candela	8-17.5 Volts		16-33 Volts		Sound Pattern	dB	8-17.5 Volts		16-33 Volts	
		DC	FWR	DC	FWR			DC	FWR	DC	FWR
Standard Candela Range	15	123	128	66	71	Temporal	High	57	55	69	75
	15/75	142	148	77	81	Temporal	Medium	44	49	58	69
	30	NA	NA	94	96	Temporal	Low	38	44	44	48
	75	NA	NA	158	153	Non-temporal	High	57	56	69	75
	95	NA	NA	181	176	Non-temporal	Medium	42	50	60	69
	110	NA	NA	202	195	Non-temporal	Low	41	44	50	50
High Candela Range	115	NA	NA	210	205	Coded	High	57	55	69	75
	135	NA	NA	228	207	Coded	Medium	44	51	56	69
	150	NA	NA	246	220	Coded	Low	40	46	52	50
	177	NA	NA	281	251						
	185	NA	NA	286	258						

UL Max. Current Draw (mA RMS), 2-Wire Horn Strobe, Standard Candela Range (15-115 cd)										
DC Input	8-17.5 Volts				16-33 Volts					
	15	15/75	15	15/75	30	75	95	110	115	
Temporal High	137	147	79	90	107	176	194	212	218	
Temporal Medium	132	144	69	80	97	157	182	201	210	
Temporal Low	132	143	66	77	93	154	179	198	207	
Non-Temporal High	141	152	91	100	116	176	201	221	229	
Non-Temporal Medium	133	145	75	85	102	163	187	207	216	
Non-Temporal Low	131	144	68	79	96	156	182	201	210	
<b>FWR Input</b>										
Temporal High	136	155	88	97	112	168	190	210	218	
Temporal Medium	129	152	78	88	103	160	184	202	206	
Temporal Low	129	151	76	86	101	160	184	194	201	
Non-Temporal High	142	161	103	112	126	181	203	221	229	
Non-Temporal Medium	134	155	85	95	110	166	189	208	216	
Non-Temporal Low	132	154	80	90	105	161	184	202	211	

UL Max. Current Draw (mA RMS), 2-Wire Horn Strobe, High Candela Range (135-185 cd)										
DC Input	16-33 Volts				FWR Input	16-33 Volts				
	135	150	177	185		135	150	177	185	
Temporal High	245	259	290	297	Temporal High	215	231	258	265	
Temporal Medium	235	253	288	297	Temporal Medium	209	224	250	258	
Temporal Low	232	251	282	292	Temporal Low	207	221	248	256	
Non-Temporal High	255	270	303	309	Non-Temporal High	233	248	275	281	
Non-Temporal Medium	242	259	293	299	Non-Temporal Medium	219	232	262	267	
Non-Temporal Low	238	254	291	295	Non-Temporal Low	214	229	256	262	

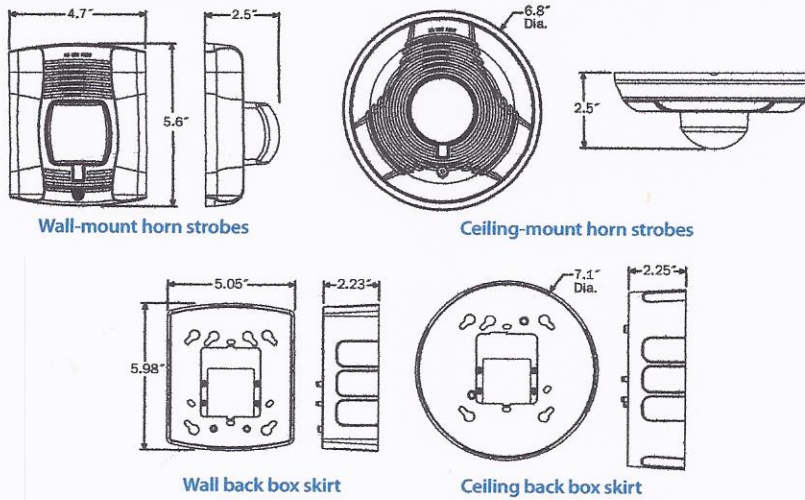
## Horn Tones and Sound Output Data

Horn and Horn Strobe Output (dBA)										
Switch Position	Sound Pattern	dB	8-17.5 Volts		16-33 Volts		24-Volt Nominal			
			DC	FWR	DC	FWR	Reverberant		Anechoic	
			DC	FWR	DC	FWR	DC	FWR	DC	FWR
1	Temporal	High	78	78	84	84	88	88	99	98
2	Temporal	Medium	74	74	80	80	86	86	96	96
3	Temporal	Low	71	73	76	76	83	80	94	89
4	Non-Temporal	High	82	82	88	88	93	92	100	100
5	Non-Temporal	Medium	78	78	85	85	90	90	98	98
6	Non-Temporal	Low	75	75	81	81	88	84	96	92
7 <sup>†</sup>	Coded	High	82	82	88	88	93	92	101	101
8 <sup>†</sup>	Coded	Medium	78	78	85	85	90	90	97	98
9 <sup>†</sup>	Coded	Low	75	75	81	81	88	85	96	92

<sup>†</sup>Settings 7, 8, and 9 are not available on 2-wire horn strobe.



## SpectrAlert Advance Dimensions



## SpectrAlert Advance Ordering Information

Model	Description
<b>Wall Horn Strobes</b>	
P2R*†	2-Wire Horn Strobe, Standard cd‡, Red
P2RH*	2-Wire Horn Strobe, High cd, Red
P2W*	2-Wire Horn Strobe, Standard cd, White
P2WH*	2-Wire Horn Strobe, High cd, White
P4R*	4-Wire Horn Strobe, Standard cd, Red
P4RH	4-Wire Horn Strobe, High cd, Red
P4W	4-Wire Horn Strobe, Standard cd, White
<b>Wall Strobes</b>	
SR*†	Strobe, Standard cd, Red
SRH*†	Strobe, High cd, Red
SW*	Strobe, Standard cd, White
SWH*	Strobe, High cd, White
<b>Ceiling Horn Strobes</b>	
PC2R*	2-Wire Horn Strobe, Standard cd, Red
PC2RH	2-Wire Horn Strobe, High cd, Red
PC2W*†	2-Wire Horn Strobe, Standard cd, White
PC2WH*	2-Wire Horn Strobe, High cd, White
PC4R	4-Wire Horn Strobe, Standard cd, Red
PC4RH	4-Wire Horn Strobe, High cd, Red
PC4W	4-Wire Horn Strobe, Standard cd, White

Model	Description
<b>Ceiling Strobes</b>	
SCR	Strobe, Standard cd, Red
SCRH	Strobe, High cd, Red
SCW*	Strobe, Standard cd, White
SCWH	Strobe, High cd, White
<b>Horns</b>	
HR	Horn, Red
HW	Horn, White
<b>Accessories</b>	
BBS-2	Back Box Skirt, Wall, Red
BBSW-2	Back Box Skirt, Wall, White
BBSC-2	Back Box Skirt, Ceiling, Red
BBSCW-2	Back Box Skirt, Ceiling, White
TR-HS	Trim Ring, Wall, Red
TRW-HS	Trim Ring, Wall White
TRC-HS	Trim Ring, Ceiling, Red
TRCW-HS	Trim Ring, Ceiling, White

### Notes:

\* Add "-P" to model number for plain housing (no "FIRE" marking on cover), e.g., P2R-P.

† Add "-SP" to model number for "FUEGO" marking on cover, e.g., P2R-SP.

‡ "Standard cd" refers to strobes that include 15, 15/75, 30, 75, 95, 110, and 115 candela settings. "High cd" refers to strobes that include 135, 150, 177, and 185 candela settings.



3825 Ohio Avenue • St. Charles, IL 60174  
Phone: 800-SENSOR2 • Fax: 630-377-6495

©2009 System Sensor.  
Product specifications subject to change without notice. Visit [systemsensorm.com](http://systemsensorm.com) for current product information, including the latest version of this data sheet.  
A05-0395-007 • 4/09 • #2132