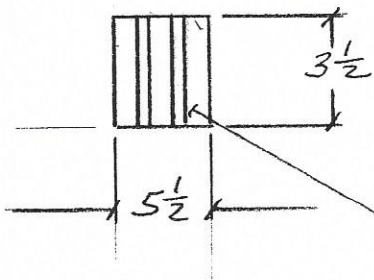
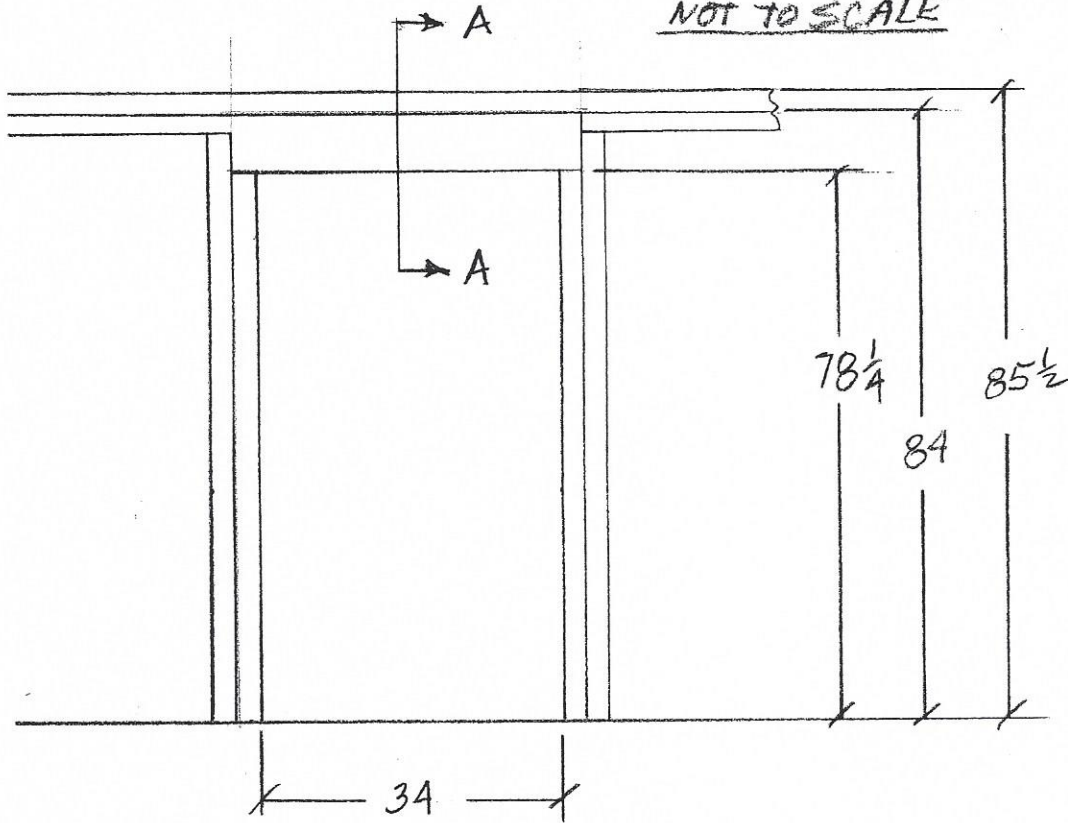


NOTE: WALL CONSTRUCTION IS 2x6
NOT TO SCALE



EXISTING HEADER CONSISTS OF
3-2x4 & TWO SHEETS 1/2 PLYWOOD

A-A

EXISTING DOOR OPENING