

DESIGNER

CWS ARCHITECTS
ARCHITECTURE | INTERIOR DESIGN
434 CUMBERLAND AVENUE
PORTLAND, MAINE 04101
T: 207.774.4441
F: 207.774.4016
WWW.CWSARCH.COM

OWNER

COMMUNITY HOUSING
OF MAINE INC.

ONE CITY CENTER, 4TH FLOOR
PORTLAND, MAINE 04101

PROJECT

548 SAINT JOHN STREET
APARTMENT

548 SAINT JOHN STREET
PORTLAND, MAINE 04101

DRAWING

FRONT ENTRY - EXTERIOR
P.T. WOOD STAIR PLAN,
SECTION AND DETAILS

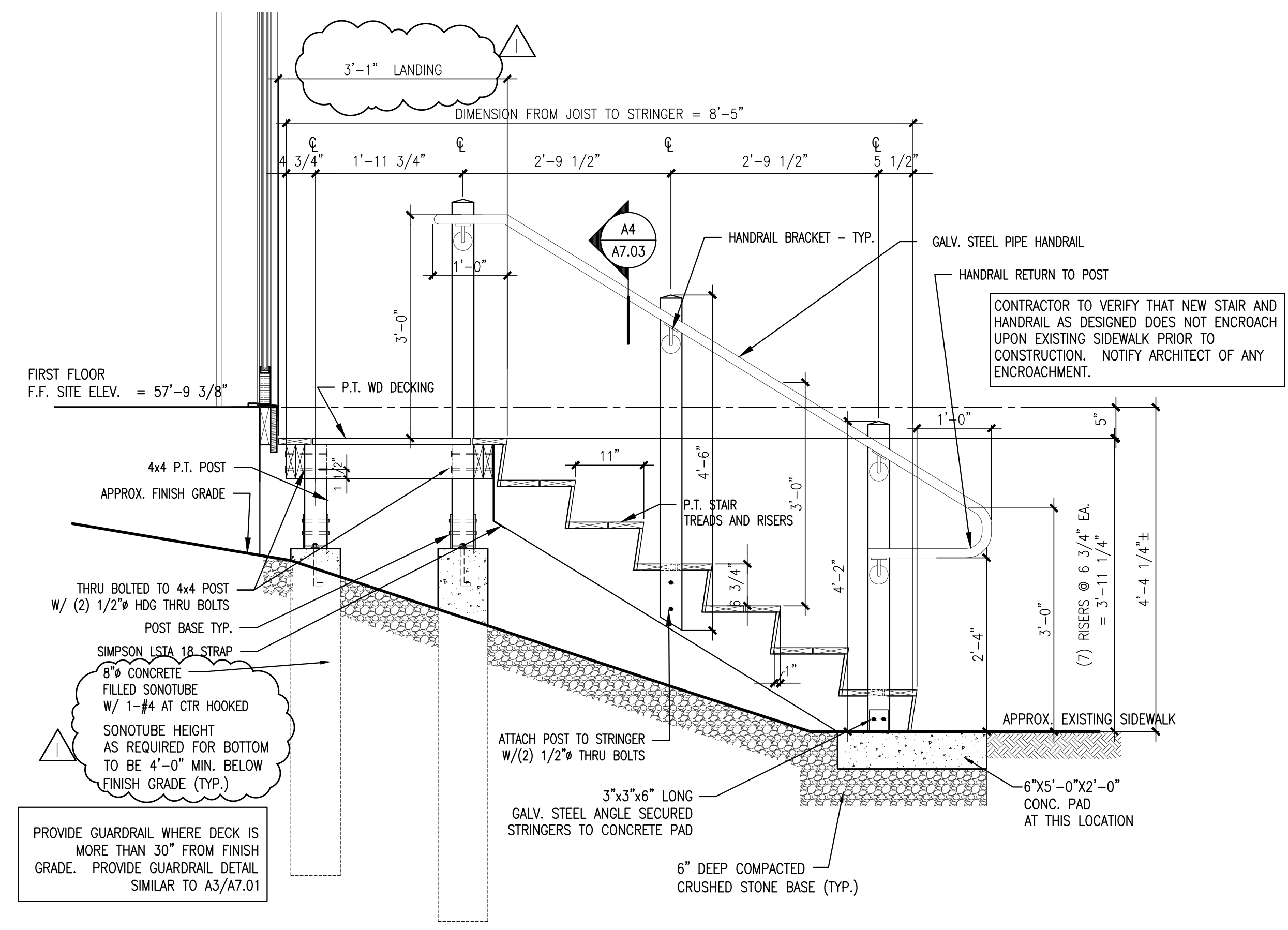
CWS PROJECT NUMBER: 16.019

REVISIONS

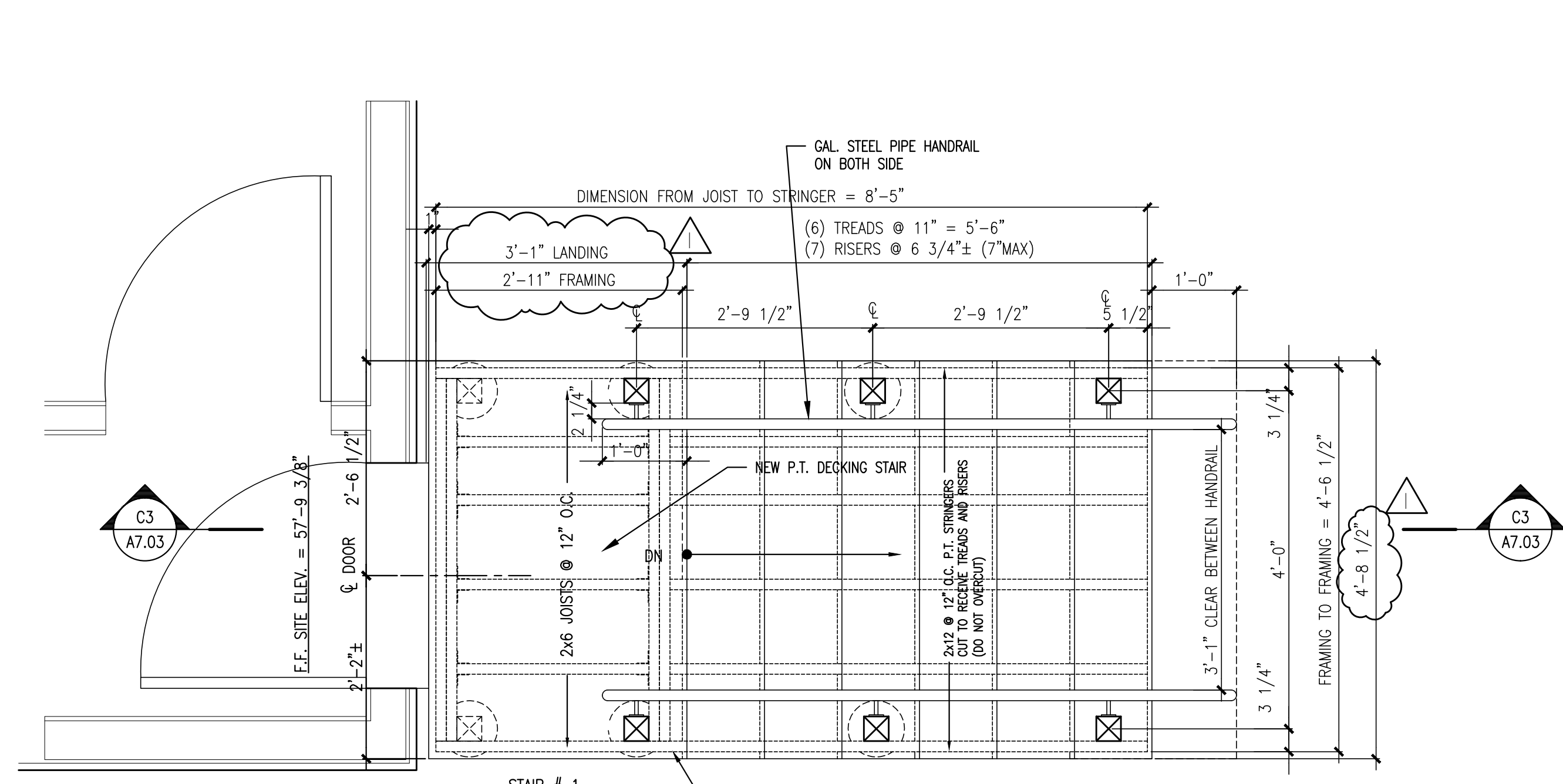
REVISION	DATE
1	5/05/2017

DRAWING NUMBER
A7.03

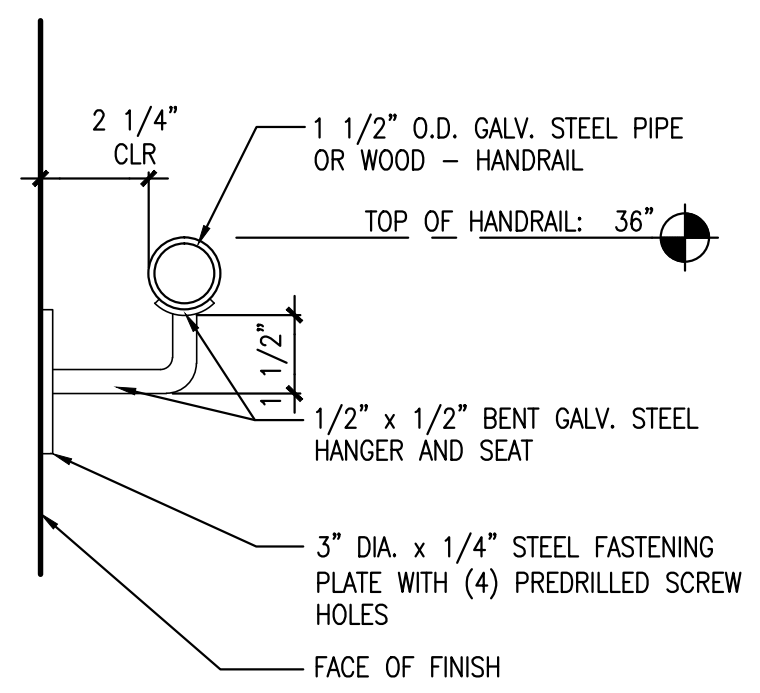
SCALE: AS NOTED
DATE: 3/08/2017



C3 EXTERIOR WOOD STAIR # 1 AND 2 SECTION
REFERENCED FROM: SCALE: 3/4" = 1'-0"



A3 EXTERIOR WOOD STAIR # 1 AND 2 PLAN
REFERENCED FROM: SCALE: 3/4" = 1'-0"



A4 HANDRAIL DETAIL
REFERENCED FROM: SCALE: 3" = 1'-0"

A5 - REFERENCED FROM: SCALE: 3" = 1'-0"