

**DESIGNER**  
CWS ARCHITECTS  
ARCHITECTURE | INTERIOR DESIGN  
434 CUMBERLAND AVENUE  
PORTLAND, MAINE 04101  
T: 207.774.4441  
F: 207.774.4016  
WWW.CWSARCH.COM

**OWNER**  
COMMUNITY HOUSING  
OF MAINE INC.  
ONE CITY CENTER, 4TH FLOOR  
PORTLAND, MAINE 04101

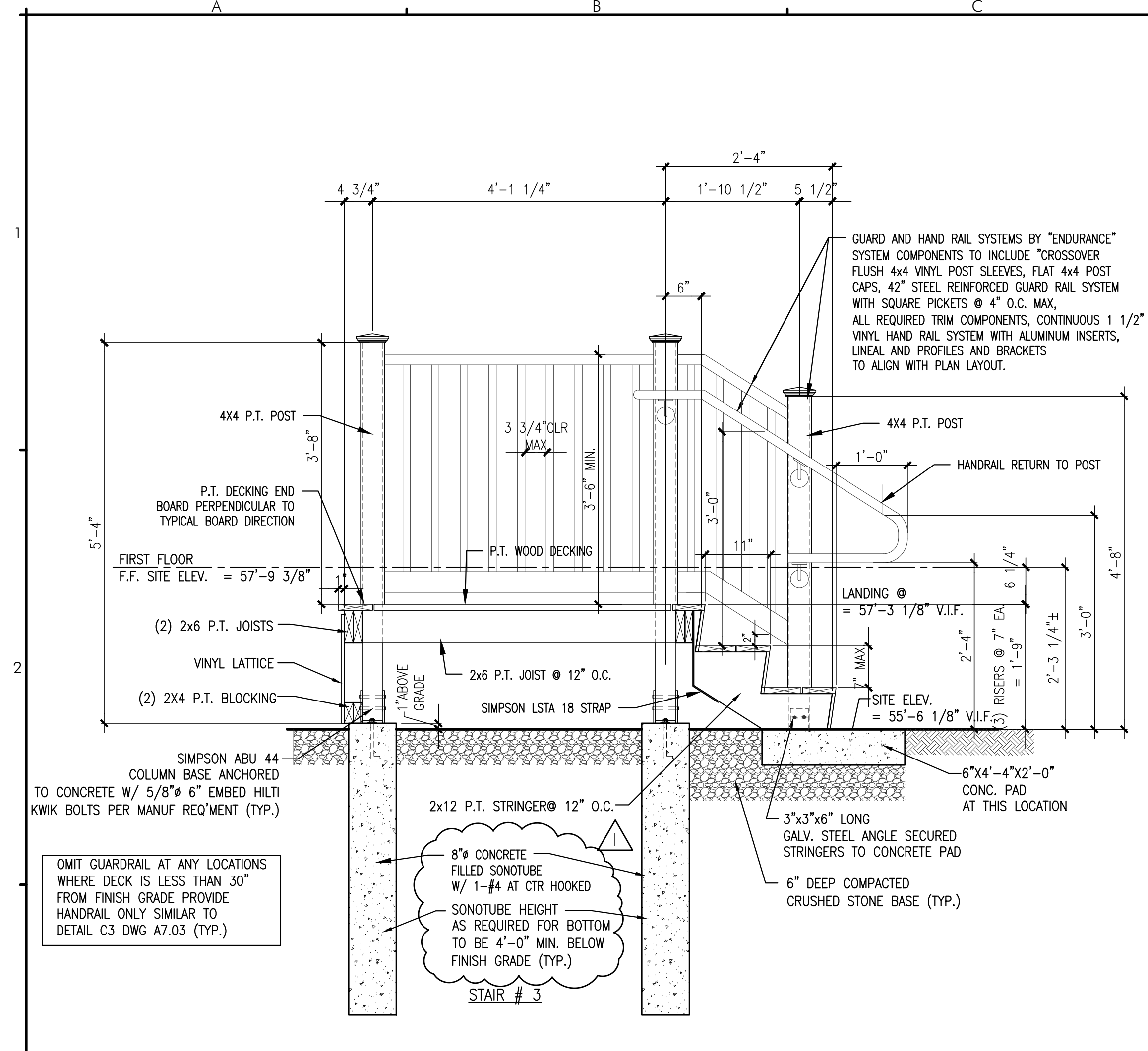
**PROJECT**  
548 SAINT JOHN STREET  
APARTMENT

**DRAWING**  
EXTERIOR WOOD STAIR  
PLANS, SECTIONS AND  
DETAILS

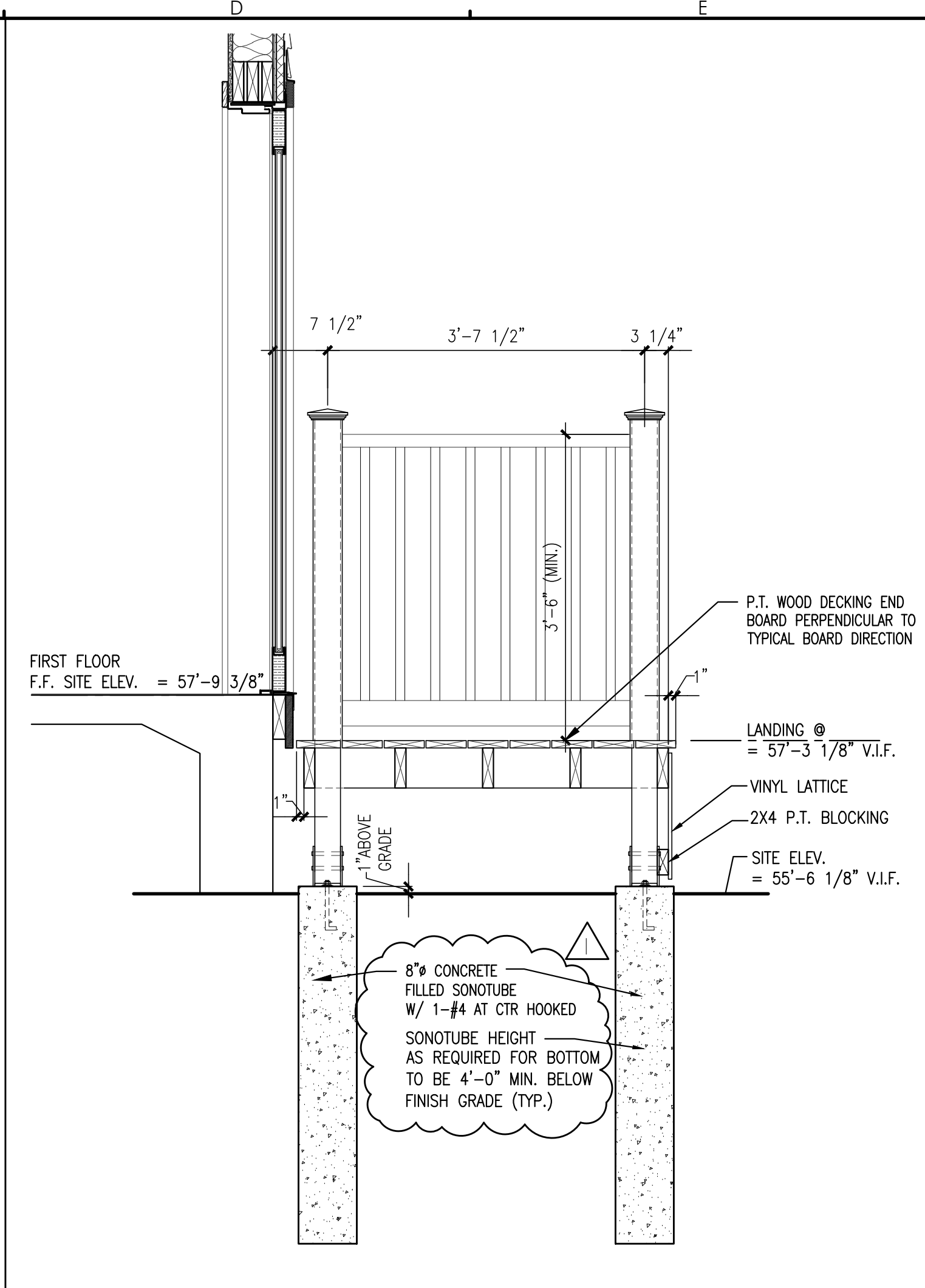
**REVISIONS**

REVISION NO.	DATE	DESCRIPTION
1	5/05/2017	

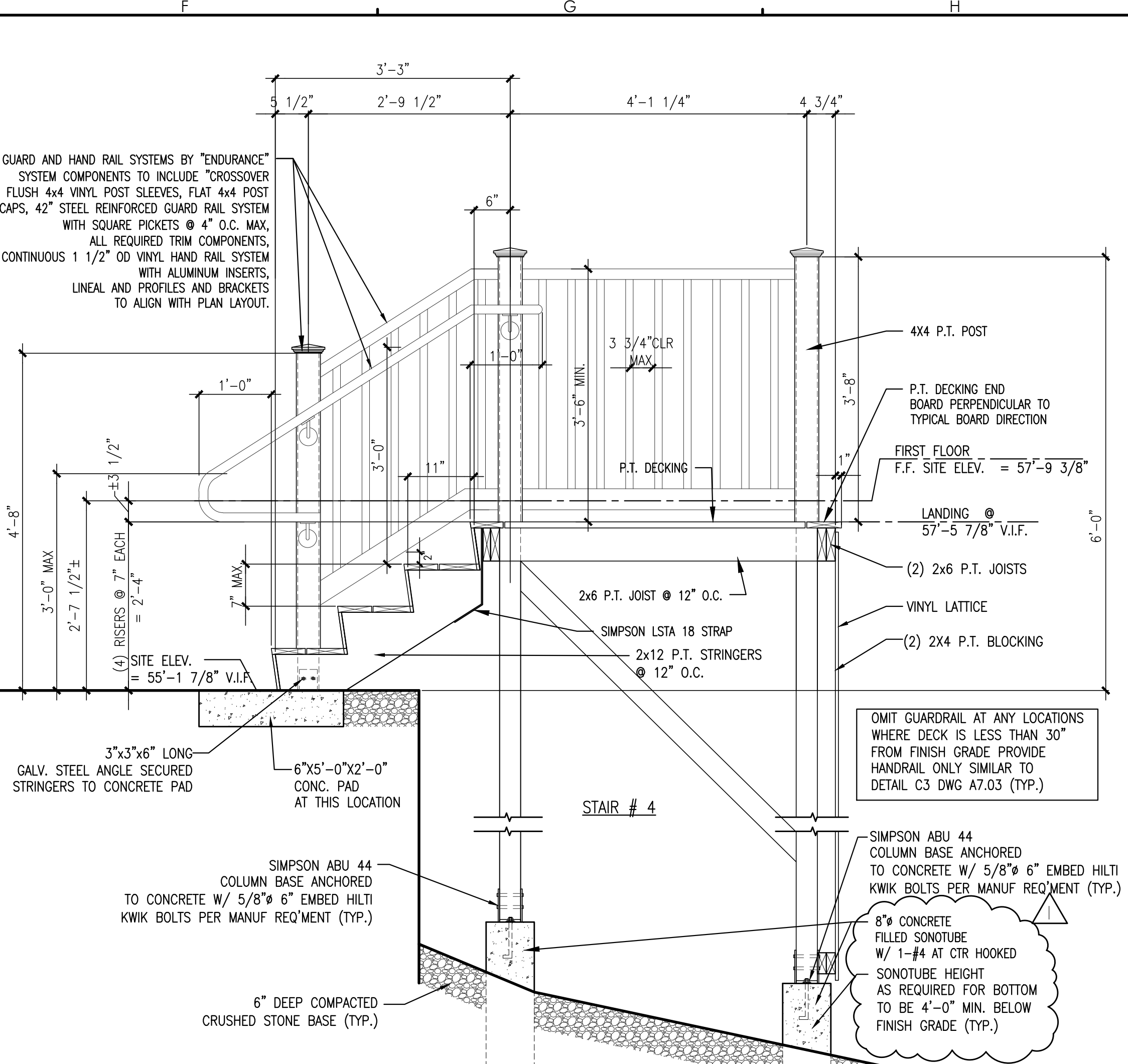
DRAWING NUMBER  
**A7.01**  
SCALE: AS NOTED  
DATE: 3/08/2017



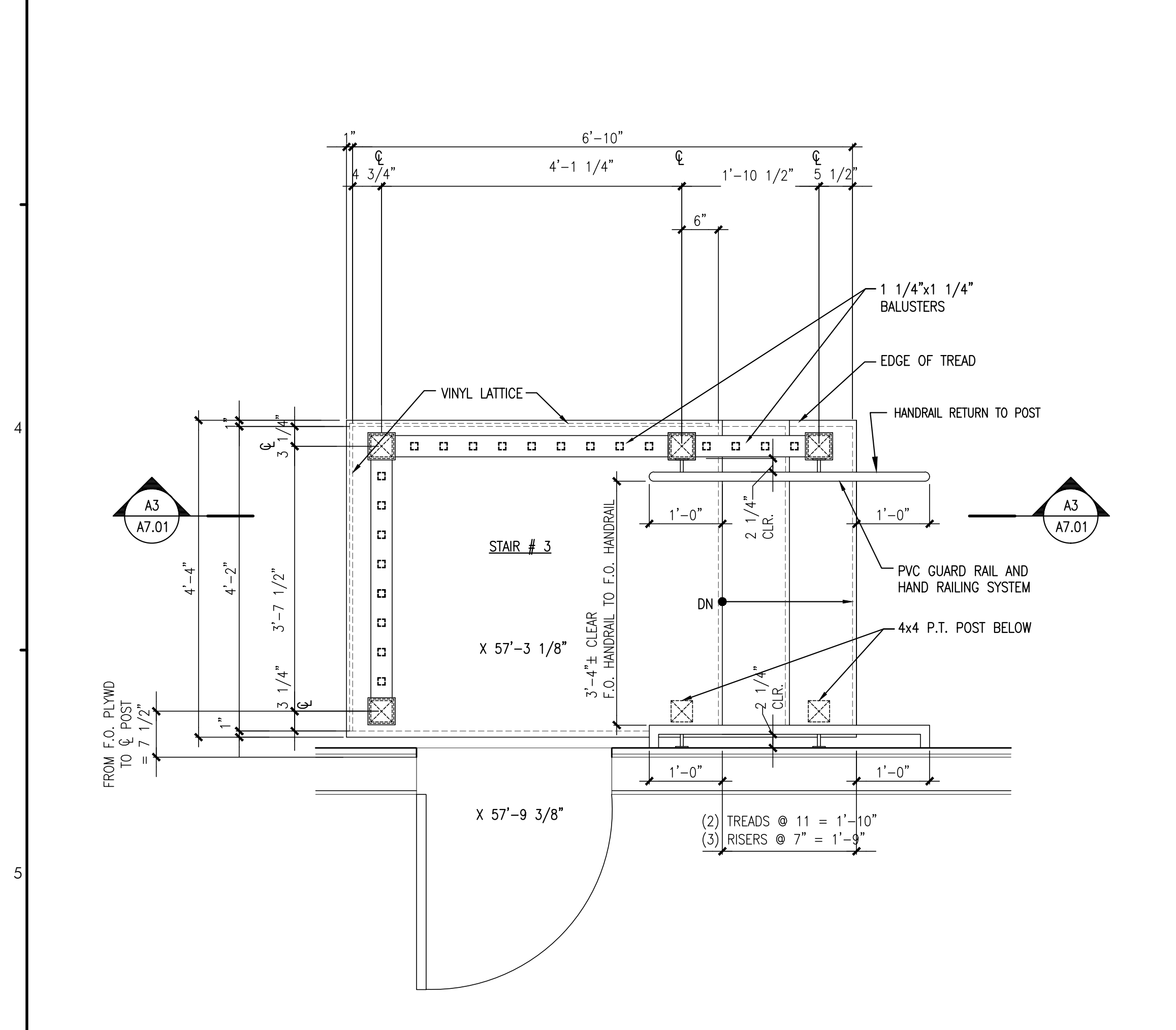
**A3** EXTERIOR WOOD STAIR #3 SECTION  
REFERENCED FROM: SCALE: 3/4" = 1'-0"



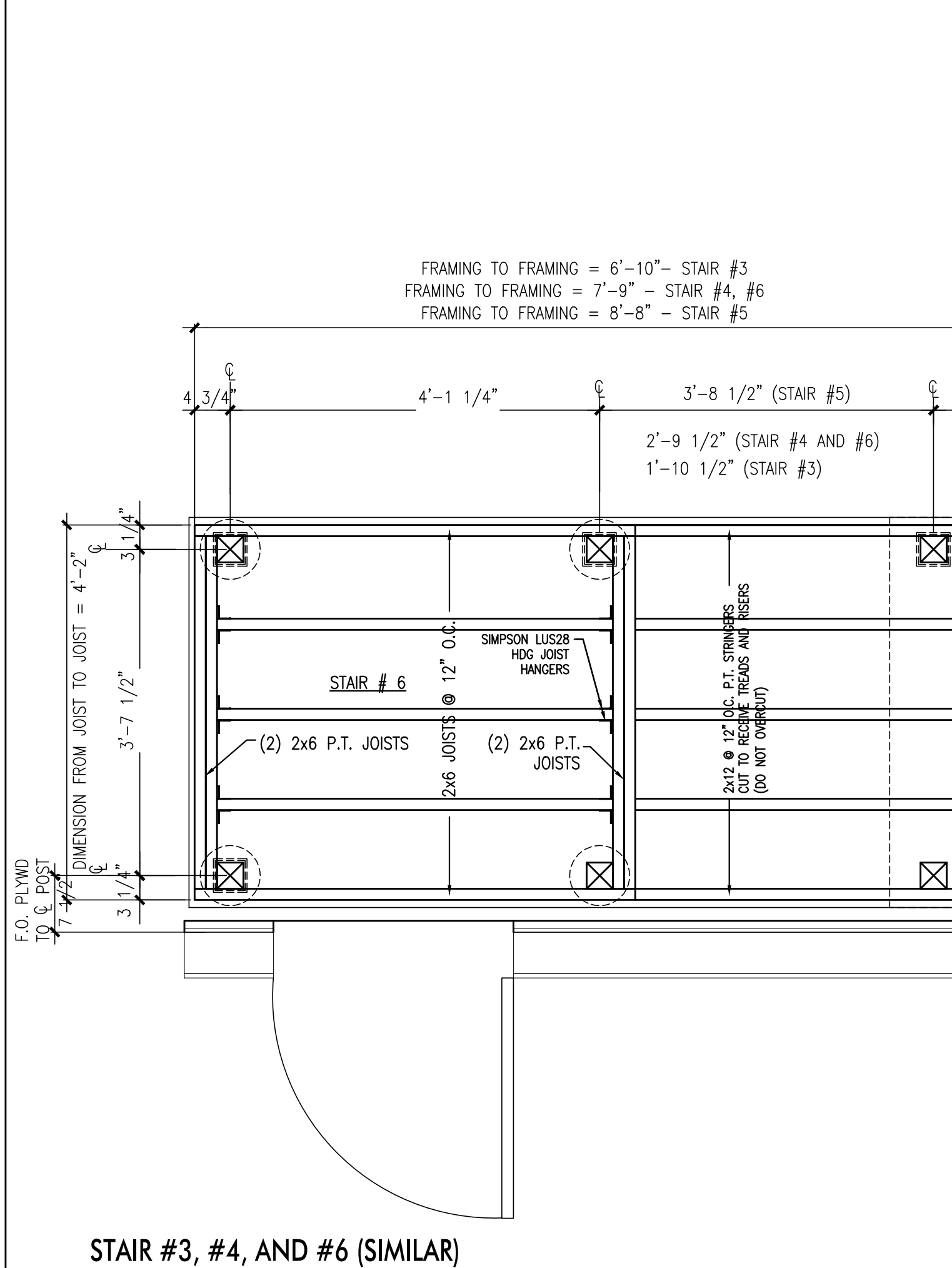
**D3** EXTERIOR WOOD STAIR #3 SECTION  
REFERENCED FROM: SCALE: 3/4" = 1'-0"



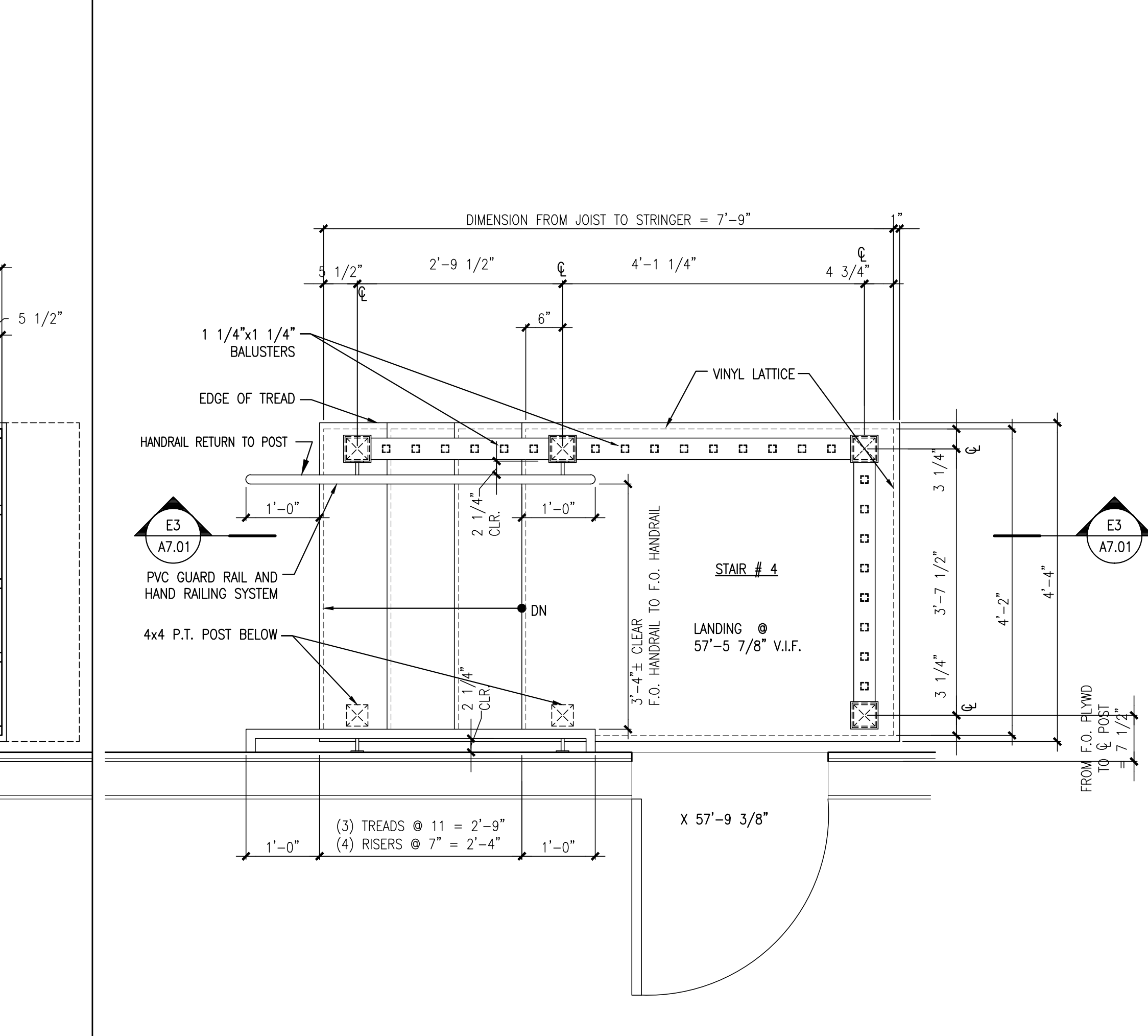
**E3** EXTERIOR WOOD STAIR #4 SECTION  
REFERENCED FROM: SCALE: 3/4" = 1'-0"



**A5** EXTERIOR WOOD STAIR #3 PLAN  
REFERENCED FROM: SCALE: 3/4" = 1'-0"



**D5** EXTERIOR WOOD STAIR #5 FRAMING PLAN  
REFERENCED FROM: SCALE: 3/4" = 1'-0"



**E5** EXTERIOR WOOD STAIR #4 PLAN  
REFERENCED FROM: SCALE: 3/4" = 1'-0"