

DESIGNER

CWS ARCHITECTS
ARCHITECTURE | INTERIOR DESIGN
434 CUMBERLAND AVENUE
PORTLAND, MAINE 04101
T: 207.774.4441
F: 207.774.4016
WWW.CWSARCH.COM

OWNER

COMMUNITY HOUSING
OF MAINE INC.

ONE CITY CENTER, 4TH FLOOR
PORTLAND, MAINE 04101

PROJECT

548 SAINT JOHN STREET
APARTMENT

548 SAINT JOHN STREET
PORTLAND, MAINE 04101

DRAWING

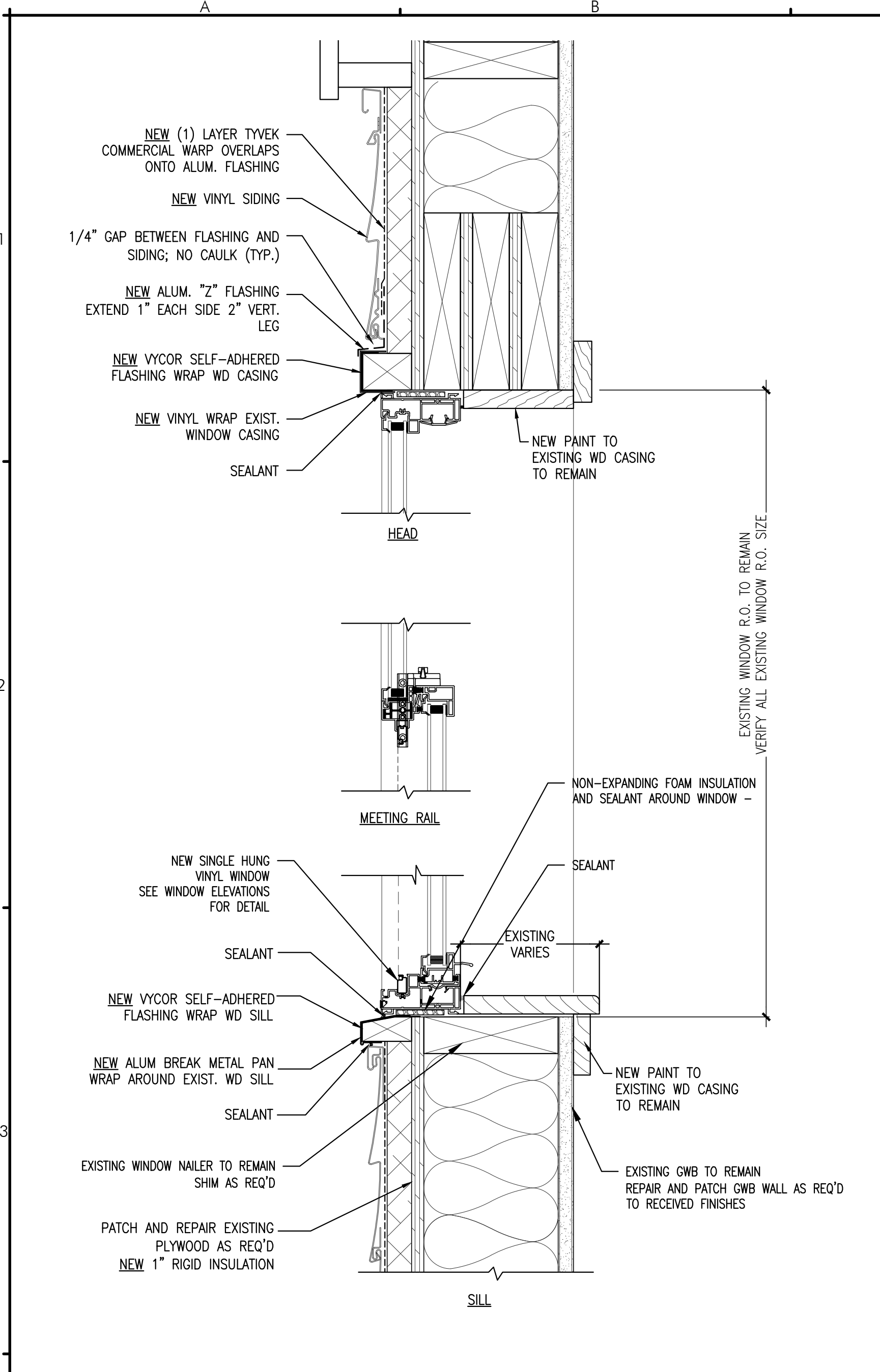
WINDOW AND DOOR
ELEVATIONS AND DETAILS

CWS PROJECT NUMBER: 16.019

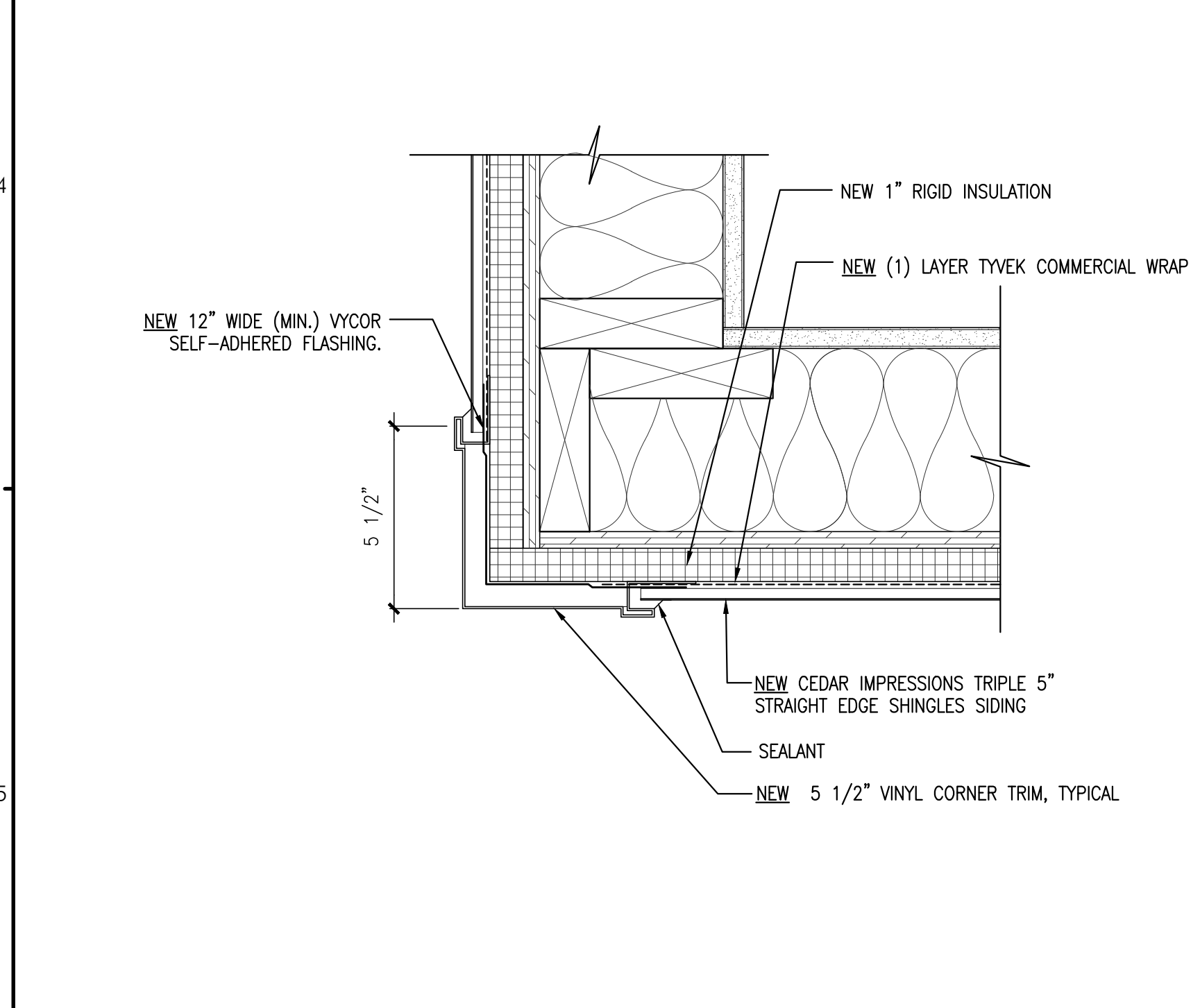
REVISIONS

DRAWING NUMBER
A8.02

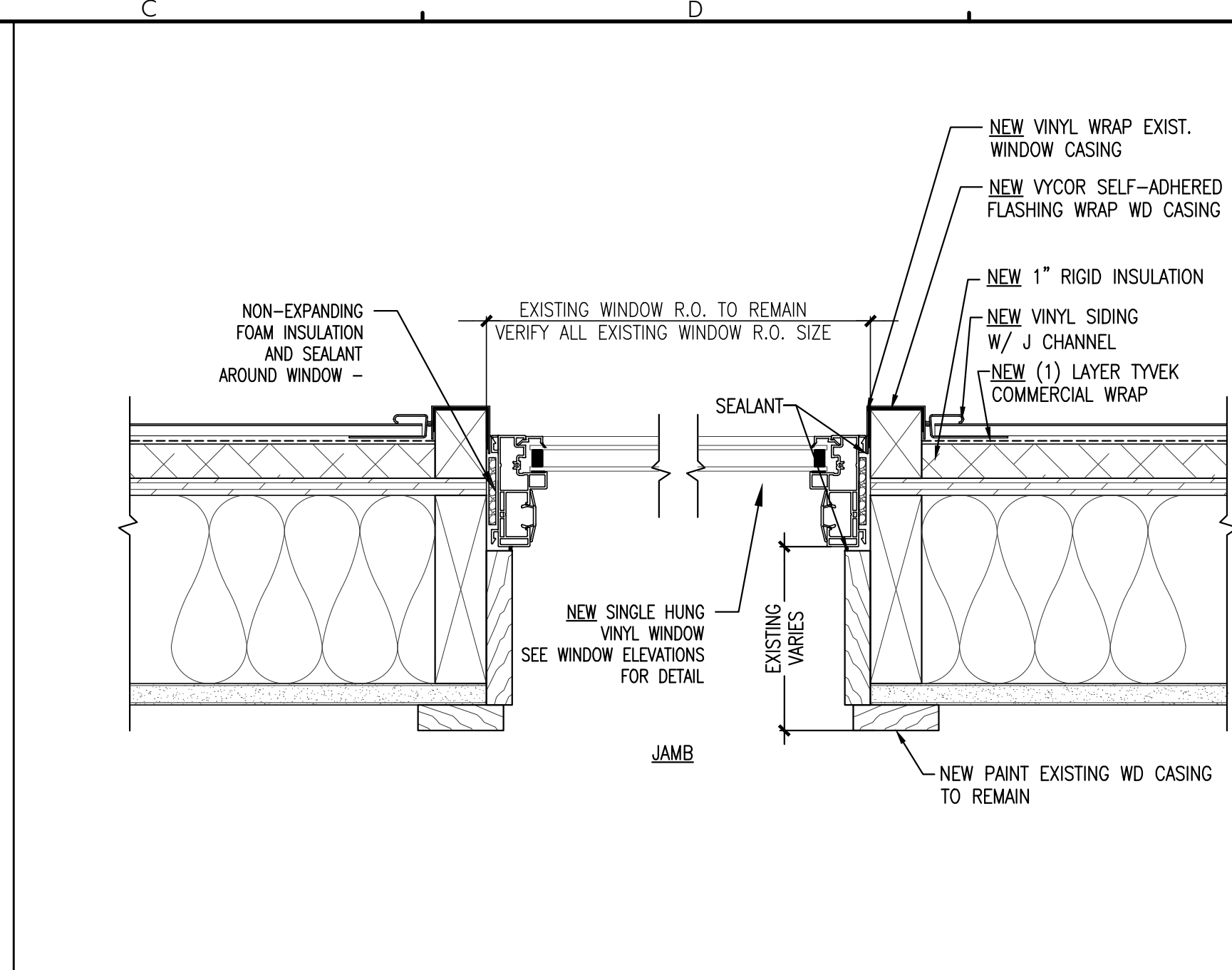
SCALE: AS NOTED
DATE: 1/13/2017



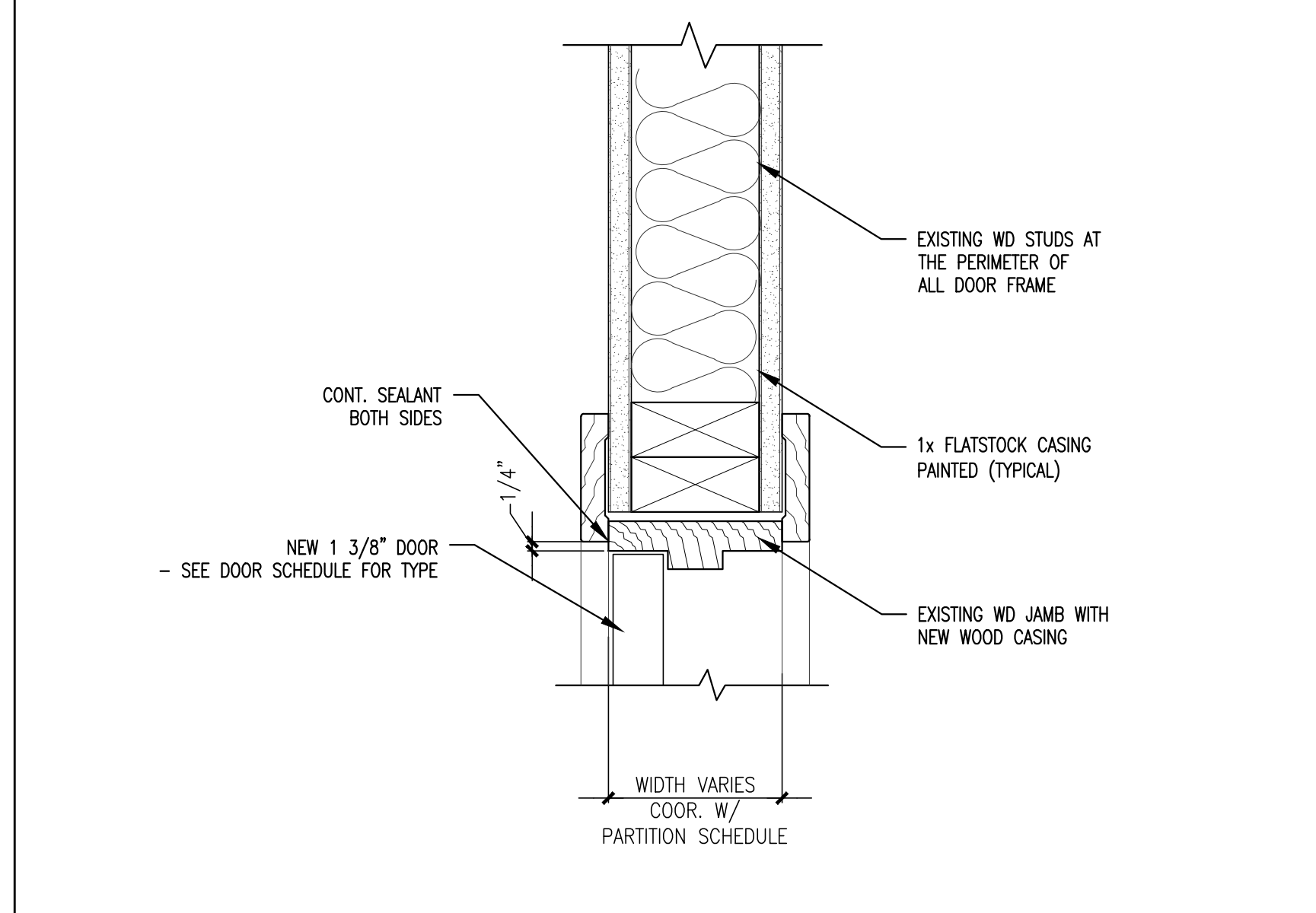
A3 WINDOW DETAIL
REFERENCED FROM: SCALE: 3" = 1'-0"



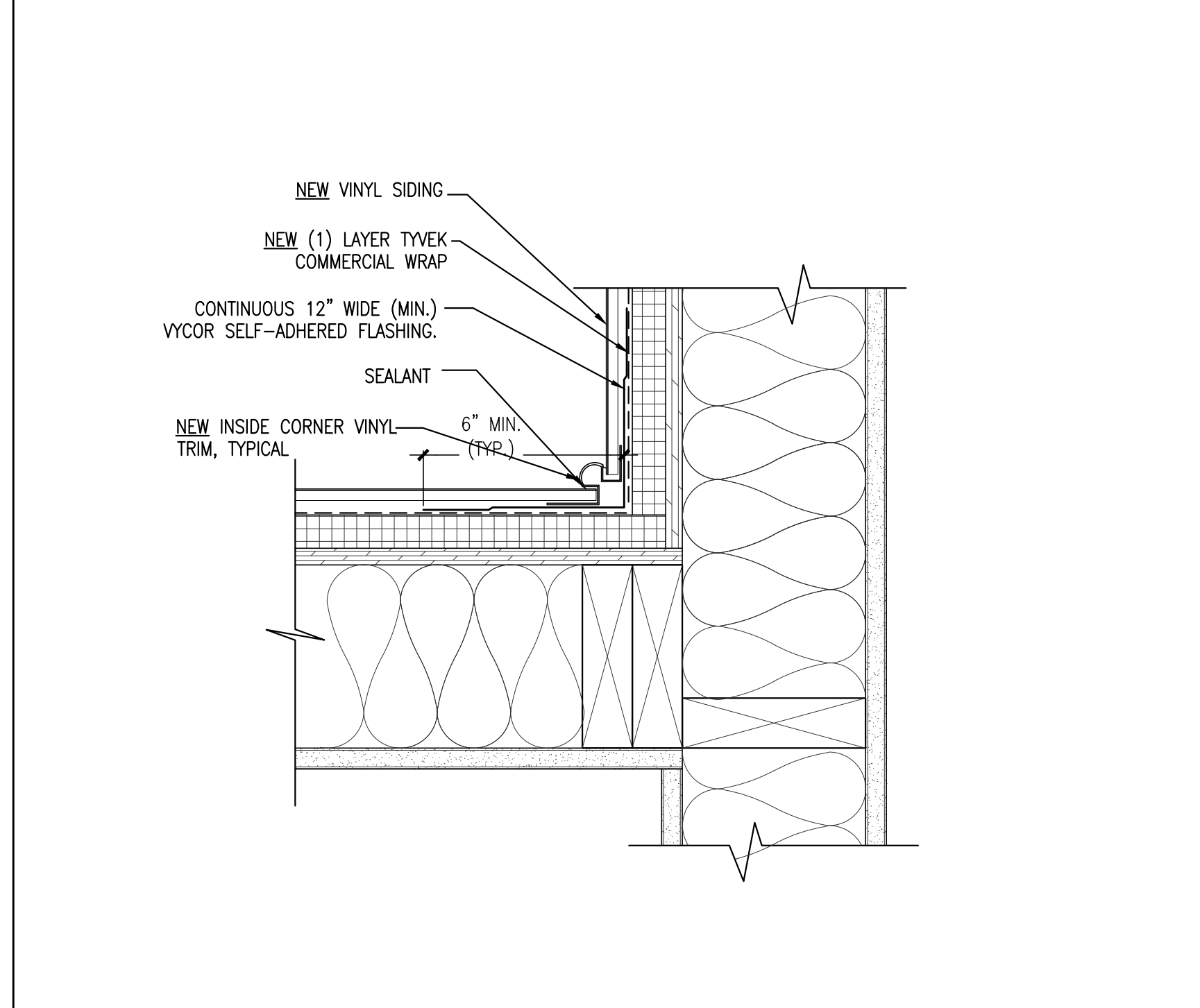
A5 OUTSIDE CORNER VINYL TRIM BOARD
REFERENCED FROM: SCALE: 3" = 1'-0"



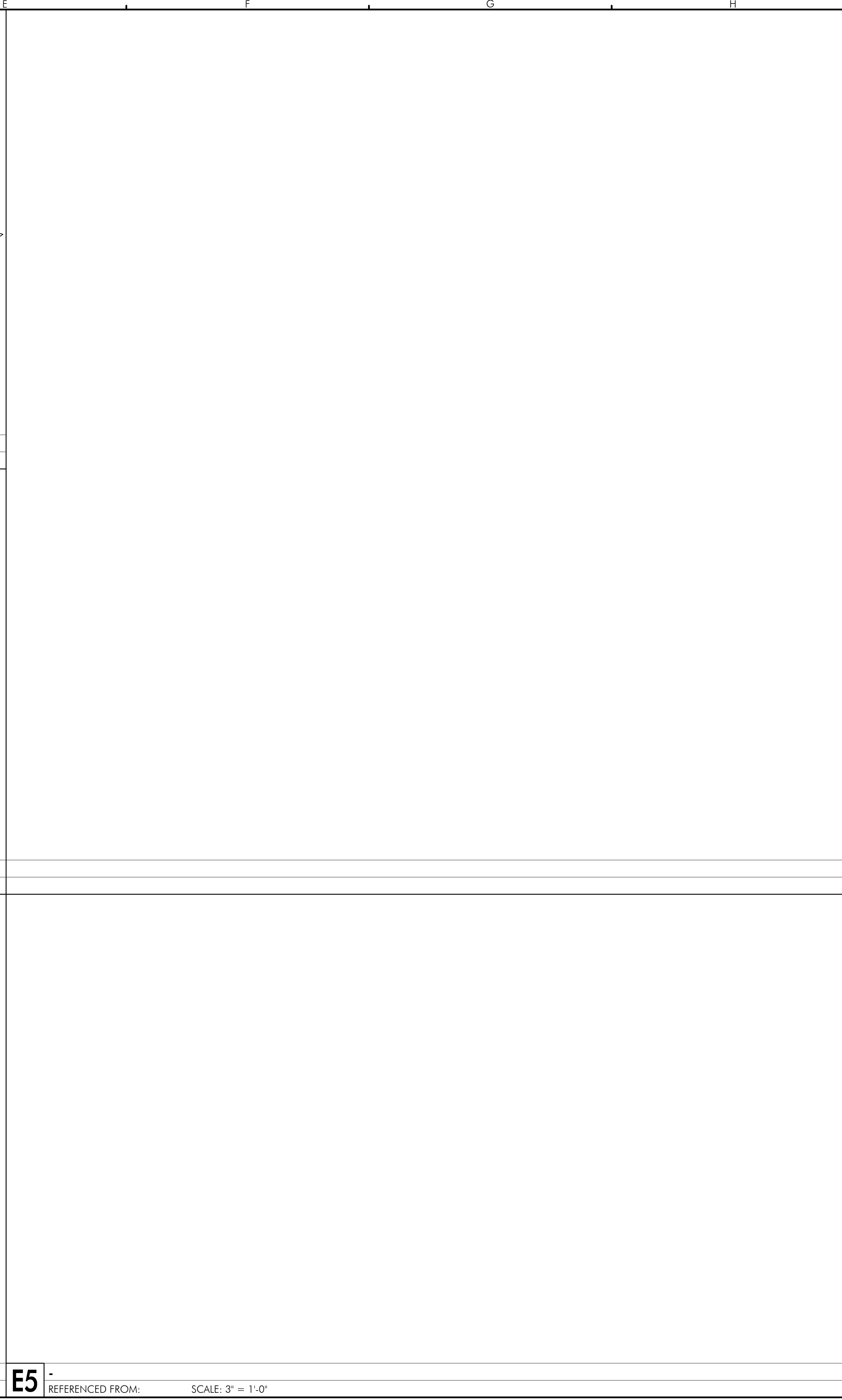
C2 WINDOW JAMB DETAIL
REFERENCED FROM: SCALE: 3" = 1'-0"



C3 DOOR JAMB
REFERENCED FROM: SCALE: 3" = 1'-0"



C5 INSIDE CORNER TRIM BOARD
REFERENCED FROM: SCALE: 3" = 1'-0"



E5 -
REFERENCED FROM: SCALE: 3" = 1'-0"