

DESIGNER

CWS ARCHITECTS  
ARCHITECTURE | INTERIOR DESIGN  
434 CUMBERLAND AVENUE  
PORTLAND, MAINE 04101  
T: 207.774.4441  
F: 207.774.4016  
WWW.CWSARCH.COM

OWNER

COMMUNITY HOUSING  
OF MAINE INC.

ONE CITY CENTER, 4TH FLOOR  
PORTLAND, MAINE 04101

PROJECT

548 SAINT JOHN STREET  
APARTMENT

548 SAINT JOHN STREET  
PORTLAND, MAINE 04101

DRAWING

FRONT ENTRY - EXTERIOR  
P.T. WOOD STAIR PLAN,  
SECTION AND DETAILS

CWS PROJECT NUMBER: 16.019

REVISIONS

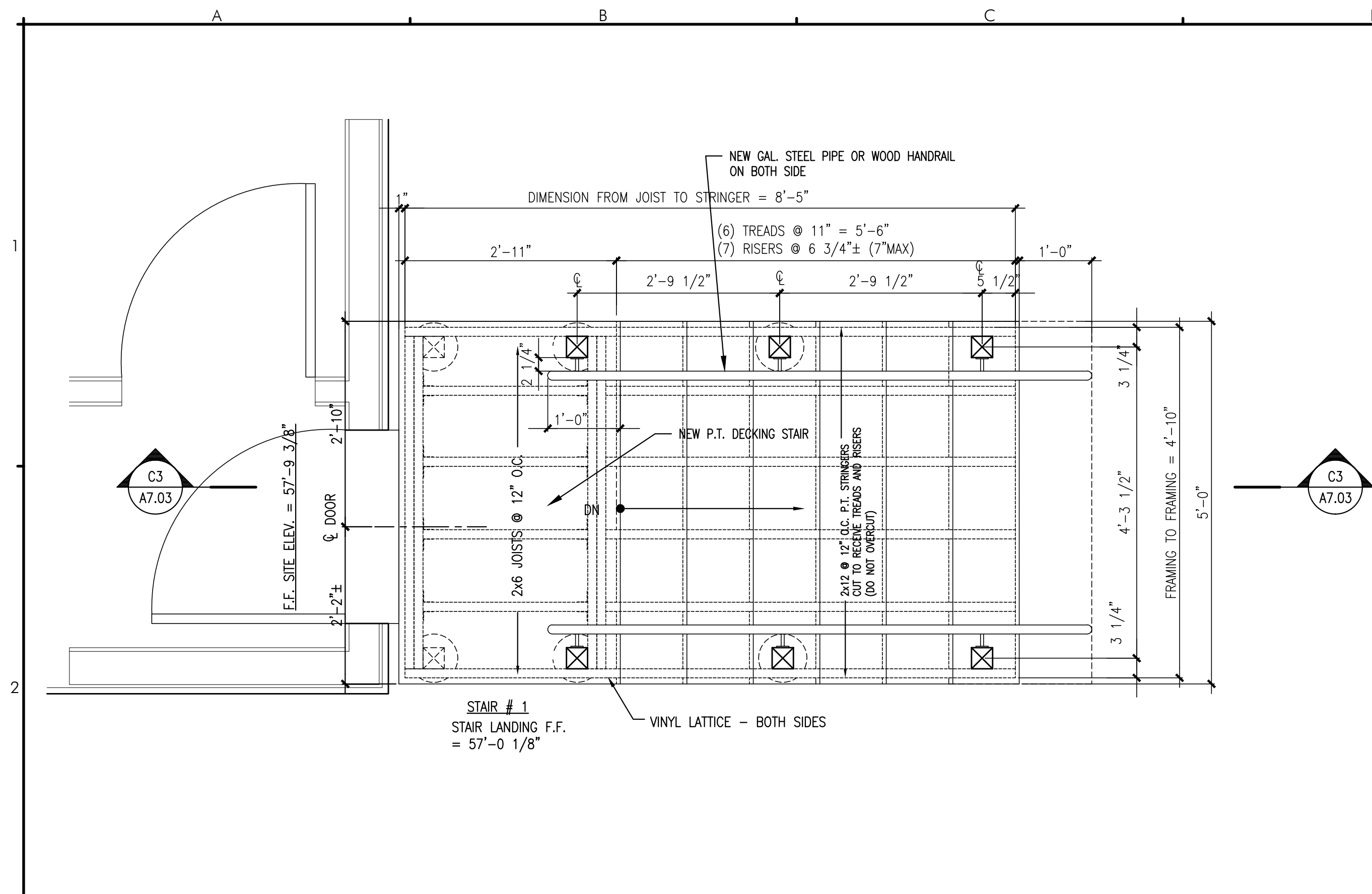
NO.	DESCRIPTION

DRAWING NUMBER

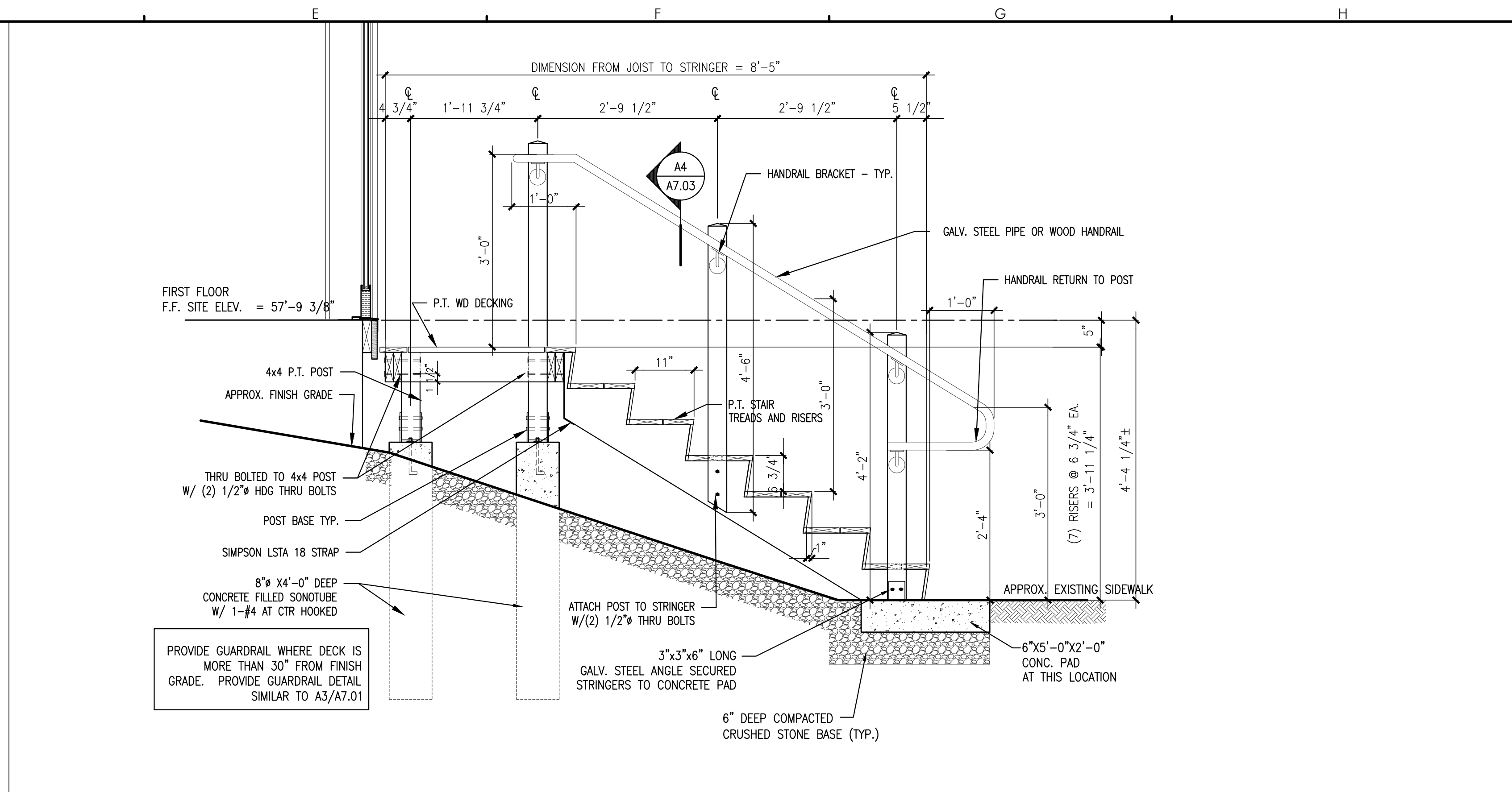
**A7.03**

SCALE: AS NOTED

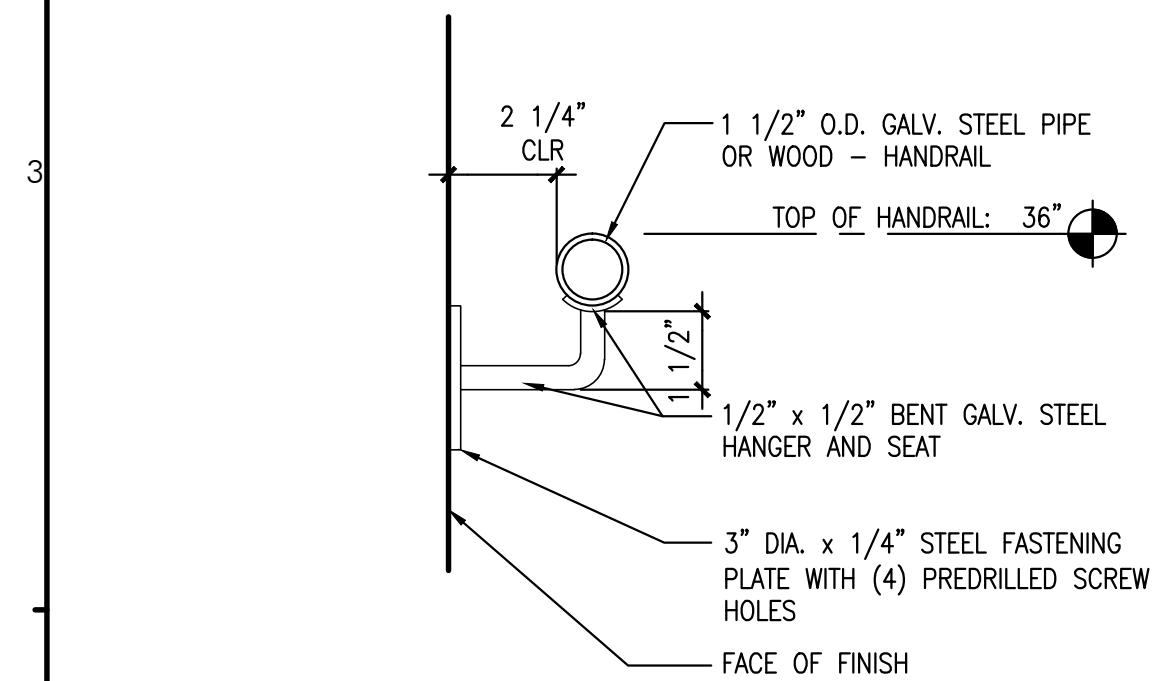
DATE: 1/13/2017



**A3** PRECAST CONCRETE STAIR # 1 AND 2 PLAN  
REFERENCED FROM: SCALE: 3/4" = 1'-0"



**C3** PRECAST CONCRETE STAIR # 1 AND 2 SECTION  
REFERENCED FROM: SCALE: 3/4" = 1'-0"



**A4** HANDRAIL DETAIL  
REFERENCED FROM: SCALE: 3" = 1'-0"

**C4** REFERENCED FROM:

**A5** REFERENCED FROM: SCALE: 3" = 1'-0"