

DESIGNER

CWS ARCHITECTS
ARCHITECTURE | INTERIOR DESIGN
434 CUMBERLAND AVENUE
PORTLAND, MAINE 04101
T: 207.774.4441
F: 207.774.4016
WWW.CWSARCH.COM

OWNER

COMMUNITY HOUSING
OF MAINE INC.

ONE CITY CENTER, 4TH FLOOR
PORTLAND, MAINE 04101

PROJECT

548 SAINT JOHN STREET
APARTMENT

DRAWING

INTERIOR DETAILS

REVISIONS

NO.	DESCRIPTION

DRAWING NUMBER
A4.03

SCALE: AS NOTED
DATE: 1/13/2017



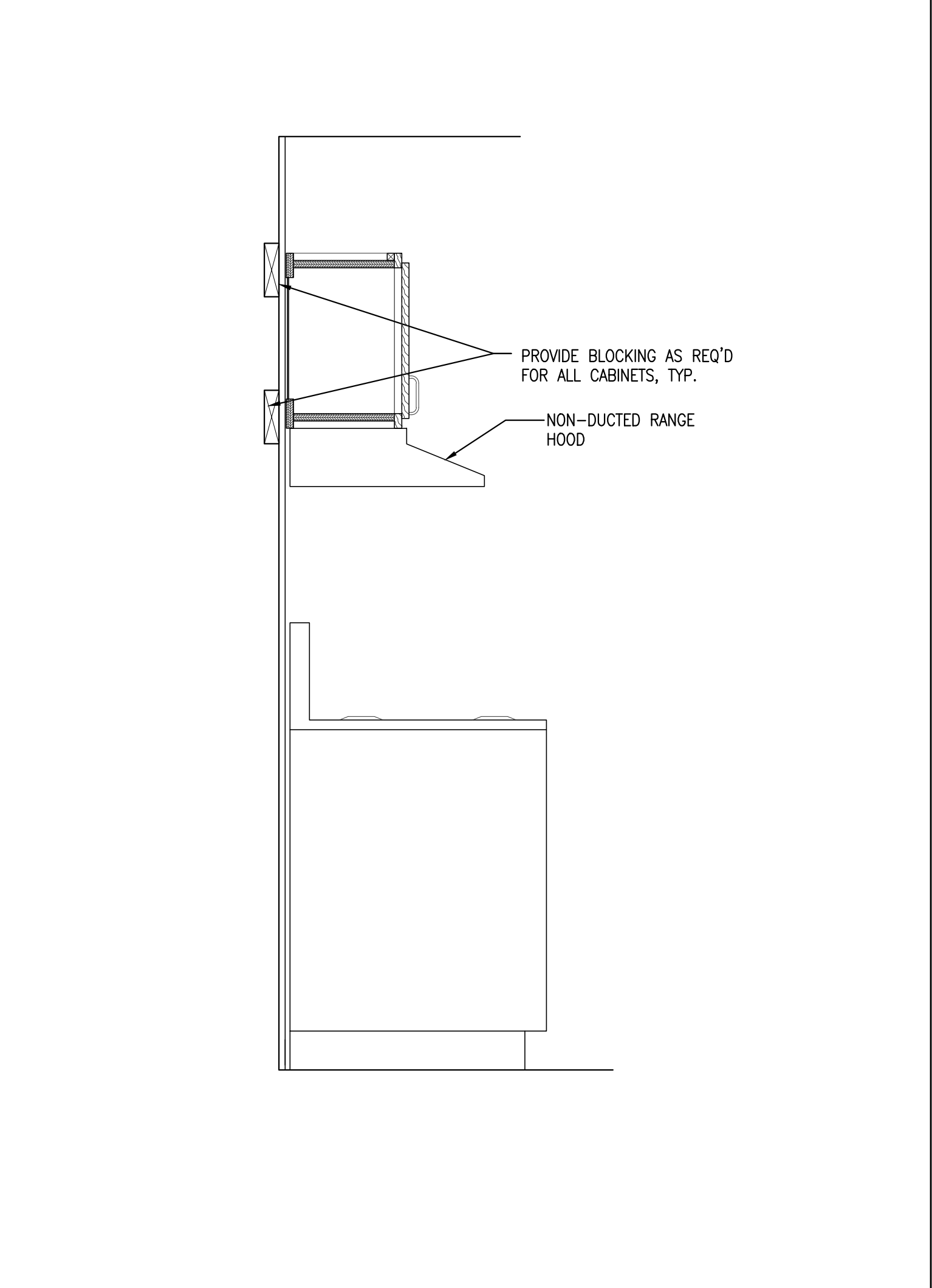
A3 -- REFERENCED FROM: SCALE:



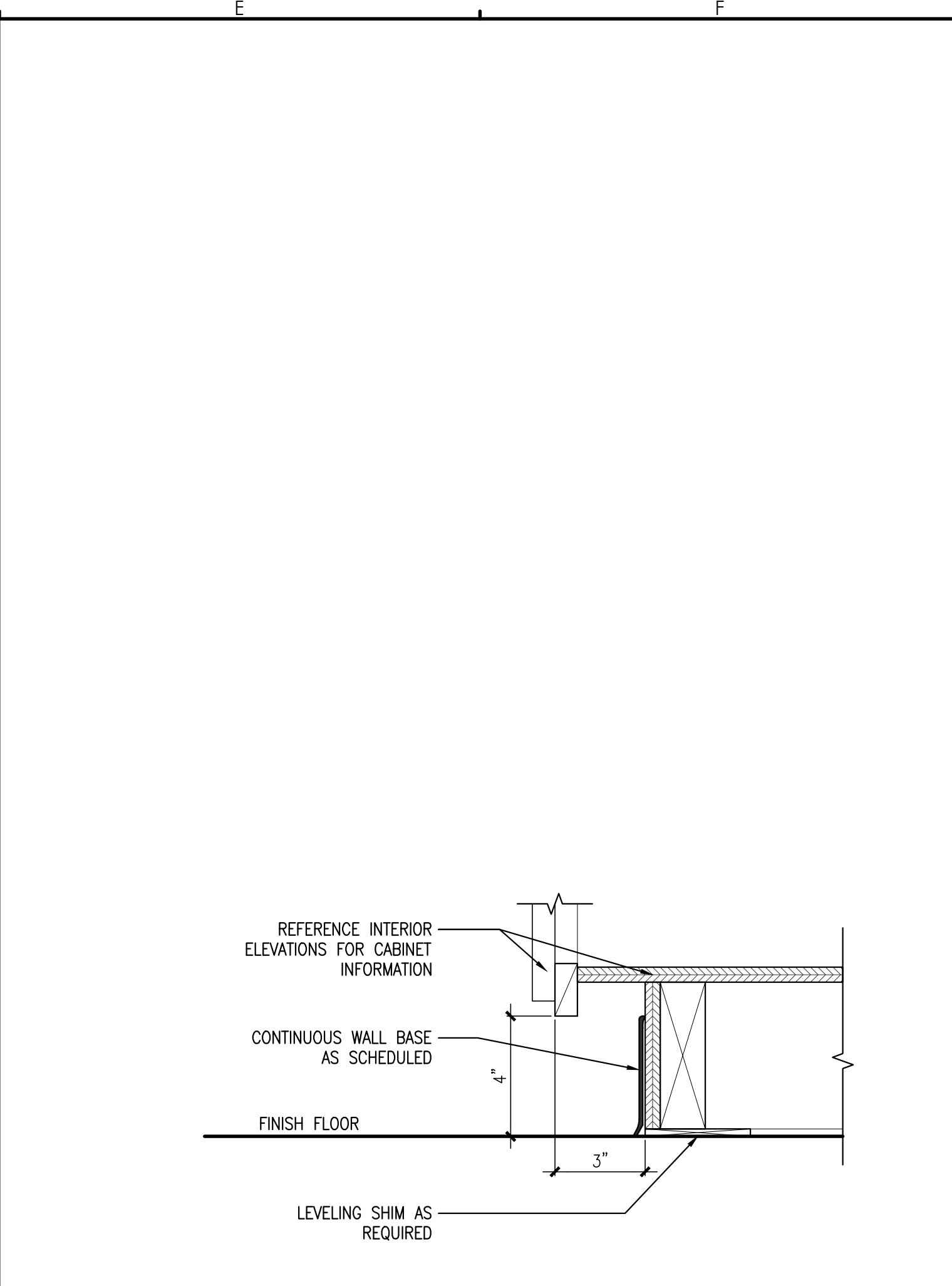
A5 -- REFERENCED FROM: SCALE:



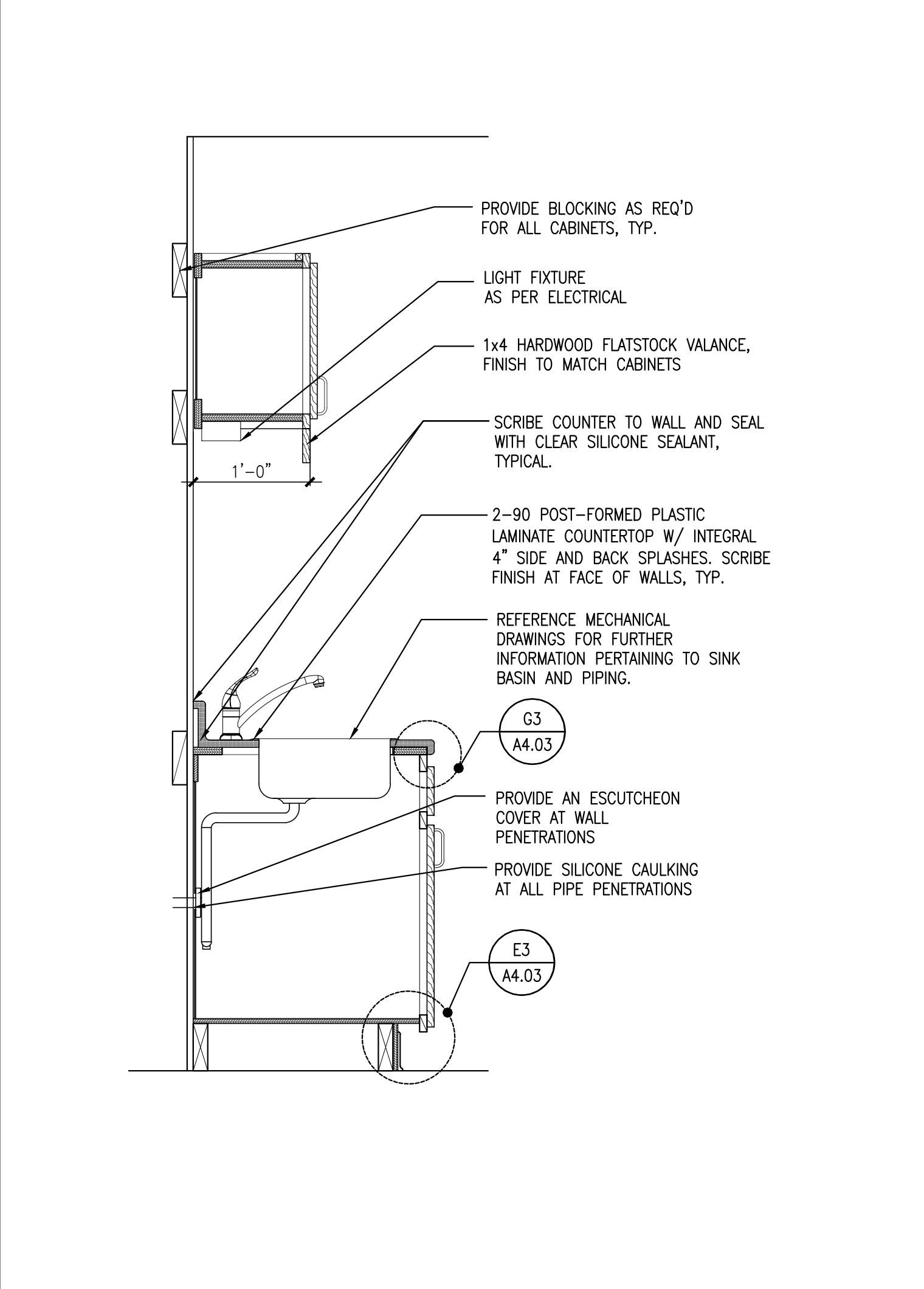
C3 -- REFERENCED FROM: SCALE:



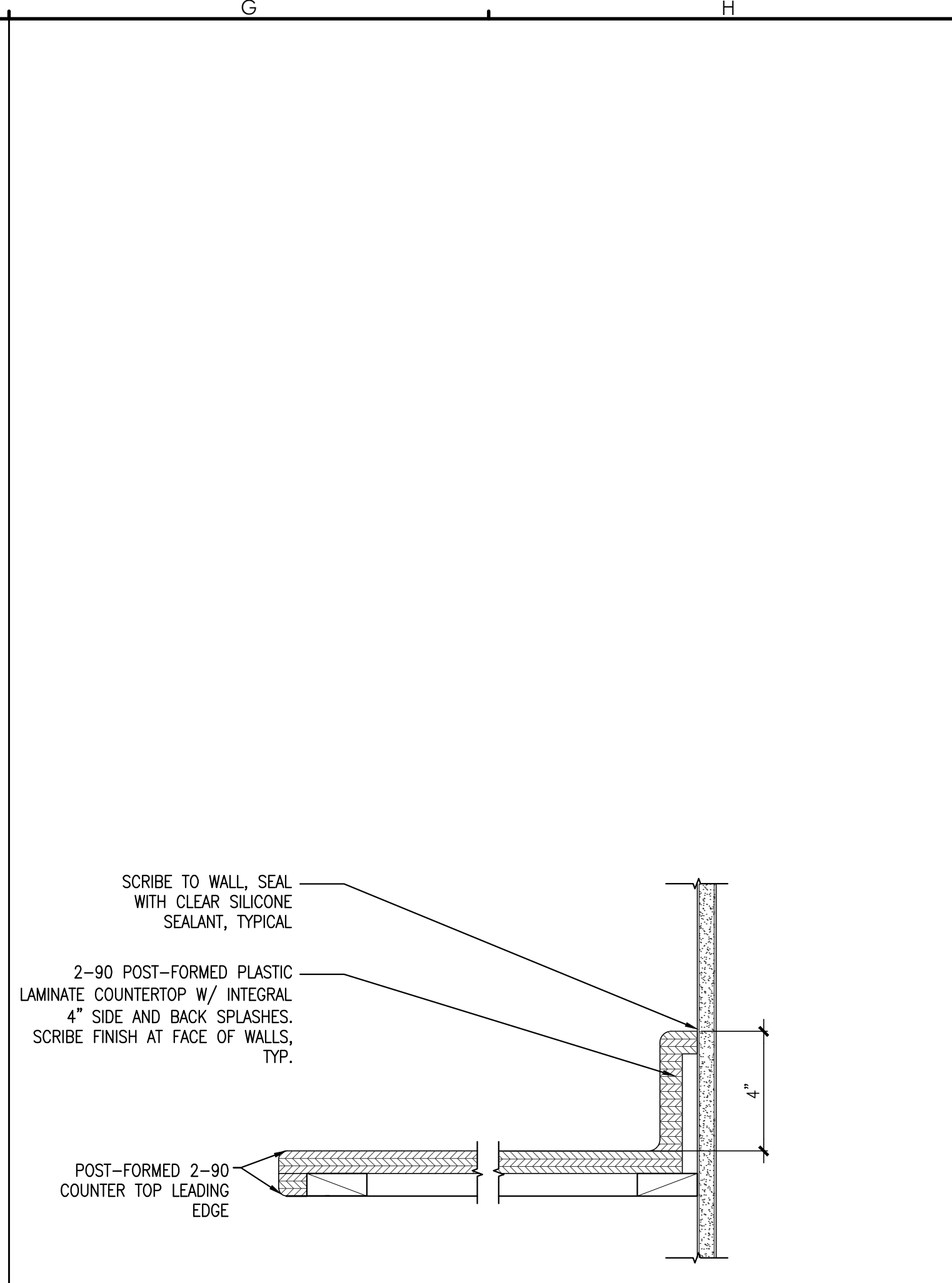
C5 TYPICAL DETAIL AT RANGE AND WALL CABINET DETAIL
REFERENCED FROM: SCALE: 1"=1'-0"



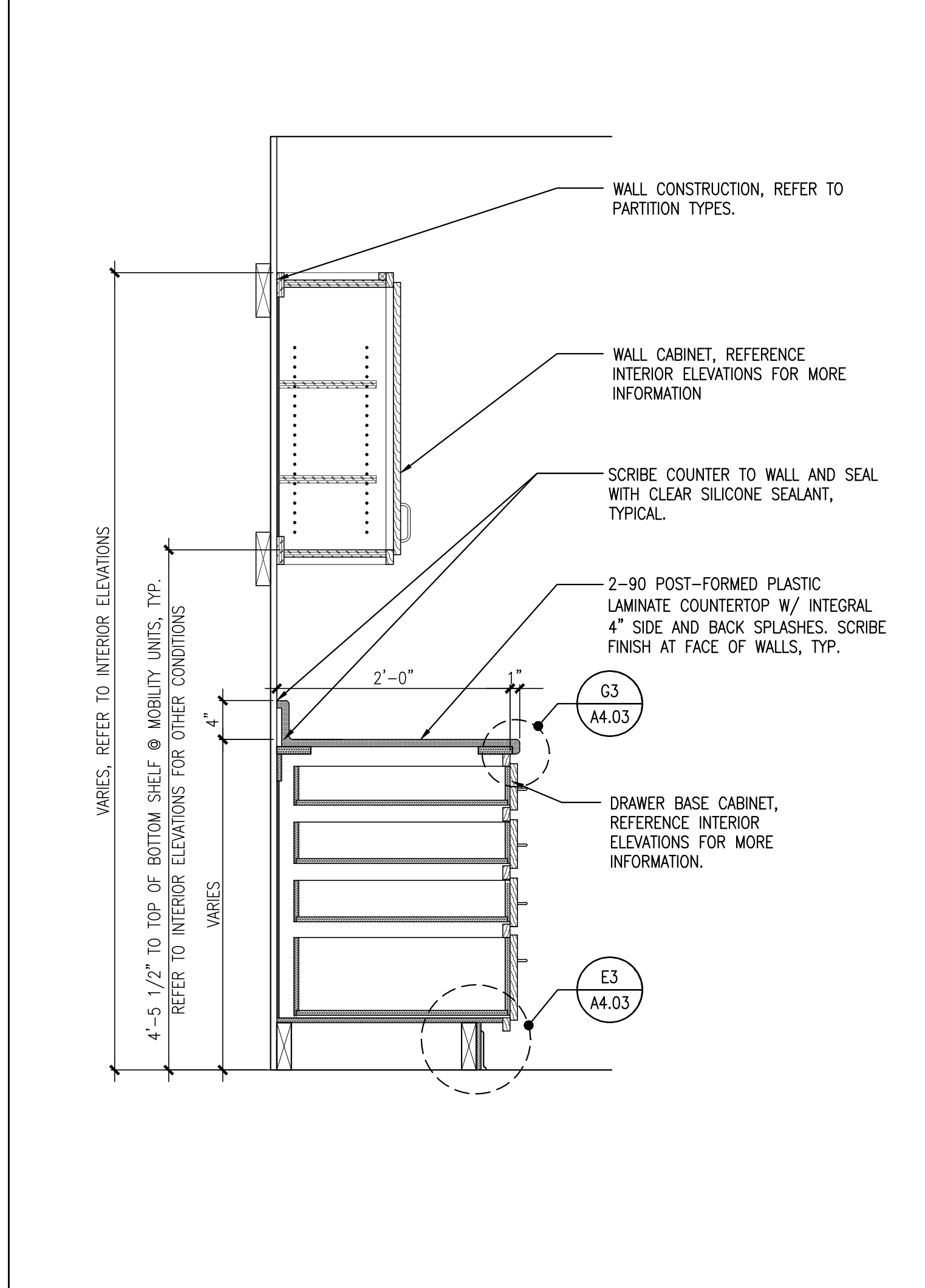
E3 TYPICAL CABINET BASE DETAIL
REFERENCED FROM: SCALE: 3"=1'-0"



E5 TYPICAL DETAIL AT KITCHEN SINK
REFERENCED FROM: SCALE: 1"=1'-0"



G3 TYPICAL COUNTERTOP EDGE AND BACKSPASH DETAIL
REFERENCED FROM: SCALE: 3"=1'-0"



G5 TYPICAL DRAWER BASE AND WALL CABINET DETAIL
REFERENCED FROM: SCALE: 1"=1'-0"