

CWS ARCHITECTS  
ARCHITECTURE | INTERIOR DESIGN  
434 CUMBERLAND AVENUE  
PORTLAND, MAINE 04101  
T: 207.774.4441  
F: 207.774.4016  
WWW.CWSARCH.COM

DESIGNER

OWNER

COMMUNITY HOUSING  
OF MAINE INC.

ONE CITY CENTER, 4TH FLOOR  
PORTLAND, MAINE 04101

PROJECT

548 SAINT JOHN STREET  
APARTMENT

548 SAINT JOHN STREET  
PORTLAND, MAINE 04101

DRAWING

ENLARGED KITCHEN PLANS  
AND KITCHEN INTERIOR  
ELEVATIONS

CWS PROJECT NUMBER: 16.019

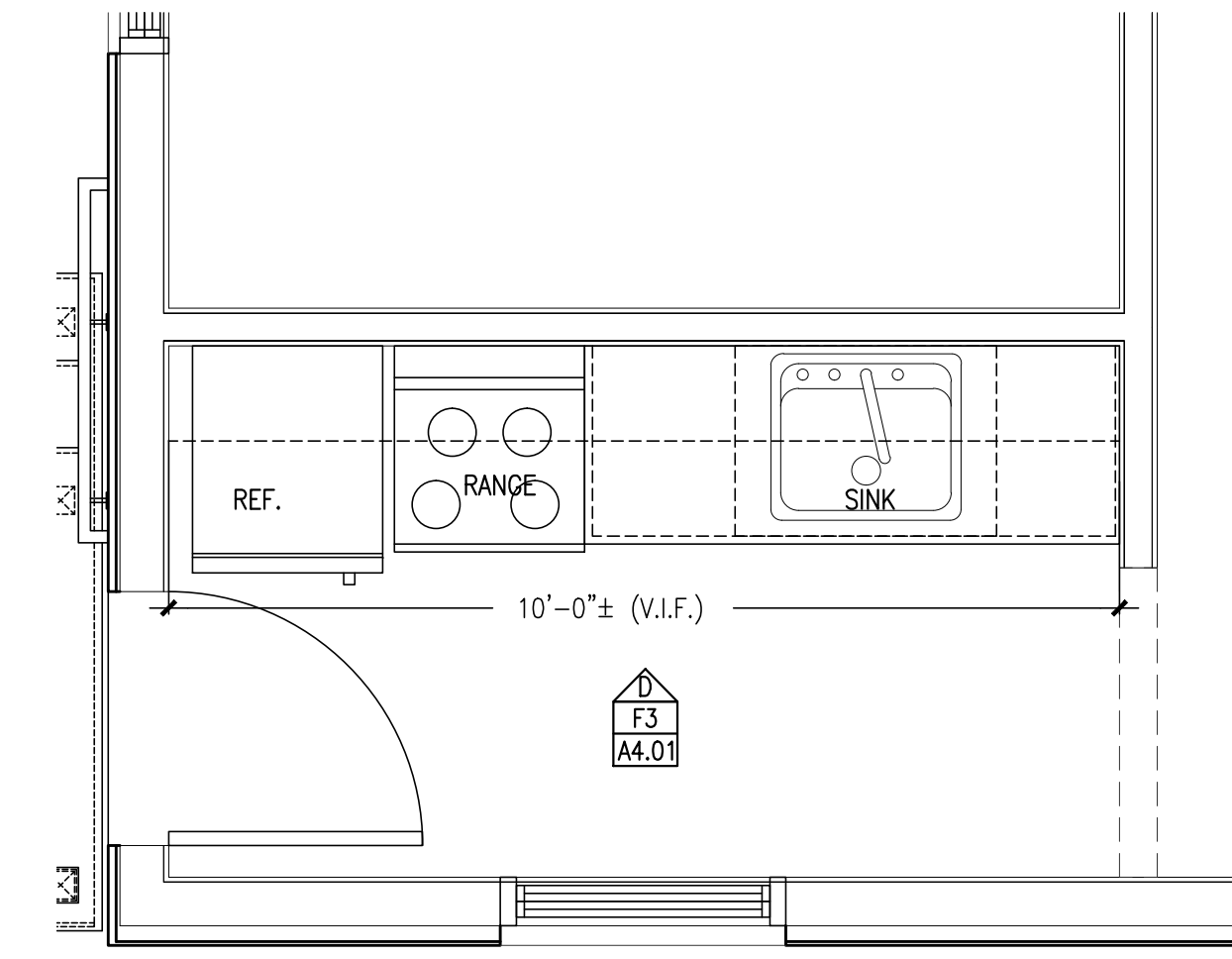
REVISIONS

DRAWING NUMBER

**A4.01**

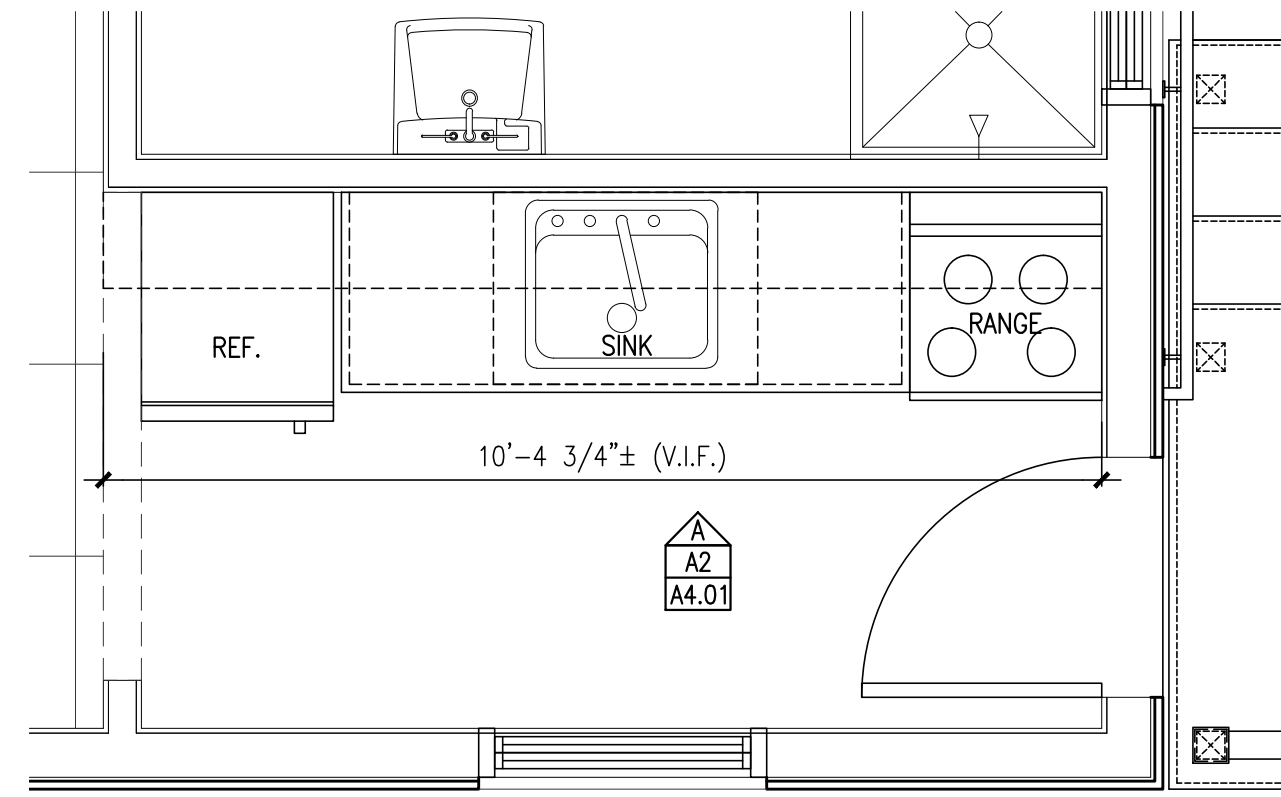
SCALE: AS NOTED

DATE: 1/13/2017



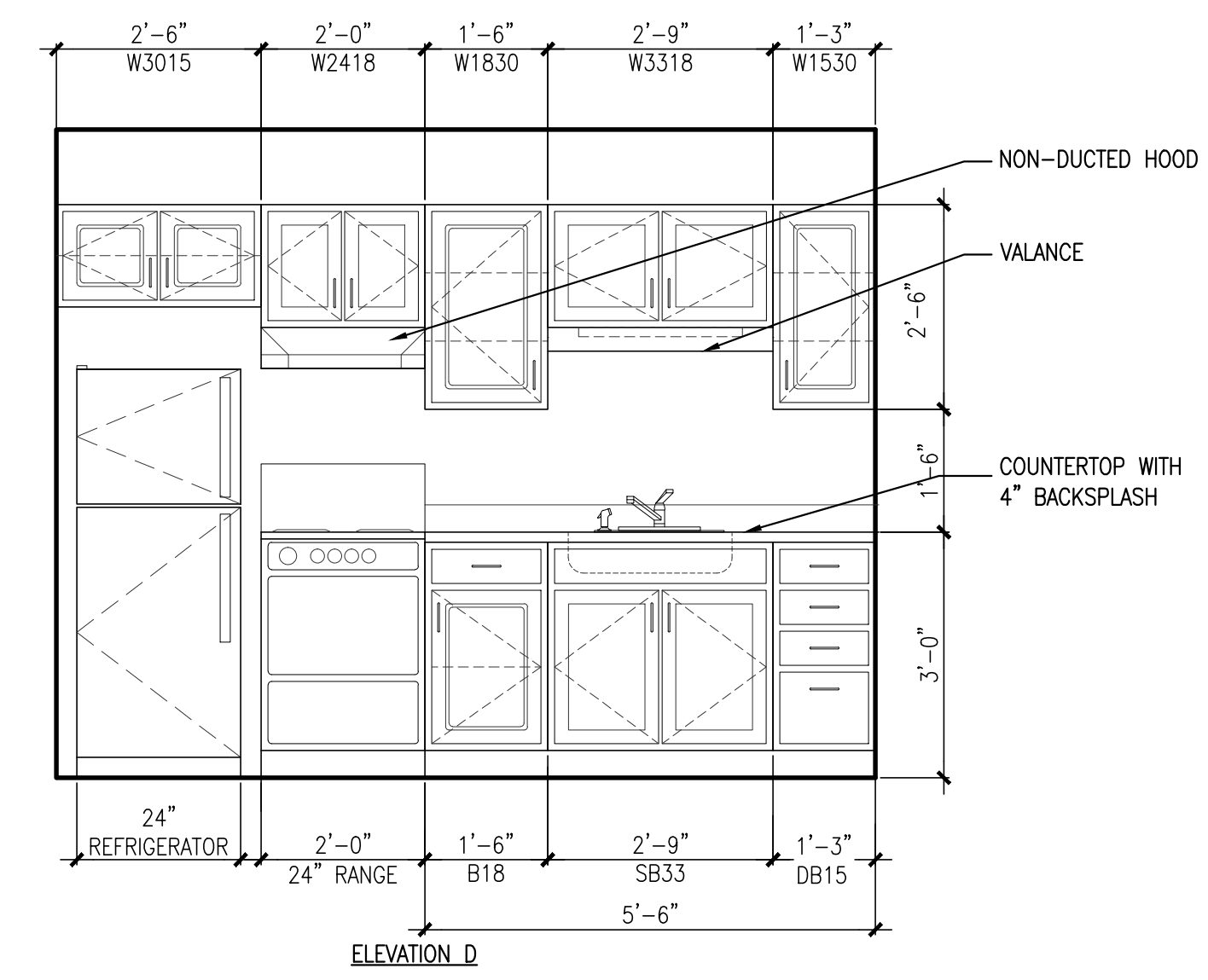
**F2** KITCHEN PLAN - UNIT 101

REFERENCED FROM: SCALE: 1/2" = 1'-0"



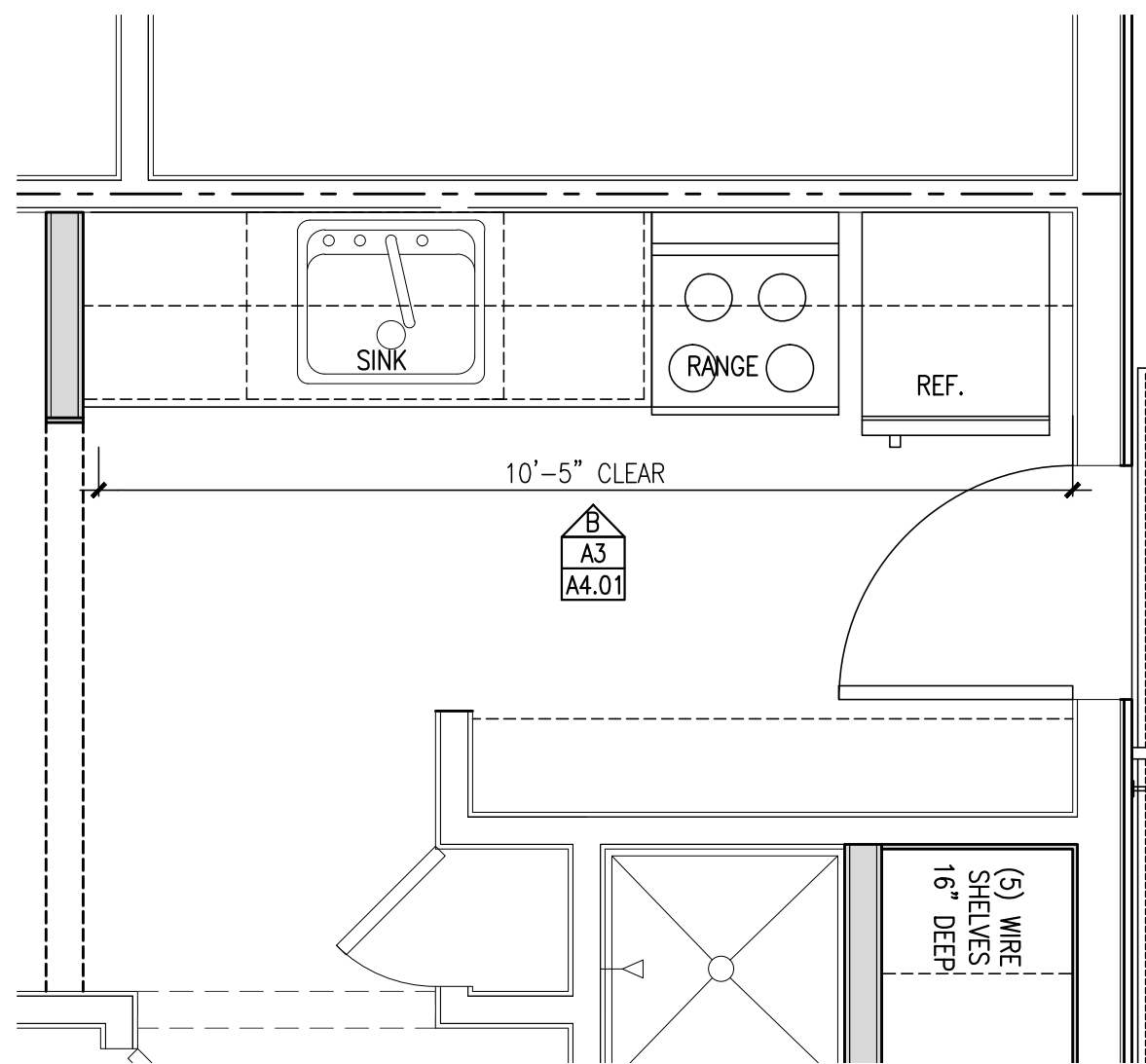
**C2** KITCHEN PLAN - UNIT 104

REFERENCED FROM: SCALE: 1/2" = 1'-0"



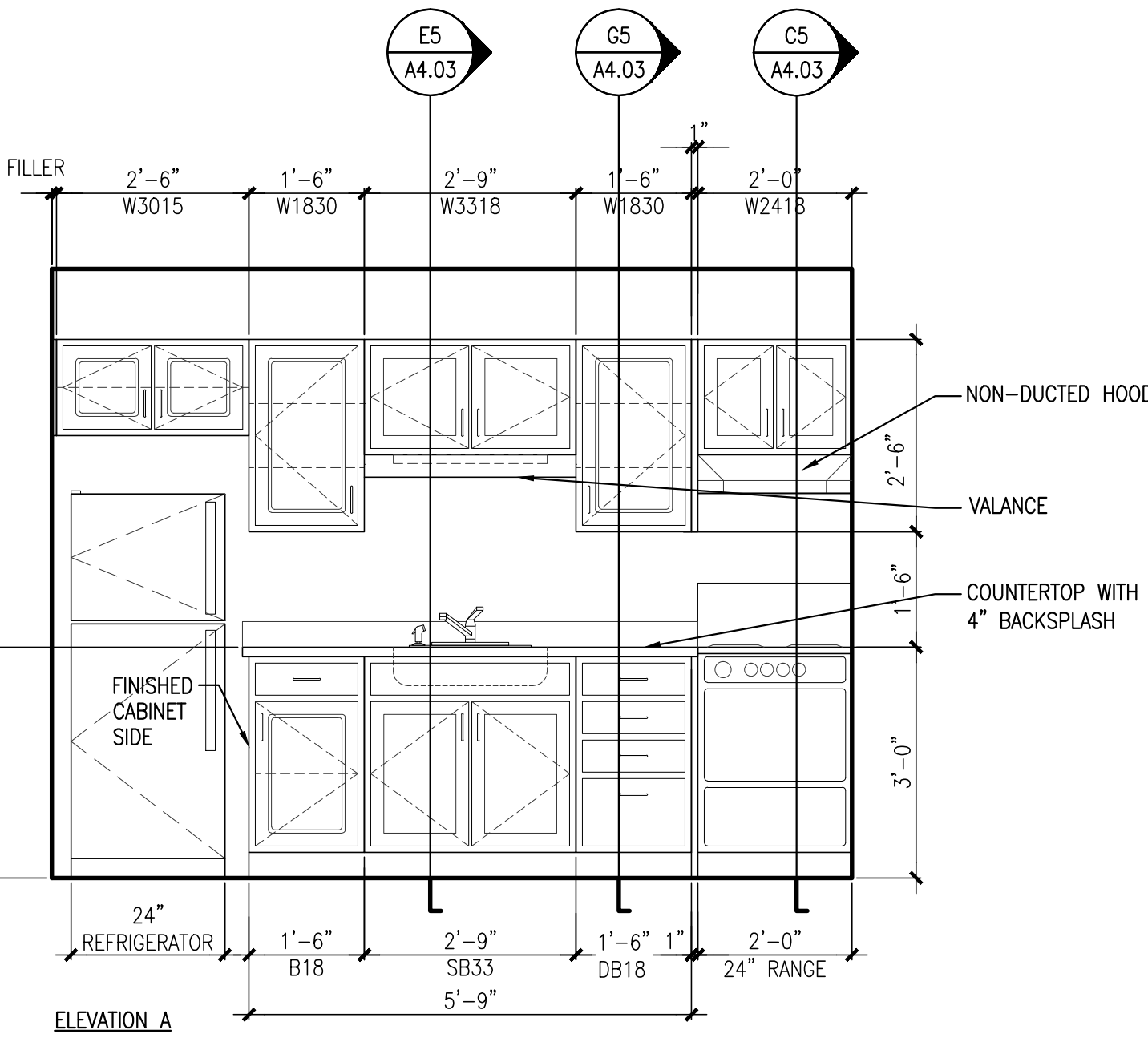
**F3** KITCHEN INTERIOR ELEVATION

REFERENCED FROM: SCALE: 1/2" = 1'-0"



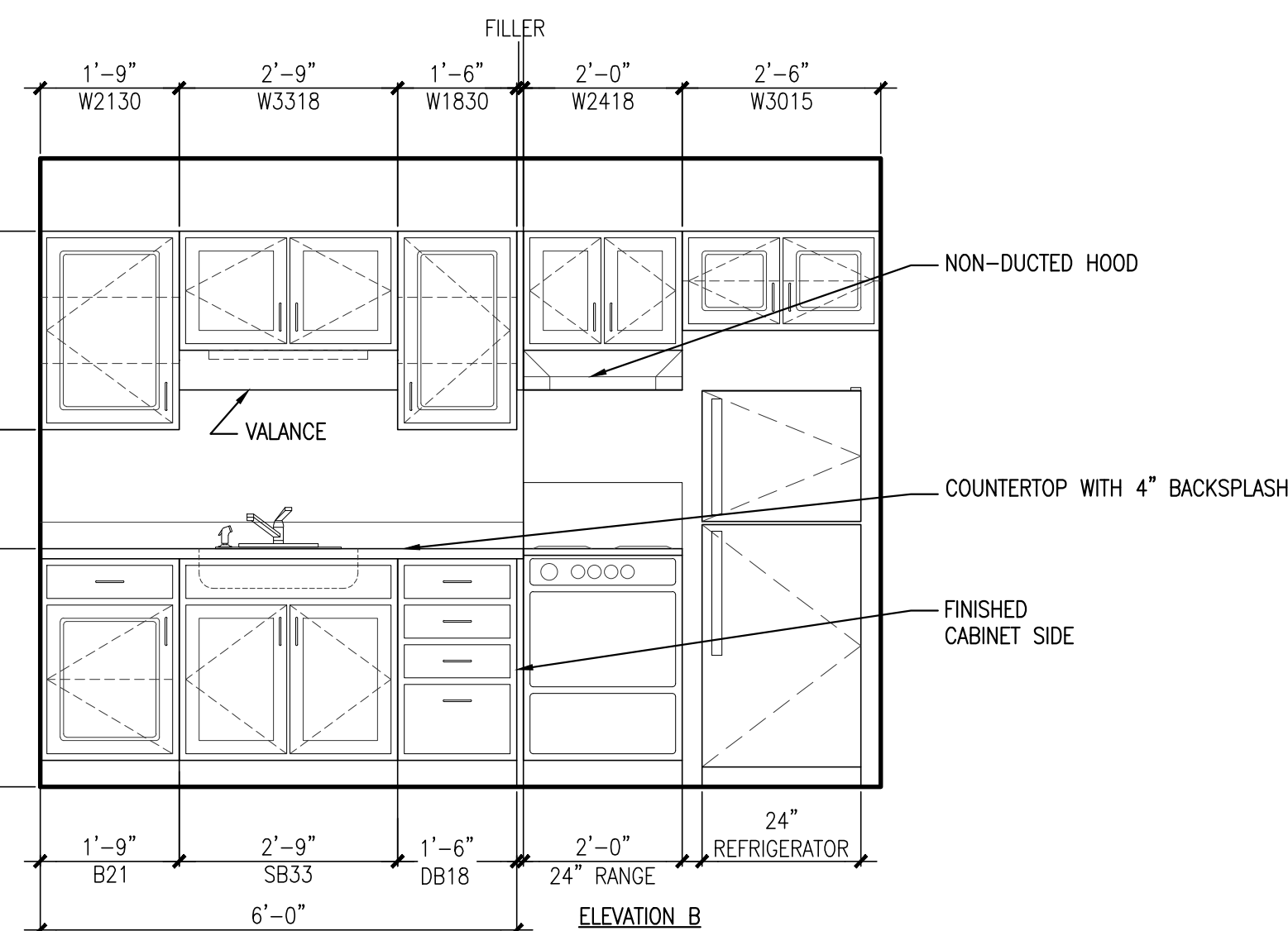
**C3** KITCHEN PLAN - UNIT 103

REFERENCED FROM: SCALE: 1/2" = 1'-0"



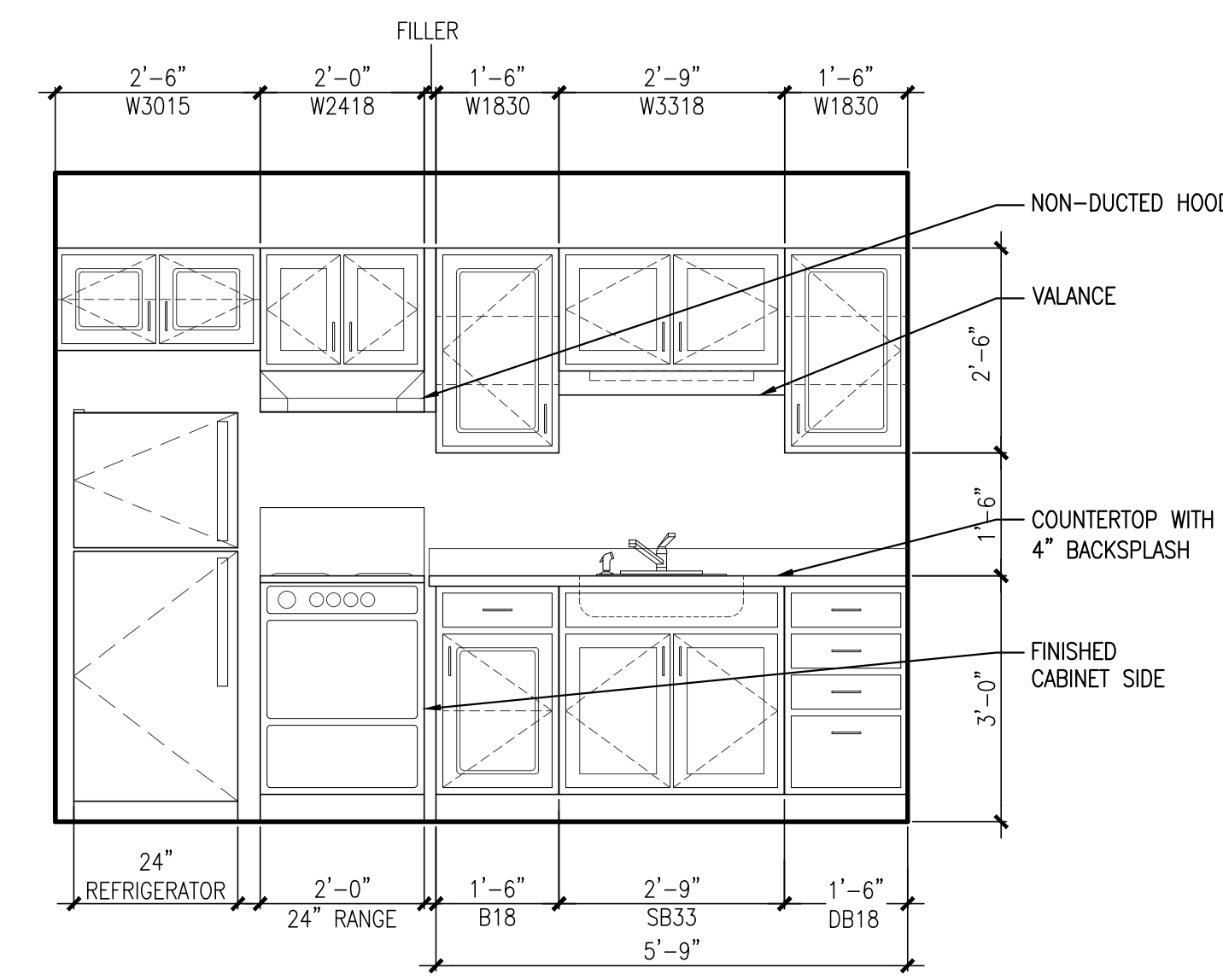
**A2** KITCHEN INTERIOR ELEVATION

REFERENCED FROM: SCALE: 1/2" = 1'-0"



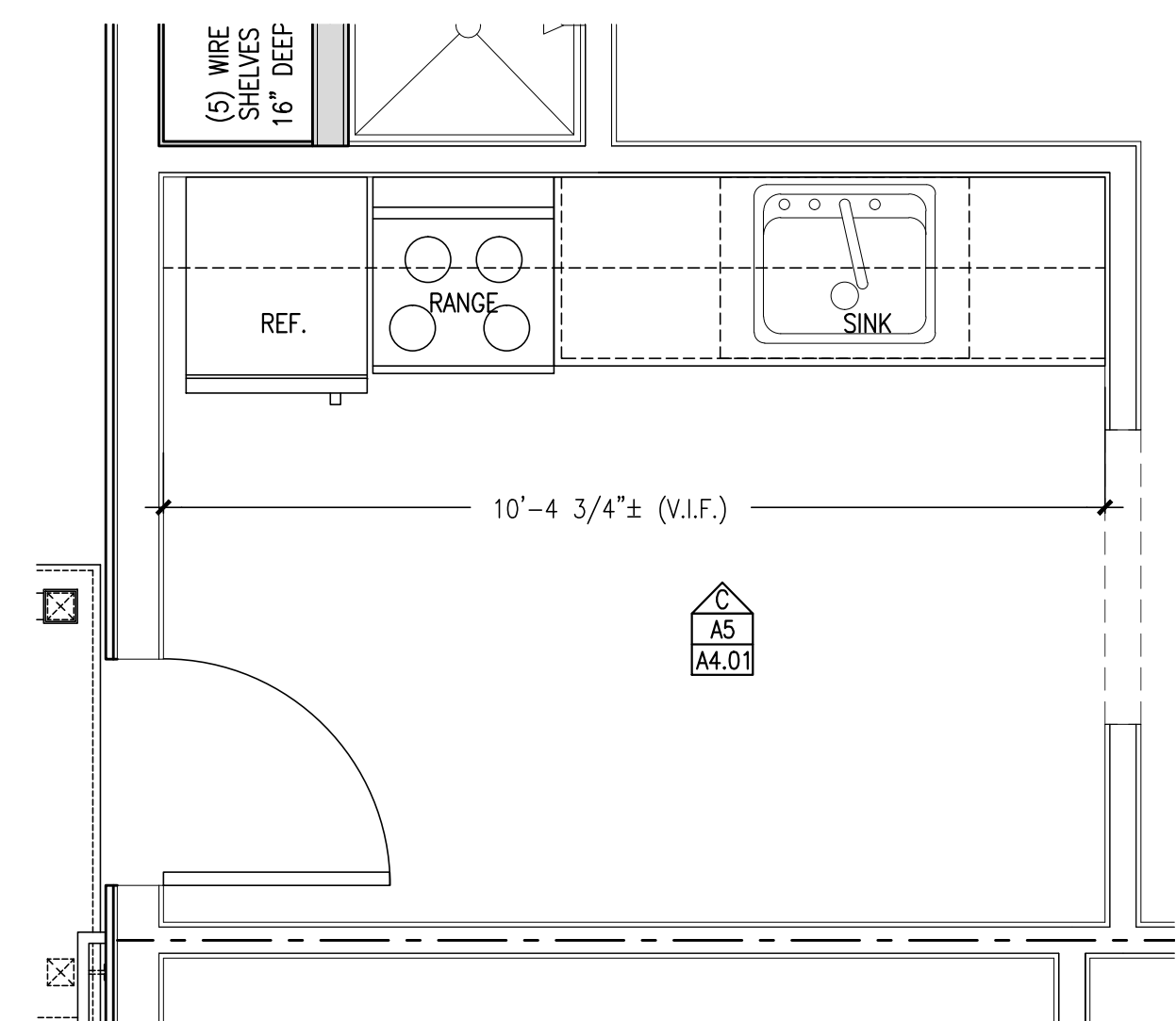
**A3** KITCHEN INTERIOR ELEVATION

REFERENCED FROM: SCALE: 1/2" = 1'-0"



**A5** KITCHEN INTERIOR ELEVATION

REFERENCED FROM: SCALE: 1/2" = 1'-0"



**C5** KITCHEN PLAN - UNIT 102

REFERENCED FROM: SCALE: 1/2" = 1'-0"