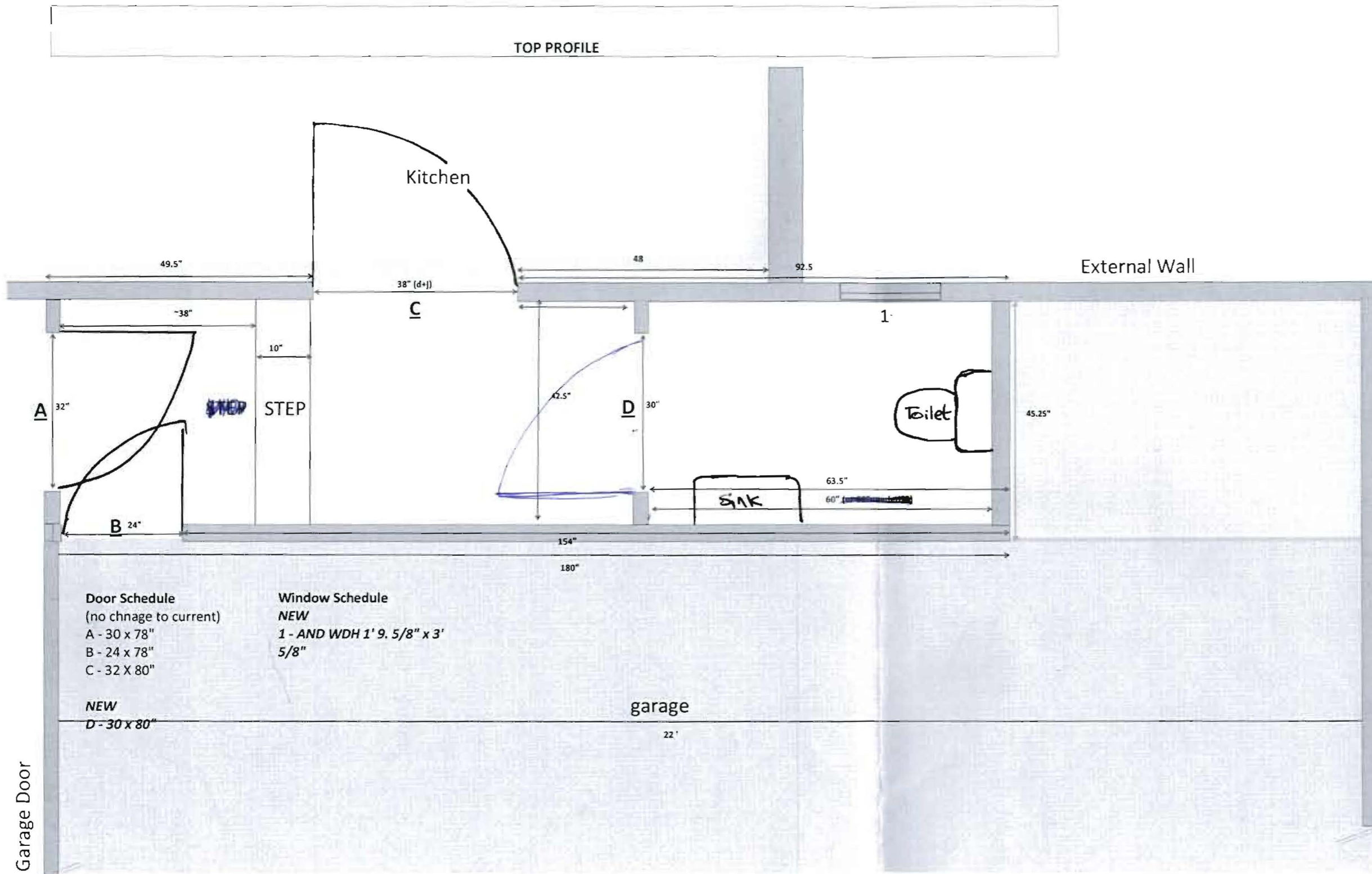
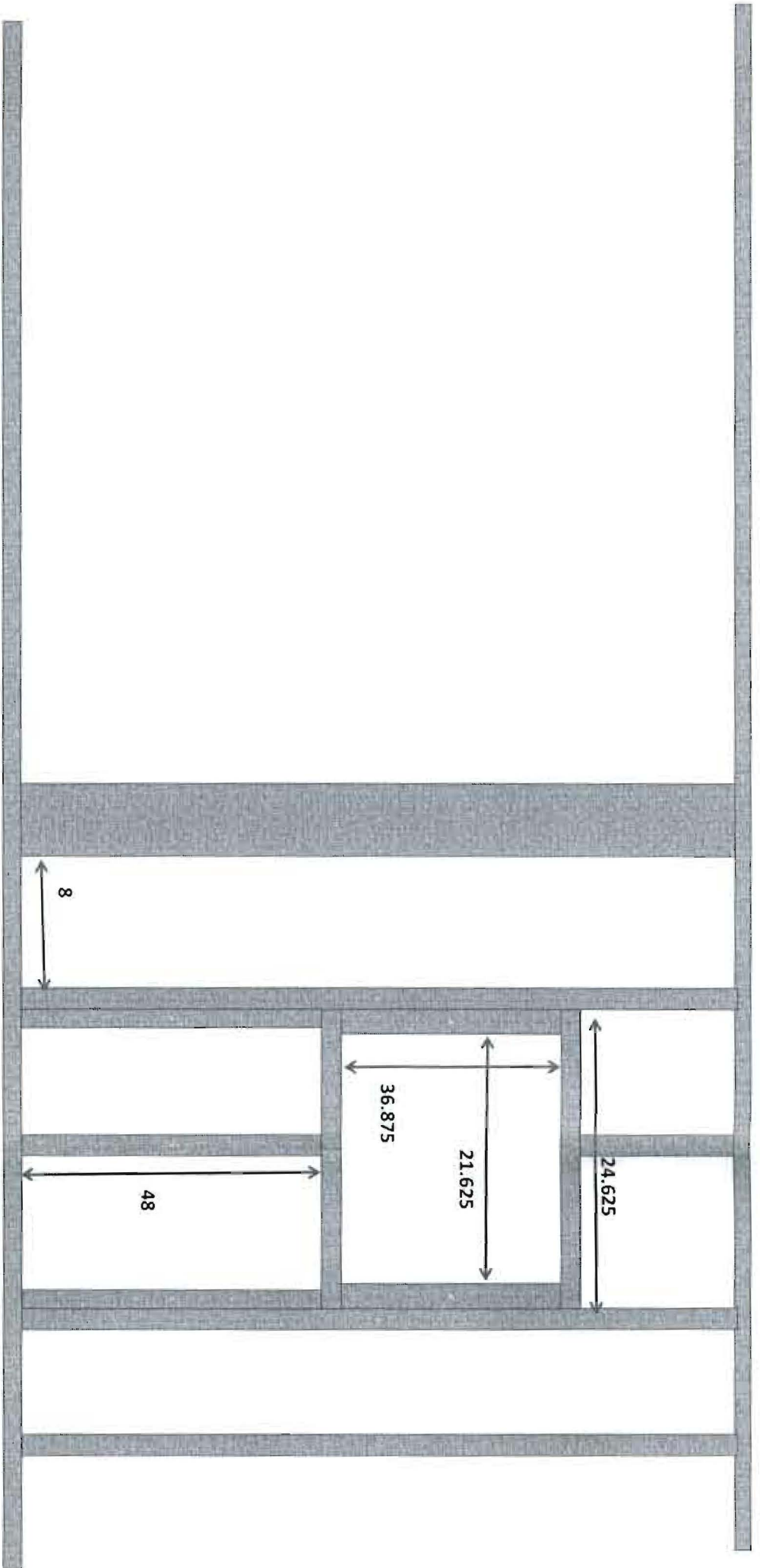


9.5~' to External



9.5~' to External

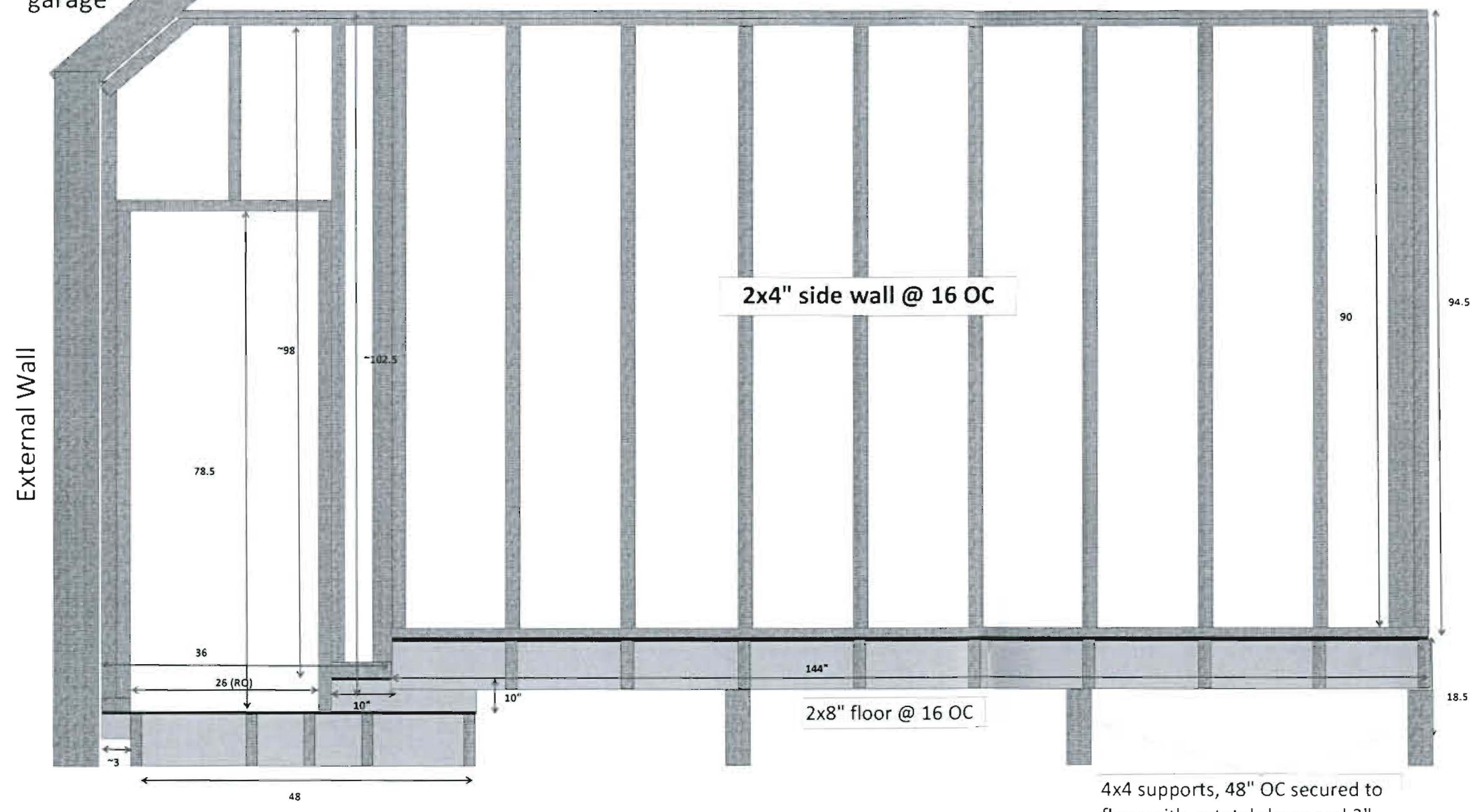
WALL ELEVATION (new window)



SIDE ELEVATION

non connected roof - Garage roog ~8' higher. Ceiling of structure will be 2x4 16OC

secured to rafter of garage



2x4" side wall @ 16 OC

2x8" floor @ 16 OC

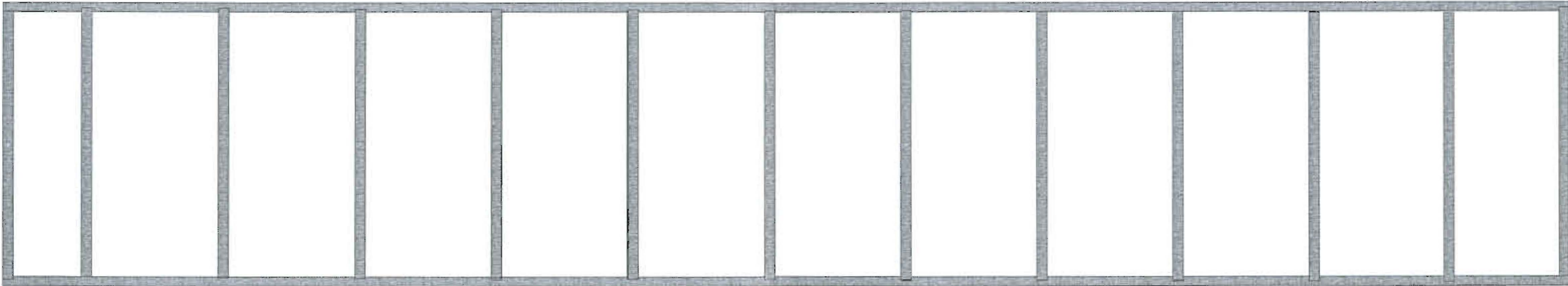
4x4 supports, 48" OC secured to floor with metal shoes and 3" concrete screws

External Wall

Top View

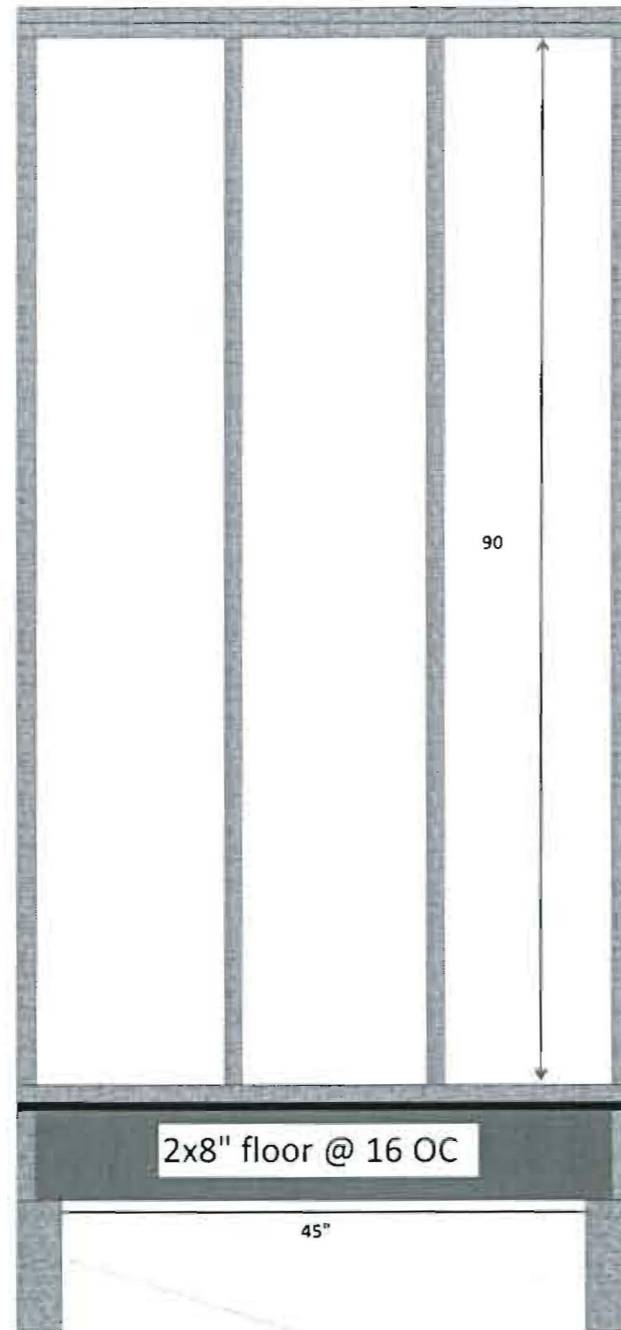
non connected roof - Garage roog ~8' higher. Ceiling of structure will be 2x4 16OC

Secured to existing wall



REAR ELEVATION

2x4" back wall @ 16 OC



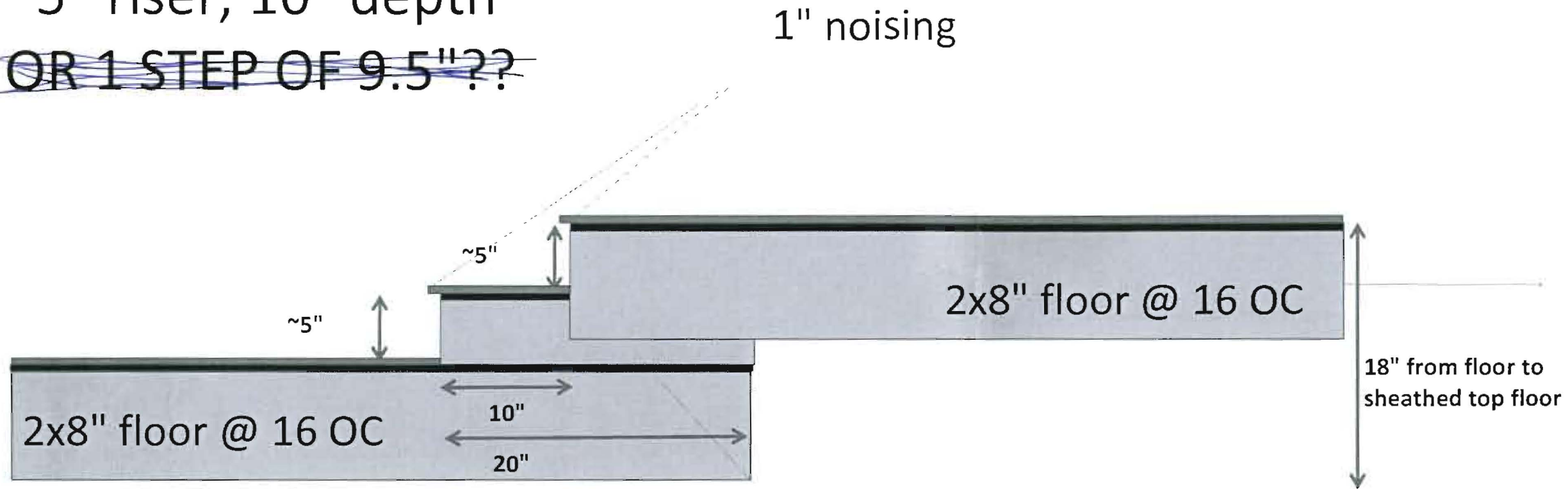
Secured to existing wall

4x4 supports, secured to floor with metal shoes and 3" concrete screws

# Step Detail;

~5" riser, 10" depth

~~OR 1 STEP OF 9.5"??~~



1" nosing

2x8" floor @ 16 OC

2x8" floor @ 16 OC

18" from floor to sheathed top floor

2x5" step - notched to support and accomadate 2x8 floor