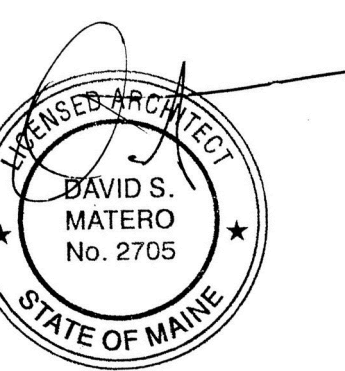


Consultants

Revisions

Portland Water
District - Office
Renovation

225 Douglass Street
Portland, Maine 04102



Job Number: 13.000

Date: 11.01.13

Scale: 1/4" = 1'-0"

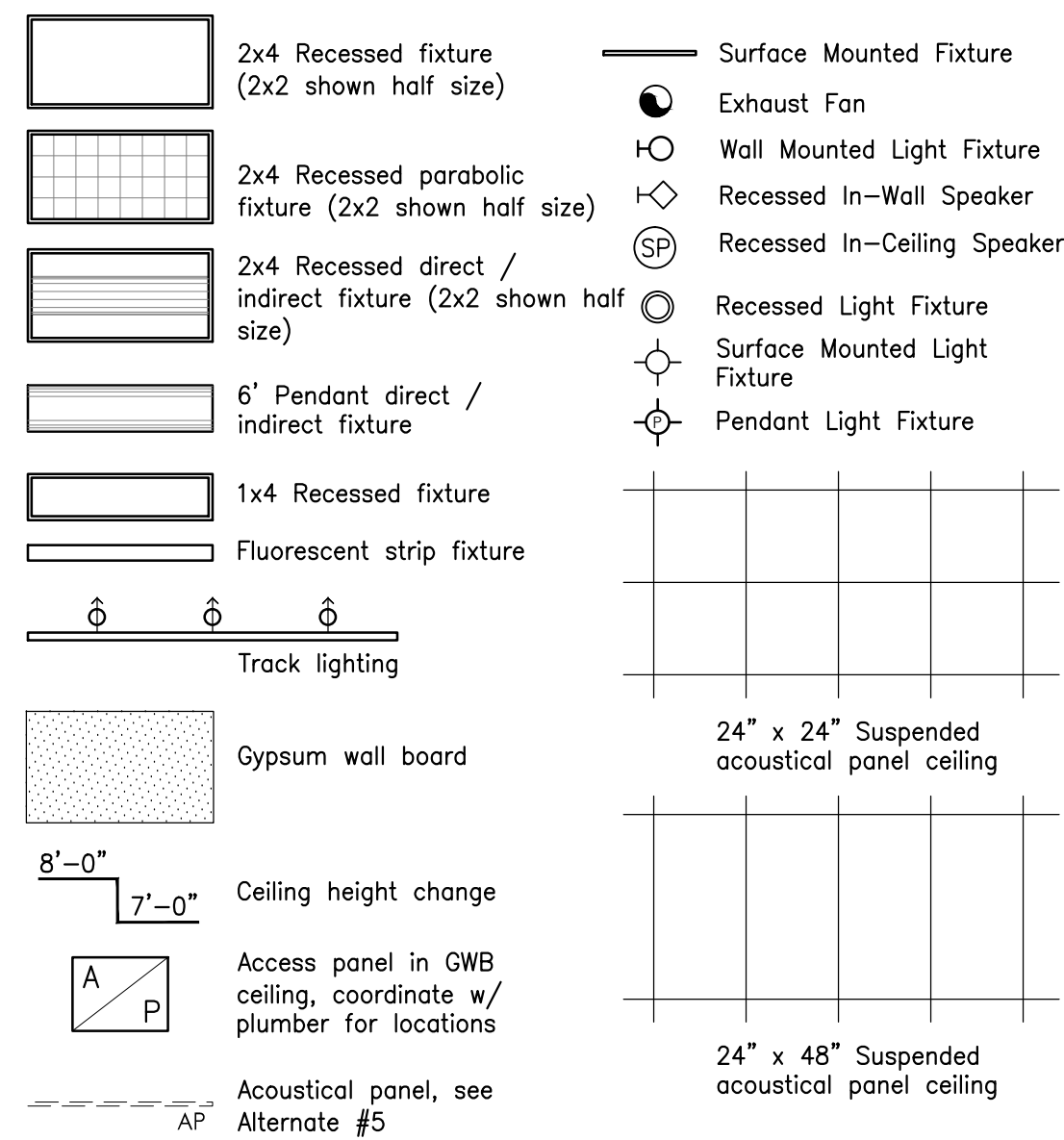
Drawing Title:

Reflected
Ceiling Plan

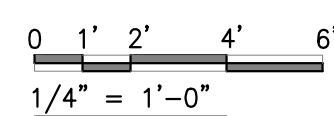
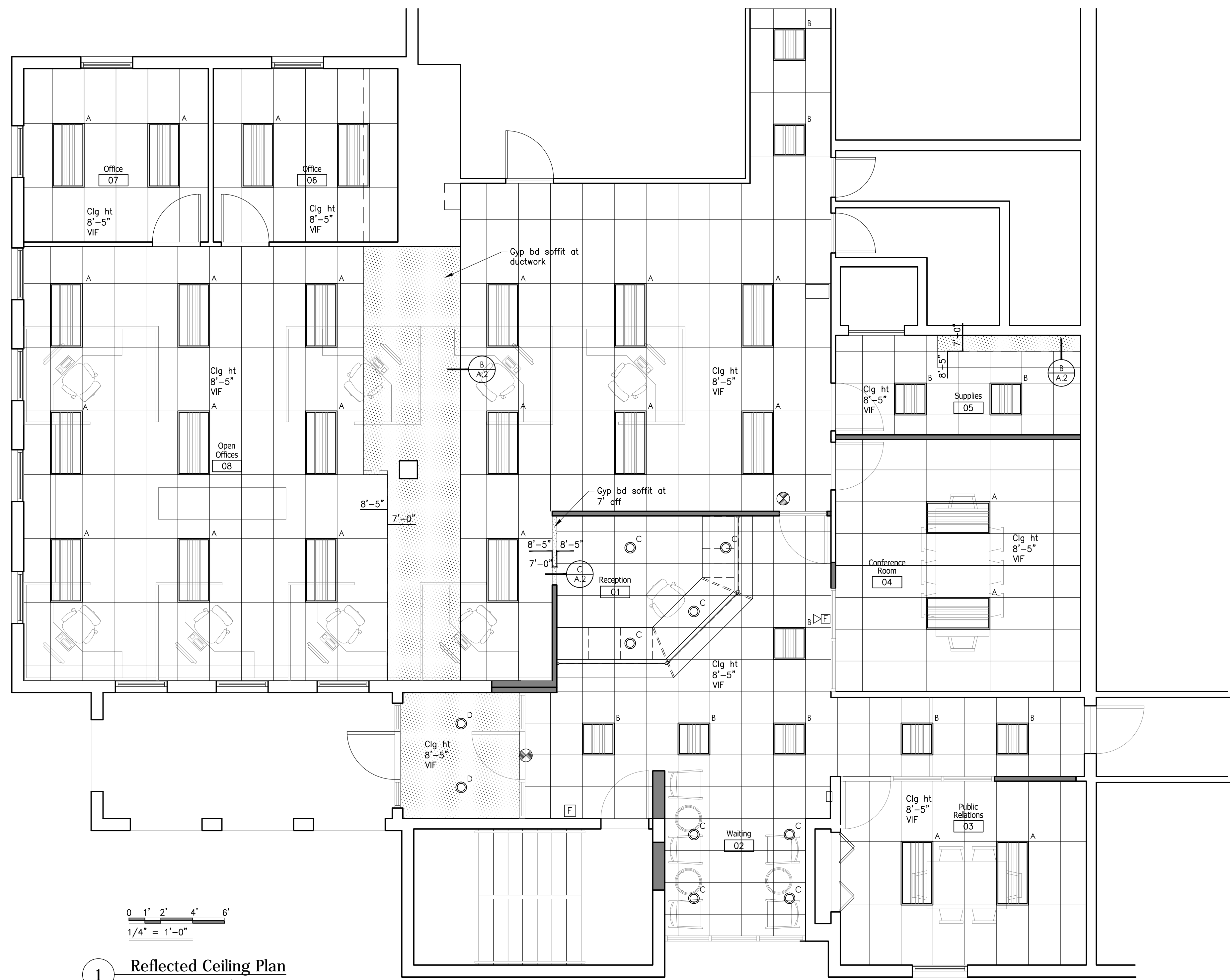
A.2
Issued for
Permit

Lighting Fixture Schedule				
Type	Description	Lamp	Manufacturer Catalog Number	Max. Watts
A	Recessed, T8 fluorescent, 4 foot direct/indirect downlight fixture			
B	Recessed, T8 fluorescent, 2 foot direct/indirect downlight fixture			
C	Recessed downlight			
D	Recessed downlight, wet location			

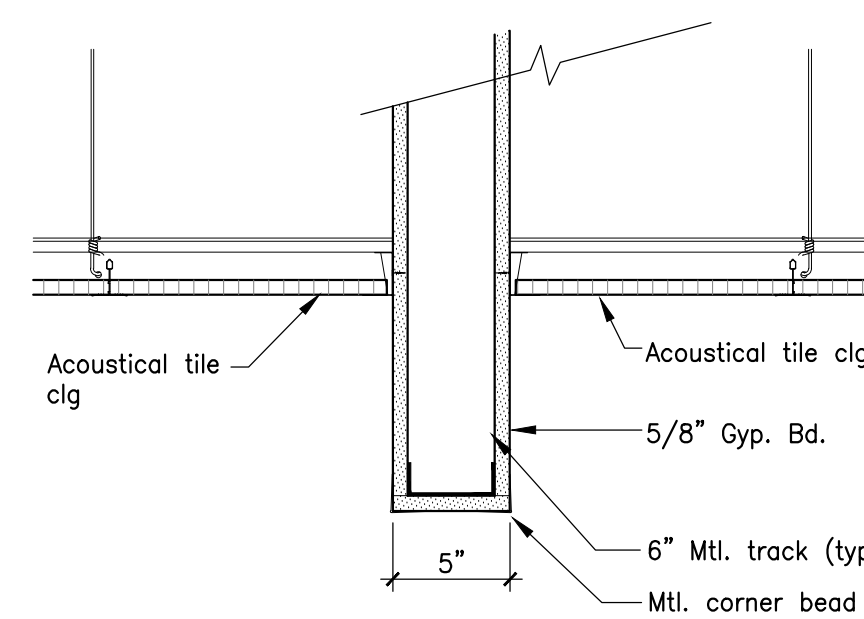
Lighting Symbol Legend



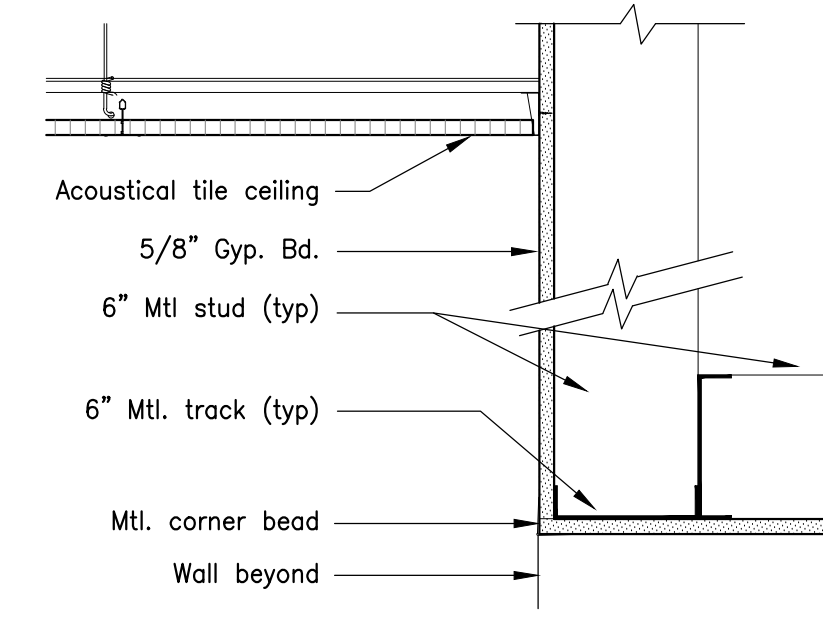
- General Notes**
1. Refer to Room Finish Schedules for ceiling materials, types, and finishes.
 2. Ceiling heights are from new finish floor elevations, UNO, refer to Roof Finish Schedule.
 3. Refer to detail A/A.2 for acoustical ceiling tile typical expansion joint detail.
 4. Refer to drawing A9.1 for Acoustical Panel Schedule



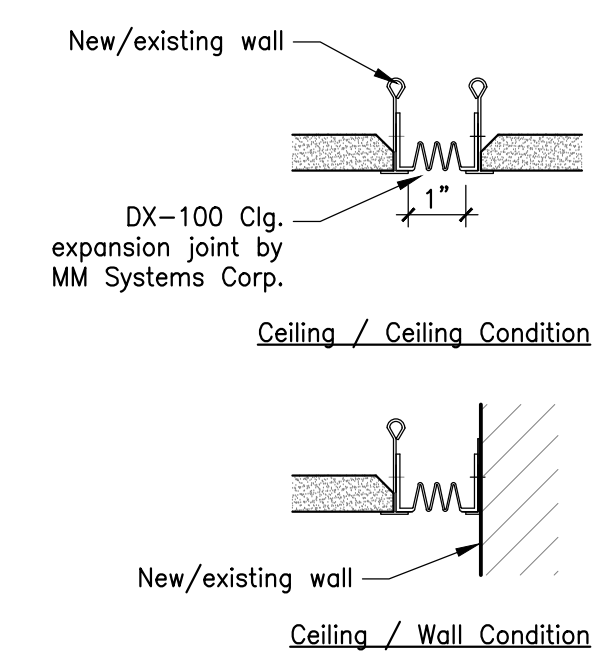
1 Reflected Ceiling Plan
Scale: 1/4" = 1'-0"



C Framed Soffit
Scale: 1 1/2" = 1'-0"



B Framed Soffit at Cabinets
Scale: 1 1/2" = 1'-0"



A Typ. Suspended Clg. Exp. Jt.
Scale: NTS