

**City of Portland, Maine - Building or Use Permit Application**

389 Congress Street, 04101 Tel: (207) 874-8703, Fax: (207) 874-8716

Permit No: 06-0735	Issue Date: <b>PERMIT ISSUED</b> JUN 1 2006	GBL: 079 C008001
-----------------------	---	---------------------

<b>Location of Construction:</b> 197 DOUGLASS ST	<b>Owner Name:</b> PORTLAND WATER DIST	<b>Owner Address:</b> 225 DOUGLASS ST	<b>Phone:</b>
<b>Business Name:</b>	<b>Contractor Name:</b> Avery Services, Inc.	<b>Contractor Address:</b> 7 Thomas Drive Westbrook	<b>Phone:</b> 207 728687
<b>Lessee/Buyer's Name</b>	<b>Phone:</b>	<b>Permit Type:</b> HVAC	<b>Zone:</b> IM

<b>Past Use:</b> Commercial	<b>Proposed Use:</b> Commercial Install a Carrier water source heat pump	<b>Permit Fee:</b> \$174.00	<b>Cost of Work:</b> \$16,430.00	<b>CEO District:</b> 3
<b>Proposed Project Description:</b> Install a Carrier water source heat pump		<b>FIRE DEPT:</b> <input type="checkbox"/> Approved <input type="checkbox"/> Denied <b>INSPECTION:</b> Use Group: <i>HVAE</i> Type: <i>5/31/06</i> <i>[Signature]</i>		<b>PEDESTRIAN ACTIVITIES DISTRICT (P.A.D.)</b> Action. <input type="checkbox"/> Approved <input type="checkbox"/> Approved w/Conditions <input type="checkbox"/> Denied Signature: _____ Date: _____

<b>Permit Taken By:</b> dmartin	<b>Date Applied For:</b> 05/17/2006	<b>Zoning Approval</b>	
------------------------------------	--	------------------------	--

1.  2. Building permits do not include plumbing, septic or electrical work.  3. Building permits are void if work is not started within six (6) months of the date of issuance. False information may invalidate a building permit and stop all work..	<b>Special Zone or Reviews</b> <input type="checkbox"/> Shoreland <input type="checkbox"/> Wetland <input type="checkbox"/> Flood Zone <input type="checkbox"/> Subdivision <input type="checkbox"/> Site Plan Maj <input type="checkbox"/> Minor <input type="checkbox"/> MM <input type="checkbox"/> >ate: _____	<b>Zoning Appeal</b> <input type="checkbox"/> Variance <input type="checkbox"/> Miscellaneous <input type="checkbox"/> Conditional Use <input type="checkbox"/> Interpretation <input type="checkbox"/> Approved <input type="checkbox"/> Denied Date: _____	<b>Historic Preservation</b> <input type="checkbox"/> Not in District or Landmark <input type="checkbox"/> Does Not Require Review <input type="checkbox"/> Requires Review <input type="checkbox"/> Approved <input type="checkbox"/> Approved w/Conditions <input type="checkbox"/> Denied Date: _____
--	---	---	---

**CERTIFICATION**

I hereby certify that I am the owner of record of the named property, or that the proposed work is authorized by the owner of record and that I have been authorized by the owner to make this application as his authorized agent and I agree to conform to all applicable laws of this jurisdiction. In addition, if a permit for work described in the application is issued, I certify that the code official's authorized representative shall have the authority to enter all areas covered by such permit at any reasonable hour to enforce the provision of the code(s) applicable to such permit.

SIGNATURE OF APPLICANT	ADDRESS	DATE	PHONE
RESPONSIBLE PERSON IN CHARGE OF WORK, TITLE		DATE	PHONE



FILL IN AND SIGN WITH INK

# APPLICATION FOR PERMIT HEATING OR POWER EQUIPMENT

79 C 008  
PERMIT ISSUED  
JUN 1 2006  
CITY OF PORTLAND

To the INSPECTOR OF BUILDINGS, PORTLAND, ME.

The undersigned hereby applies for a permit to install the following heating, cooking or power equipment in accordance with the Laws of Maine, the Building Code of the City of Portland, and the following specifications:

Location / CBL 79 C 008 Use of Building Office Bldg Date 5/17/06  
Name and address of owner of appliance Portland Water District  
197 - 245 Douglas Street Portland  
Installer's name and address AVERY SERVICES, INC 77 Thomas Drive  
Westbrook, ME 04092 Telephone 201-772-8687  
FAX 874-0933

**Location of appliance:**

- Basement
- Attic  
MEZZANINE
- Floor
- Roof

**Type of Fuel:**

- Gas
- Oil
- Solid
- NONE

Appliance Name: CARRIER WATER SOURCE HEAT PUMP

U.L. Approved  Yes  No

Will appliance be installed in accordance with the manufacture's installation instructions?  Yes  No

IF NO Explain:

**The Type of License of Installer:**

- Master Plumber # \_\_\_\_\_
- Solid Fuel # \_\_\_\_\_
- Oil # \_\_\_\_\_
- Gas# PNT1431
- Other \_\_\_\_\_

**Type of Chimney:**

Masonry Lined  
Factory built NA

Metal  
Factory Built U.L. Listing # NA

Direct Vent  
Type NA UL# \_\_\_\_\_

**Type of Fuel Tank**

- Oil NA
- Gas

Size of Tank NA

Number of Tanks NA

Distance from Tank to Center of Flame NA feet.

Cost of Work: \$ 16,430.00

Permit Fee: \$ 174.00

DEPT. OF BUILDING INSPECTION  
CITY OF PORTLAND, ME  
MAY 17 2006  
RECEIVED

Approved

Approved with Conditions

Fire: \_\_\_\_\_

Ele.: \_\_\_\_\_

Bldg.: AW Carey 5/31/06

See attached letter or requirement

Inspector's Signature

Date Approved

Signature of Installer Douglas C Carey

White - Inspection    Yellow - File    Pink - Applicant's    Gold - Assessor's Copy

3162C

**AVERY SERVICES, INC.**  
 7 Thomas Drive  
 WESTBROOK, MAINE 04092  
 (207) 772-8687

# PROPOSAL

1193

FAX (207) 874-0933

TO: Ganneston Construction Corp.  
 Attn: Fred Gay  
 P.O. Box 27  
 3025 North Belfast Avenue  
 Augusta ME 04330

PHONE 621-8505	DATE 04/04/06
DCA #680413	-

We hereby submit specifications and estimates for:

Avery Services, Inc. is pleased to quote, as requested, on the installation of three (3) new vertical water cooled air conditioning units, as per plans and specifications received. Scope of work to include:

- Remove and dispose of the three (3) existing units, as per EPA laws and your specifications.
- Relocate existing diffusion and ducts, as requested on the 1st floor office specifications.
- Supply and install one (1) Carrier RVR024 water cooled heat pump for the new 2nd floor office/corridor, one (1) Carrier RVR030 water cooled heat pump for the new EOC space, as per specifications, one (1) Carrier RVR042 water cooled heat pump to feed the four (4) existing offices, as per specifications, located on the existing mezzanine. Tie into existing water feeds, drains, and condensate systems.
- Supply and install one (1) Carrier thermostat for each unit and low voltage wiring.
- Supply and install new ductwork as required, using existing duct, if adequate (supply ductwork will be insulated) the return will not be insulated.
- Supply and install new grilles and diffusers in all new areas (exception in 1st floor offices).
- Price includes: Start up and test, an orientation visit, freight, and permit.

OPTION A: To install Carrier 4-zone Comfort Zone II System for the four (4) offices space, for independent zoning  
 ADD \$2,980.00 \_\_\_\_\_ initials.

EXCLUSIONS: Structural/engineers report if required, power wiring, soffiting, painting, fire dampers, air balance, overtime, and adequacy of existing systems.

*4/28/06 Verbal (including Option) per DCA*

**We Propose** hereby to furnish material and labor — complete in accordance with the above specifications, for the sum of:

Sixteen Thousand Four Hundred Thirty and 00/100 Dollars dollars (\$) 16,430.00 }

Payment to be made as follows:

25% upon acceptance - Progress billing/net ten (10) days - All balances due at completion - Terms are negotiable.  
 If payment is not made as outlined above, a service charge of 2% per month on the overdue balance plus all reasonable costs of collection, including attorney's fees will be paid.

All material is guaranteed to be as specified. All work to be completed in a professional manner according to standard practices. Any alteration or deviation from above specifications involving extra costs will be executed only upon written orders, and will become an extra charge over and above the estimate. All agreements contingent upon strikes, accidents or delays beyond our control. Owner to carry fire, tornado, and other necessary insurance. Our workers are fully covered by Worker's Compensation insurance.

Authorized Signature

*Douglas C. Conway*  
 Note: This proposal may be withdrawn by us if not accepted within 30 days.

**Acceptance of Proposal** — The above prices, specifications and conditions are satisfactory and are hereby accepted. You are authorized to do the work as specified. Payment will be made as outlined above.

Signature \_\_\_\_\_

Signature \_\_\_\_\_

Date of Acceptance: \_\_\_\_\_



PHYSICAL DATA — AQUAZONE™ 50RHC,RVC006-060 UNITS

UNIT 50RHC,RVC	006	009	012	018	024	030
COMPRESSOR (1 each)	Rotary					
FACTORY REFRIGERANT CHARGE R-22 VERTICAL (oz)	14	14	14	26	38	37
FACTORY REFRIGERANT CHARGE R-22 HORIZONTAL (oz)	14	14	14	25	38	37
PSC FAN MOTOR & BLOWER	Reciprocating					
Fan Motor Type/Speeds	PSC/3	PSC/3	PSC/3	PSC/3	PSC/3	PSC/3
Fan Motor (hp) Std, High Static	<sup>1</sup> / <sub>25</sub> , —	<sup>1</sup> / <sub>10</sub> , —	<sup>1</sup> / <sub>10</sub> , —	<sup>1</sup> / <sub>8</sub> , <sup>1</sup> / <sub>6</sub>	<sup>1</sup> / <sub>4</sub> , <sup>3</sup> / <sub>4</sub>	<sup>3</sup> / <sub>4</sub> , <sup>3</sup> / <sub>4</sub>
Blower Wheel Size (Dia x W) Std, High Static	5 x 5, —	5 x 5, —	6 x 5, —	8 x 7, 8 x 7	9 x 7, 9 x 7	9 x 7, 10 x 8
WATER CONNECTION SIZE FPT — All Other	<sup>1</sup> / <sub>2</sub>	<sup>1</sup> / <sub>2</sub>	<sup>1</sup> / <sub>2</sub>	<sup>1</sup> / <sub>2</sub>	<sup>3</sup> / <sub>4</sub>	<sup>3</sup> / <sub>4</sub>
<b>HORIZONTAL</b>						
Air Coil						
Dimensions (H x W)	10 x 15	10 x 15	10 x 15	16 x 22	16 x 22	16 x 22
Total Face Area (ft <sup>2</sup> )	1.04	1.04	1.04	2.44	2.44	2.44
Tube Size (in.)	<sup>3</sup> / <sub>8</sub>	<sup>3</sup> / <sub>8</sub>	<sup>3</sup> / <sub>8</sub>	<sup>3</sup> / <sub>8</sub>	<sup>3</sup> / <sub>8</sub>	<sup>3</sup> / <sub>8</sub>
Fin Spacing (fpi)	12	12	12	12	12	12
Number of Rows	2	2	3	2	3	3
Return Air Filter — 1-in. Throwaway (Qty — Size)	1 — 18	10 x 18	10 x 18	1 — 16 x 25	1 — 16 x 25	1 — 16 x 25
Corner** (lb)	37	38	42	66	70	74
Left Rear	23	23	25	40	42	43
Right Front	24	24	26	42	43	45
Right Rear	19	20	21	33	34	35
<b>VERTICAL</b>						
Air Coil						
Dimensions (H x W)	—	10 x 15	10 x 15	20 x 17.25	20 x 17.25	20 x 17.25
Total Face Area (ft <sup>2</sup> )	—	1.04	1.04	2.4	2.4	2.4
Tube Size (in.)	—	<sup>3</sup> / <sub>8</sub>	<sup>3</sup> / <sub>8</sub>	<sup>3</sup> / <sub>8</sub>	<sup>3</sup> / <sub>8</sub>	<sup>3</sup> / <sub>8</sub>
Fin Spacing (fpi)	—	12	12	12	12	12
Number of Rows	—	2	3	2	3	3
Return Air Filter — 1-in. Throwaway (Qty — Size)	—	10 x 18	10 x 18	1 — 20 x 20	1 — 20 x 20	1 — 20 x 20
Weight						
Operating (lb)	103	105	114	181	189	197
Packaged (lb)	113	115	124	186	194	202

UNIT 50RHC,RVC	048				060
COMPRESSOR (1 each)	Reciprocating				
FACTORY REFRIGERANT CHARGE R-22 VERTICAL (oz)	42	50	51	66	74
FACTORY REFRIGERANT CHARGE R-22 HORIZONTAL (oz)	41	50	51		
PSC FAN MOTOR & BLOWER	Scroll				
Fan Motor Type/Speeds	PSC/3	PSC/3	PSC/3	PSC/3	PSC/3
Fan Motor (hp) Std, High Static	<sup>1</sup> / <sub>2</sub> , <sup>3</sup> / <sub>4</sub>	<sup>3</sup> / <sub>4</sub> , —	<sup>3</sup> / <sub>4</sub> , <sup>3</sup> / <sub>4</sub>	<sup>3</sup> / <sub>4</sub> , 1	1, 1
Blower Wheel Size (Dia x W) Std, High Static	9 x 8, 10 x 8	9 x 8, —	9 x 8, 10 x 8	10 x 10, 12 x 10	11 x 10, 11 x 10
WATER CONNECTION SIZE FPT — All Other	<sup>3</sup> / <sub>4</sub>	<sup>3</sup> / <sub>4</sub>	<sup>3</sup> / <sub>4</sub>	1	1
<b>HORIZONTAL</b>					
Air Coil					
Dimensions (H x W)	20 x 25	—	20 x 25	20 x 35	20 x 35
Total Face Area (ft <sup>2</sup> )	3.47	—	4.86	4.86	4.86
Tube Size (in.)	<sup>3</sup> / <sub>8</sub>	—	<sup>3</sup> / <sub>8</sub>	<sup>3</sup> / <sub>8</sub>	<sup>3</sup> / <sub>8</sub>
Fin Spacing (fpi)	14	—	12	12	12
Number of Rows	2	—	3	3	3
Return Air Filter — 1-in. Throwaway (Qty — Size)	1 — 20 x 28 or 2 — 20 x 14	—	1 — 20 x 28 or 2 — 20 x 14	1 — 20 x 24 or 1 — 20 x 14	1 — 20 x 24 & 1 — 20 x 14
Corner** (lb)	75	—	81	96	103
Left Front	44	—	48	58	61
Left Rear	47	—	50	60	64
Right Front	37	—	39	47	50
Right Rear	—	—	—	—	—
<b>VERTICAL</b>					
Air Coil					
Dimensions (H x W)	24 x 21.25	20 x 17.25	24 x 21.25	24 x 28.25	20 x 28.25
Total Face Area (ft <sup>2</sup> )	3.62	2.4	3.62	4.71	4.71
Tube Size (in.)	<sup>3</sup> / <sub>8</sub>	<sup>3</sup> / <sub>8</sub>	<sup>3</sup> / <sub>8</sub>	<sup>3</sup> / <sub>8</sub>	<sup>3</sup> / <sub>8</sub>
Fin Spacing (fpi)	14	11	12	12	12
Number of Rows	2	—	3	3	3
Return Air Filter — 1-in. Throwaway (Qty — Size)	1 — 24 x 24	1 — 20 x 20	1 — 24 x 24	1 — 14 x 24 & 1 — 18 x 24	1 — 14 x 24 & 1 — 18 x 24
Weight					
Operating (lb)	203	207	218	263	278
Packaged (lb)	209	212	224	270	285

LEGEND

PSC — Permanent Split Capacitor

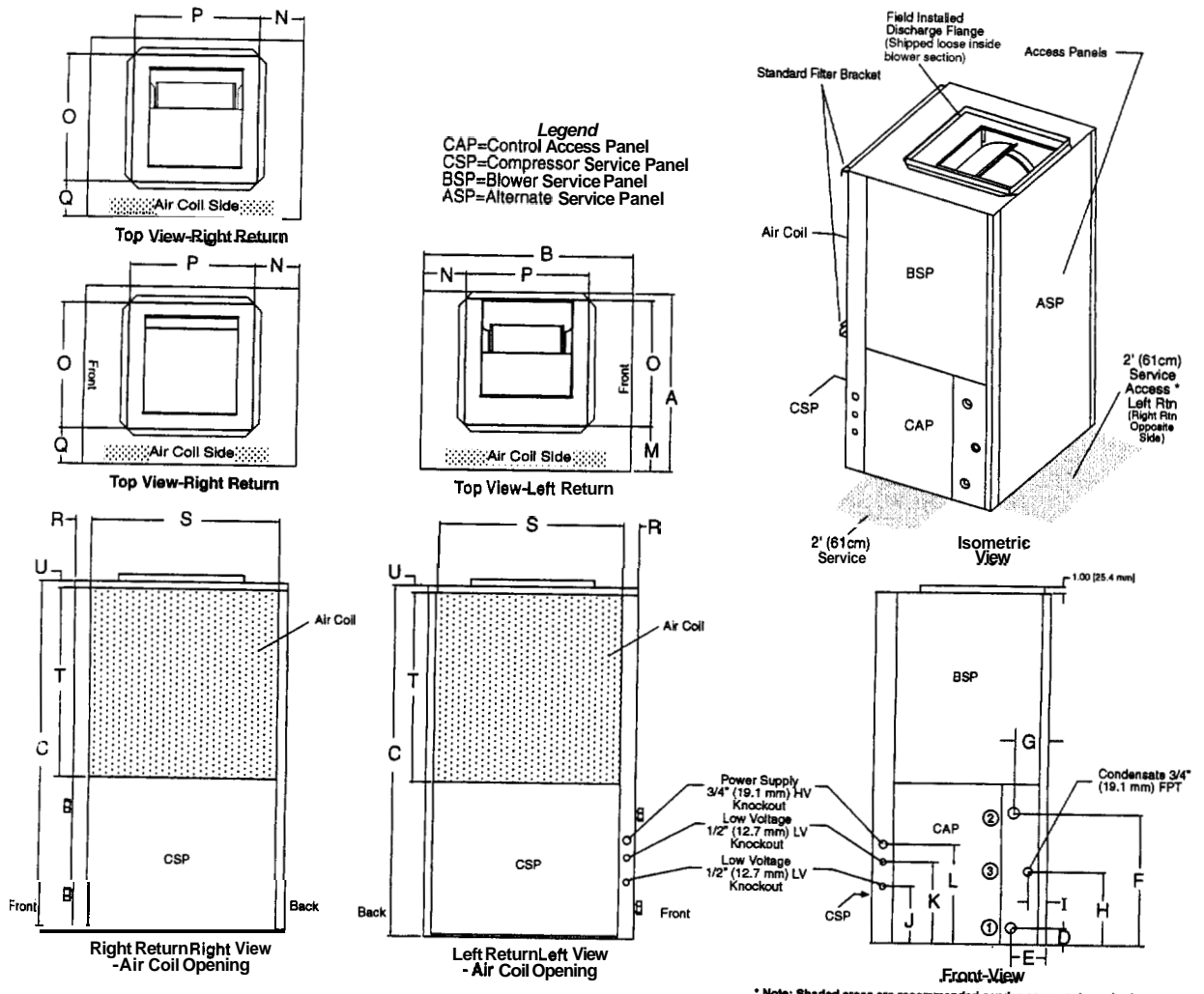
<sup>†</sup>Size 006 available in 50RHR unit only.

<sup>†</sup>Size 041 available in 50RVC unit only.

\*\*Approximate weights for 50RHR units only

NOTE: All units have grommet compressor mountings, and <sup>1</sup>/<sub>2</sub>-in. and <sup>3</sup>/<sub>4</sub>-in. electrical knockouts

### VERTICAL DIMENSIONAL DATA



\* Note: Shaded areas are recommended service areas, not required.

### 50RVC009-060 UNITS

50RVC UNIT	OVERALL CABINET			WATER CONNECTIONS						ELECTRICAL KNOCKOUTS			DISCHARGE CONNECTION duct flange installed (±0.10 in.)					RETURN CONNECTION using return air opening				
	A Width	B Depth	C Height	1		2		3		Water FPT Size	J 1/2-in. cond Low Voltage	K 1/2-in. cond Low Voltage	L 3/4-in. cond Power Supply	M	N	O Supply Width	P Supply Depth	Q	R	S Return Depth	T Return Height	U
				D	E	F	G	H	I		Condensate											
	In	cm	In	cm	In	cm	In	cm	In	cm	In	cm	In	cm	In	cm	In	cm	In	cm	In	cm
009-012	19.1 48.5	19.1 48.5	22.0 55.9	1.4 3.6	2.8 7.1	9.4 24.0	2.8 7.1	6.1 15.6	2.3 5.9	1/2" 1.3	2.9 7.3	5.9 14.9	8.9 22.5	8.9 22.7	5.1 12.9	9.0 22.9	9.0 22.9	5.5 14.0	2.1 5.3	16.2 41.1	9.9 25.1	0.7 1.9
018-030	21.5 54.6	21.5 54.6	39.0 99.1	1.8 4.5	3.8 9.7	15.2 38.6	3.6 9.1	8.1 20.6	2.3 5.8	3/4" 1.9	4.1 10.5	7.1 18.1	10.1 25.7	6.4 16.1	3.8 9.5	14.0 35.6	14.0 35.6	5.3 13.6	2.3 5.8	18.3 46.5	20.2 51.3	0.7 1.9
036 & 042	21.5 54.6	26.0 66.0	44.0 111.8	2.0 5.1	3.7 9.4	16.2 41.1	2.6 6.6	10.4 26.4	2.3 5.8	3/4" 1.9	4.1 10.5	7.1 18.1	10.1 25.7	6.4 16.1	3.8 9.5	14.0 35.6	14.0 35.6	5.1 13.1	2.3 5.8	22.8 57.9	24.2 61.4	0.7 1.9
041	21.5 54.6	21.5 54.6	39.0 99.1	1.7 4.4	3.6 9.1	16.4 41.7	2.6 6.6	8.1 20.6	2.3 5.8	3/4" 1.9	4.1 10.5	7.1 18.1	10.1 25.7	6.4 16.1	3.8 9.5	14.0 35.6	14.0 35.6	5.3 13.6	2.3 5.8	18.3 46.5	20.2 51.3	0.7 1.9
048-060	24.0 61.0	32.5 82.6	46.0 116.8	1.8 4.5	5.9 14.9	16.7 42.4	2.3 5.8	10.1 25.7	2.3 5.8	1" 2.5	4.1 10.5	7.1 18.1	10.1 25.7	6.9 17.4	7.3 18.4	16.0 40.6	18.0 45.7	5.1 13.1	2.3 5.8	29.3 74.4	24.2 61.4	0.7 1.9

- NOTES:  
 1. Condensate is 3/4 in. (19.1 mm) FPT.  
 2. Filter bracket extending from unit 2.5 in. (6.4 cm). This bracket should be removed when connecting return duct.  
 3. Discharge flange field installed.

AIRFLOW CONFIGURATION		
Code	Return	Discharge
F	Front	Top
L	Left	Top
R	Right	Top

# Physical data



## PHYSICAL DATA — AQUAZONE™ 50RHR, RVR006-060 UNITS

UNIT 50RHR, RVR	006*	009	012	015	019	024	030	036	042	048	060
COMPRESSOR (1 each)	Rotary						Reciprocating				Scroll
FACTORY CHARGE R-22 (oz)	12	15	15				41	44	46	54	80
PSC FAN MOTOR AND BLOWER	PSC/3	PSC/3	PSC/3				PSC/3	PSC/3	PSC/3	PSC/3	PSC/3
Fan Motor Type/Speeds	1/25	1/10	1/10				1/2	3/4	3/4	3/4	1
Fan Motor (Hp)	5 x 5	5 x 5	6 x 5	9 x 7	9 x 7	9 x 7	9 x 7	10 x 10	10 x 10	10 x 10	11 x 10
Blower Wheel Size (D x W)							3/4	3/4			
WATER CONNECTION SIZE (FPT)	1/2	1/2	1/2	"	"	3/4	3/4	3/4	1	1	1
<b>VERTICAL</b>											
Air Coil	10 x 16			16 x 16			20 x 20		28 x 20		28 x 25
Dimensions (H x W) (in.)	1.1			1.8			2.8		3.9		4.9
Total Face Area (ft <sup>2</sup> )	3/8			3/8			3/8		3/8		3/8
Tube Size (in.)	12			12			12		12		10
Fin Spacing (FPI)	3			3			3		3		4
Number of Rows	10 x 20			16 x 20			20 x 24		28 x 24		28 x 30
Filter Standard 1-in. Throwaway (Size)	—			147			219		257		323
Weight (lbs)	112			169			229		267		338
Operating	122			179			231		269		338
Packaged	131			203			241		279		338
<b>HORIZONTAL</b>											
Air Coil	10 x 16			16 x 16			18 x 22		18 x 31		20 x 35
Dimensions (H x W) (in.)	1.1			1.8			2.8		3.9		4.9
Total Face Area (ft <sup>2</sup> )	3/8			3/8			3/8		3/8		3/8
Tube Size (in.)	12			12			12		12		10
Fin Spacing (FPI)	2			3			3		3		4
Number of Rows	1 — 10 x 20			1 — 16 x 20			1 — 18 x 24		2 — 18 x 18		1 — 12 x 20
Filter Standard 1-in. Throwaway (Qty — Size)	110			147			219		257		323
Weight (lbs)	112			169			229		267		338
Operating	122			179			231		269		338
Packaged	131			203			241		279		338

### LEGEND

PSC — Permanent Split Capacitor

\*Size 006 available in 50RHR unit only.

### NOTES:

- All units have spring compressor mountings, TXV (thermostatic expansion valve) expansion devices, and 1/2- and 3/4-in. electrical knockouts.
- Size 048 available as high-static unit.

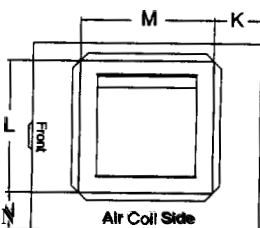
### 50RVR009-060 UNITS

50RVR UNIT	OVERALL CABINET			WATER CONNECTIONS				ELECTRICAL KNOCKOUTS (In.)			DISCHARGE CONNECTION Duct Flange Installed (±0.10 in.)					RETURN CONNECTION Using Air Coil Opening					
				1	2	3	Loop Water FPT	G 1/2 conduit	H 1/2 conduit	I 3/4 conduit	Low Voltage	Ext Pump	Power Supply	J	K	L Supply Height	M Supply Depth	N	O	P Return Depth	Q Return Height
	A Width	B Depth	C Height	D In	E Out	F Condensate															
009-012	in. cm	22.4 56.8	21.6 54.9	22.6 57.4	2.6 6.6	5.4 13.7	7.8 19.8	1/2	3.5 8.9	5.5 14.0	8.2 20.8	10.6 26.9	6.8 17.3	5.8 14.7	8.0 20.3	15.2 5.6	6.0 5.6	2.2 5.6	17.1 43.4	9.3 23.6	1.0 2.5
015-024	in. cm	22.4 56.8	21.6 54.9	34.6 87.9	2.4 6.1	4.8 12.2	8.5 21.6	3/4	3.5 8.9	7.5 19.1	10.2 25.9	7.2 18.3	3.8 9.7	14.0 35.6	14.0 35.6	10.9 5.6	4.3 5.6	2.2 5.6	17.1 43.4	15.3 38.9	1.0 2.5
030	in. cm	22.4 56.8	25.6 65.1	40.6 103.1	2.4 6.1	5.4 13.7	9.7 24.6	3/4	5.7 14.5	9.7 24.6	12.2 31.0	7.2 18.3	5.8 14.7	14.0 35.6	14.0 35.6	10.9 5.6	4.3 5.6	2.2 5.6	21.1 53.6	19.2 48.8	1.0 2.5
036	in. cm	22.4 56.8	25.6 65.1	40.6 103.1	2.4 6.1	5.4 13.7	9.7 24.6	3/4	5.7 14.5	9.7 24.6	12.2 31.0	7.2 18.3	5.8 14.7	14.0 35.6	14.0 35.6	10.9 5.6	4.3 5.6	2.2 5.6	21.1 53.6	19.2 48.8	1.0 2.5
042-048	in. cm	22.4 56.8	25.6 65.1	48.6 123.4	2.4 6.1	5.4 13.7	9.7 24.6	1	5.7 14.5	9.7 24.6	12.2 31.0	7.2 18.3	5.8 14.7	14.0 35.6	14.0 35.6	10.9 5.6	4.3 5.6	2.2 5.6	21.1 53.6	27.2 69.1	1.0 2.5
060	in. cm	25.4 64.5	30.6 77.8	50.6 128.5	2.4 6.1	5.4 13.7	10.7 27.2	1	8.1 20.6	11.7 29.7	14.2 36.1	6.2 15.7	6.3 16.0	18.0 45.7	18.0 45.7	5.1 13.0	2.2 5.6	2.2 5.6	26.1 66.3	27.2 69.1	1.0 2.5

- Condensate is 3/4-in. FPT and is switchable from side to front.
- Vertical unit shipped with filter bracket only Mending from unit 2.5 inches. This bracket should be removed when connecting return duct.
- Discharge flange field installed.
- Right and left orientation is determined by looking at water connection side.

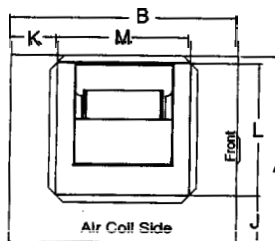
CAP=Control Access Panel  
 CSP=Compressor Service Panel  
 BSP=Blower Service Panel  
 ASP=Alternate Service Panel

RIGHT RETURN

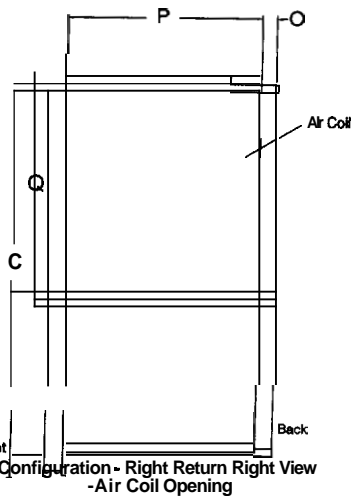
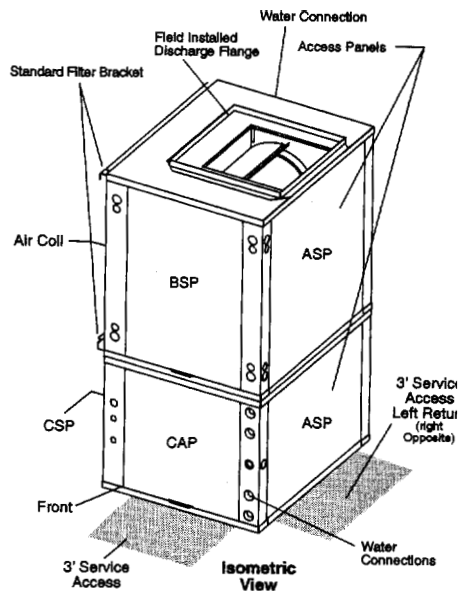


R Configuration- Top View-Right Return

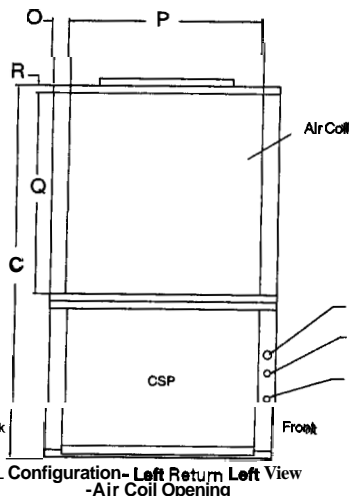
LEFT RETURN



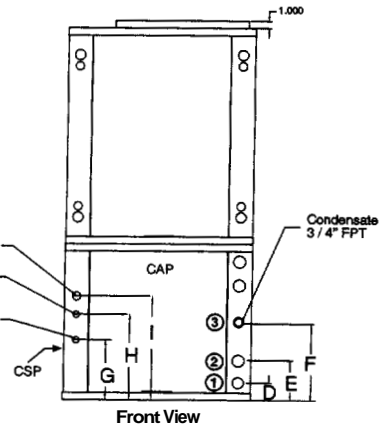
L Configuration- Top View-Left Return



R Configuration - Right Return Right View -Air Coil Opening



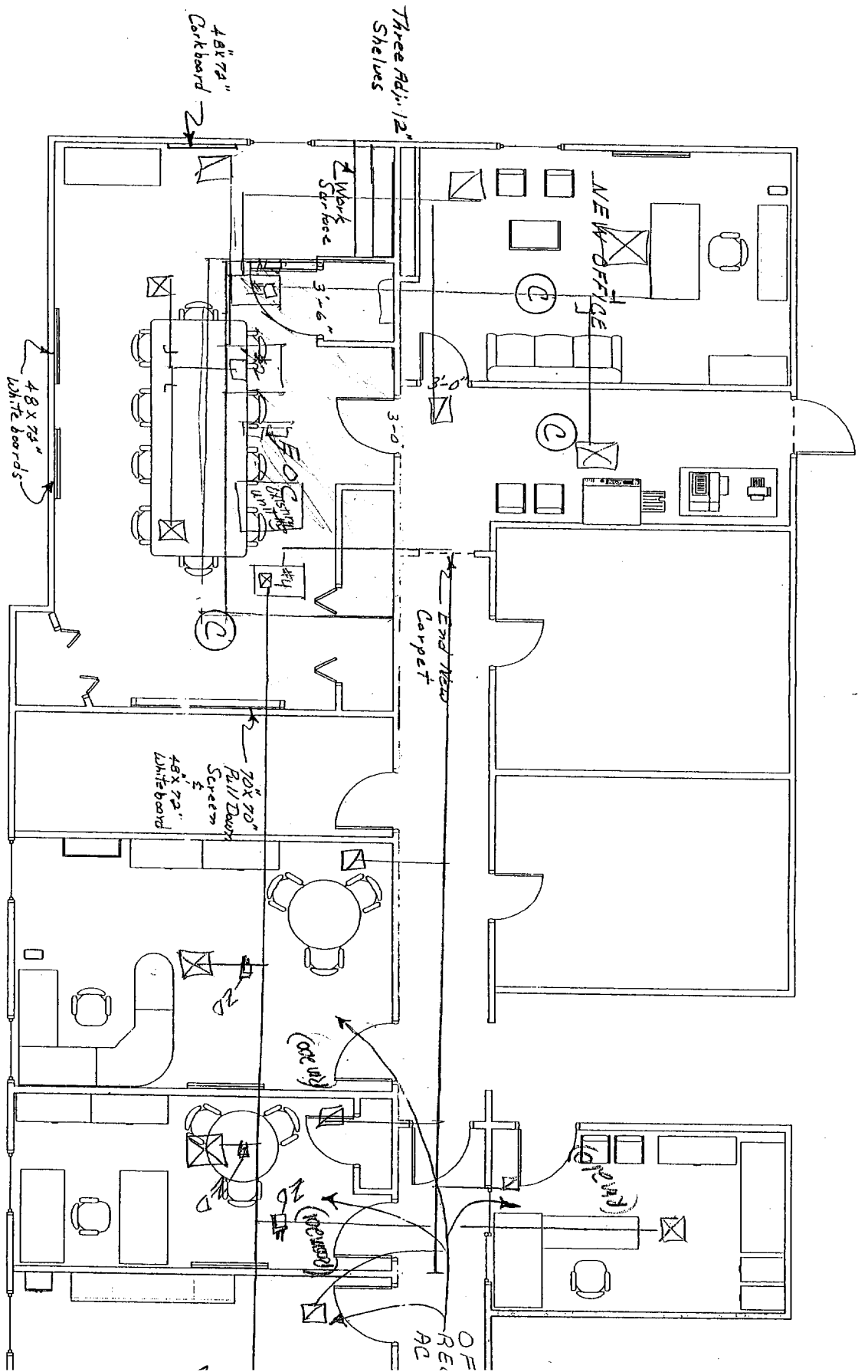
L Configuration - Left Return Left View -Air Coil Opening



Front View

Code	Return	Discharge
L	Left	Top
R	Right	Top

Ⓒ Indicate Areas to be Carpeted



STATION AREA IS EXISTING WALLLINE

EOC & NEW OFFICE  
SECOND FLOOR

10/1/78