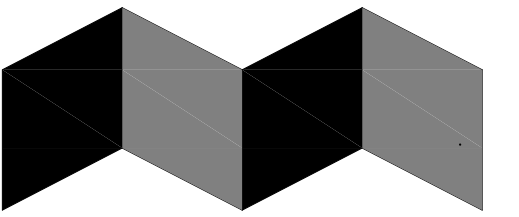


Westfield Building



ALPHAarchitects
17 CHESTNUT STREET
PORTLAND, ME 04101
PHONE: 207.761.9500
FAX: 207.761.9595
design@alphaarchitects.com

COPYRIGHT
Reuse or reproduction of the contents of this document is not permitted without written permission of ALPHA ARCHITECTS



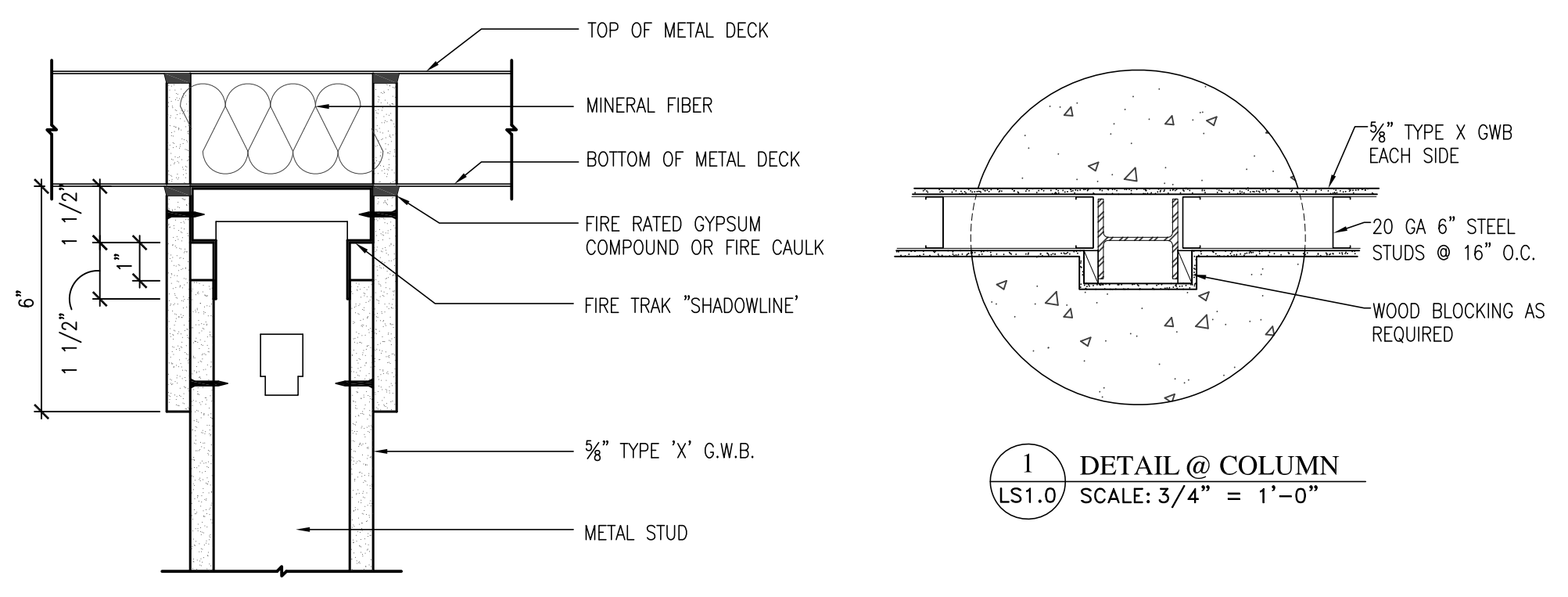
Westfield Building

17 Westfield Street
Portland, ME. 04102

JOB: 15162

ISSUE DATE	
PRELIM	08-18-15
PLANNING	1-19-16
CD's	1-27-15
REV. 1	2-4-16
REV. 2	5-6-16
PRINT	5-12-16

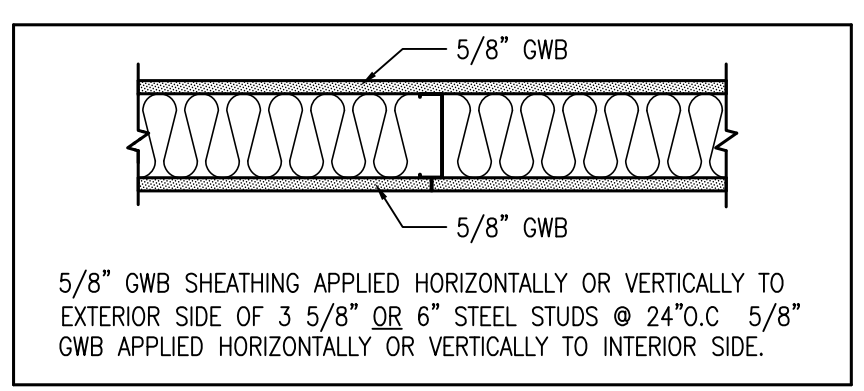
LIFE SAFETY FLOOR PLAN
LS1.0



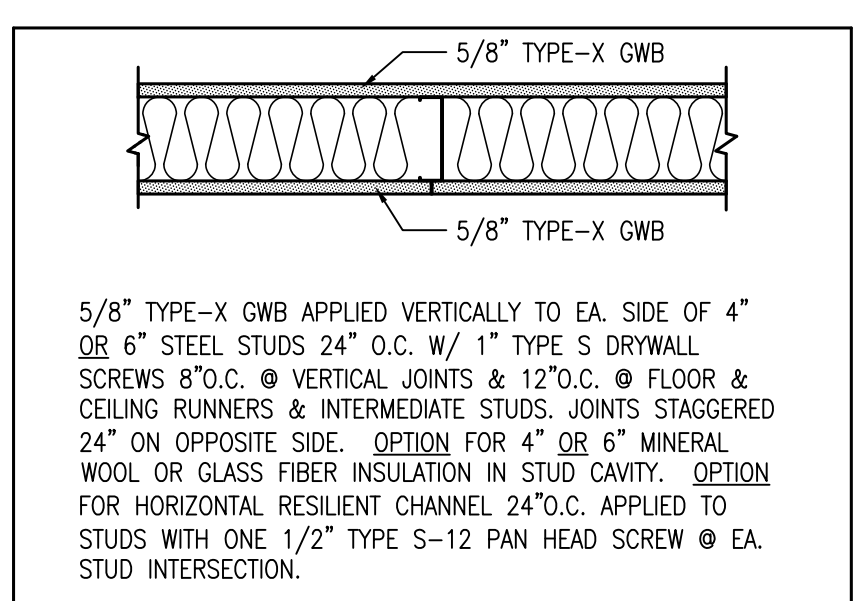
- FIRE PROTECTION LEGEND**
- FE FIRE EXTINGUISHER 10# ABC
 - FE-K FIRE EXTINGUISHER 10# K
 - EXIT LIGHT
 - STROBE ONLY WITH CANDELLA RATING AS NOTED
 - HORN STROBE WITH CANDELLA RATING AS NOTED
 - DUAL EMERGENCY LIGHT
 - SINGLE EMERGENCY LIGHT
 - SMOKE DETECTOR (CEILING)
 - HEAT DETECTOR (CEILING)
 - COMBINATION LIGHT/EXHAUST FAN
 - FIRE ALARM MASTER CONTROL PANEL
 - PULL STATION
 - EXTERIOR EGRESS LIGHT
 - 'NOT AN EXIT' SIGN W/ RAISED BRAILLE
 - VAN ACCESSIBLE

- NOTES:**
- ALL EMERGENCY LIGHTS MUST BE POWERED BY BATTERY BACK-UP OR GENERATOR PER NFPA 101.
 - HVAC PER NFPA 90A
 - EMERGENCY LIGHTS TO AVERAGE 1 FOOTCANDLE AND .1 FOOTCANDLE MINIMUM.

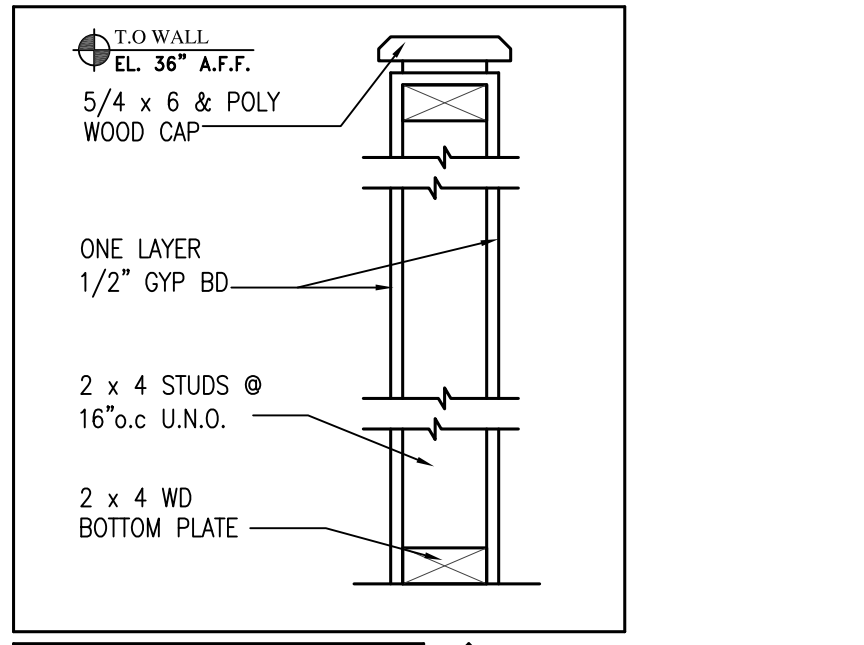
- ABBREVIATIONS:**
- C.O = CASED OPENING
 - CL = DOOR CLOSER
 - WS = WEATHER STRIPPING SYSTEM
 - DBT = DEAD BOLT w/ THUMB TURN
 - L = ADA LEVER



- 3 5/8" METAL STUDS**
NOT RATED
- 6" METAL STUDS**
NOT RATED



- 4" METAL STUDS**
1 HOUR WALL - UL #V438
- 6" METAL STUDS**
1 HOUR WALL - UL #V438



PARTITION TYPES:
SCALE: NTS

NOTE: ALL NEW PARTITIONS TO BE TYPE NA UNLESS OTHERWISE NOTED.

5-12-16

