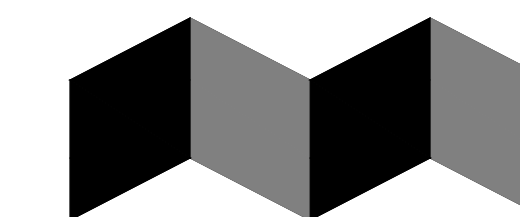


Westfield Building



ALPHAarchitects
17 CHESTNUT STREET
PORTLAND, ME 04101
PHONE: 207.761.9500
FAX: 207.761.9595
design@alphaarchitects.com

COPYRIGHT
Reuse or reproduction of the contents of this document is not permitted without written permission of ALPHA ARCHITECTS



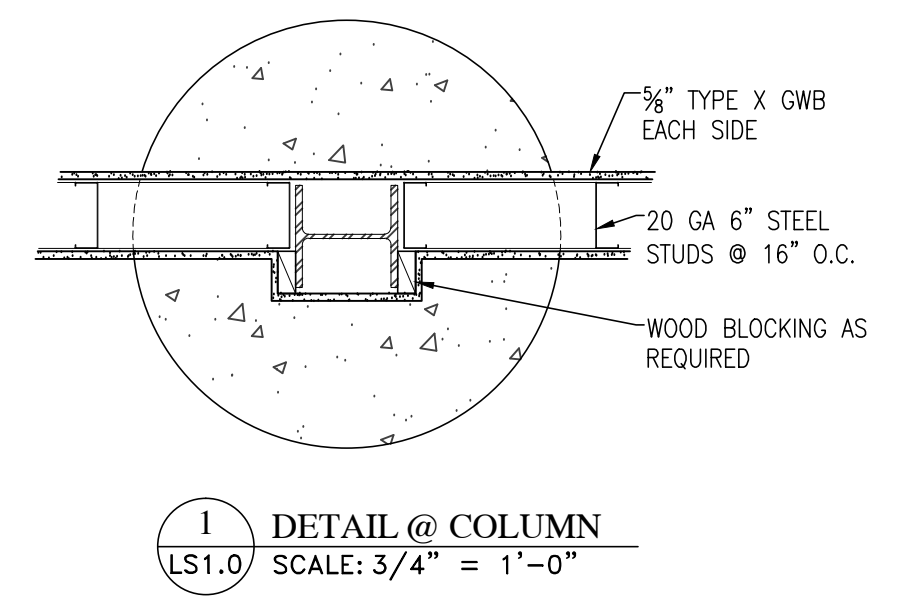
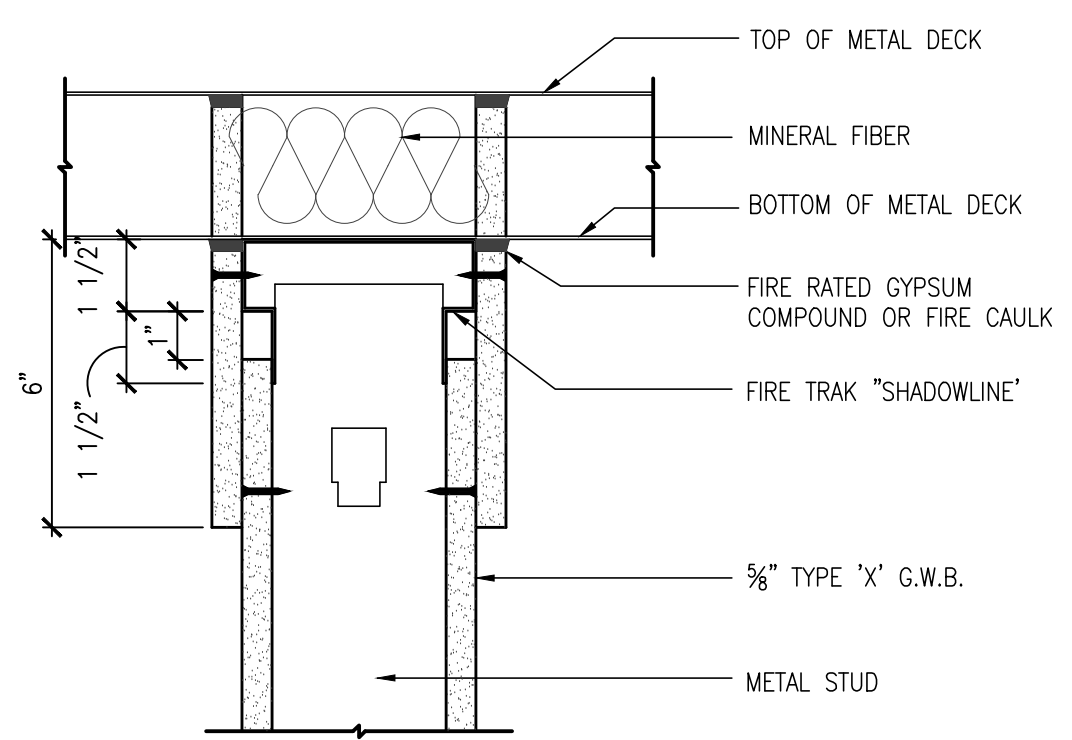
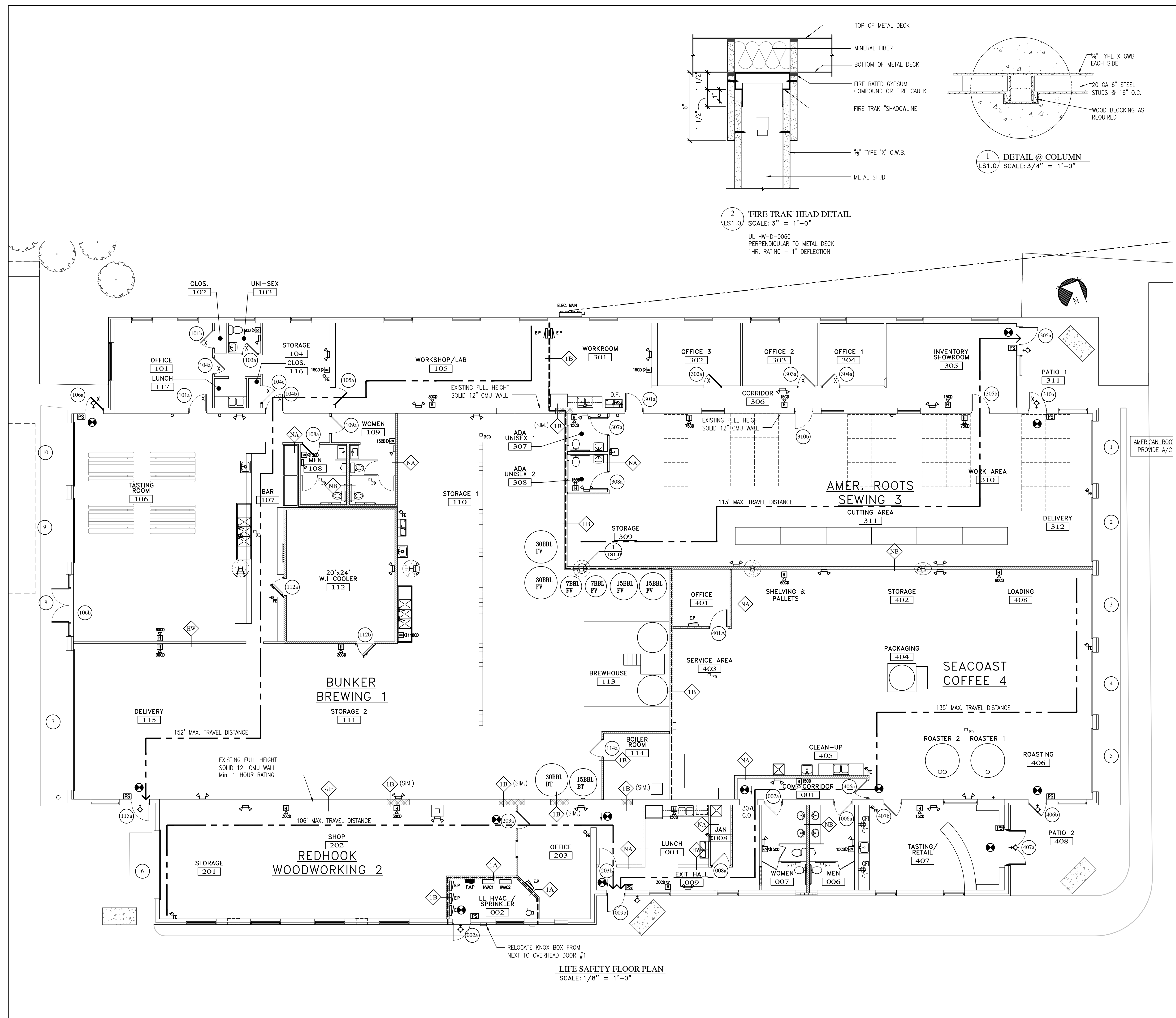
Westfield Building

17 Westfield Street
Portland, ME. 04102

JOB: 15162

ISSUE DATE	
PRELIM	08-18-15
P BOARD	-
SFMO	-
CD's	-
REV. 1	-
PRINT	01-05-16

LIFE SAFETY FLOOR PLAN
LS1.0



2 FIRE TRAK HEAD DETAIL
LS1.0 SCALE: 3/4" = 1'-0"

1 DETAIL @ COLUMN
LS1.0 SCALE: 3/4" = 1'-0"

FIRE PROTECTION LEGEND

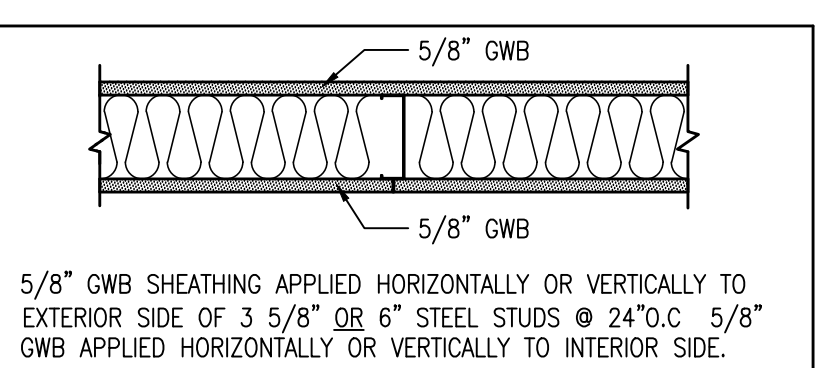
- FE FIRE EXTINGUISHER 10# ABC
- FE-K-KO FIRE EXTINGUISHER 10# K
- EXIT LIGHT
- STROBE ONLY WITH CANDELLA RATING AS NOTED
- HORN STROBE WITH CANDELLA RATING AS NOTED
- DUAL EMERGENCY LIGHT
- SINGLE EMERGENCY LIGHT
- SMOKE DETECTOR (CEILING)
- HEAT DETECTOR (CEILING)
- COMBINATION LIGHT/EXHAUST FAN
- FIRE ALARM MASTER CONTROL PANEL
- PULL STATION
- EXTERIOR EGRESS LIGHT
- NAE 'NOT AN EXIT' SIGN W RAISED BRAILLE
- VAF VAN ACCESSIBLE

NOTES:

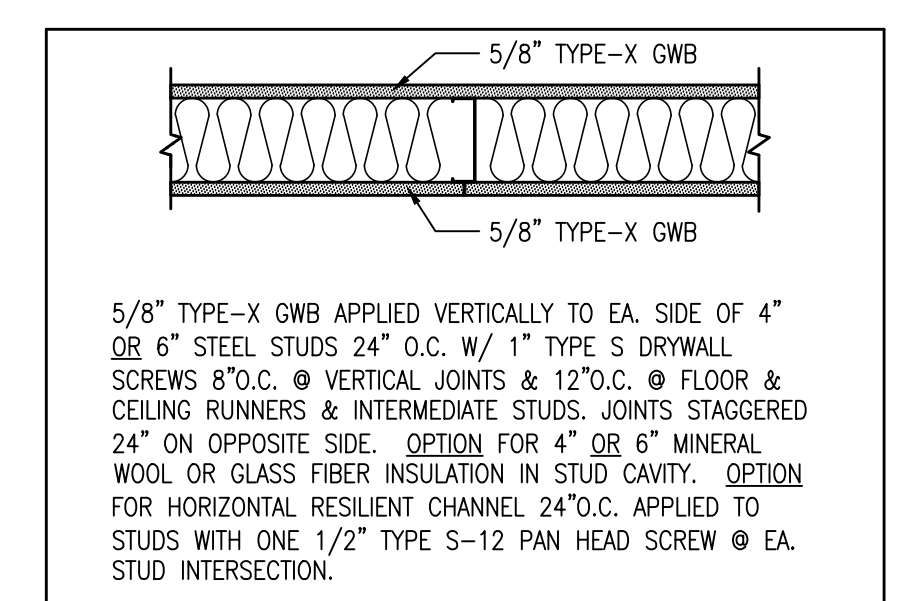
- ALL EMERGENCY LIGHTS MUST BE POWERED BY BATTERY BACK-UP OR GENERATOR PER NFPA 101.
- HVAC PER NFPA 90A
- EMERGENCY LIGHTS TO AVERAGE 1 FOOTCANDLE AND .1 FOOTCANDLE MINIMUM.

ABBREVIATIONS:

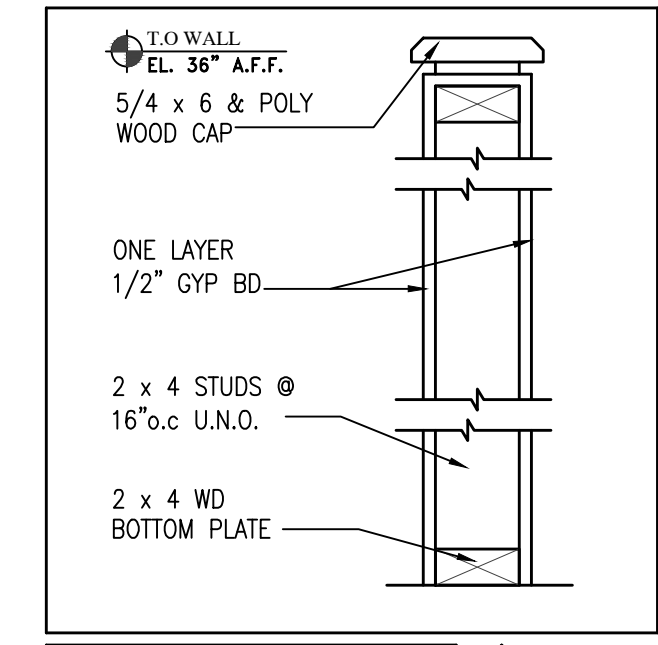
- C.O = CASD OPENING
- CL = DOOR CLOSER
- WS = WEATHER STRIPPING SYSTEM
- DBT = DEAD BOLT w/ THUMB TURN
- L = ADA LEVER



3 5/8" METAL STUDS
NOT RATED



4" METAL STUDS
1 HOUR WALL - UL #V438



HALF WALL DETAIL
NOT RATED

PARTITION TYPES:

SCALE: NTS
NOTE: ALL NEW PARTITIONS TO BE TYPE NA UNLESS OTHERWISE NOTED.

01-05-16

LIFE SAFETY FLOOR PLAN
SCALE: 1/8" = 1'-0"