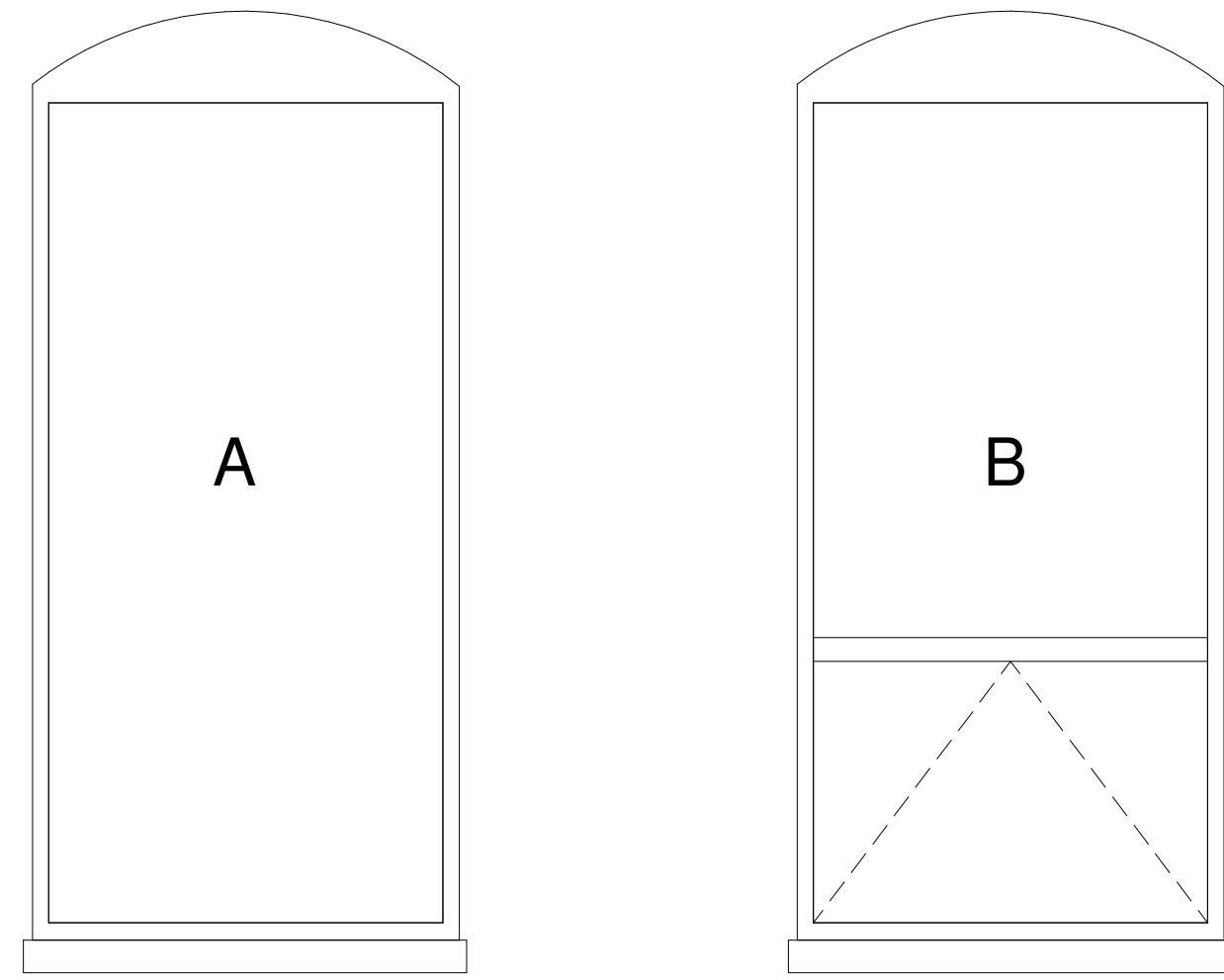


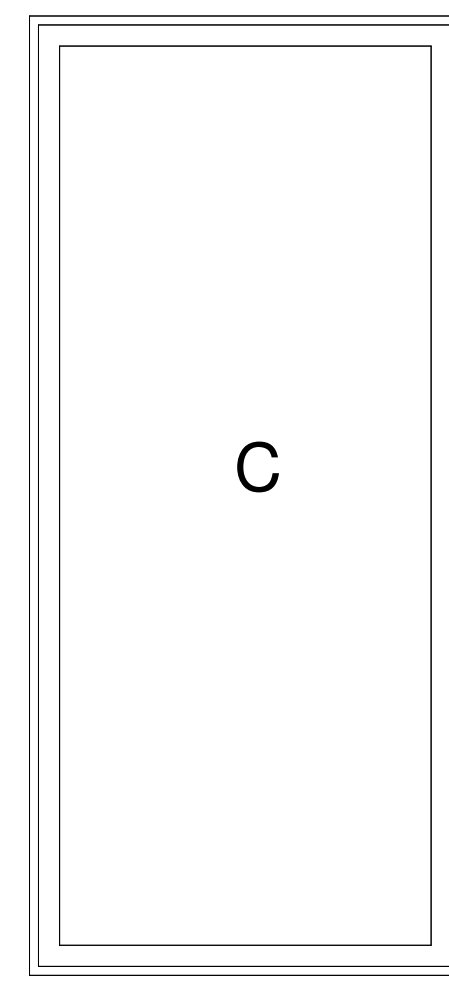
OLDCASTLE SERIES 3000 THERMAL MULTIPANE IN BRONZE FINISH

U FACTOR:
 Glass to Exterior – 0.54 (clear)
 Glass to Center – 0.56 (clear)
 Glass to Interior – 0.51 (clear)

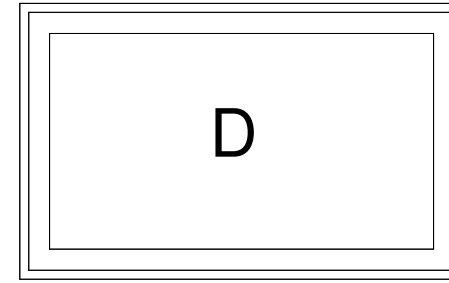


FIXED

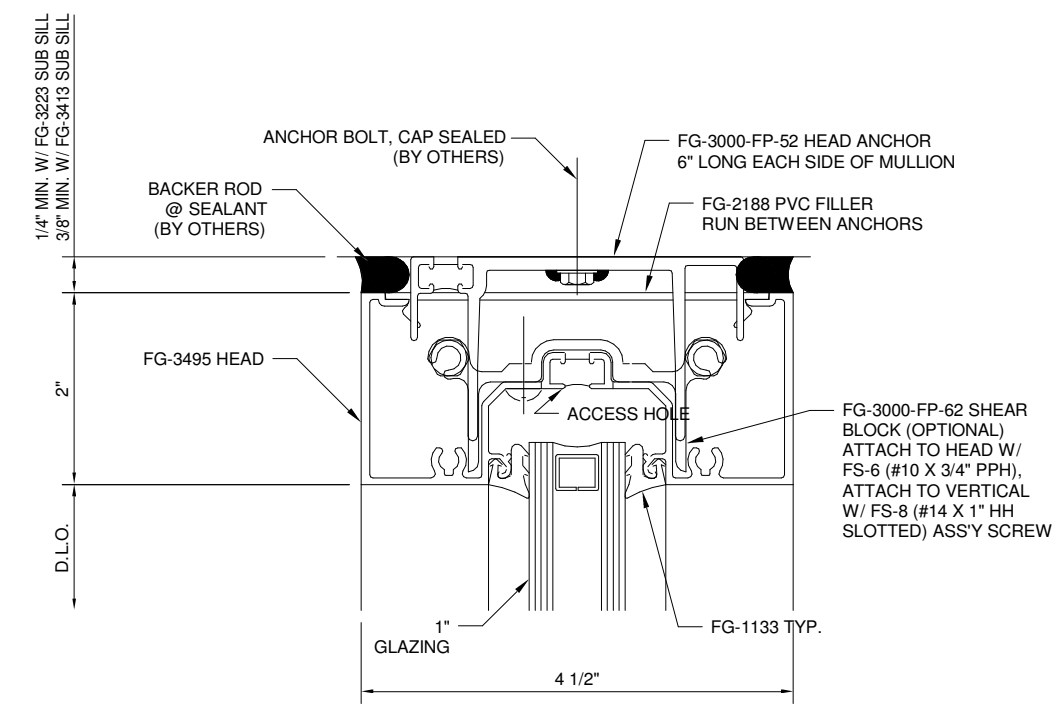
AWNING



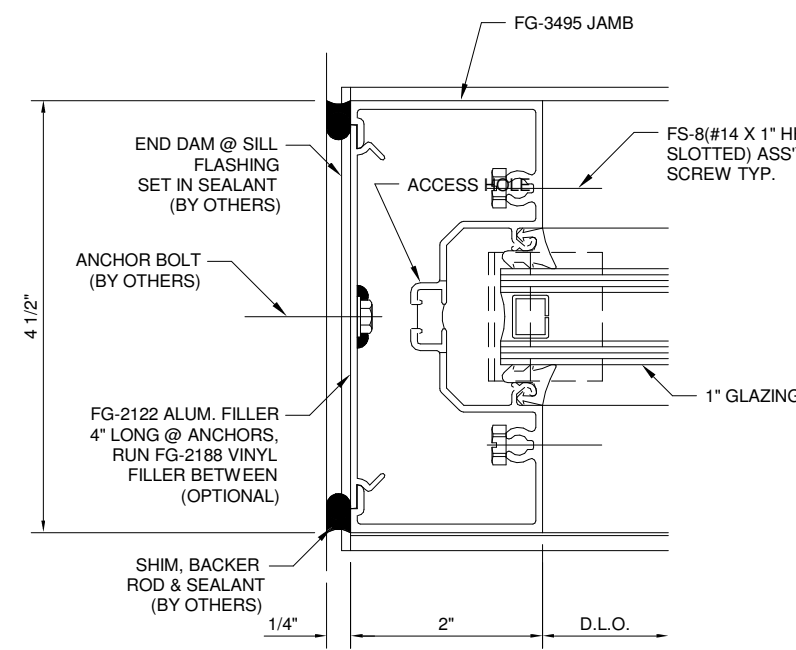
FIXED



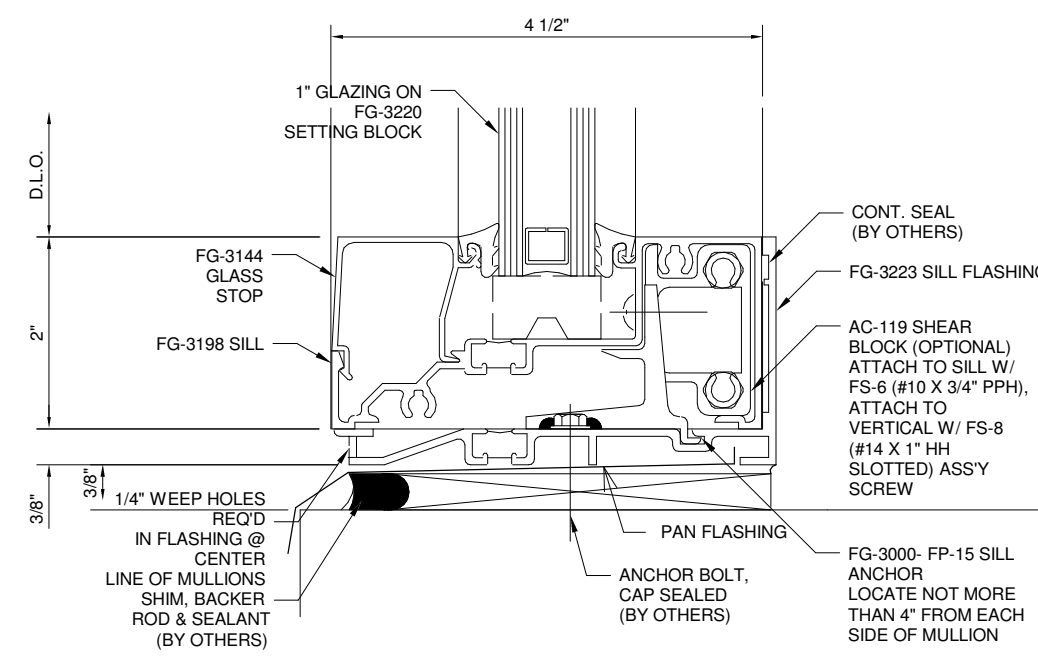
FIXED



1 | 3000 SERIES HEAD DETAIL
6" = 1'-0"



2 | 3000 SERIES JAMB DETAIL
6" = 1'-0"

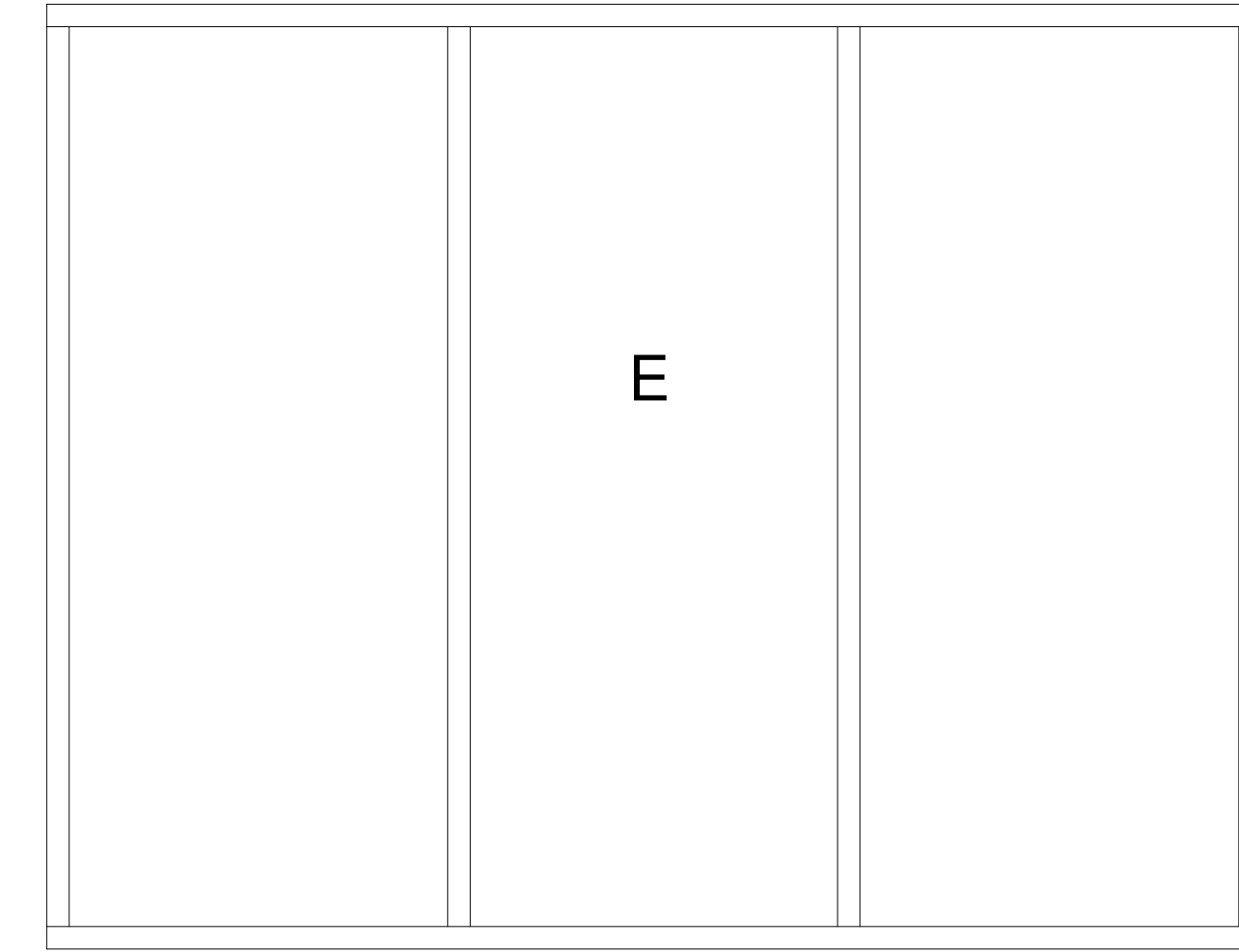


3 | 3000 SERIES SILL DETAIL
6" = 1'-0"

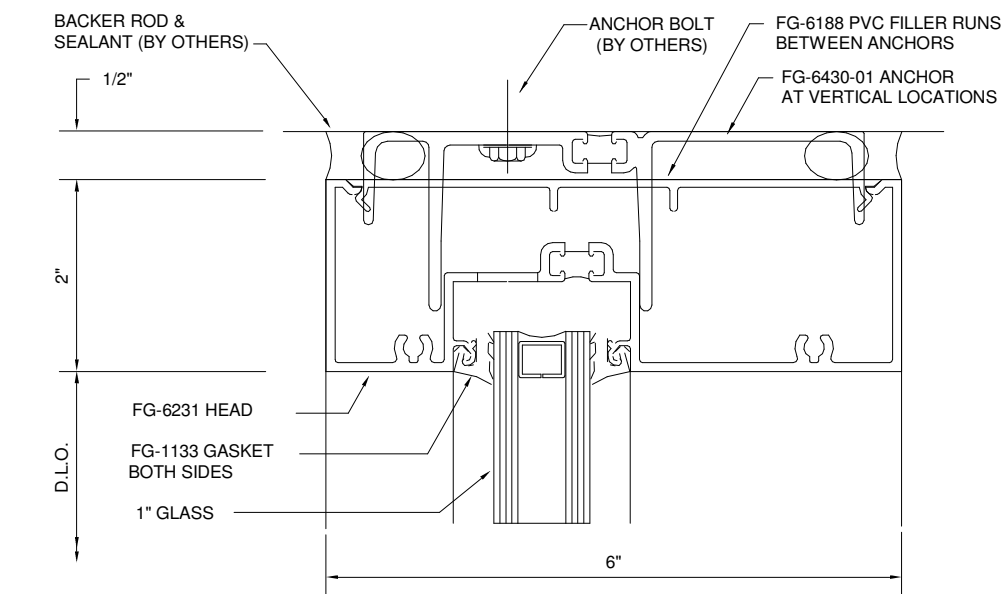
NOTES:
 -CONFIRM ALL OPENING SIZES IN FIELD

OLDCASTLE SERIES 6000 THERMAL MULTIPANE IN BRONZE FINISH

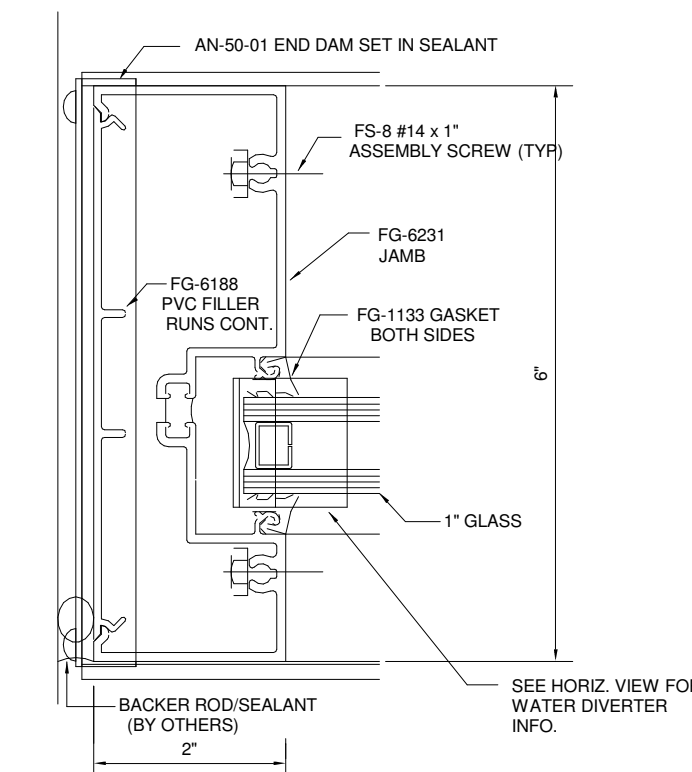
U FACTOR:
 Glass to Exterior – 0.54 (clear)
 Glass to Center – 0.63 (clear)
 Glass to Interior – 0.51 (clear)



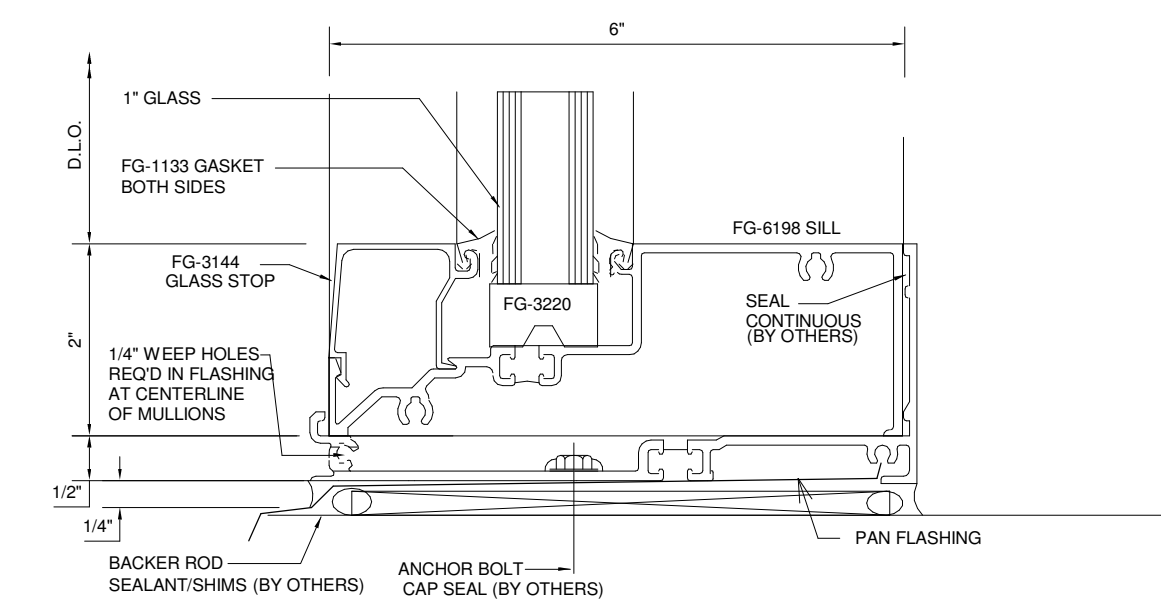
E



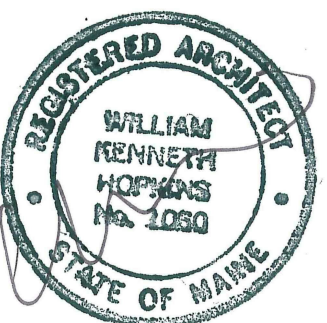
4 | 6000 SERIES HEAD DETAIL
6" = 1'-0"



5 | 6000 SERIES JAMB DETAIL
6" = 1'-0"



6 | 6000 SERIES SILL DETAIL
6" = 1'-0"



Prepared For:
 1006 Congress
 LLC
 Address
 City, State

Consultant:
ARCHETYPE
 architects
 48 Union Wharf Portland, Maine 04101
 (207) 772-6022 ARCHETYPE@ARCHETYPEPA.COM

Project:
 1008 CONGRESS
 STREET

Revisions:
 2017-12-11 - REV. BUILD. INSPECTIONS

Date:
 11-13-2017
 Scale:
 As indicated
**WINDOW TYPES &
 DETAILS**

A8.02