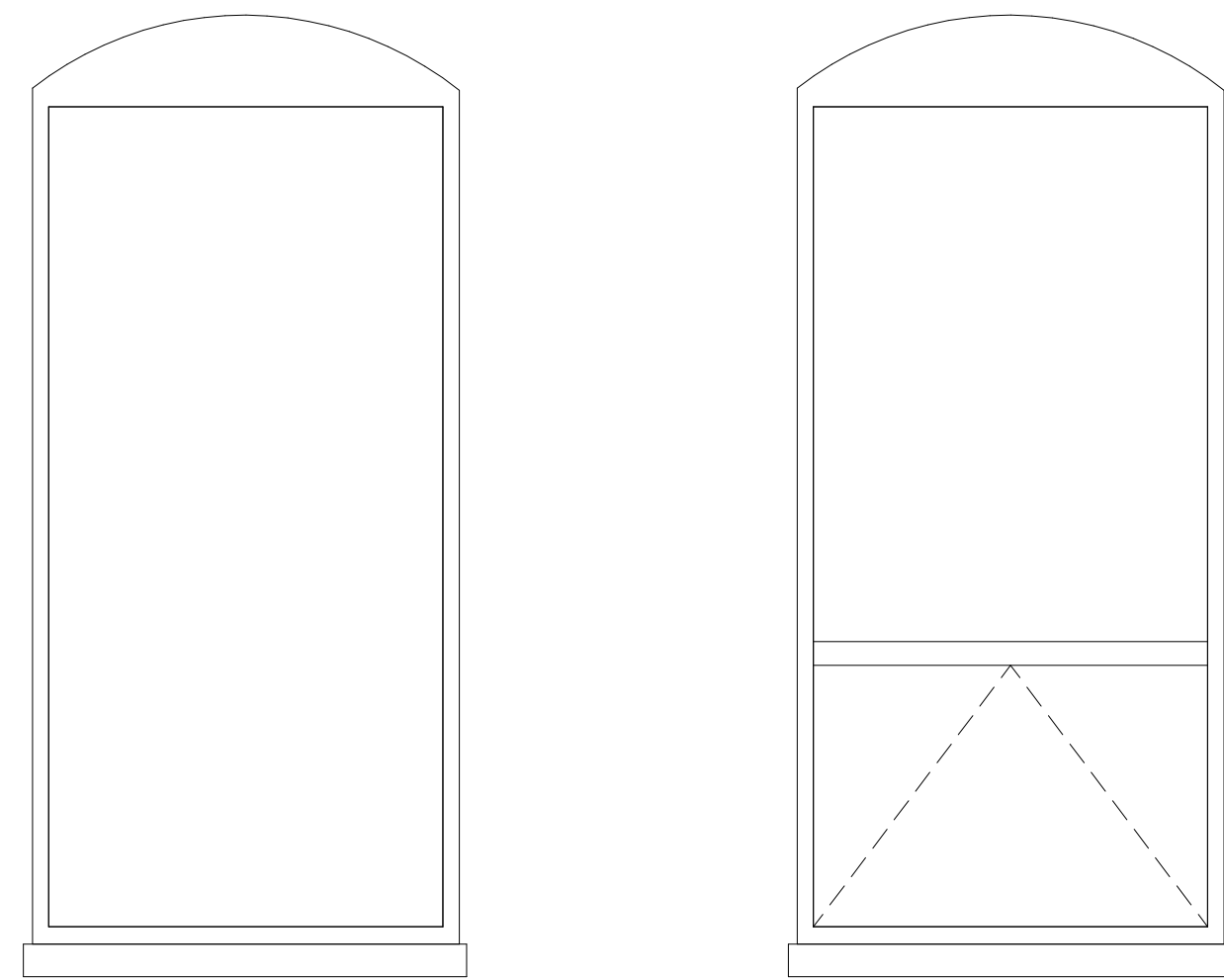
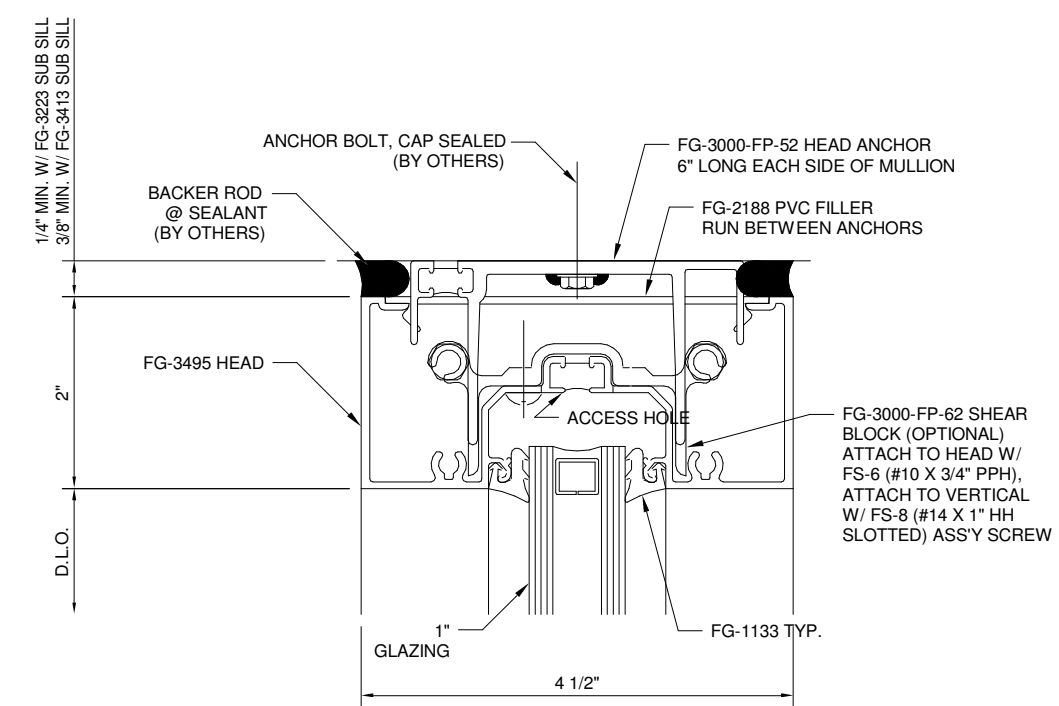


OLDCASTLE SERIES 3000 THERMAL
MULTIPANE IN BRONZE FINISH



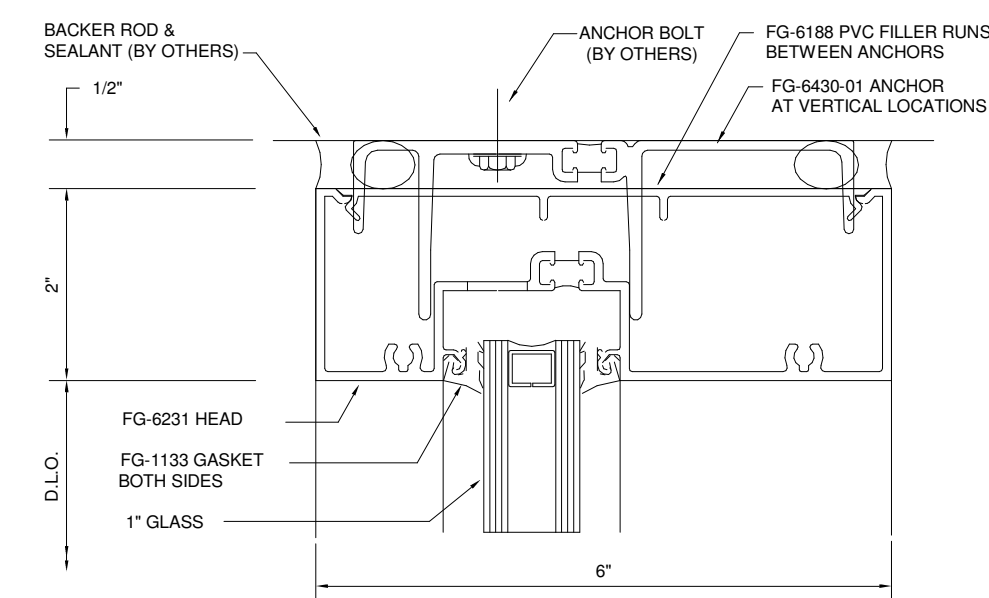
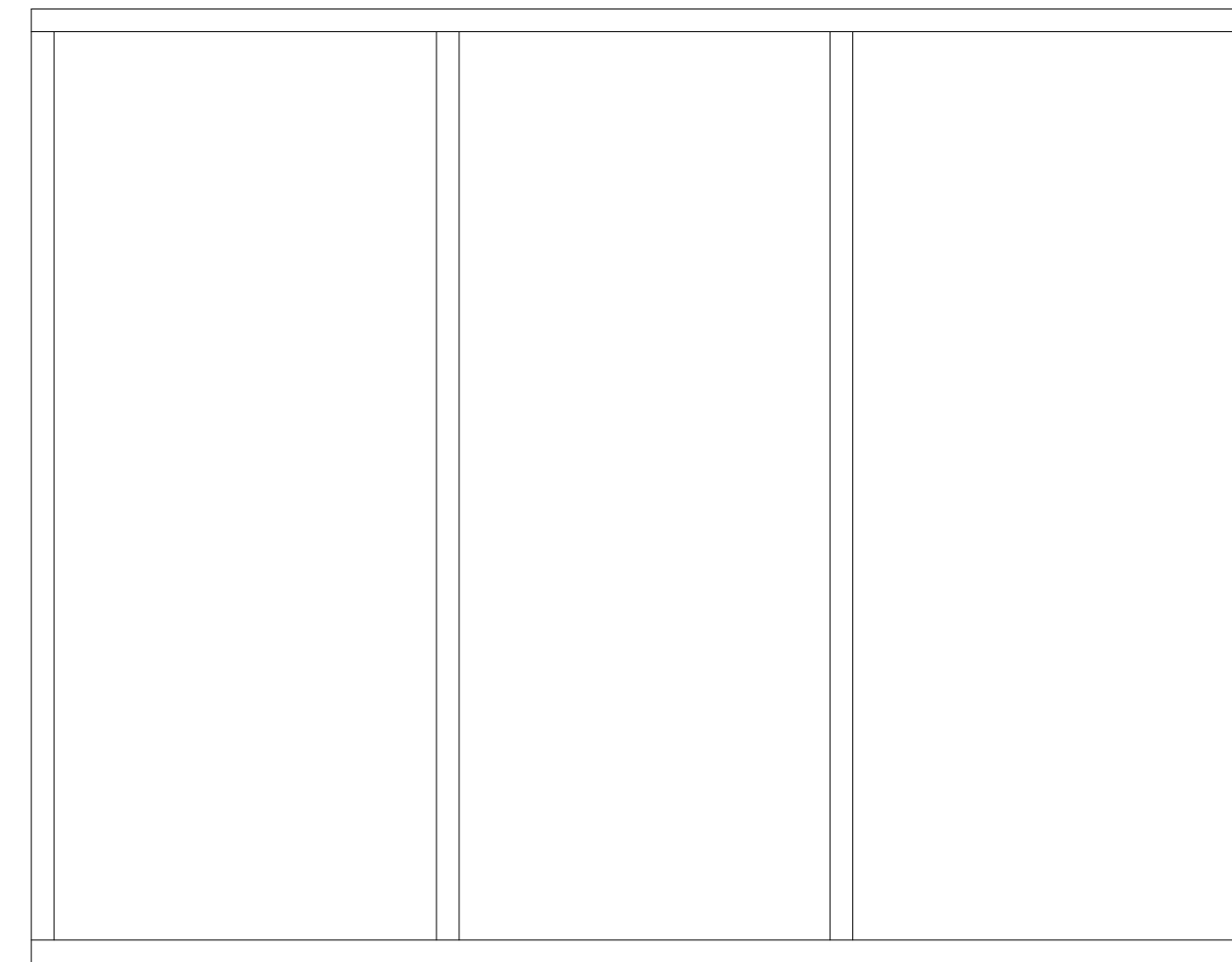
FIXED

AWNING

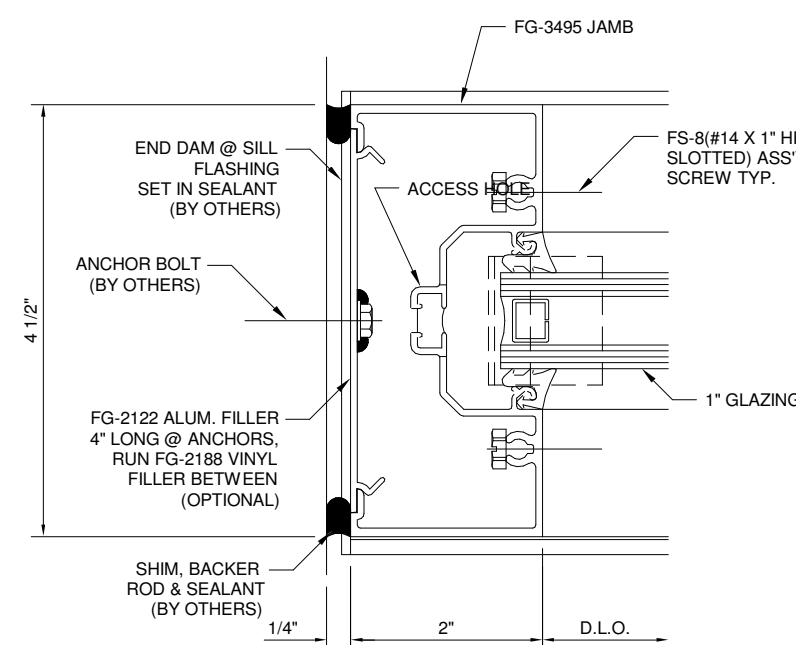


1 | 3000 SERIES HEAD DETAIL
6" = 1'-0"

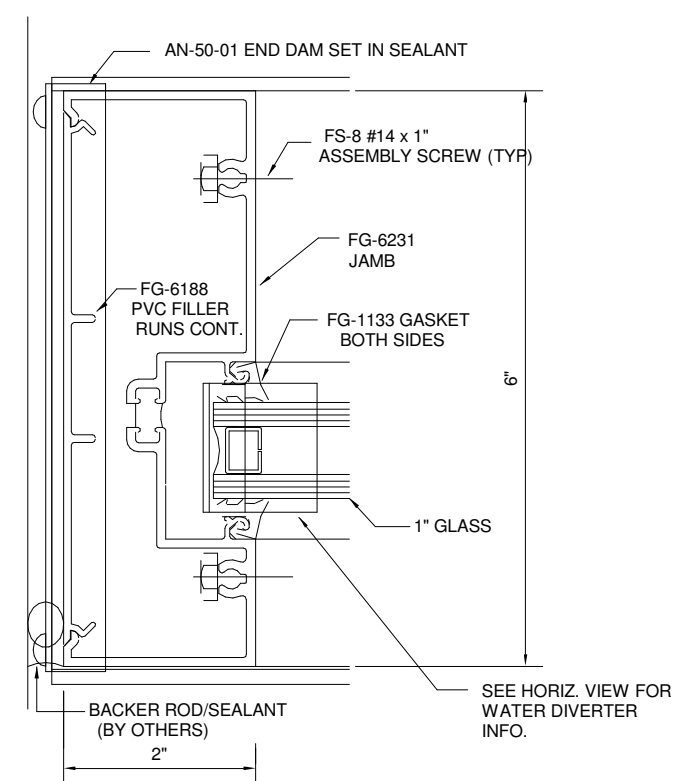
OLDCASTLE SERIES 6000 THERMAL
MULTIPANE IN BRONZE FINISH



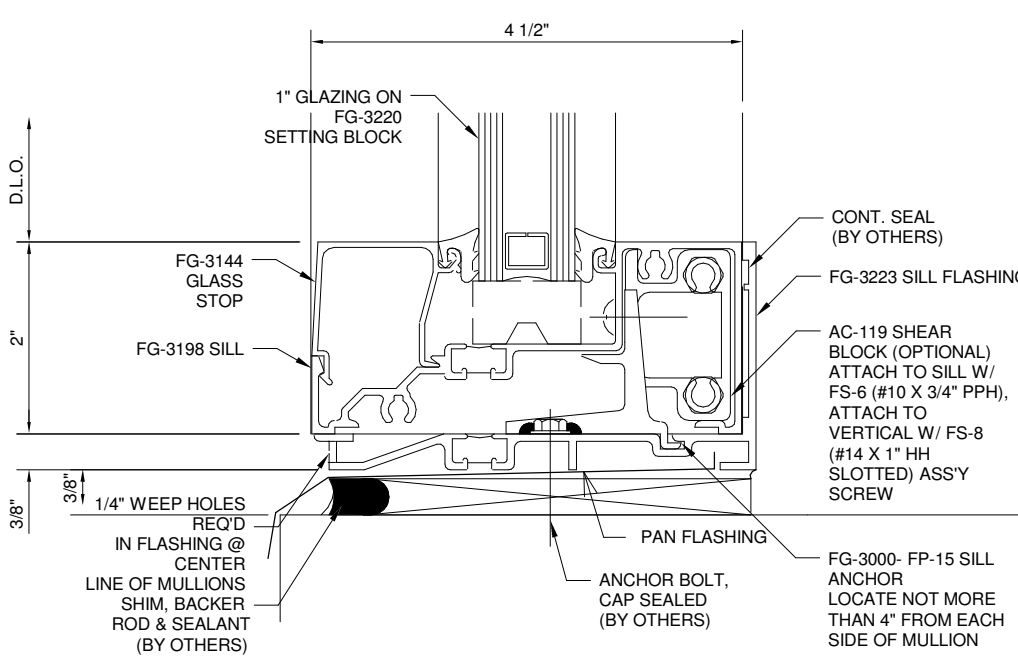
4 | 6000 SERIES HEAD DETAIL
6" = 1'-0"



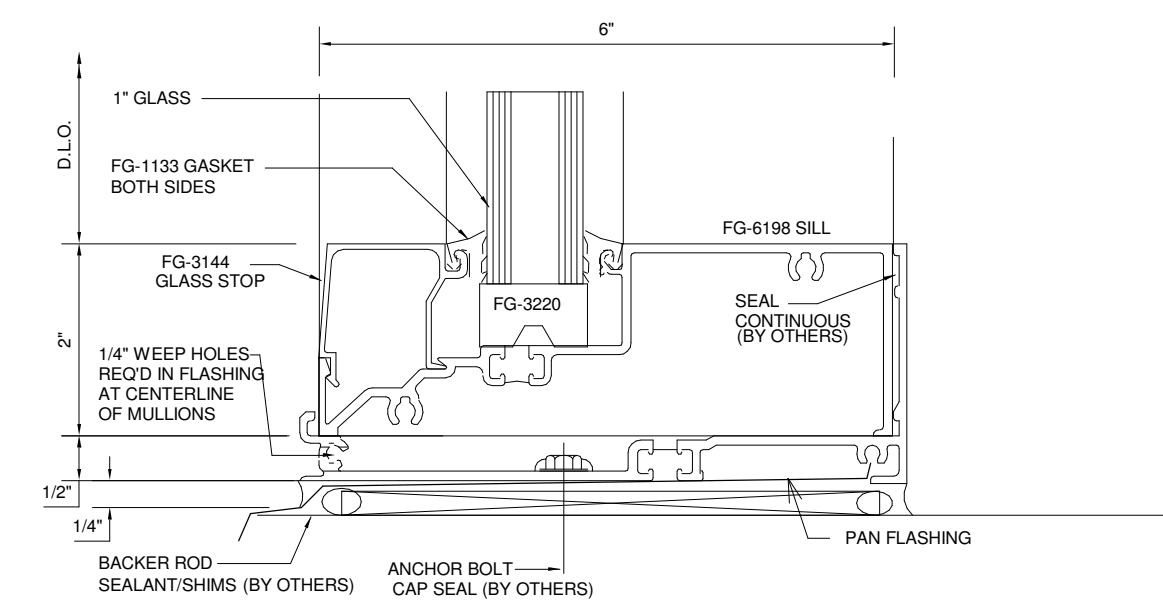
2 | 3000 SERIES JAMB DETAIL
6" = 1'-0"



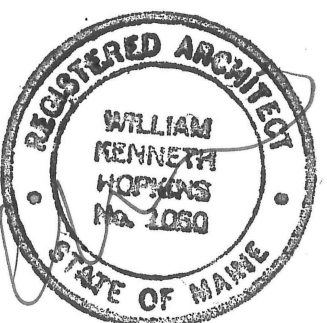
5 | 6000 SERIES JAMB DETAIL
6" = 1'-0"



3 | 3000 SERIES SILL DETAIL
6" = 1'-0"



6 | 6000 SERIES SILL DETAIL
6" = 1'-0"



Prepared For:
1006 Congress LLC
Address
City, State

Consultant:

Architect:
ARCHETYPE architects
48 Union Wharf Portland, Maine 04101
(207) 772-6022 ARCHETYPE@ARCHETYPEPA.COM

Project:
1008 CONGRESS STREET

Revisions:

Scale: As indicated
WINDOW TYPES & DETAILS

Date:
11-13-2017

A8.02