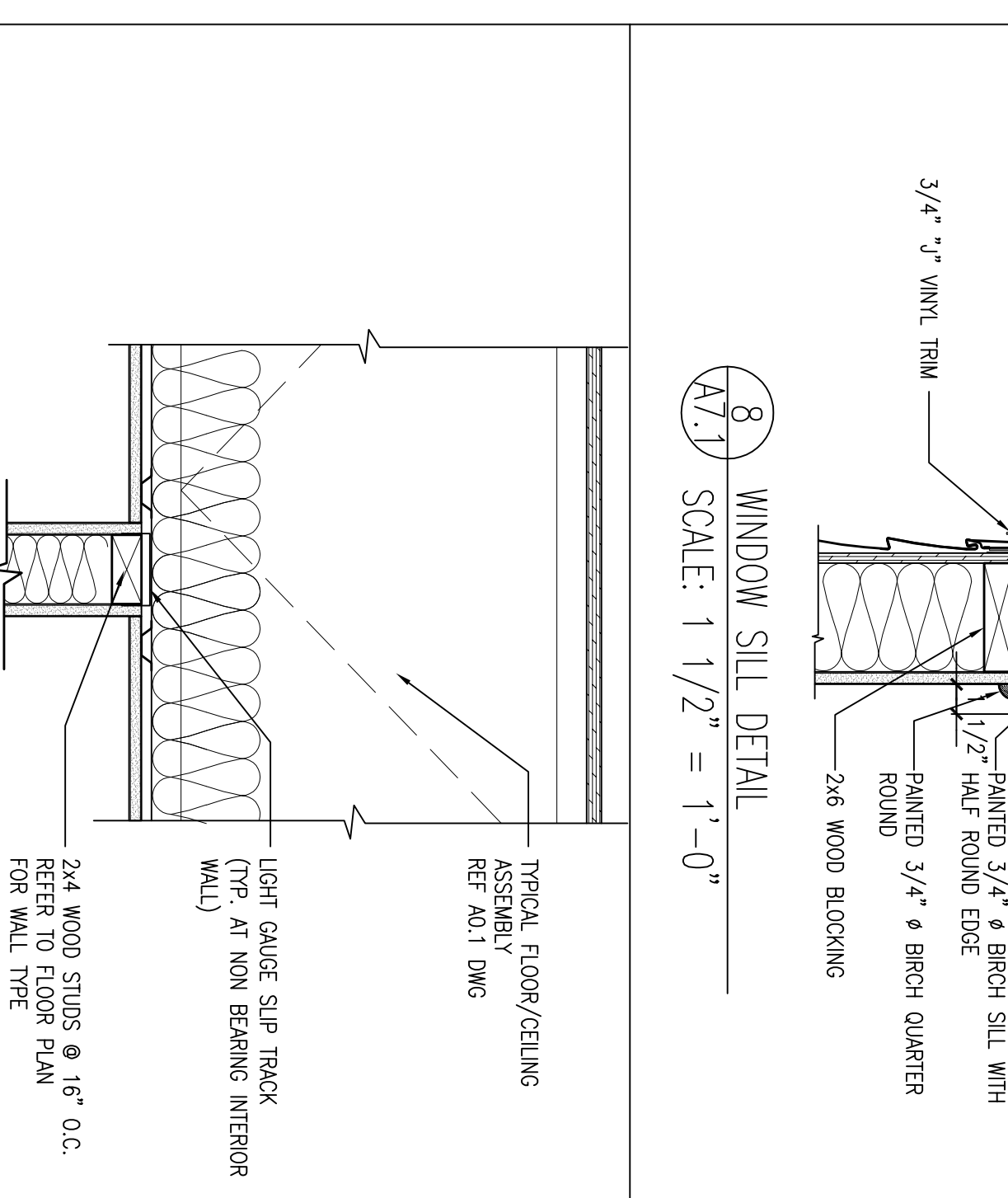
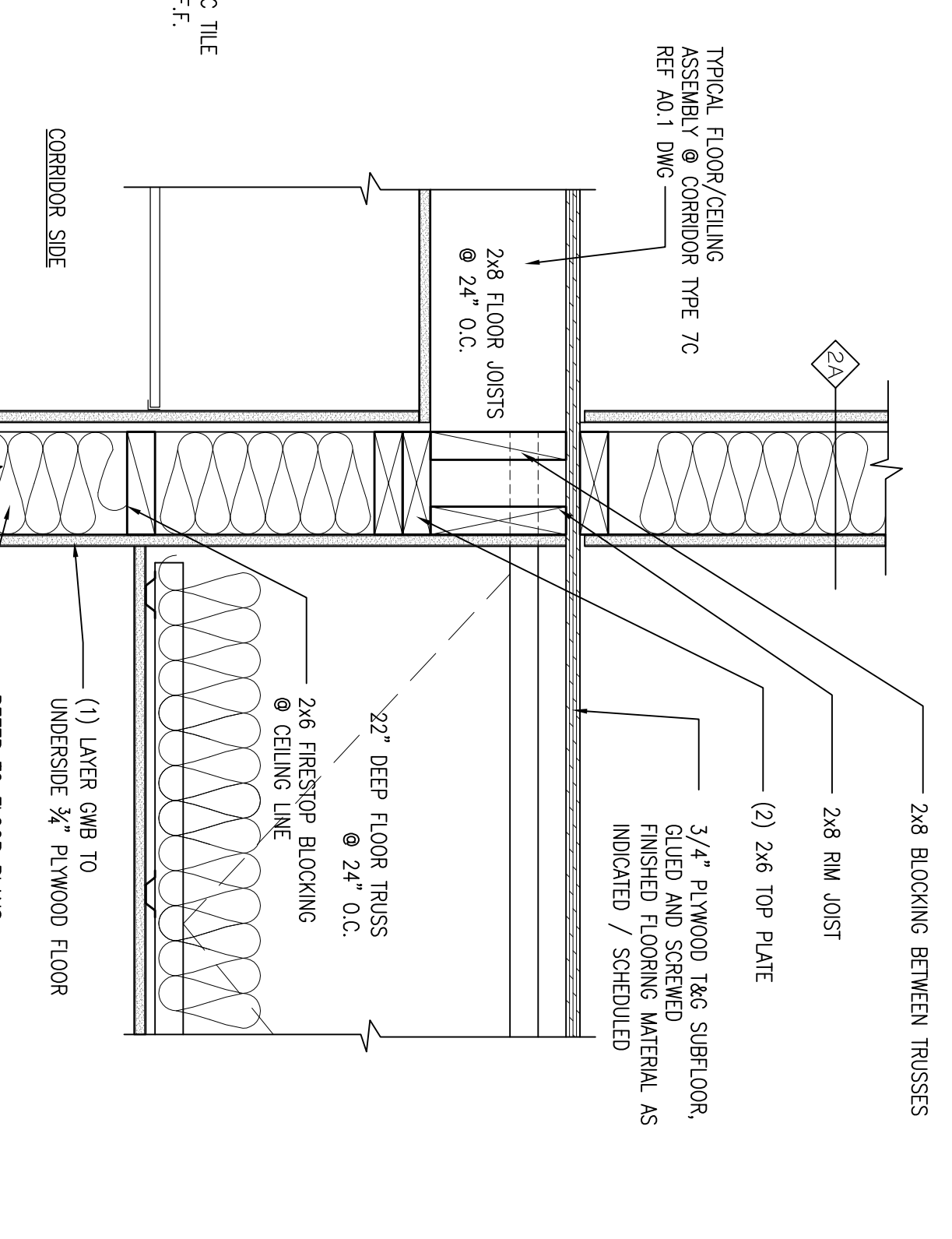
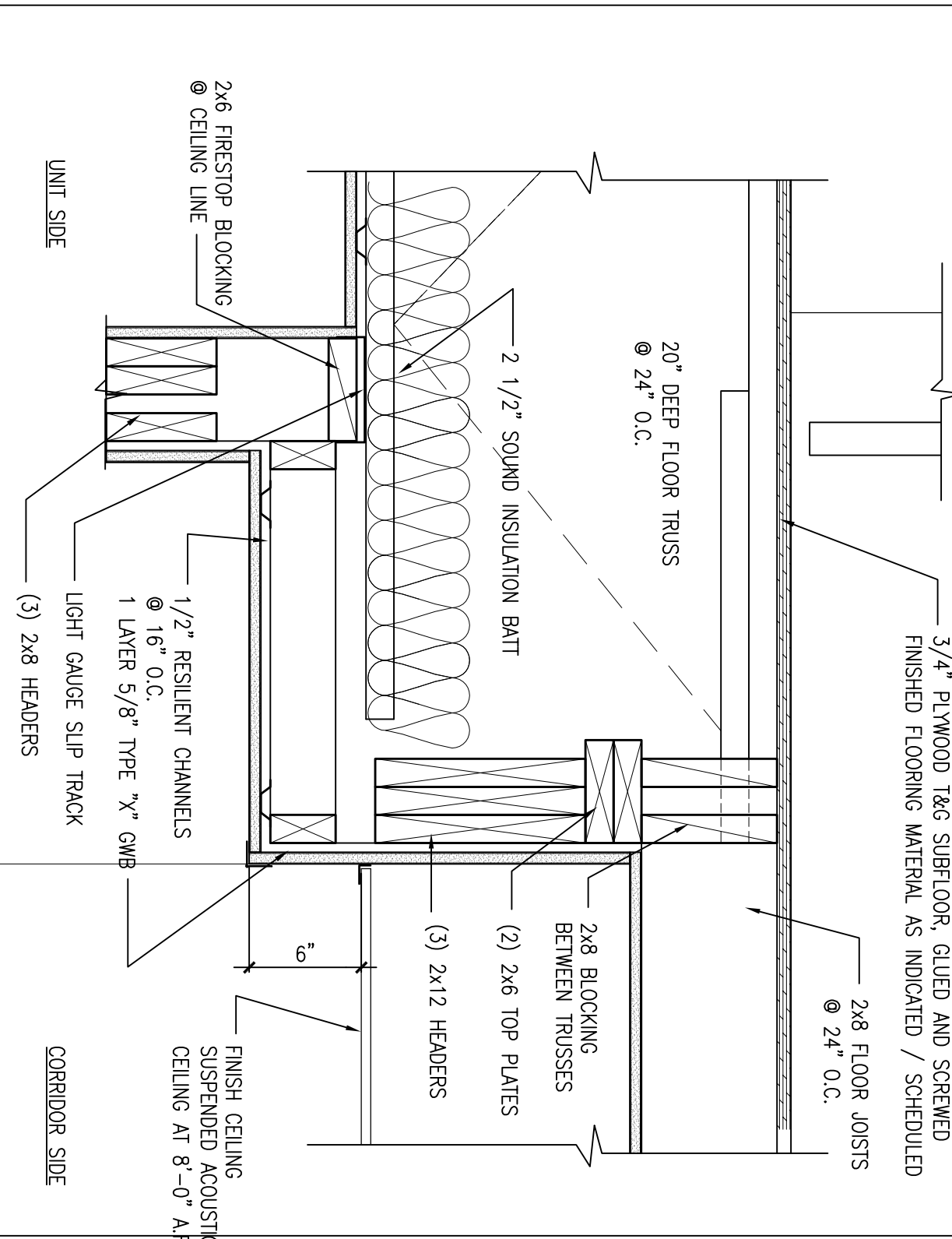
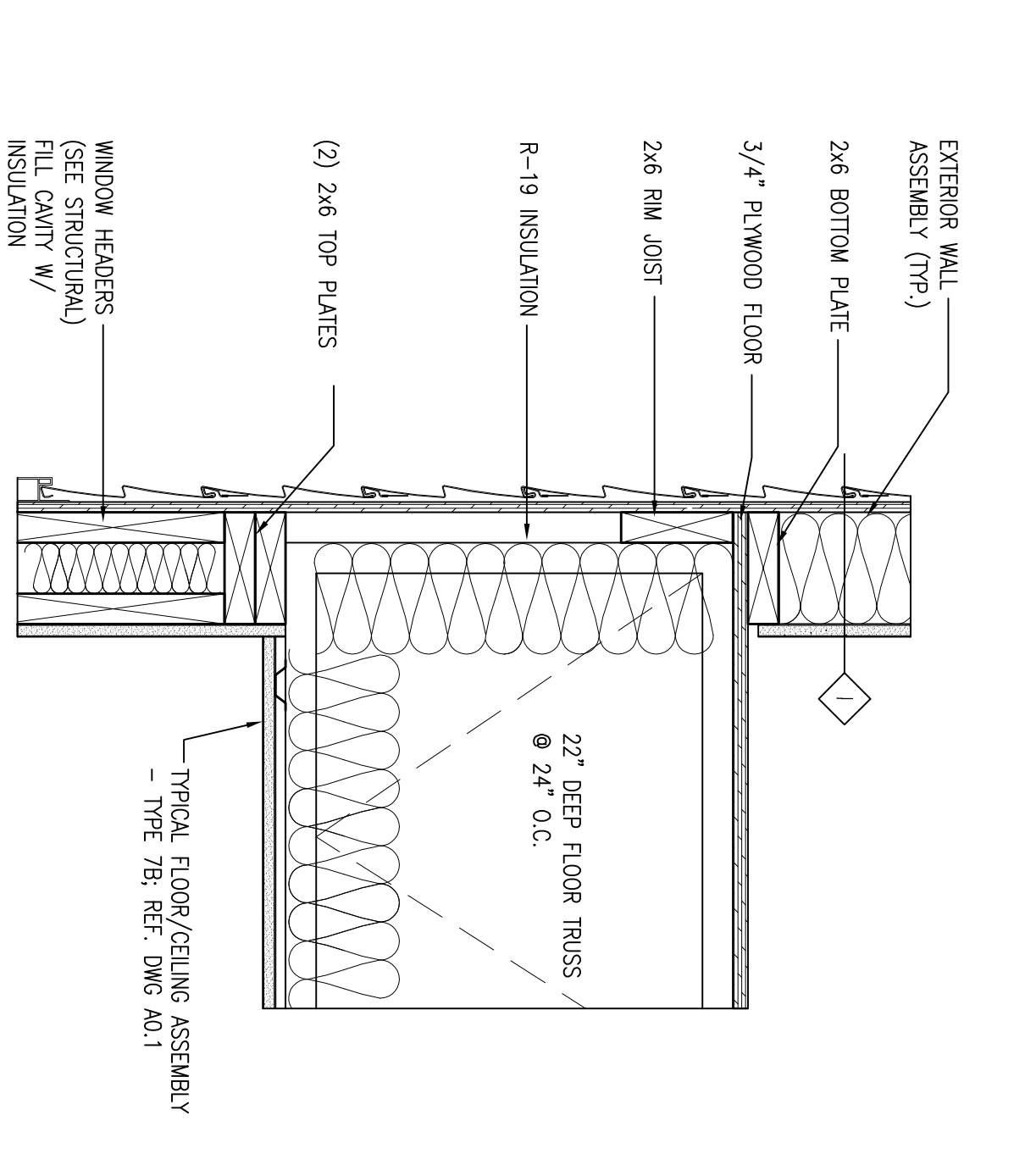


**A7.1** EAVE DETAIL @ 6:12 ROOF  
SCALE: 1 1/2" = 1'-0"

**A7.2** DETAIL @ FLOOR & CONCRETE WALL  
SCALE: 1 1/2" = 1'-0"

**A7.3** INTERIOR BEARING WALL DETAIL  
SCALE: 1 1/2" = 1'-0"

**A7.4** WINDOW HEAD DETAIL  
SCALE: 1 1/2" = 1'-0"

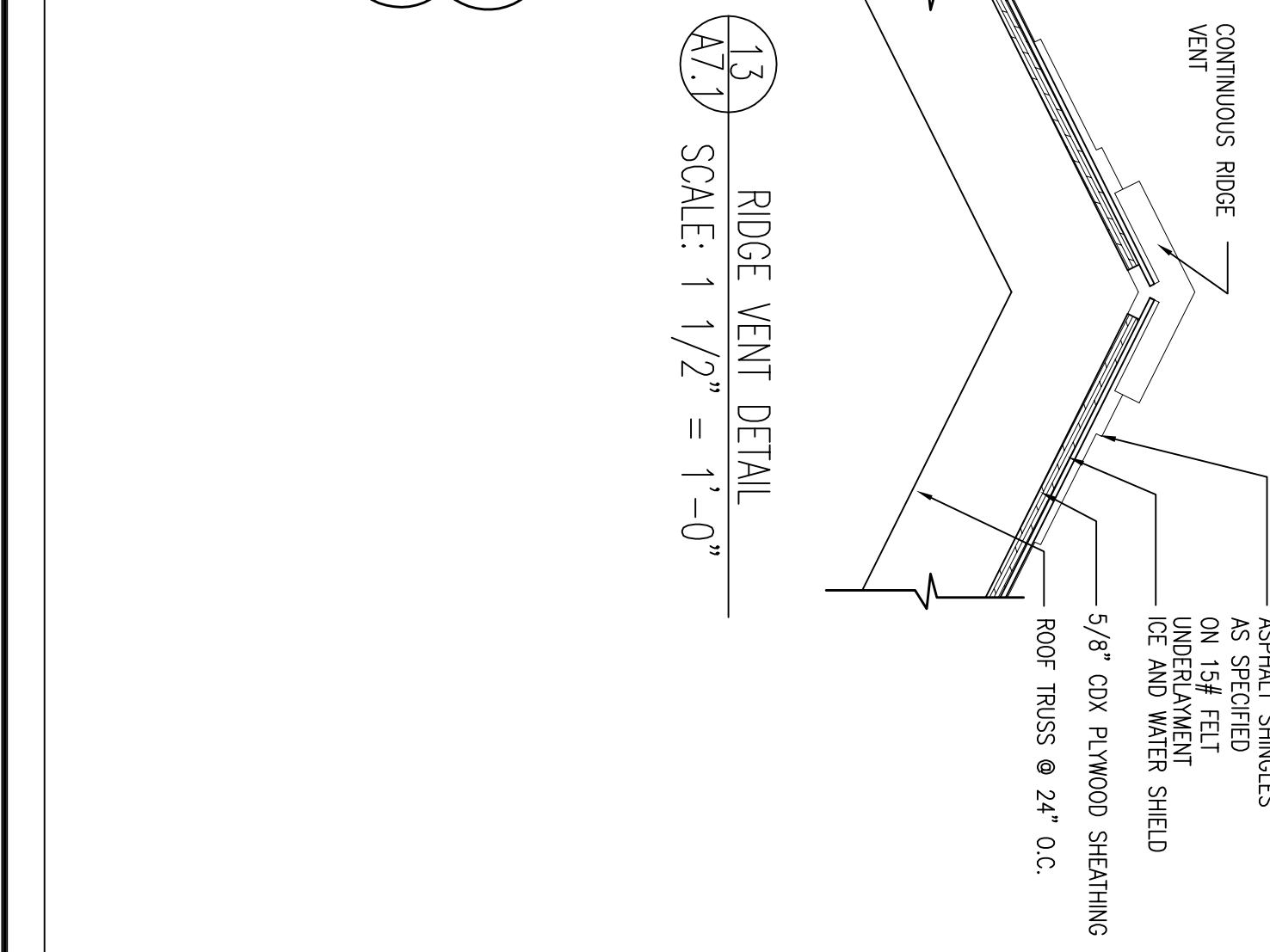
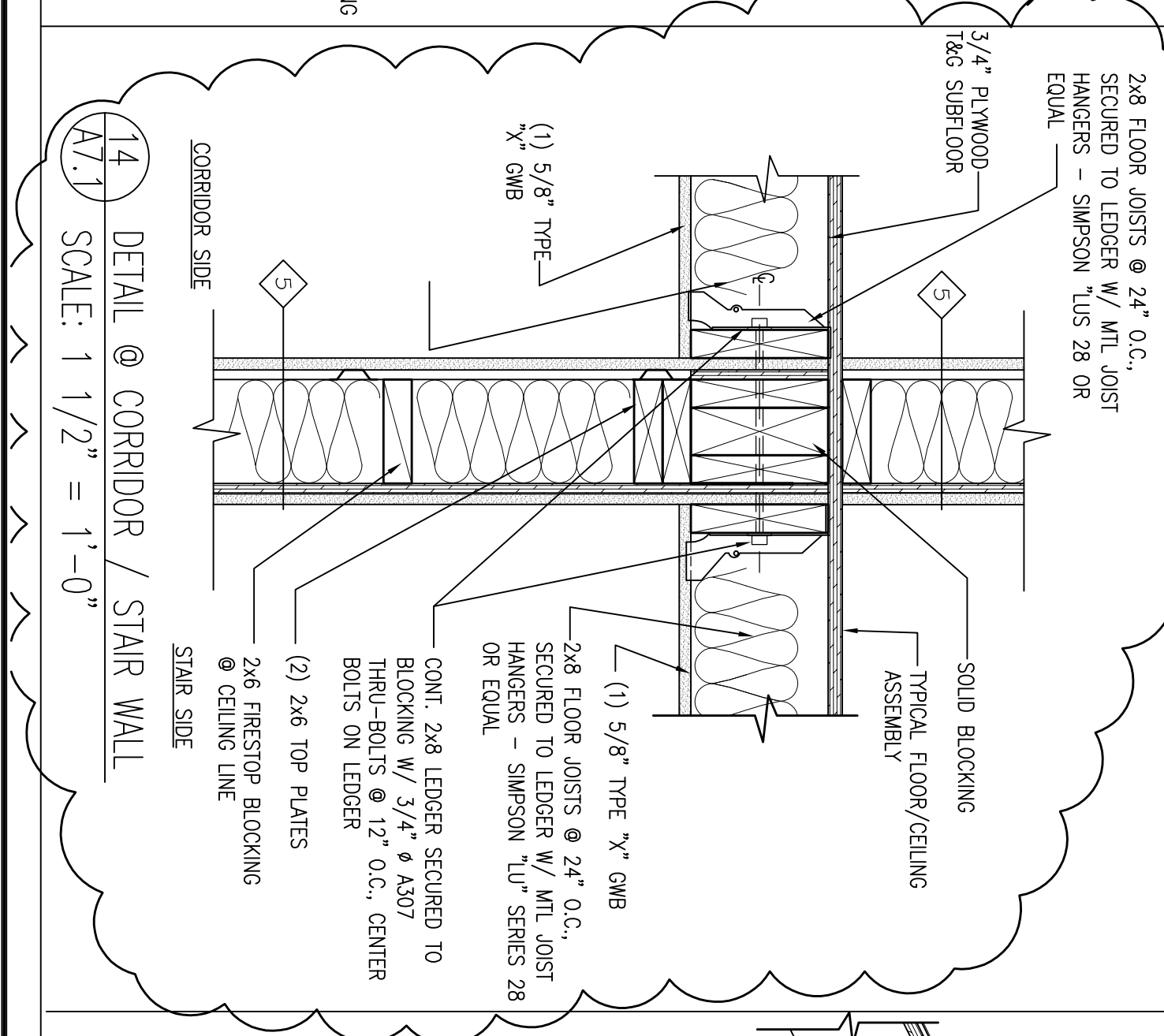
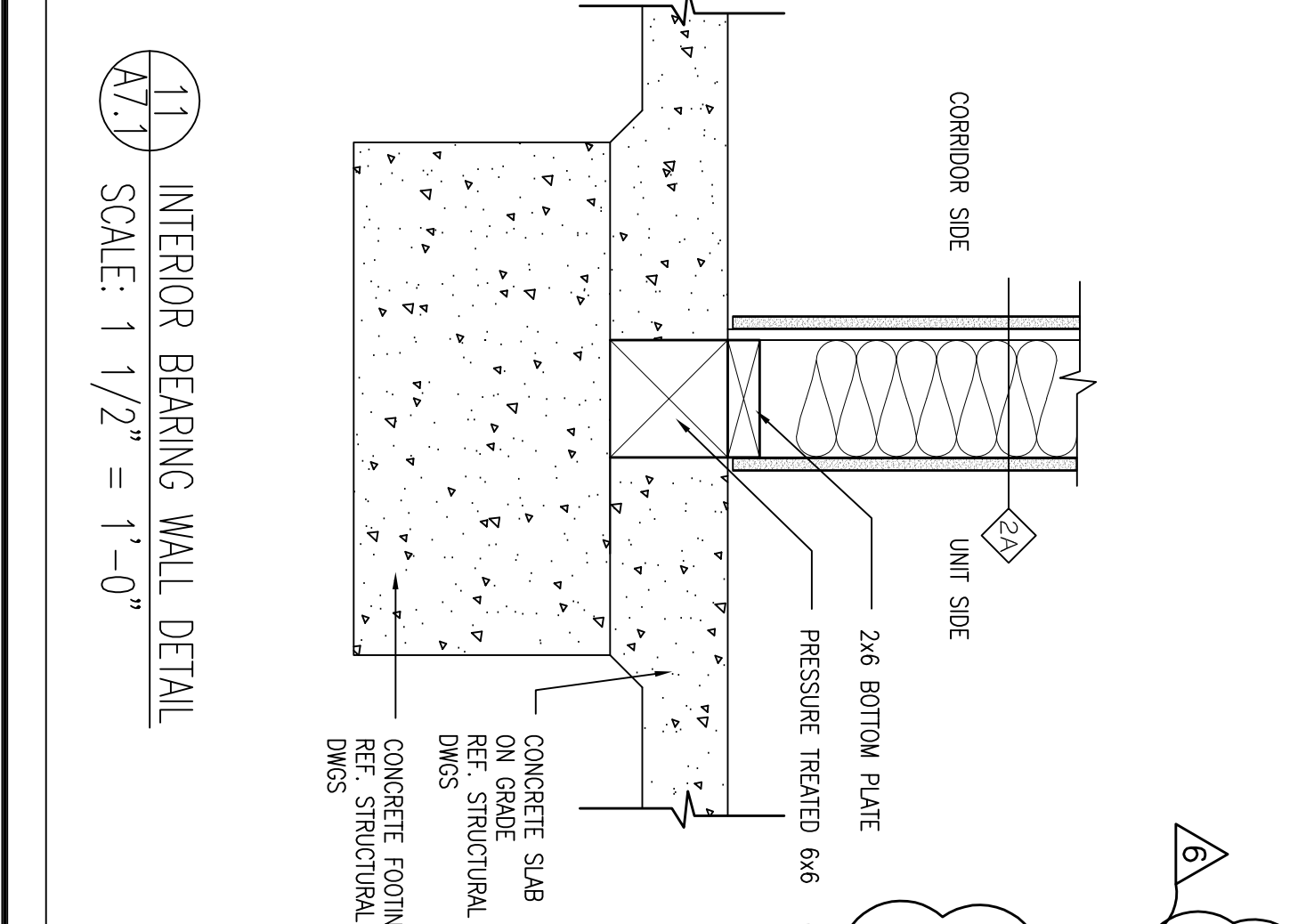
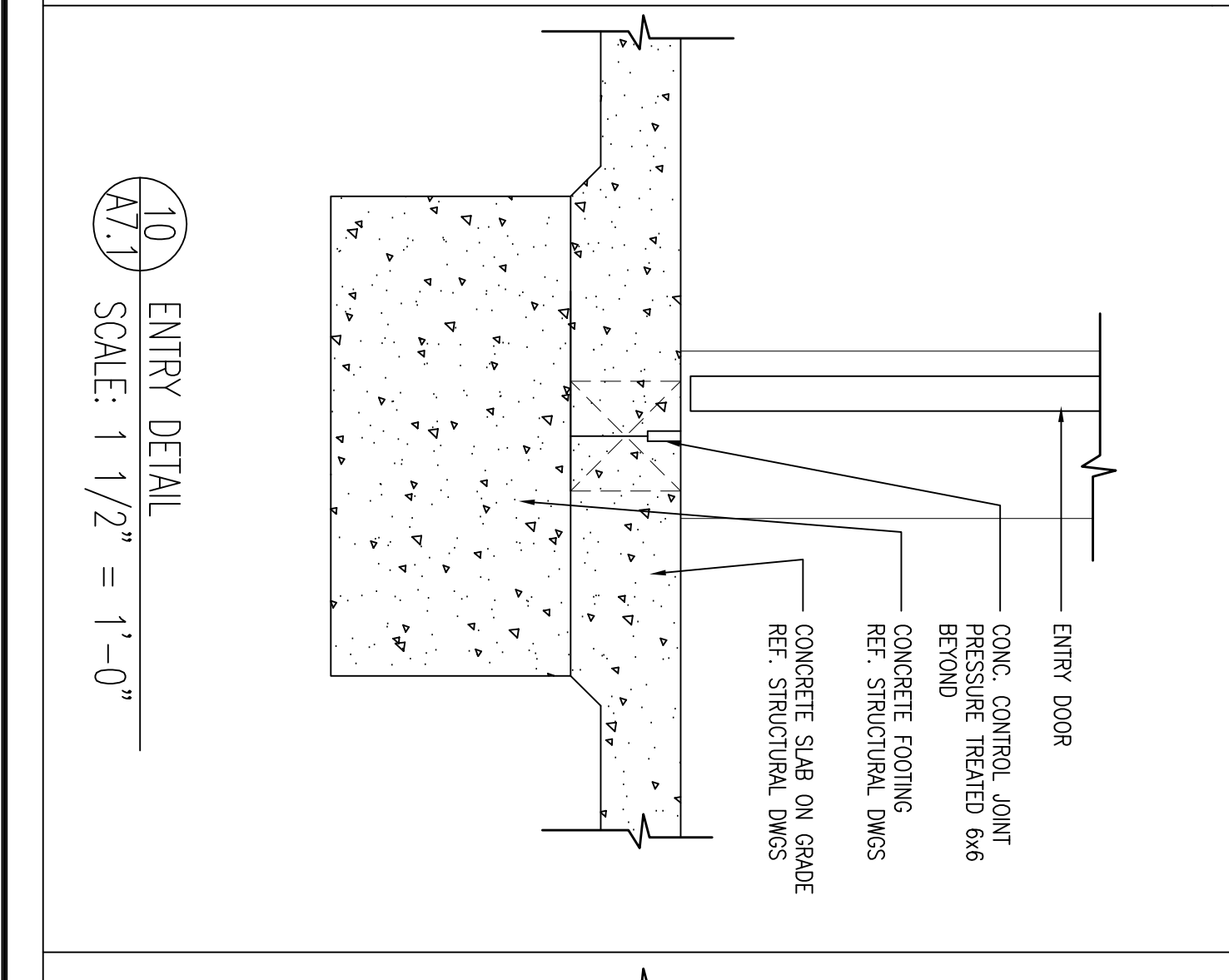
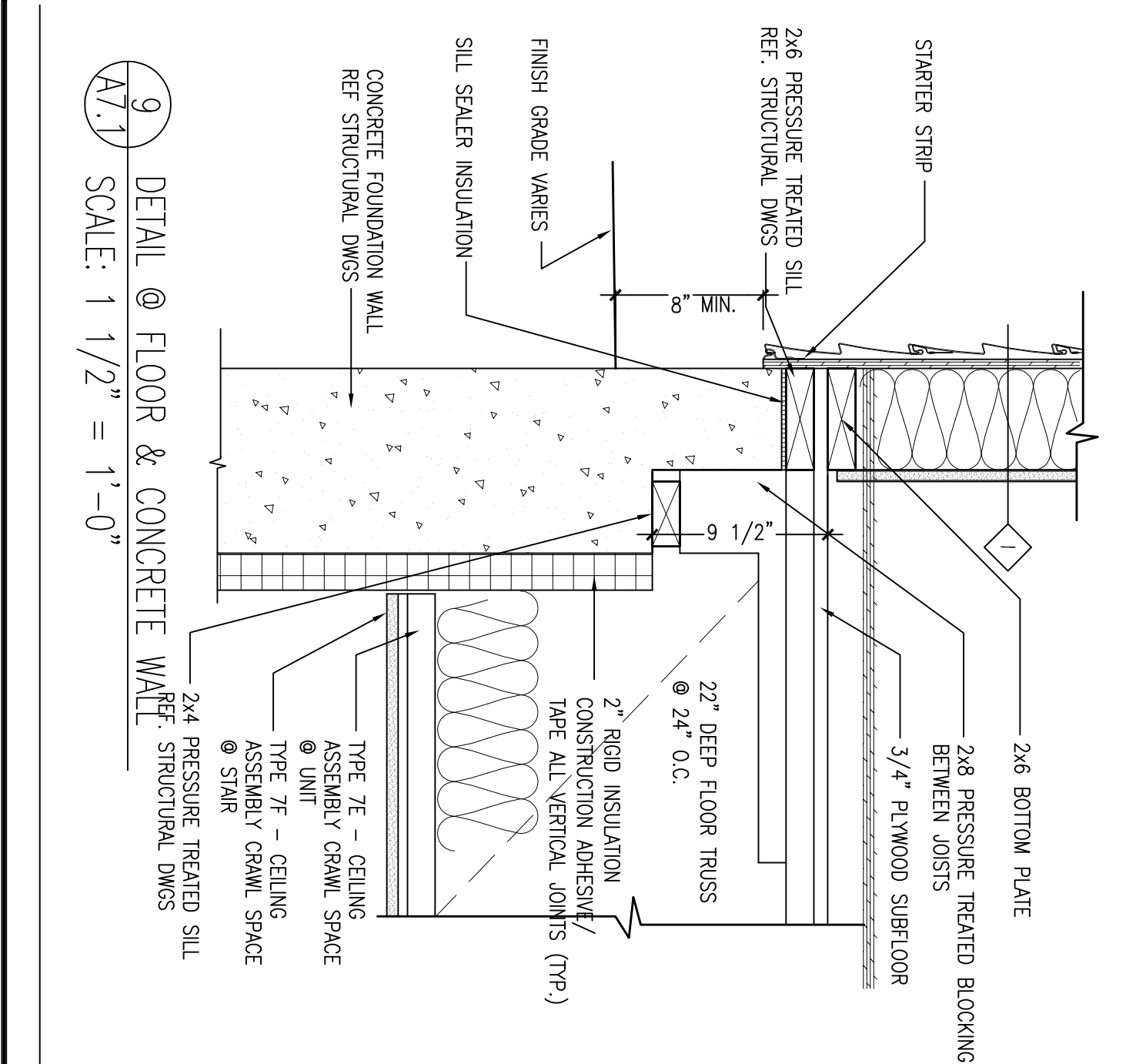


**A7.5** DETAIL @ FLOOR & EXTERIOR WALL  
SCALE: 1 1/2" = 1'-0"

**A7.6** DETAIL @ FLOOR & EXTERIOR WALL  
SCALE: 1 1/2" = 1'-0"

**A7.7** INTERIOR BEARING WALL DETAIL  
SCALE: 1 1/2" = 1'-0"

**A7.12** TYPICAL NON BEARING 3 1/2" WALL DETAIL  
SCALE: 1 1/2" = 1'-0"



**A7.9** DETAIL @ FLOOR & CONCRETE WALL  
SCALE: 1 1/2" = 1'-0"

**A7.10** ENTRY DETAIL  
SCALE: 1 1/2" = 1'-0"

**A7.11** INTERIOR BEARING WALL DETAIL  
SCALE: 1 1/2" = 1'-0"

**A7.14** DETAIL @ CORRIDOR / STAIR WALL  
SCALE: 1 1/2" = 1'-0"

**A7.13** RIDGE VENT DETAIL  
SCALE: 1 1/2" = 1'-0"

**CWS Architects**  
Architects  
Space Planning  
Value Design  
434 Cambridge Avenue  
Portland, ME 04101  
Phone: (207) 774-4441  
Fax: (207) 774-4018  
[www.CWSarch.com](http://www.CWSarch.com)

**YORK-CUMBERLAND**  
HOUSING DEVELOPMENT  
Diery  
**YC PORTLAND LP**  
C/O AVESTA  
307 CUMBERLAND AVE.  
PORTLAND, MAINE 04101  
(207) 553-7777

**LOGAN PLACE**  
PORTLAND, MAINE  
Project No: 01499 SR0  
Drawing Title: **DETAILS**  
Scale: AS NOTED  
Date: FEBRUARY 06, 2004  
Revisions:  
ADORNUM - 04/16/2004  
Drawing Number: **A7.1**