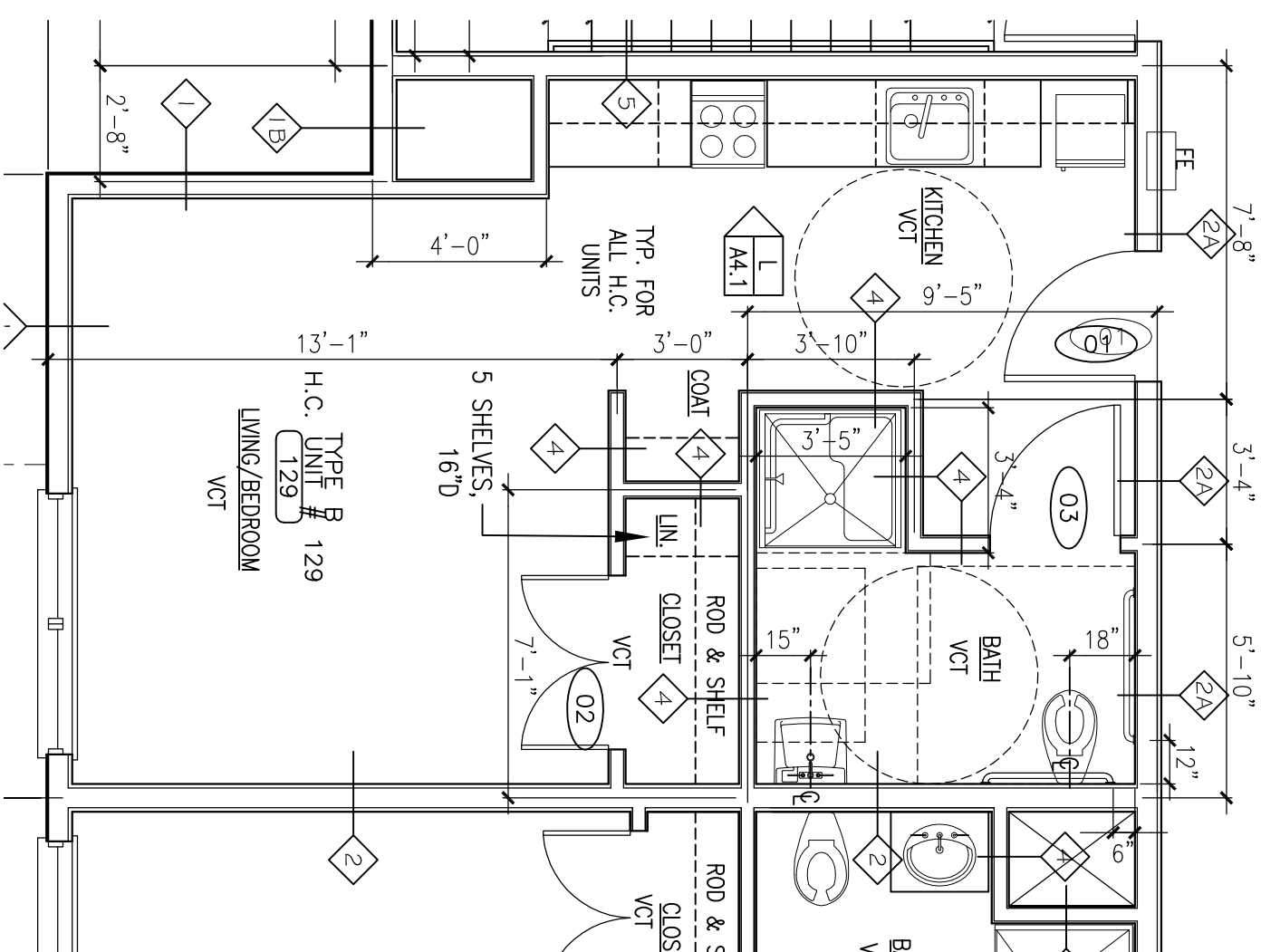
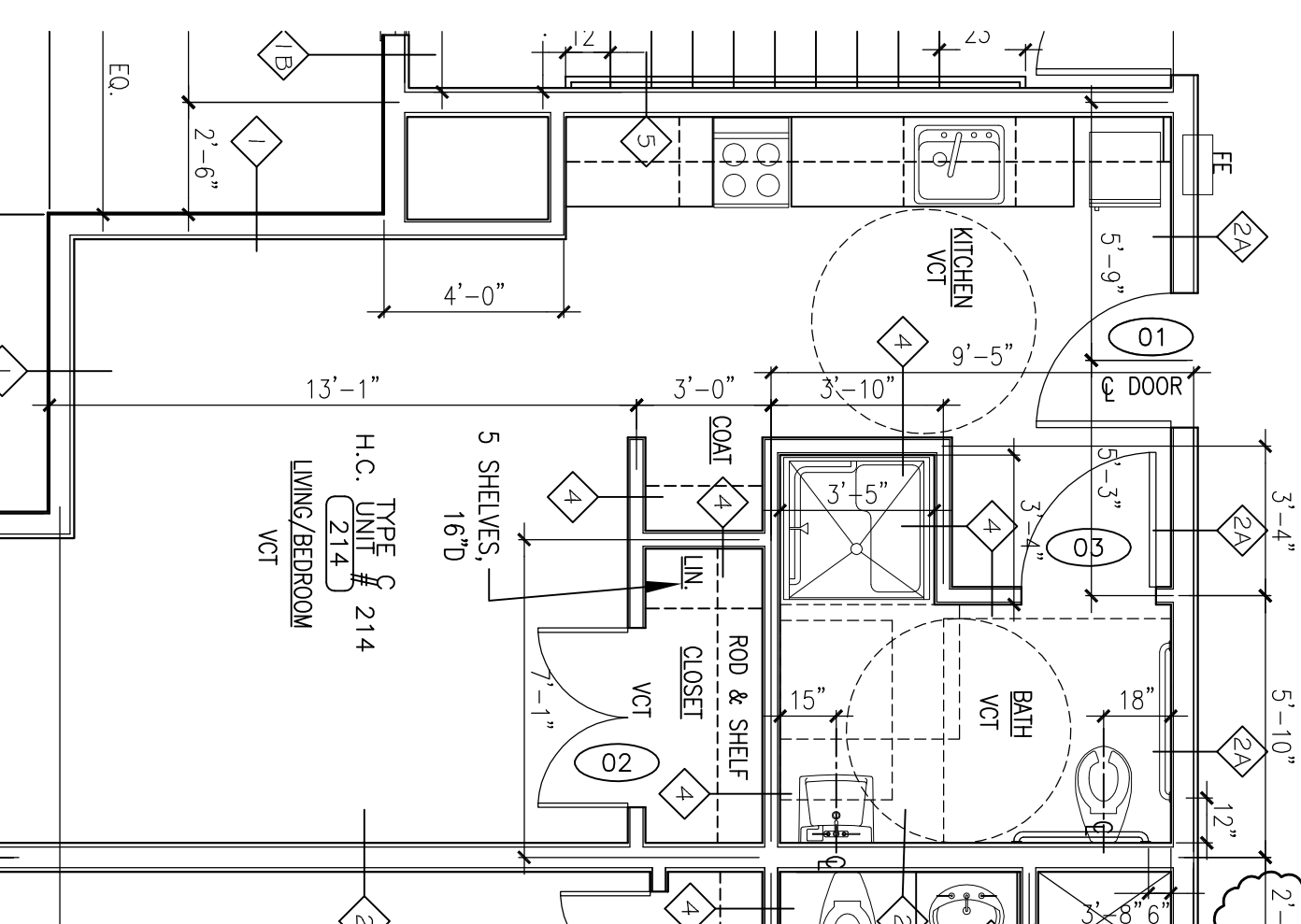


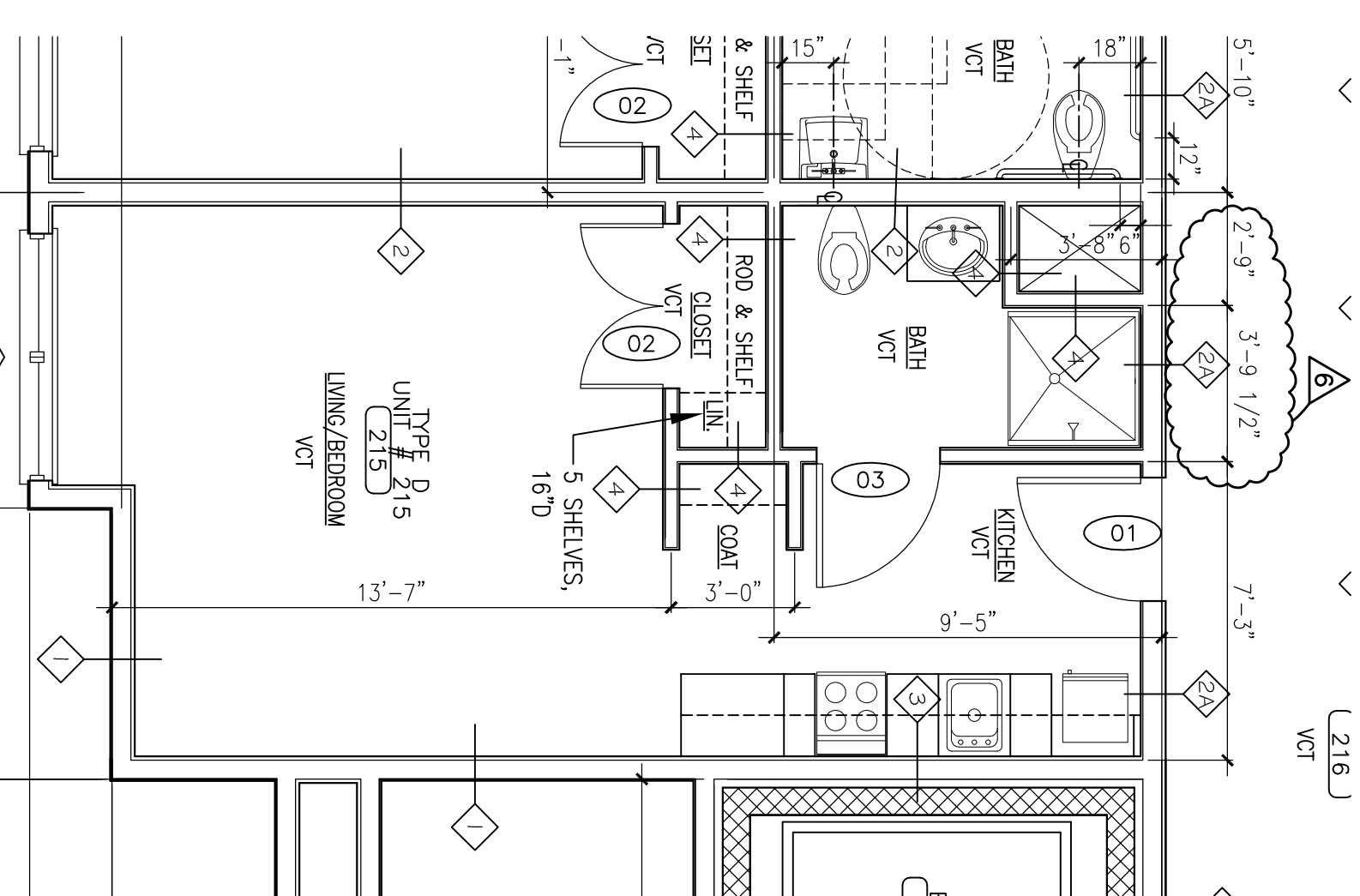
**1 UNIT A**  
SCALE: 1/4" = 1'-0"



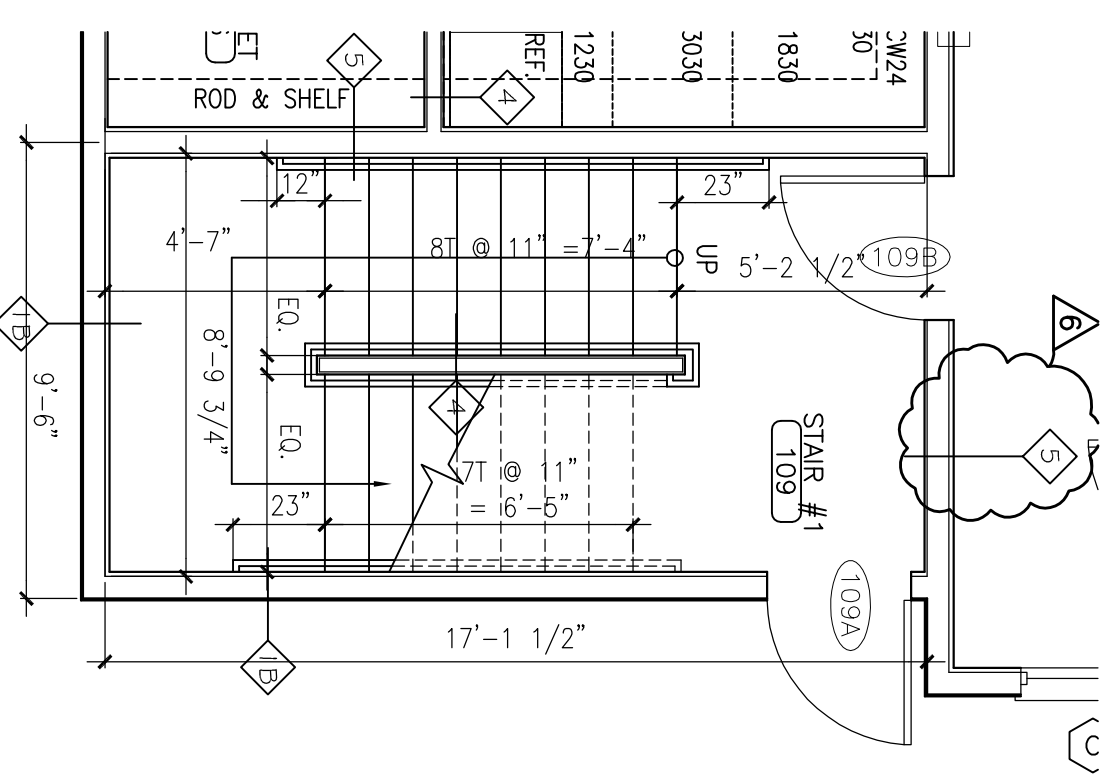
**2 UNIT B - H.C. UNIT**  
SCALE: 1/4" = 1'-0"



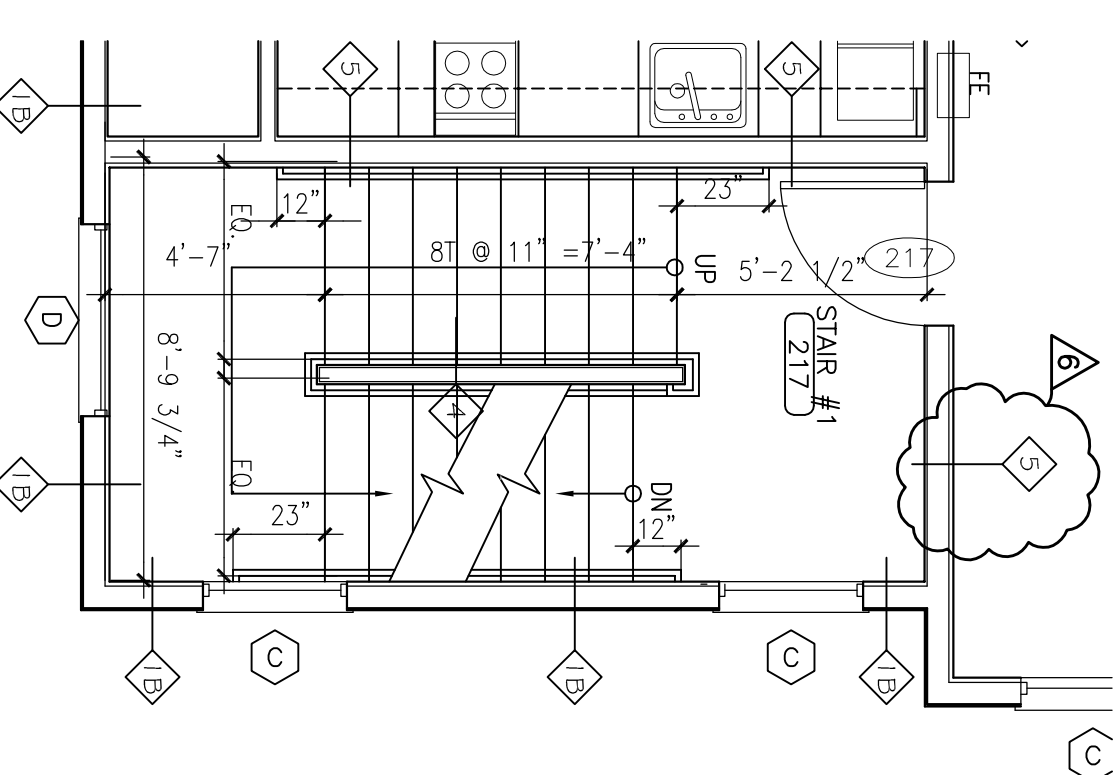
**3 UNIT C - H.C. UNIT**  
SCALE: 1/4" = 1'-0"



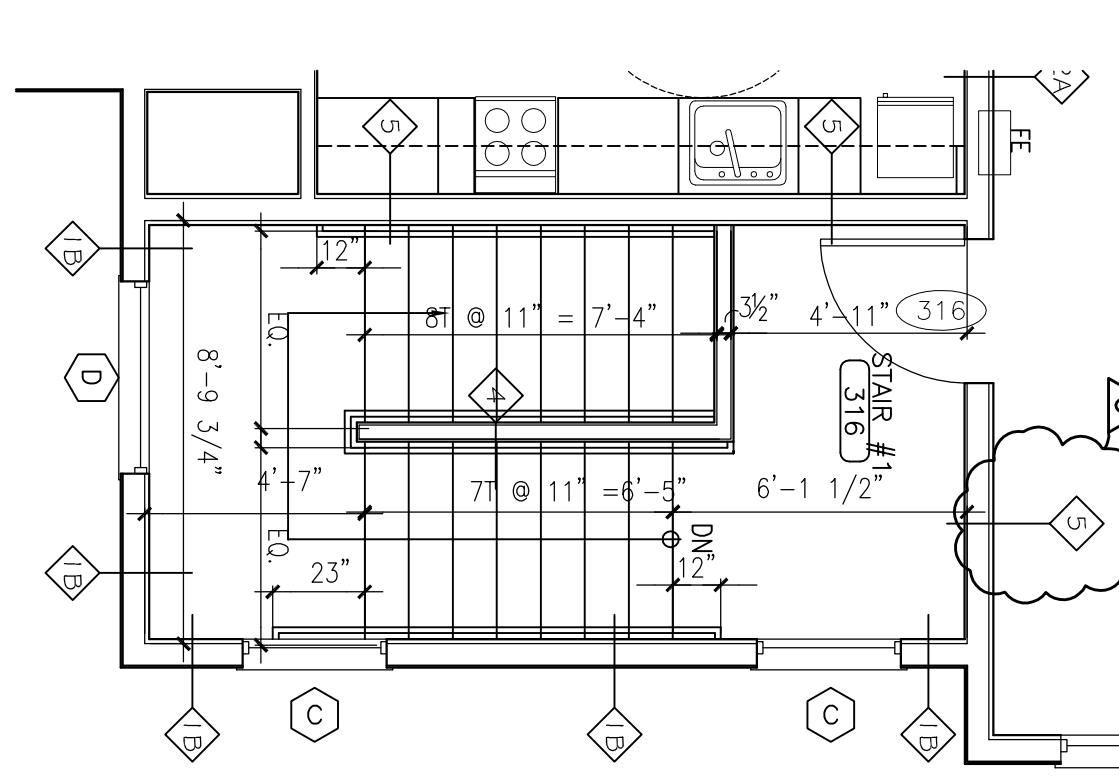
**4 UNIT D**  
SCALE: 1/4" = 1'-0"



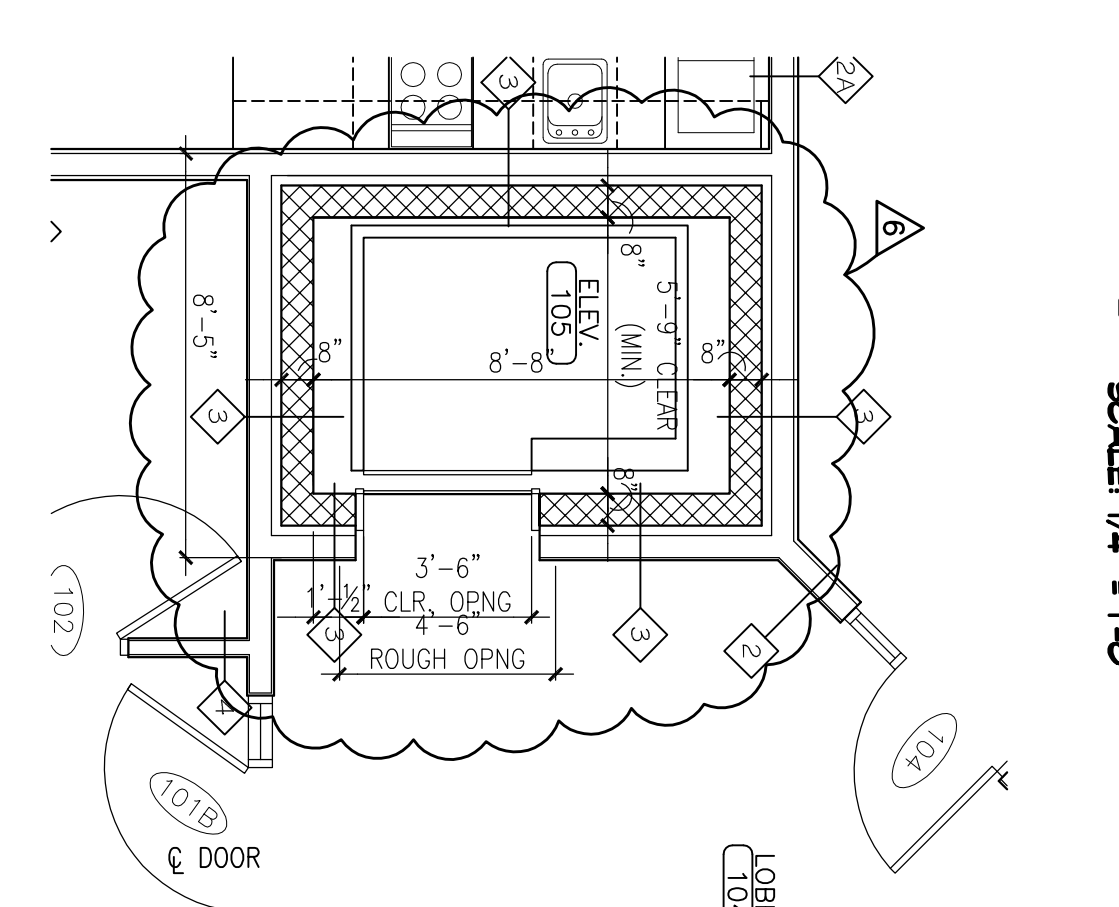
**5 STAIR #1 @ 1ST FLOOR**  
DETAIL PLAN  
SCALE: 1/4" = 1'-0"



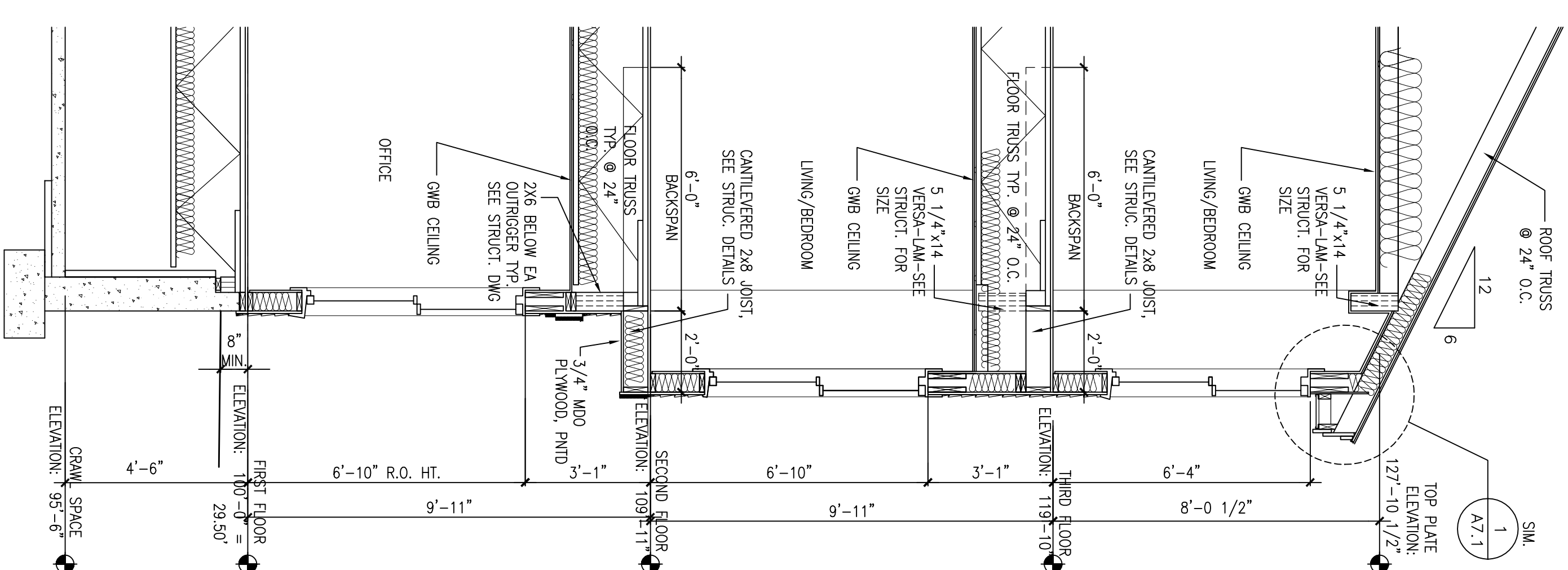
**6 STAIR #1 @ 2ND FLOOR**  
DETAIL PLAN  
SCALE: 1/4" = 1'-0"



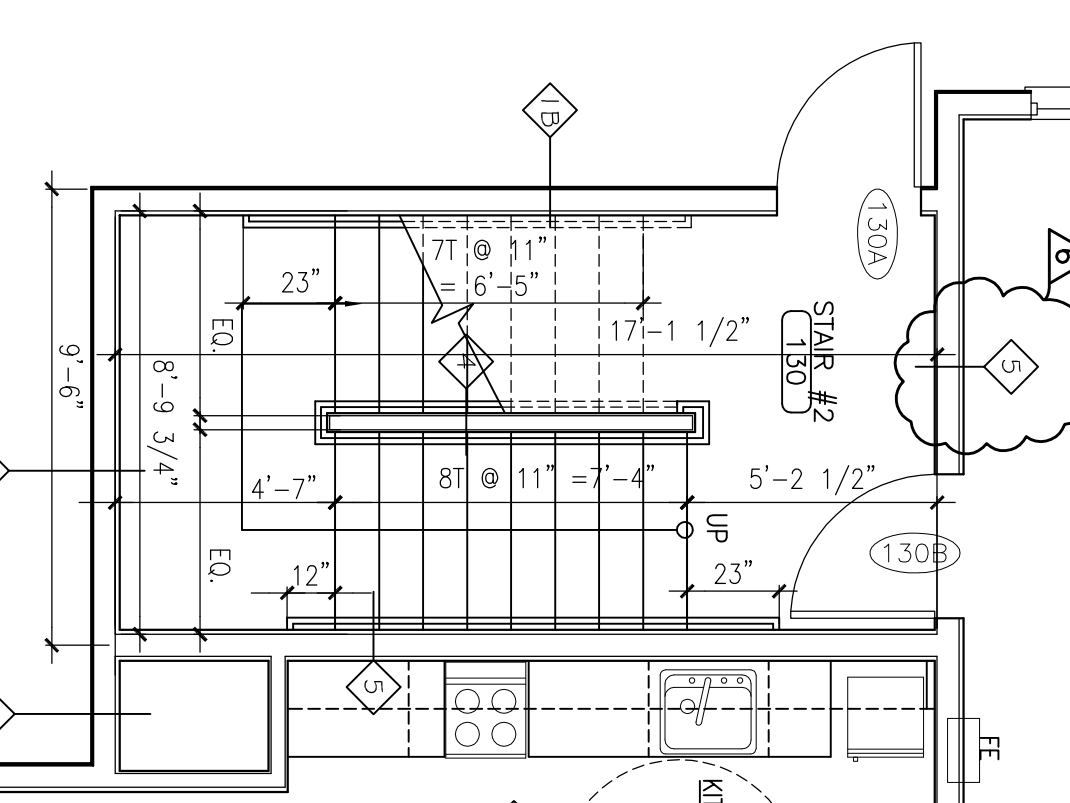
**7 STAIR #1 @ 3RD FLOOR**  
DETAIL PLAN  
SCALE: 1/4" = 1'-0"



**11 ELEVATOR PLAN**  
SCALE: 1/4" = 1'-0"



**H PARTIAL SECTION**  
SCALE: 5/8" = 1'-0"



**8 STAIR #2 @ 1ST FLOOR**  
DETAIL PLAN  
SCALE: 1/4" = 1'-0"

