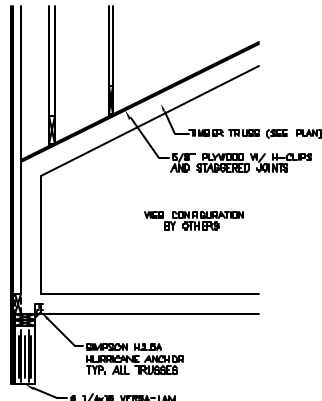
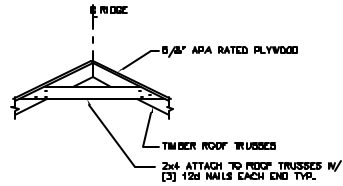


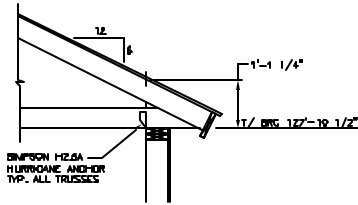
SECTION 12  
3/4" = 1'-0"



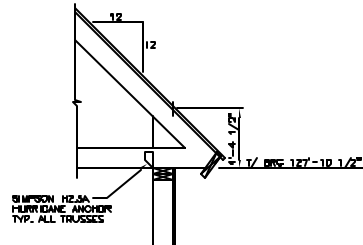
SECTION 13  
3/4" = 1'-0"



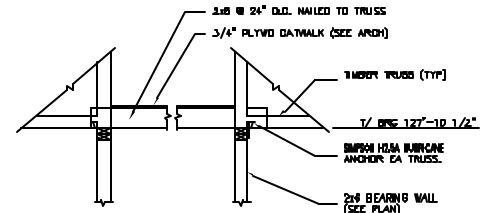
TYP. TRUSS RIDGE CONN DETAIL  
3/4" = 1'-0"



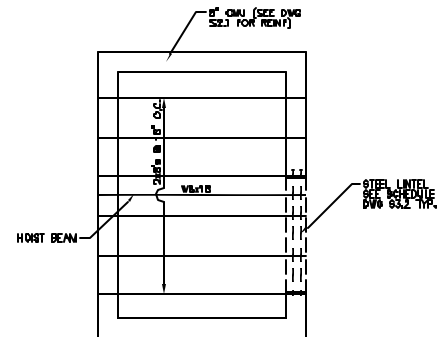
SECTION 14  
3/4" = 1'-0"



SECTION 15  
3/4" = 1'-0"



SECTION 16  
3/4" = 1'-0"



ELEVATOR SHAFT CEILING FRAMING  
1/2" = 1'-0"

MASONRY OPENING	LINTEL SIZE
UP TO 3'-0"	L3 1/2x3 1/2x3/16
3'-0" - 4'-0"	L4x3 1/2x3/16 (4" LEAD VERT.)
4'-0" - 6'-0"	L5x3 1/2x3/16 (6" LEAD VERT.)
6'-0" - 8'-0"	L6x3 1/2x3/16 (6" LEAD VERT.)

- NOTES:
1. PROVIDE LINTELS OVER ALL OPENINGS EXCEPT WHERE LINTEL BLOCKS ARE PROVIDED.
  2. PROVIDE ONE ANGLE FOR EACH 4" OF WALL THICKNESS FOR 6" WALLS. PROVIDE WT OR MULT-LIP SECTION WITH PROPERTIES EQUAL TO OR GREATER THAN 1 1/2 TIMES THE ANGLE PROPERTIES FOR A 4" WALL THICKNESS.
  3. PROVIDE 6" OF BEARING @ EACH END OF ALL LINTELS.
  4. ALL EXTERIOR LINTELS SHALL BE HOT-DIPPED GALVANIZED.

**CUS**

CONSTRUCTION  
 ARCHITECTURE  
 STRUCTURE  
 MECHANICAL  
 ELECTRICAL  
 PLUMBING  
 INTERIORS

454 Northford Street  
 Portland, ME 04101  
 Phone (203) 771-4141  
 Fax (203) 771-4111  
 www.cusinc.com

Owner:  
**YC PORTLAND LP.**  
 FLOORING GROUP  
 PORTLAND, MINE SHAFT  
 BLDG

Architect:  
**YORK-CUMBERLAND**  
 HOLDING DEVELOPMENT

**LOGAN PLACE**  
 PORTLAND, ME

Project No. 230

Working Title  
**FRAMING SECTIONS AND DETAILS**

Scale: 3/4" = 1'-0"  
 Date: FEBRUARY 6, 2004

Revisions:  
 ▲  
 ▲  
 ▲  
 ▲  
 ▲

Drawn by:  
**S3.2**