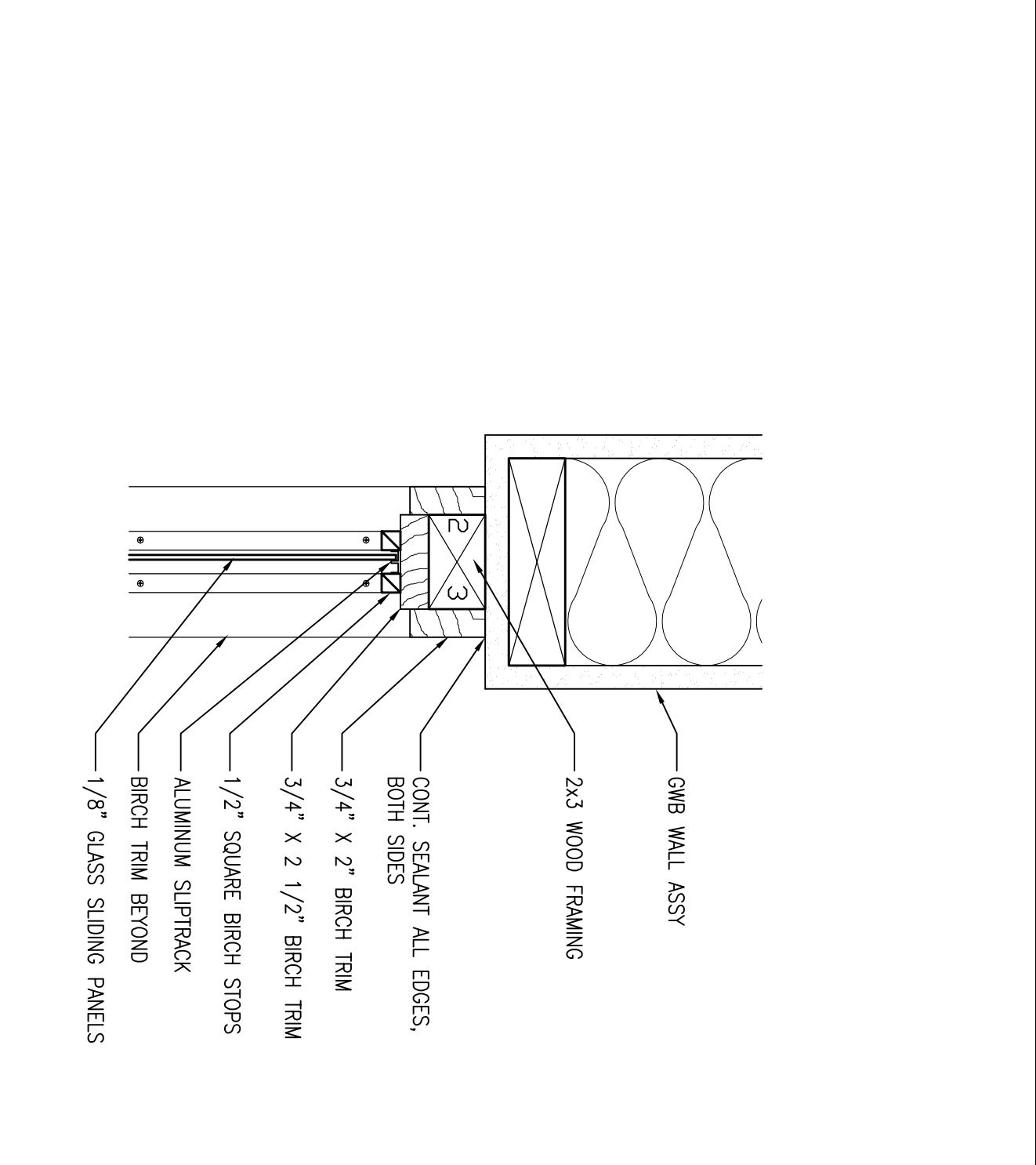
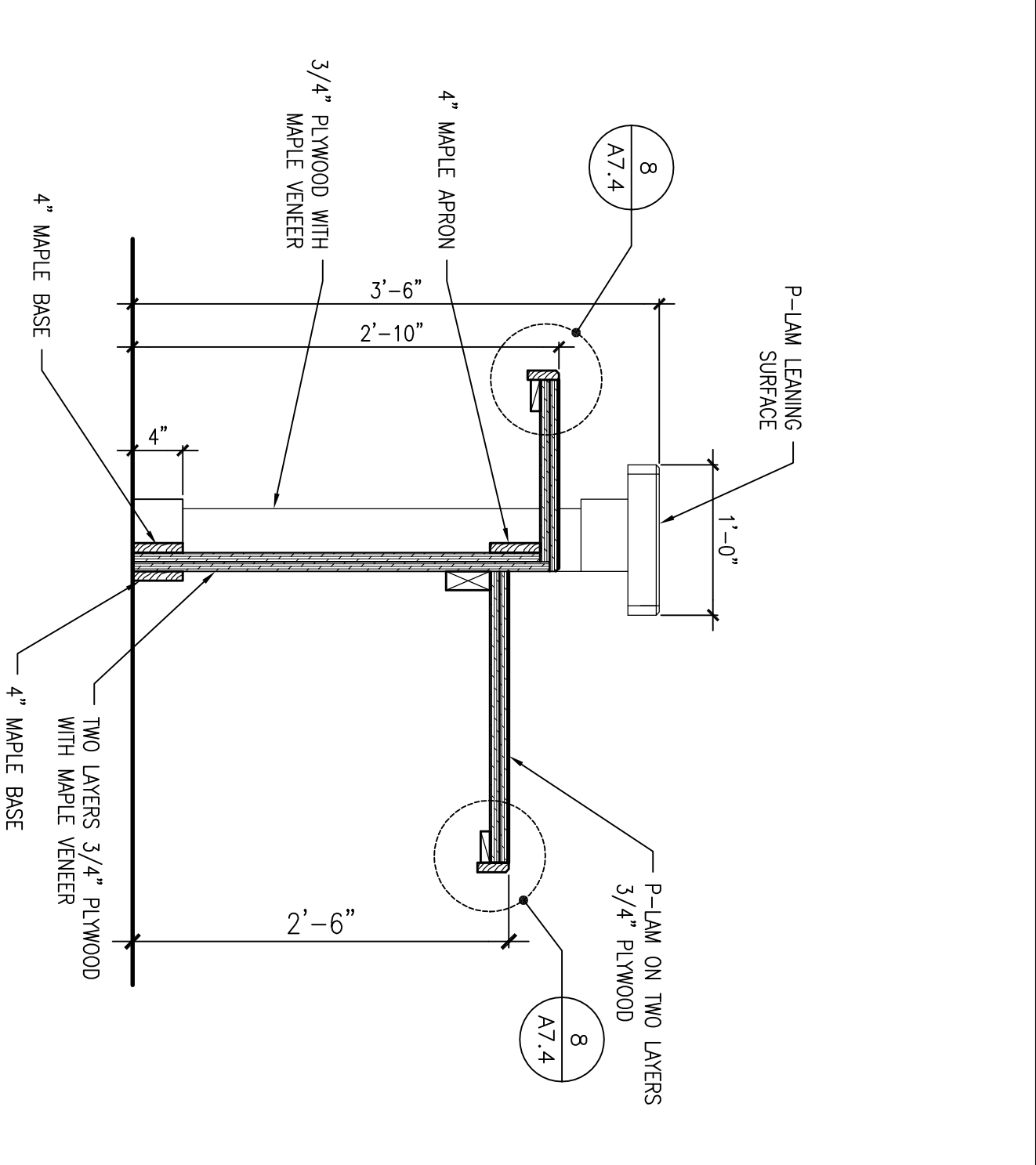


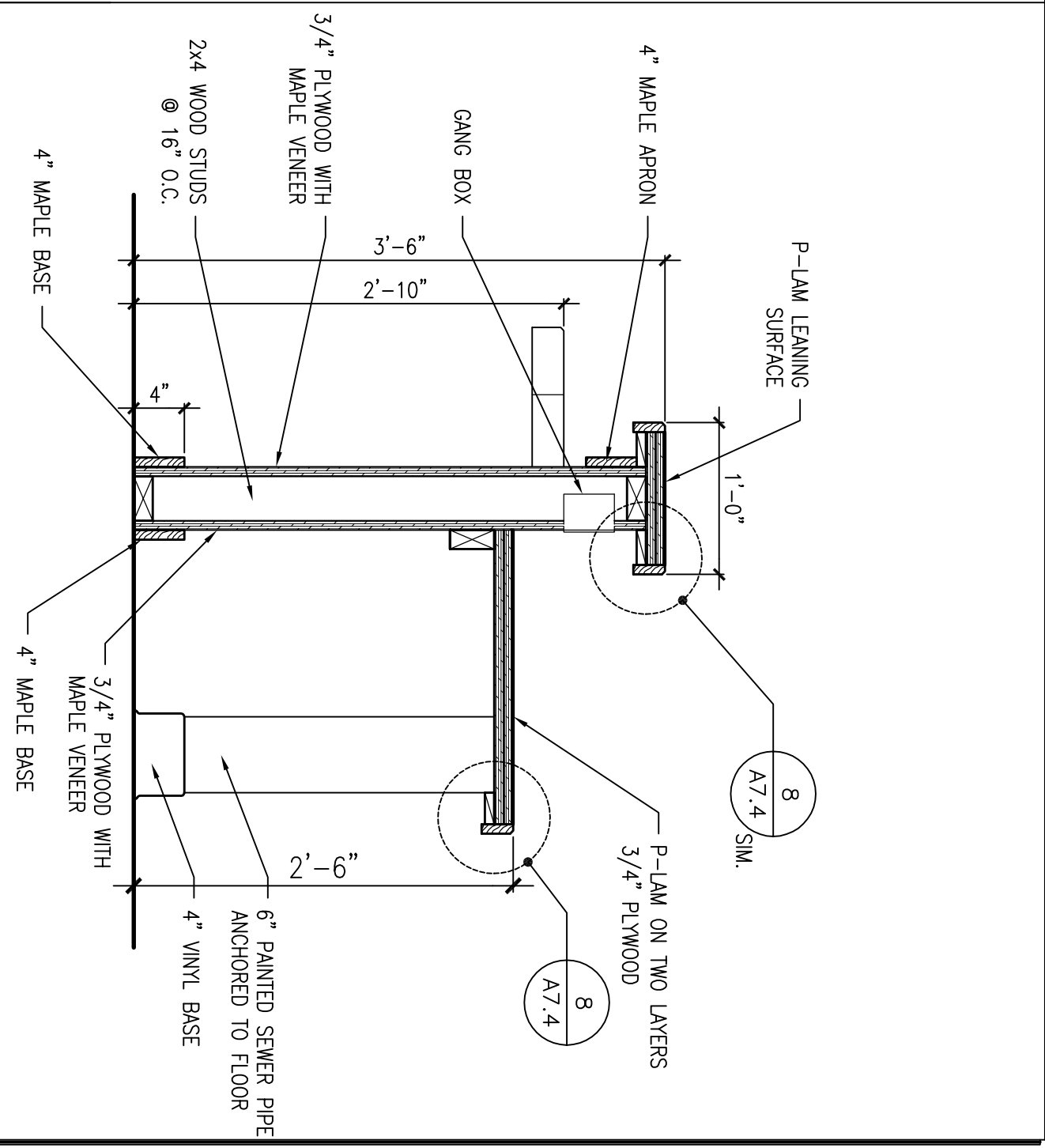
**1** DETAIL @ TYP. GUARDRAIL W/ HANDRAIL  
SCALE: 1/2" = 1'-0"



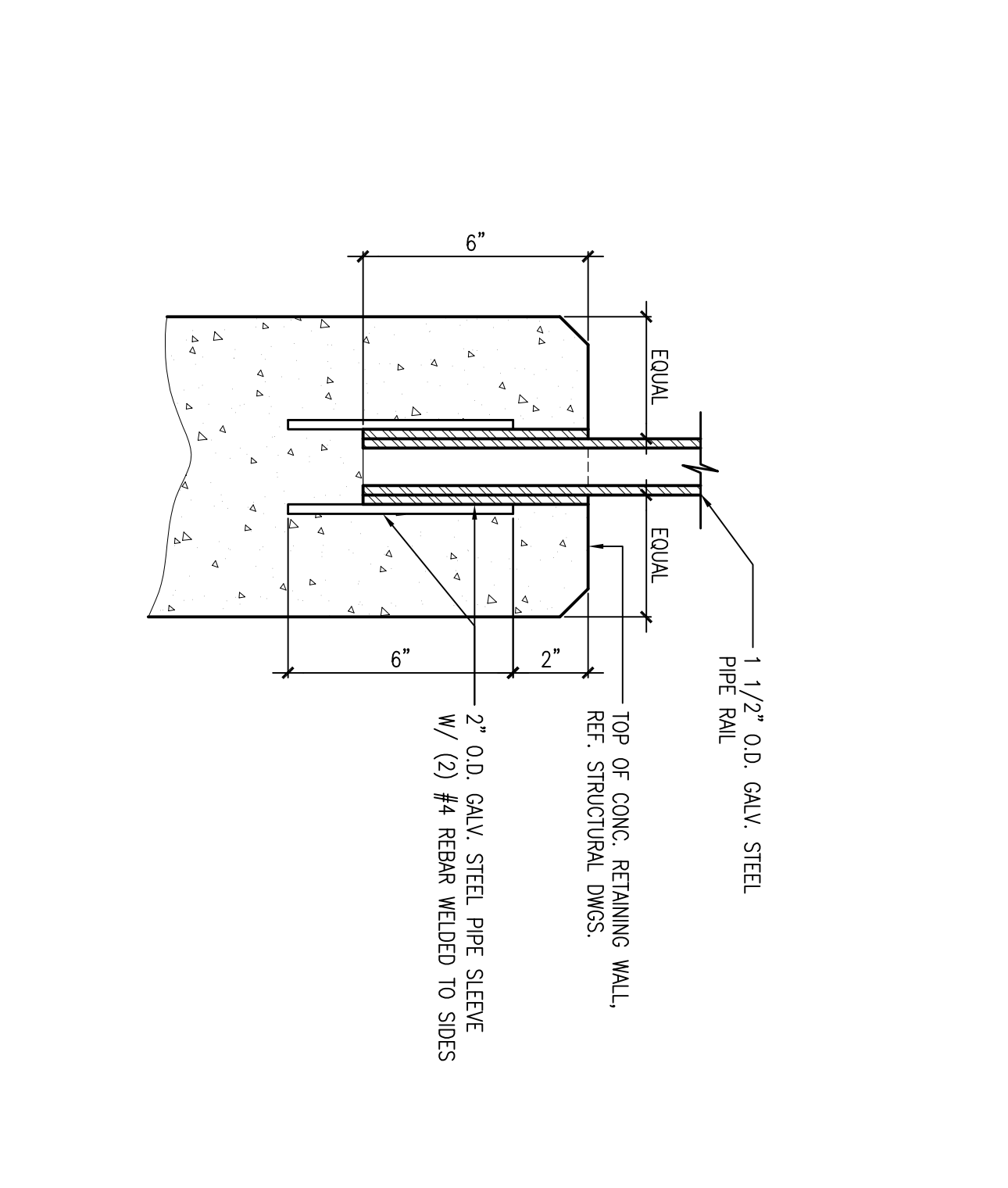
**2** HEAD DETAIL @ SLIDING WINDOW  
SCALE: 5" = 1'-0"



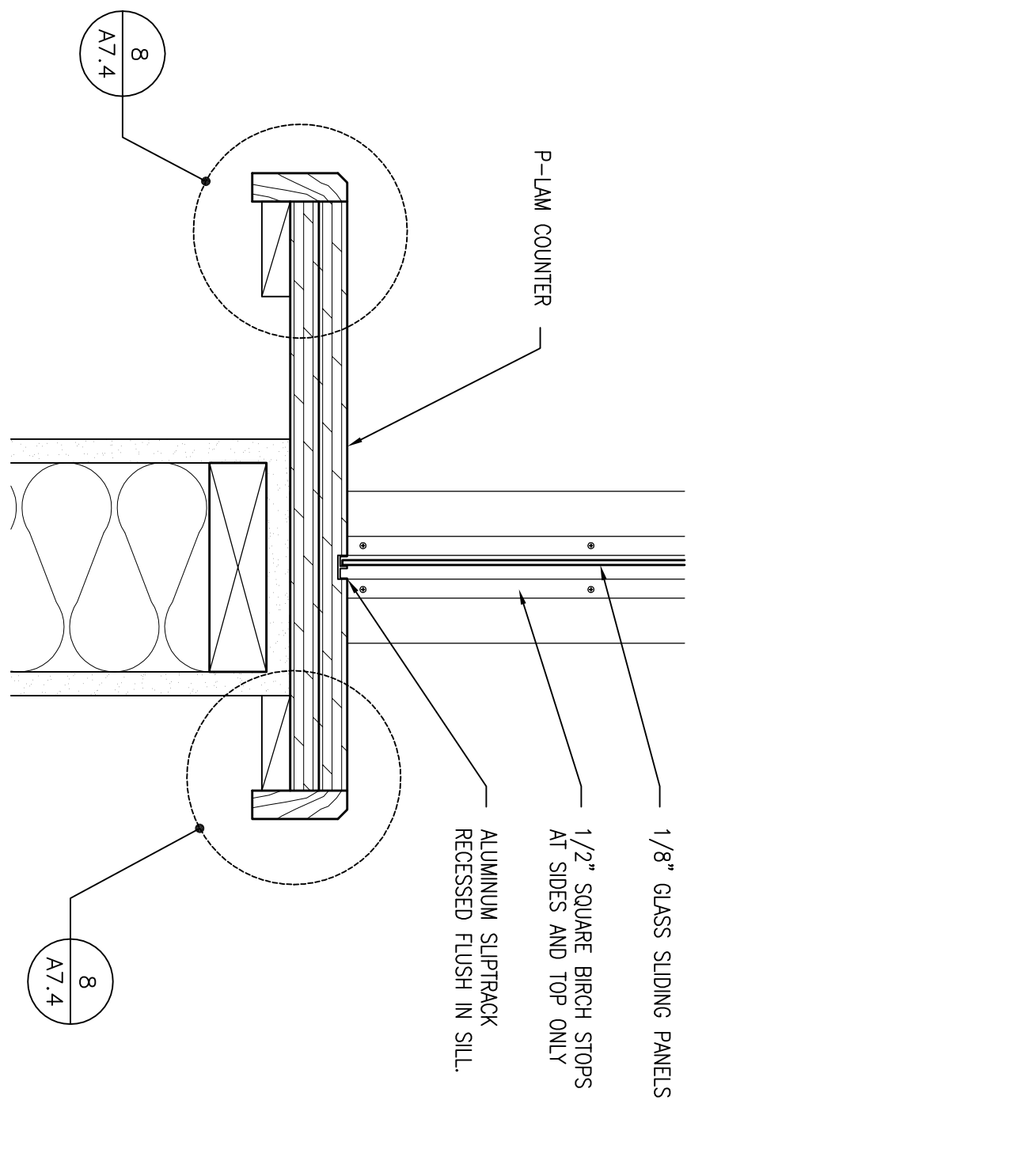
**3** SECTION @ CHECK-IN (106)  
SCALE: 1" = 1'-0"



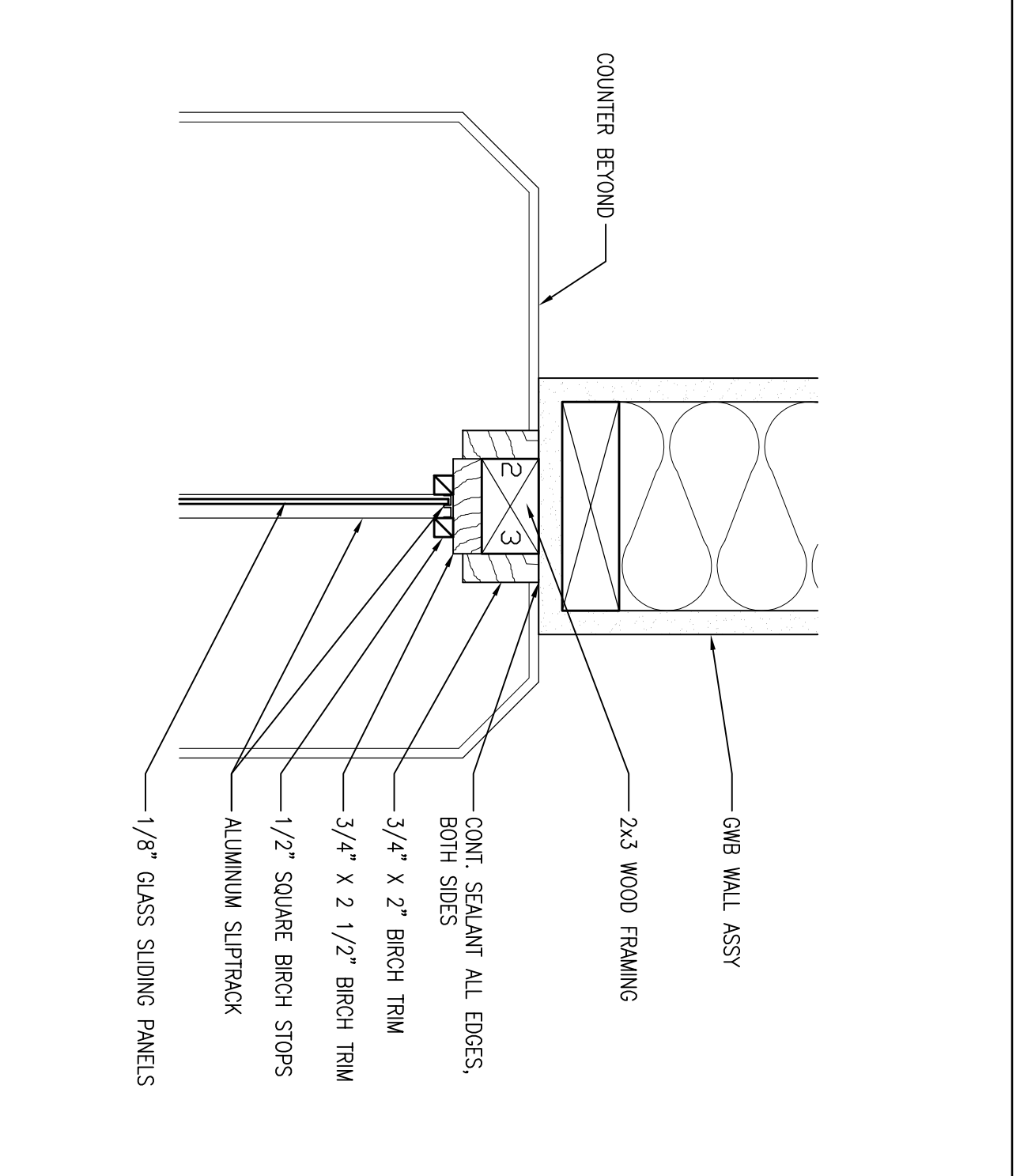
**4** SECTION @ CHECK-IN (106)  
SCALE: 1" = 1'-0"



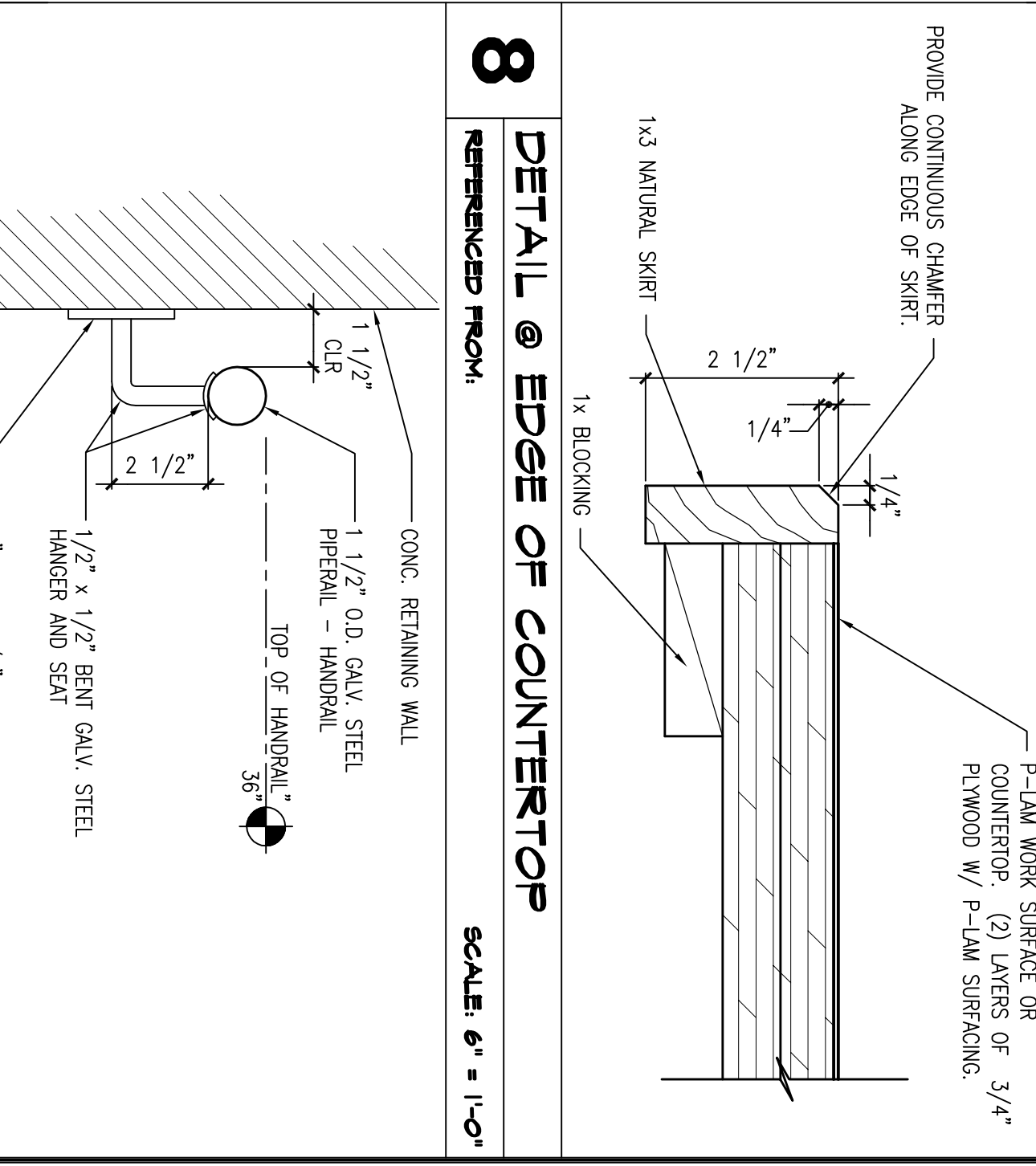
**5** DETAIL @ TYP. PIPE SLEEVE  
SCALE: 5" = 1'-0"



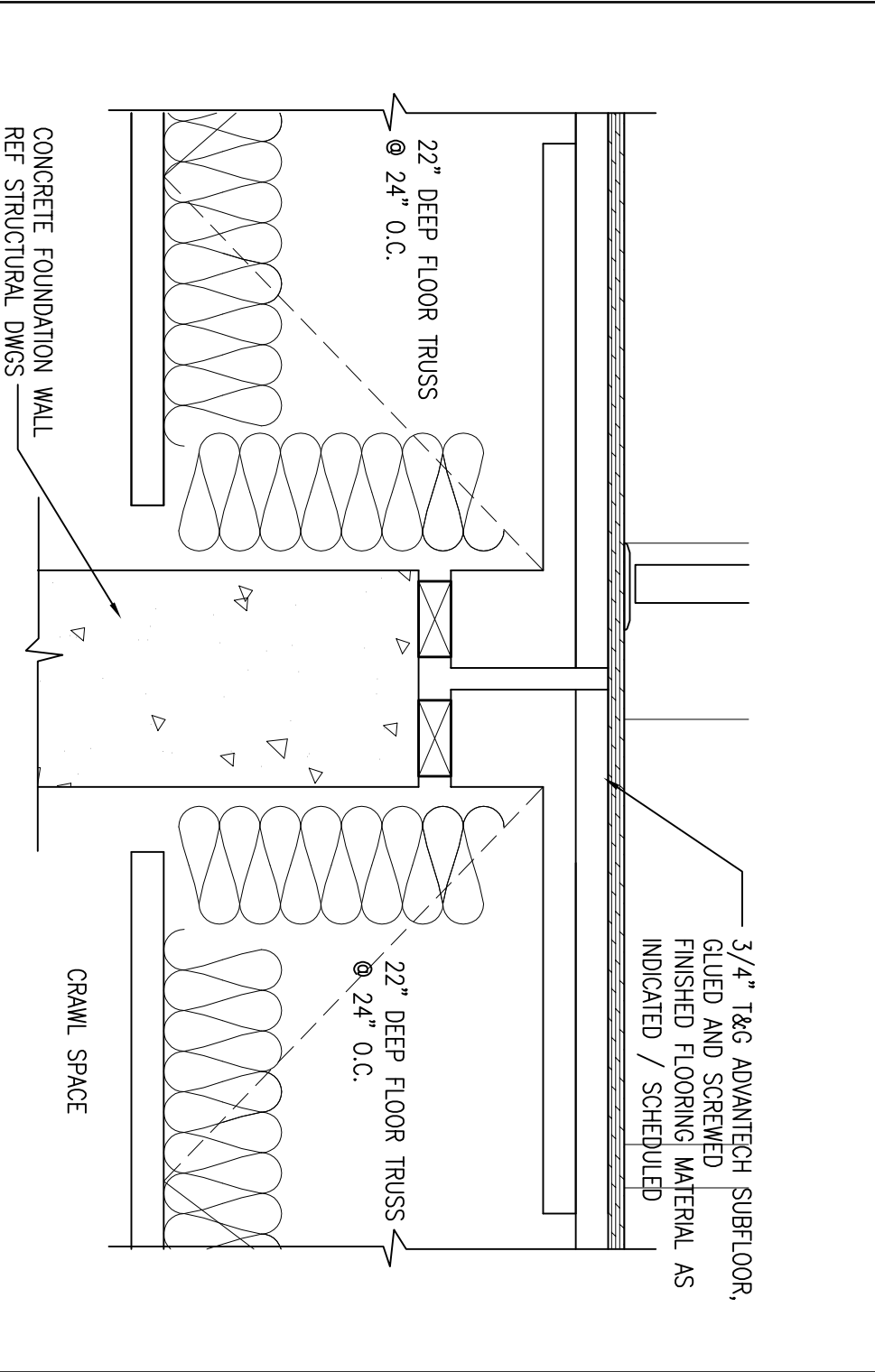
**6** SILL DETAIL @ SLIDING WINDOW  
SCALE: 5" = 1'-0"



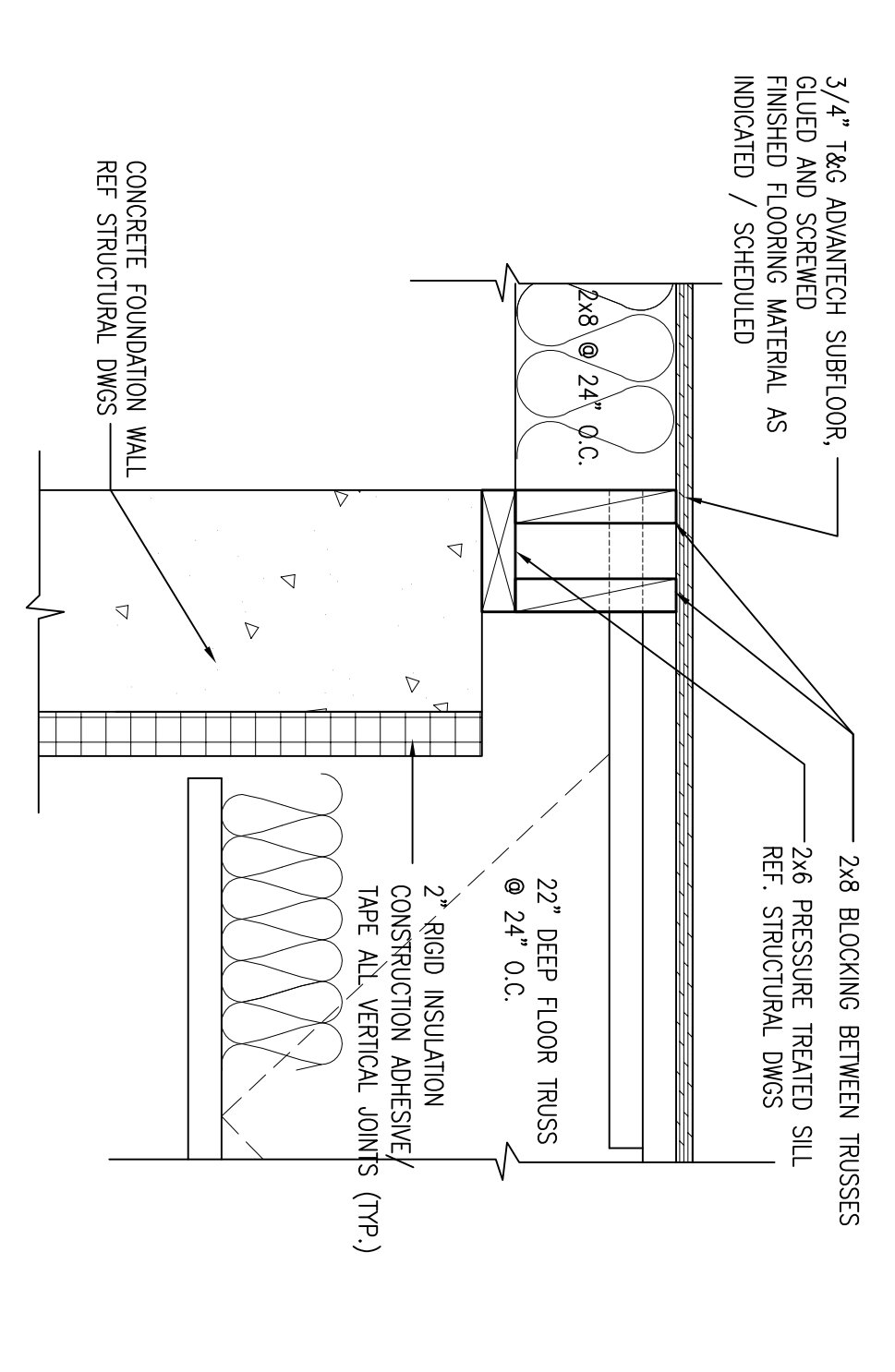
**7** JAMB DETAIL @ SLIDING WINDOW  
SCALE: 5" = 1'-0"



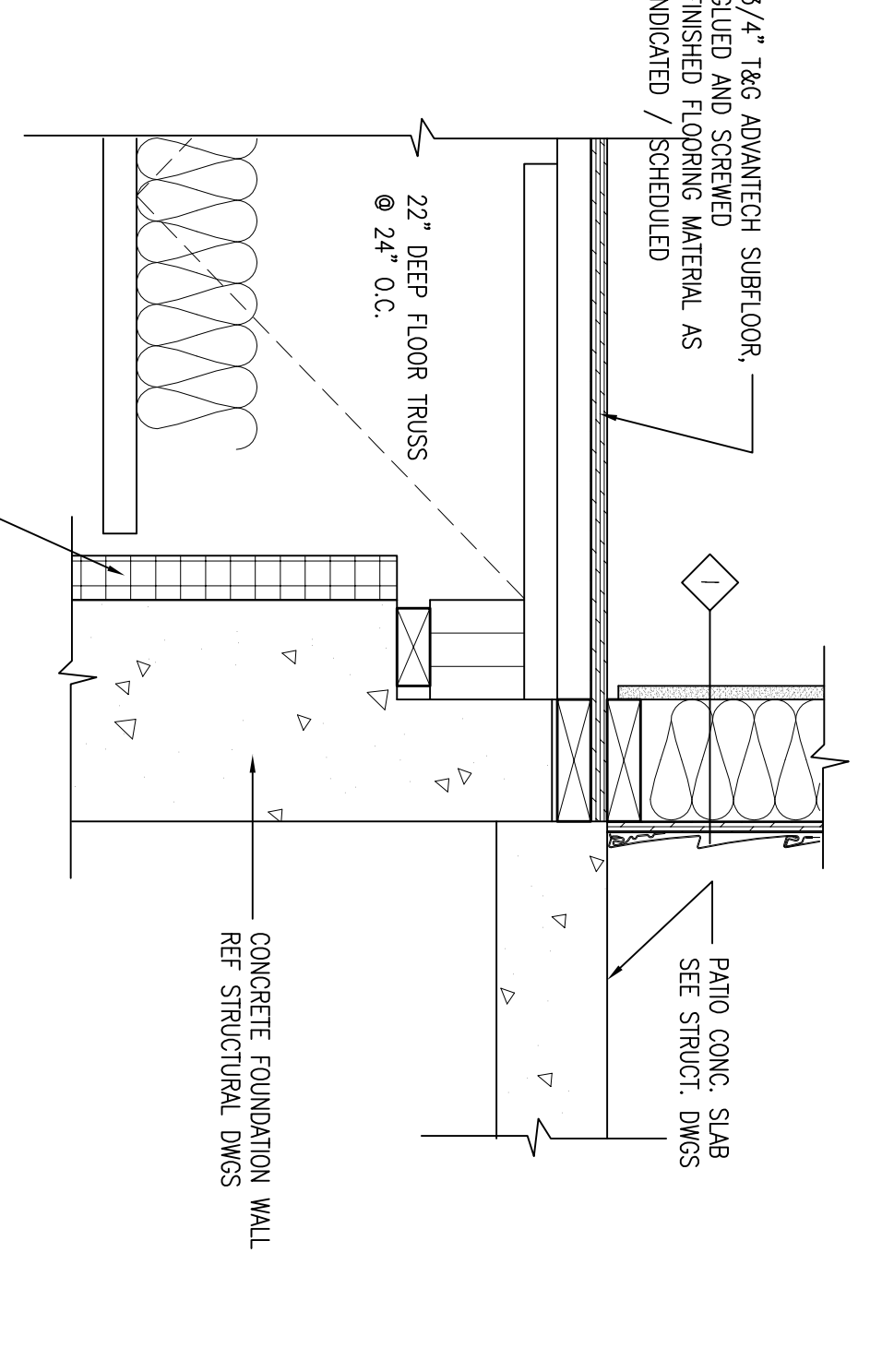
**8** DETAIL @ EDGE OF COUNTERTOP  
SCALE: 6" = 1'-0"



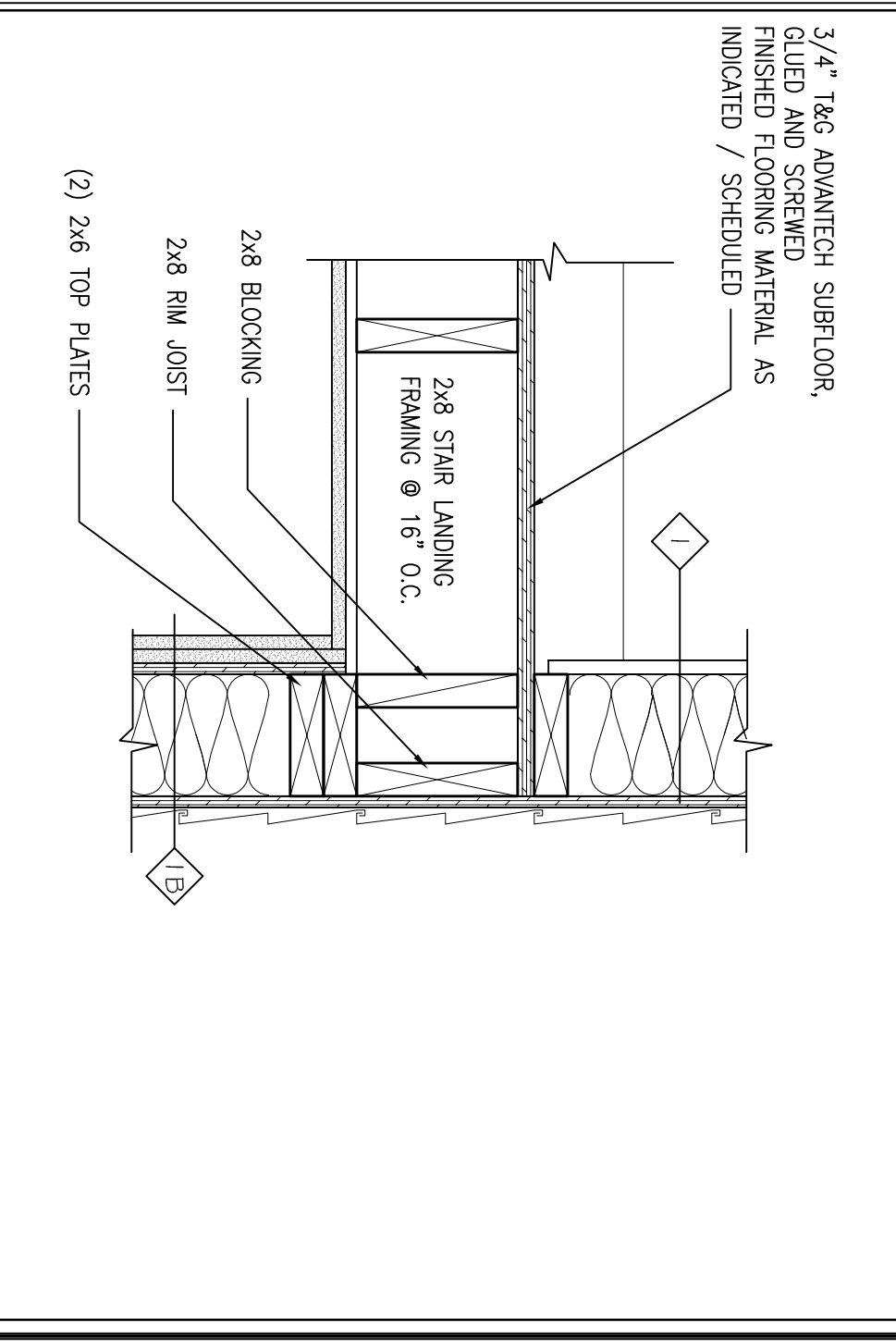
**10** DETAIL  
SCALE: 1/2" = 1'-0"



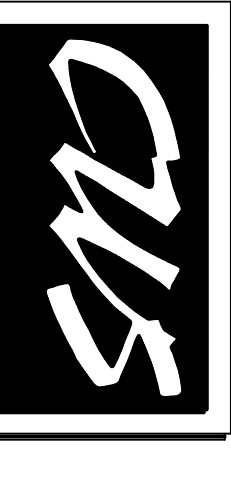
**11** DETAIL  
SCALE: 1/2" = 1'-0"



**12** DETAIL  
SCALE: 1/2" = 1'-0"



**13** DETAIL  
SCALE: 1/2" = 1'-0"



**CWS Architects**  
Architect  
Space Planning  
Value Design

134 Cambridge Avenue  
Portland, ME 04101  
Phone: (207) 774-4441  
Fax: (207) 774-6018  
[www.CWSarch.com](http://www.CWSarch.com)

Director  
**YC PORTLAND LP.**  
C/O AVESTA  
307 CUMBERLAND AVE.  
PORTLAND, MAINE 04101  
(207) 553-7777

Client  
**YORK-CUMBERLAND**  
HOUSING DEVELOPMENT

**LOGAN PLACE**  
PORTLAND, MAINE

Project No: 01-09-380  
Drawing Title: DETAILS

Scale: AS NOTED  
Date: JANUARY 14, 2004  
Revisions:

Drawing Number:  
**A7.4**