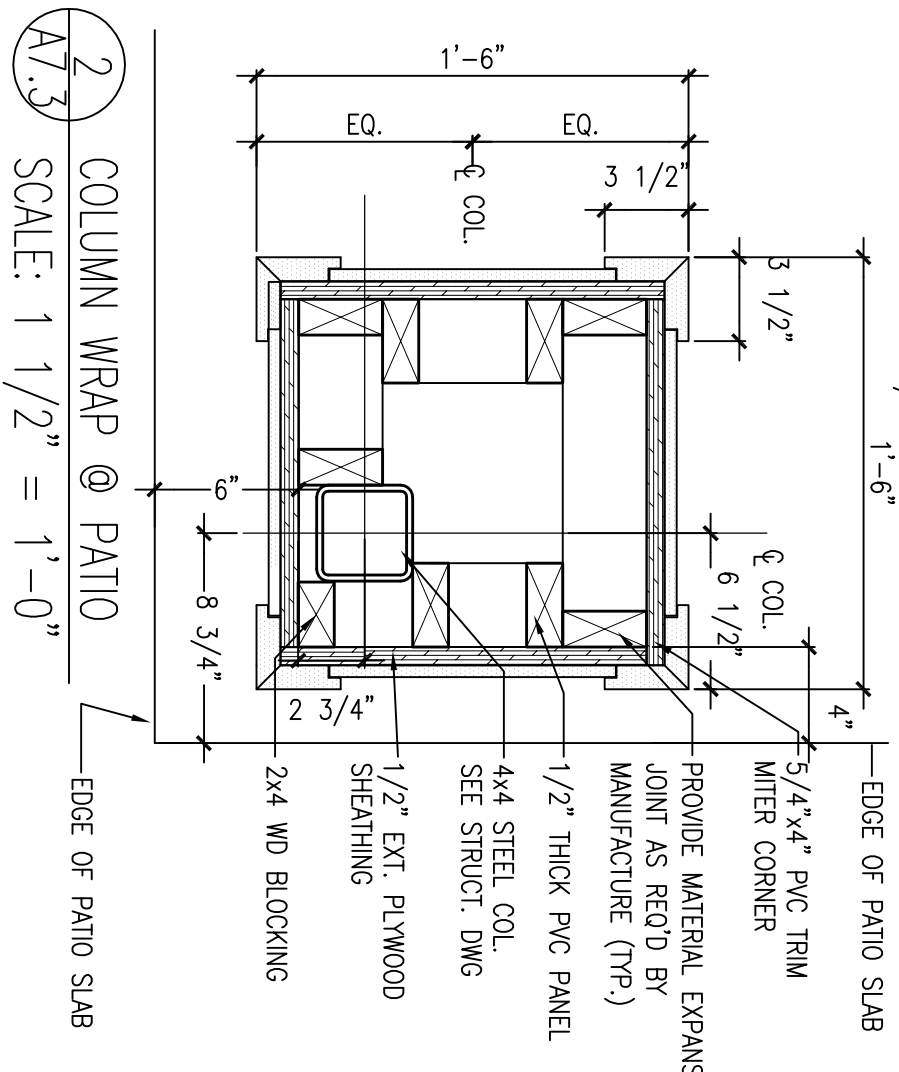
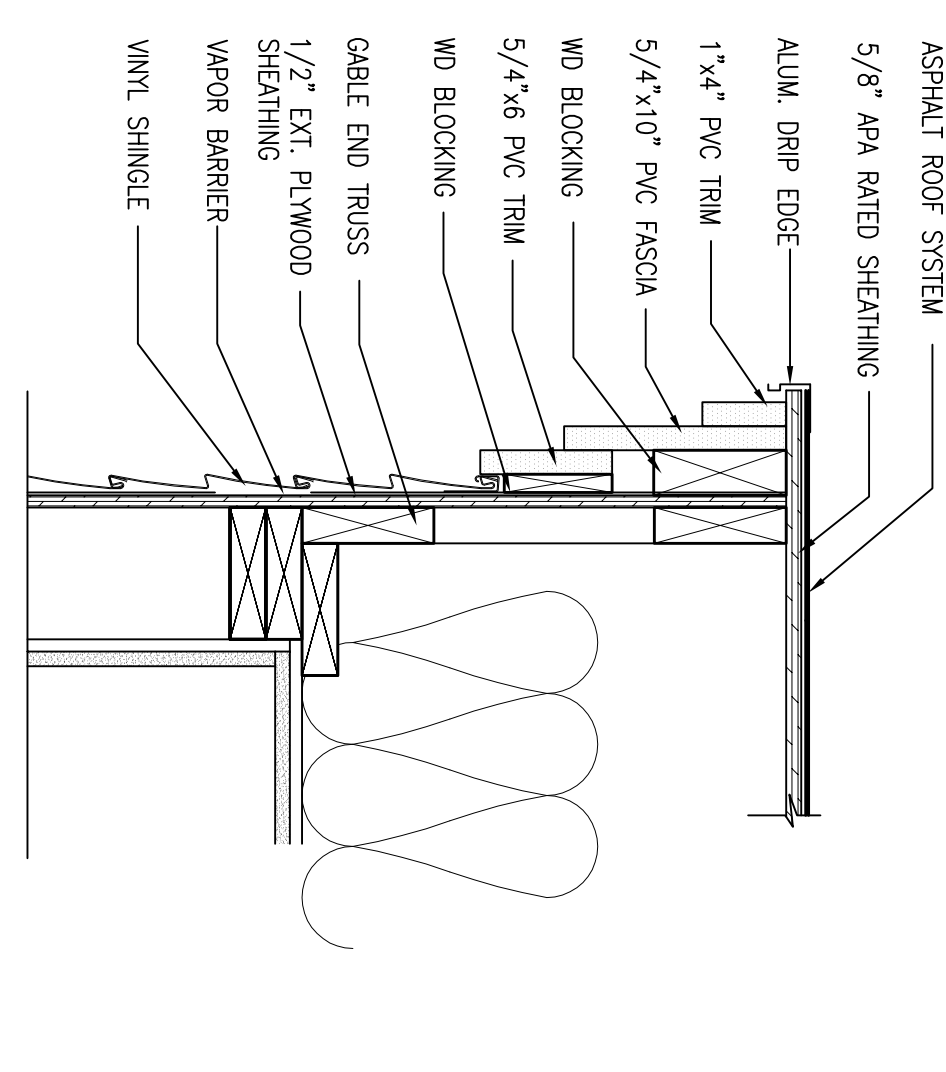


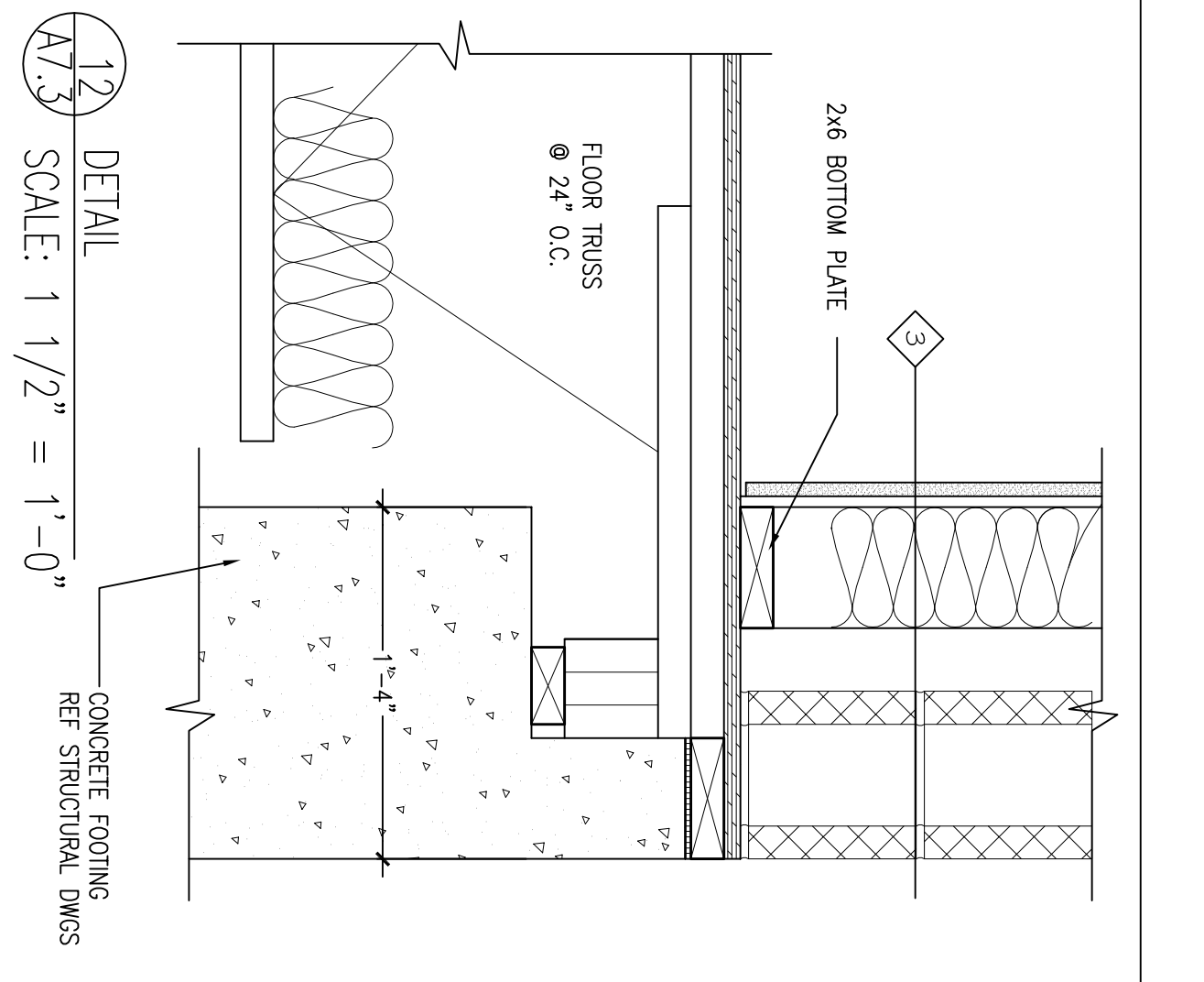
1  
COLUMN WRAP @ FRONT ENTRY  
SCALE: 1 1/2" = 1'-0"



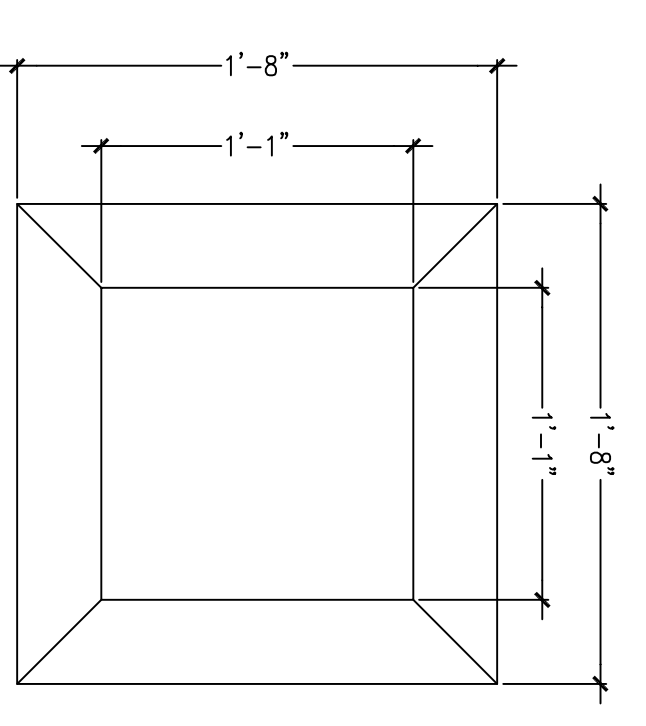
2  
COLUMN WRAP @ PATIO  
SCALE: 1 1/2" = 1'-0"



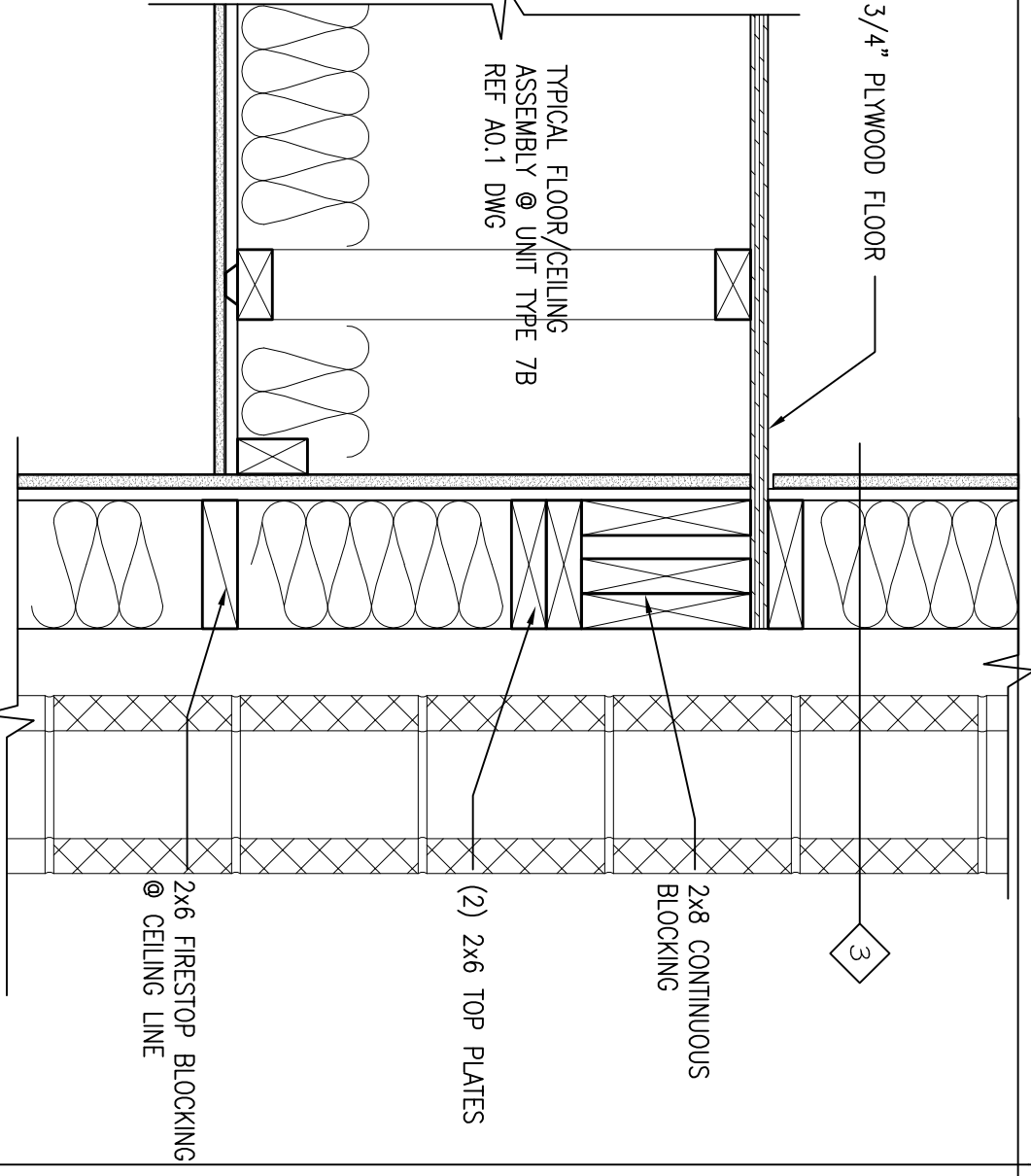
7  
RAKE DETAIL  
SCALE: 1 1/2" = 1'-0"



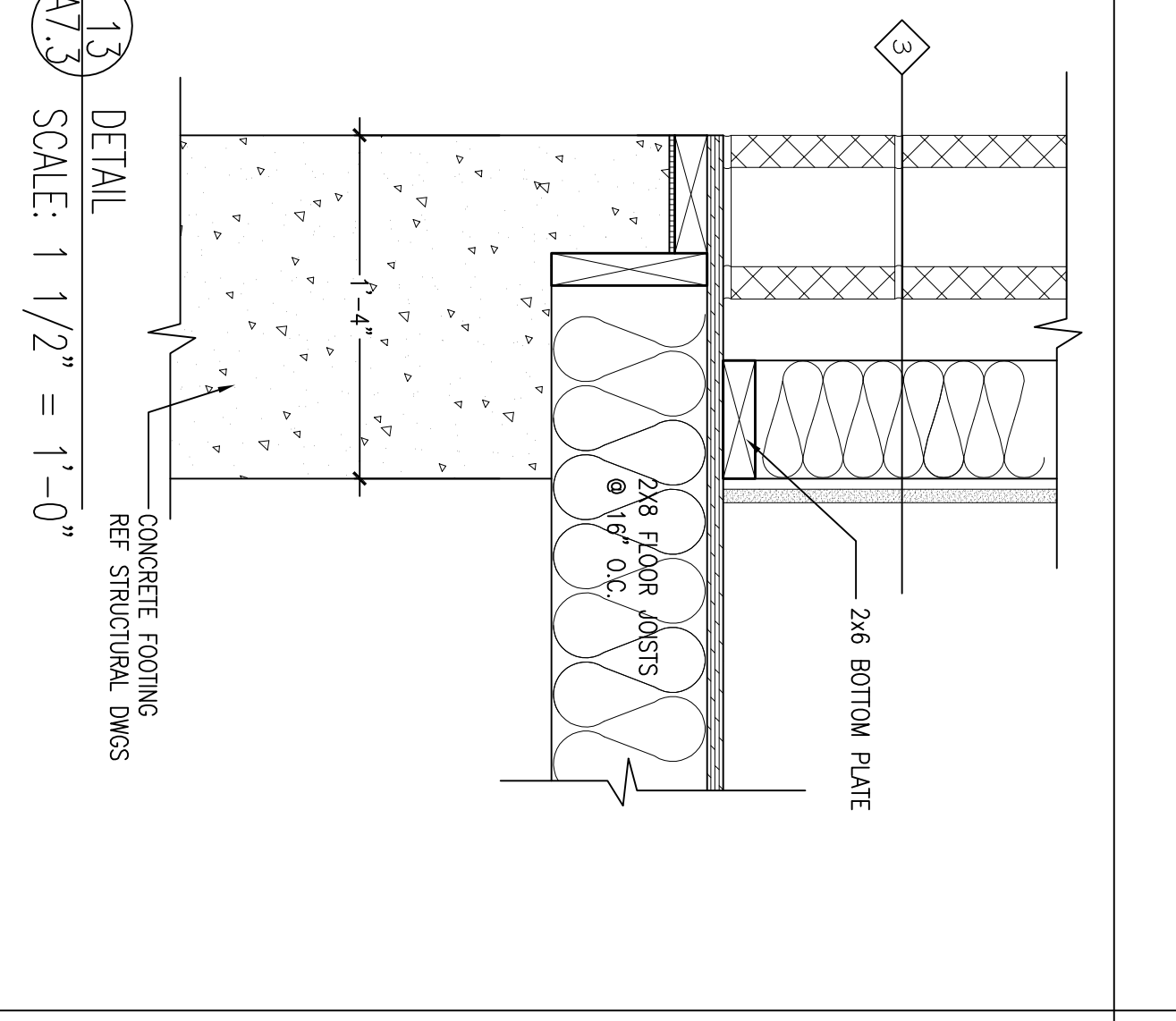
12  
DETAIL  
SCALE: 1 1/2" = 1'-0"



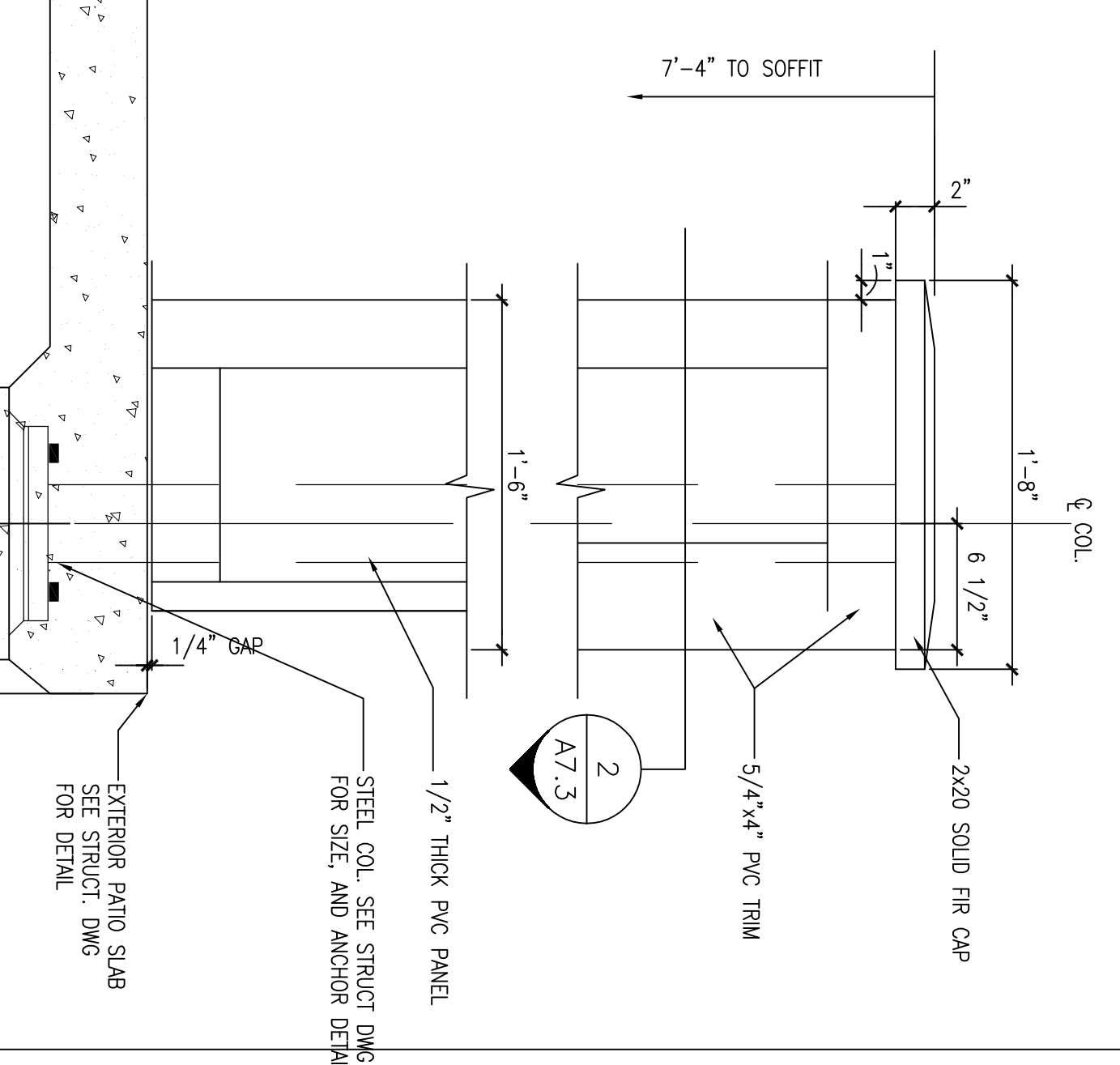
15  
FIR CAP DETAIL  
SCALE: 1 1/2" = 1'-0"



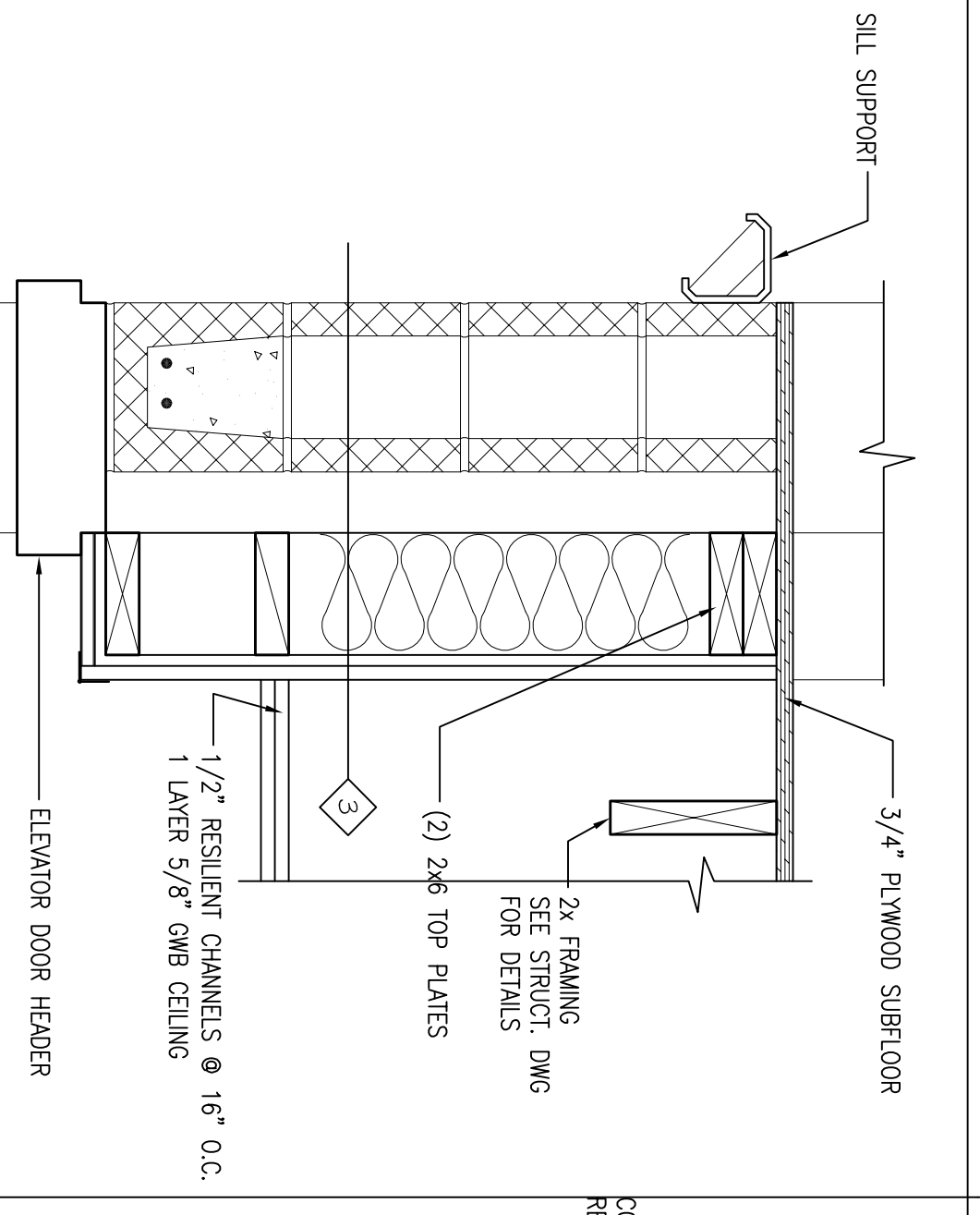
8  
DETAIL @ ELEVATOR WALL  
SCALE: 1 1/2" = 1'-0"



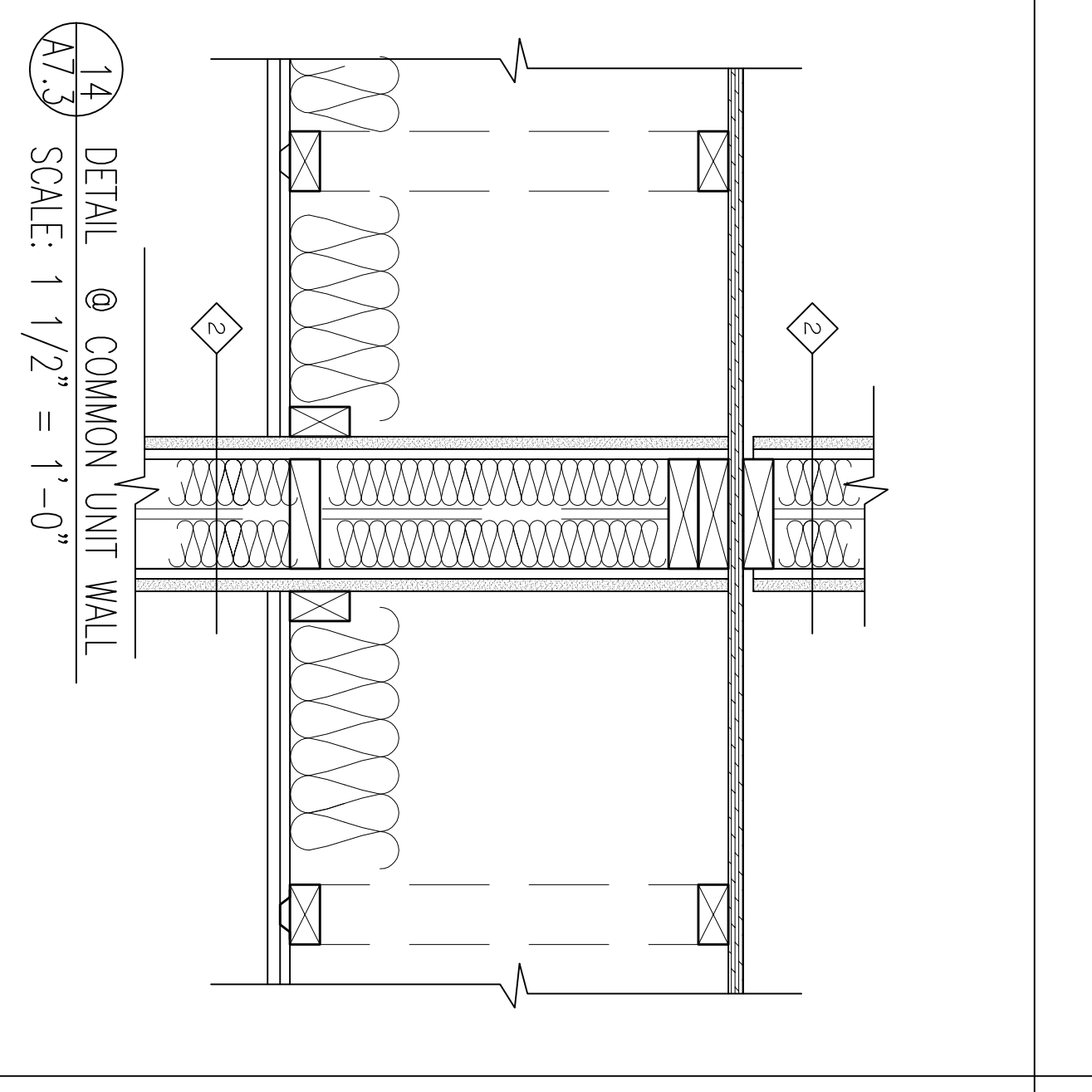
13  
DETAIL  
SCALE: 1 1/2" = 1'-0"



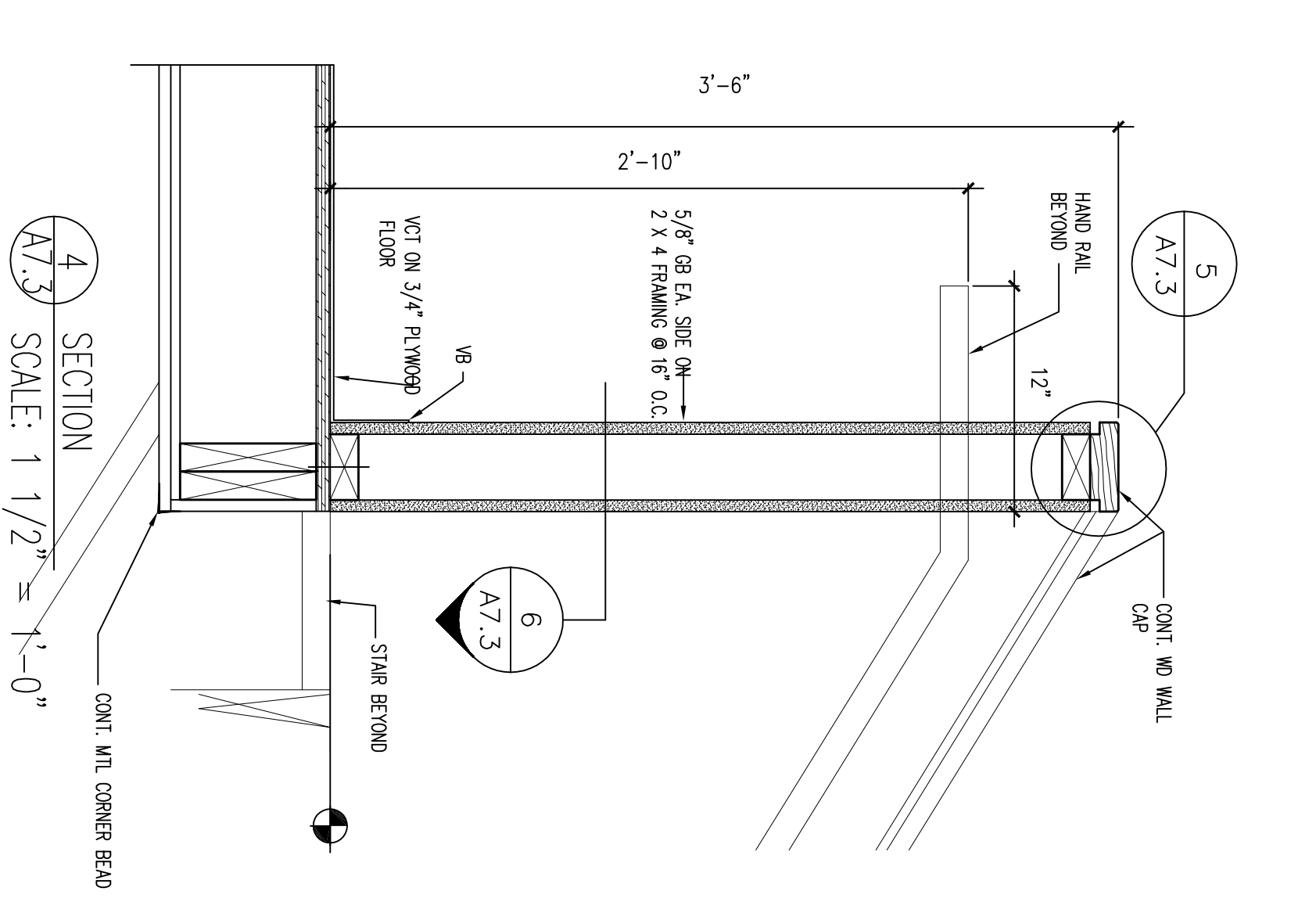
3  
COLUMN ELEVATION/SECTION  
SCALE: 1 1/2" = 1'-0"



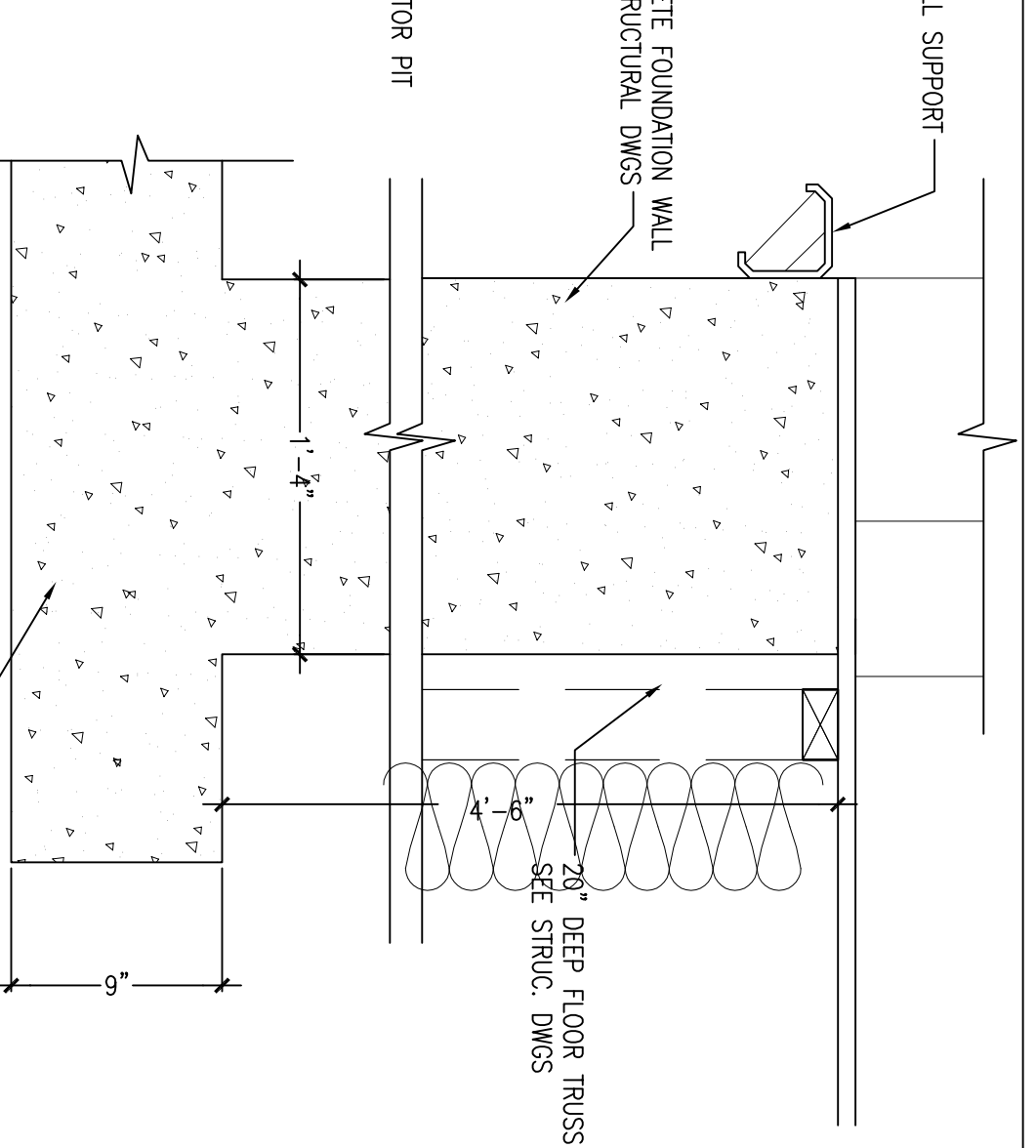
9  
ELEVATOR HEAD DETAIL  
SCALE: 1 1/2" = 1'-0"



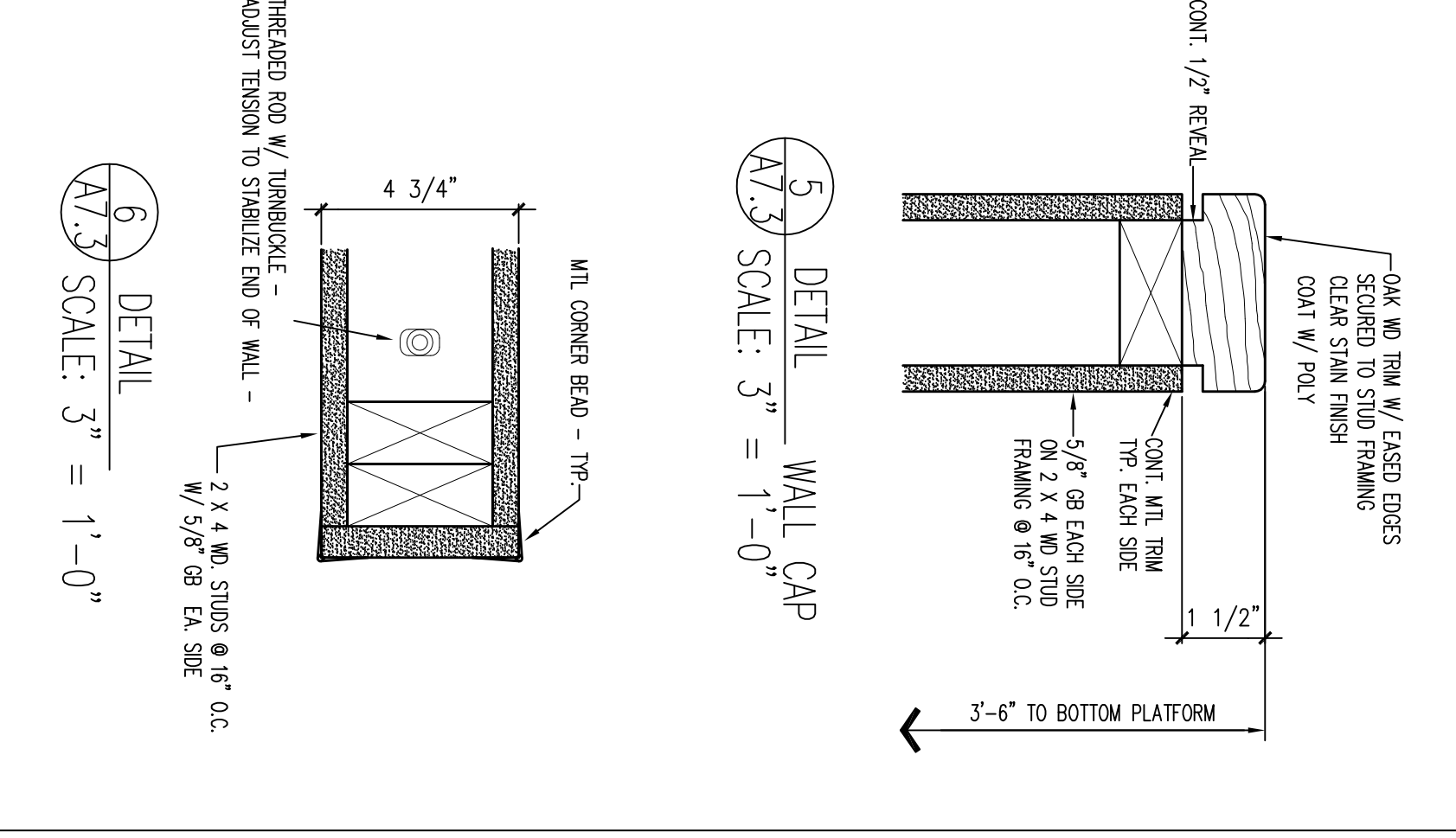
14  
DETAIL @ COMMON UNIT WALL  
SCALE: 1 1/2" = 1'-0"



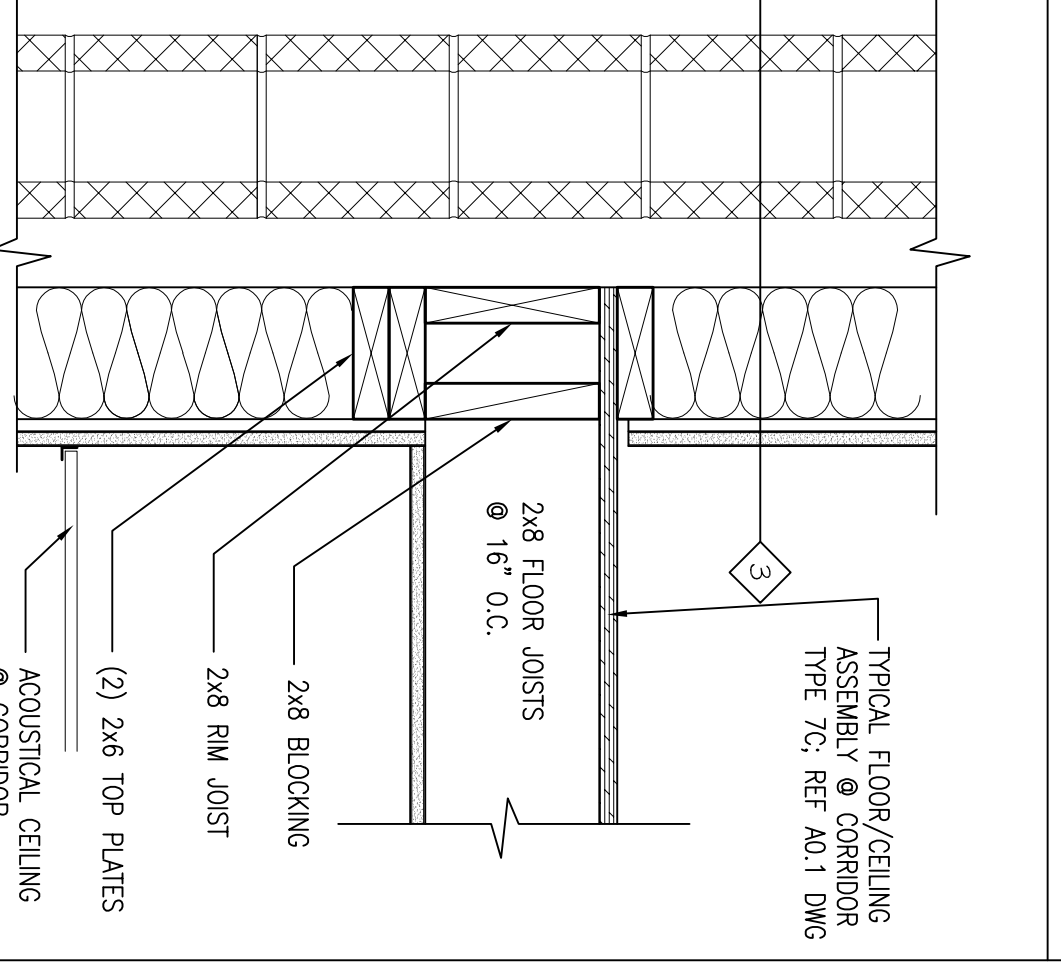
5  
SECTION  
SCALE: 1 1/2" = 1'-0"



10  
ELEVATOR SILL DETAIL  
SCALE: 1 1/2" = 1'-0"



6  
DETAIL  
SCALE: 3" = 1'-0"



11  
DETAIL @ ELEVATOR WALL/ CORRIDOR  
SCALE: 1 1/2" = 1'-0"



**CWS Architects**  
Architect  
Space Planning  
Value Design

434 Cumberland Avenue  
Portland, ME 04101  
Phone: (207)774-4441  
Fax: (207)774-4018  
[www.CWSArch.com](http://www.CWSArch.com)

Client:  
**YC PORTLAND LP.**  
C/O AVESTA  
307 CUMBERLAND AVE.  
PORTLAND, MAINE 04101  
(207) 553-7777

**YORK-CUMBERLAND**  
HOUSING DEVELOPMENT

**LOGAN PLACE**  
PORTLAND, MAINE

Drawing Title:  
**DETAILS**

Project No: 01.409.380  
Date: JANUARY 14, 2004  
Scale: AS NOTED

Revisions:  
Drawing Number:  
**A7.3**