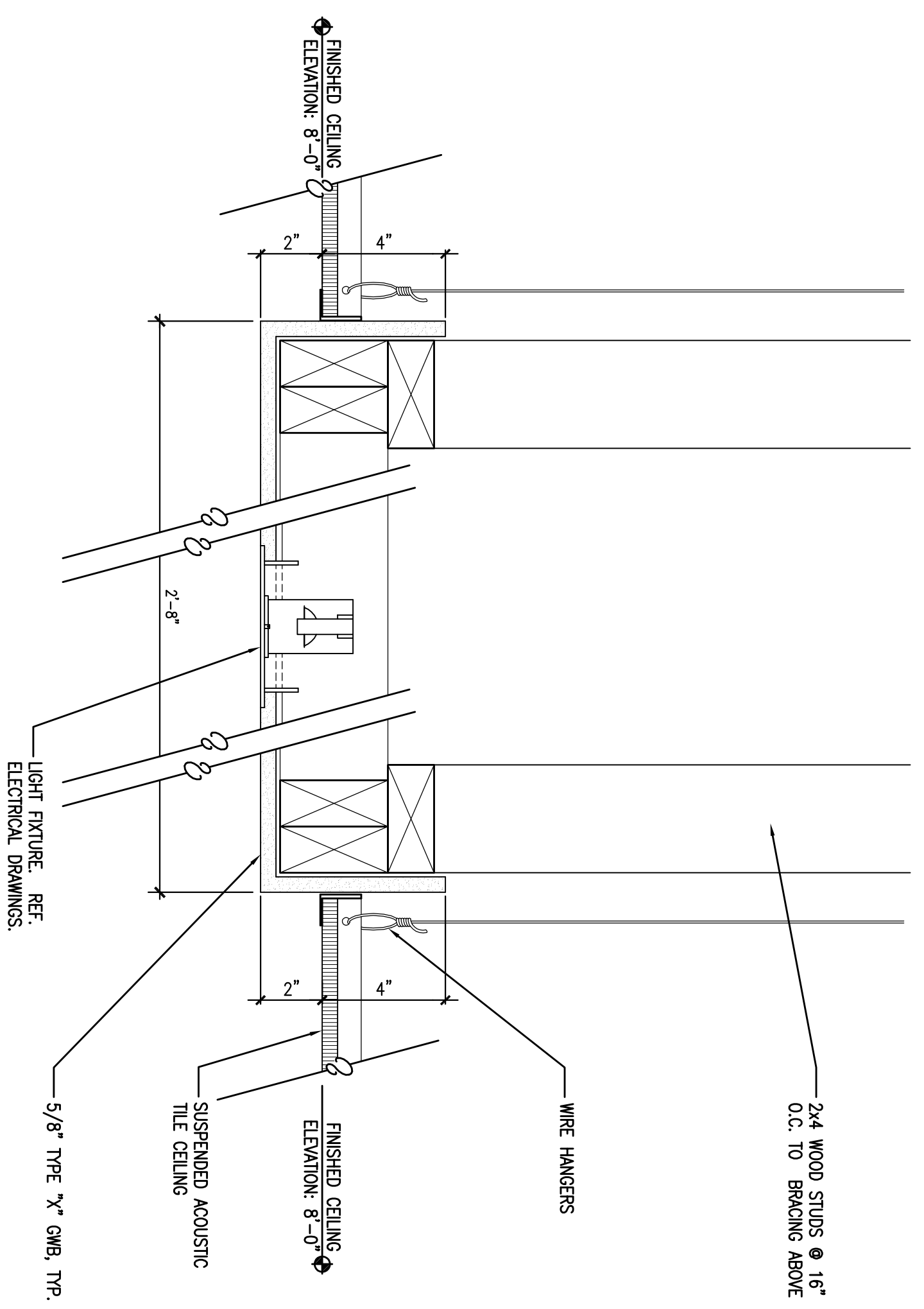
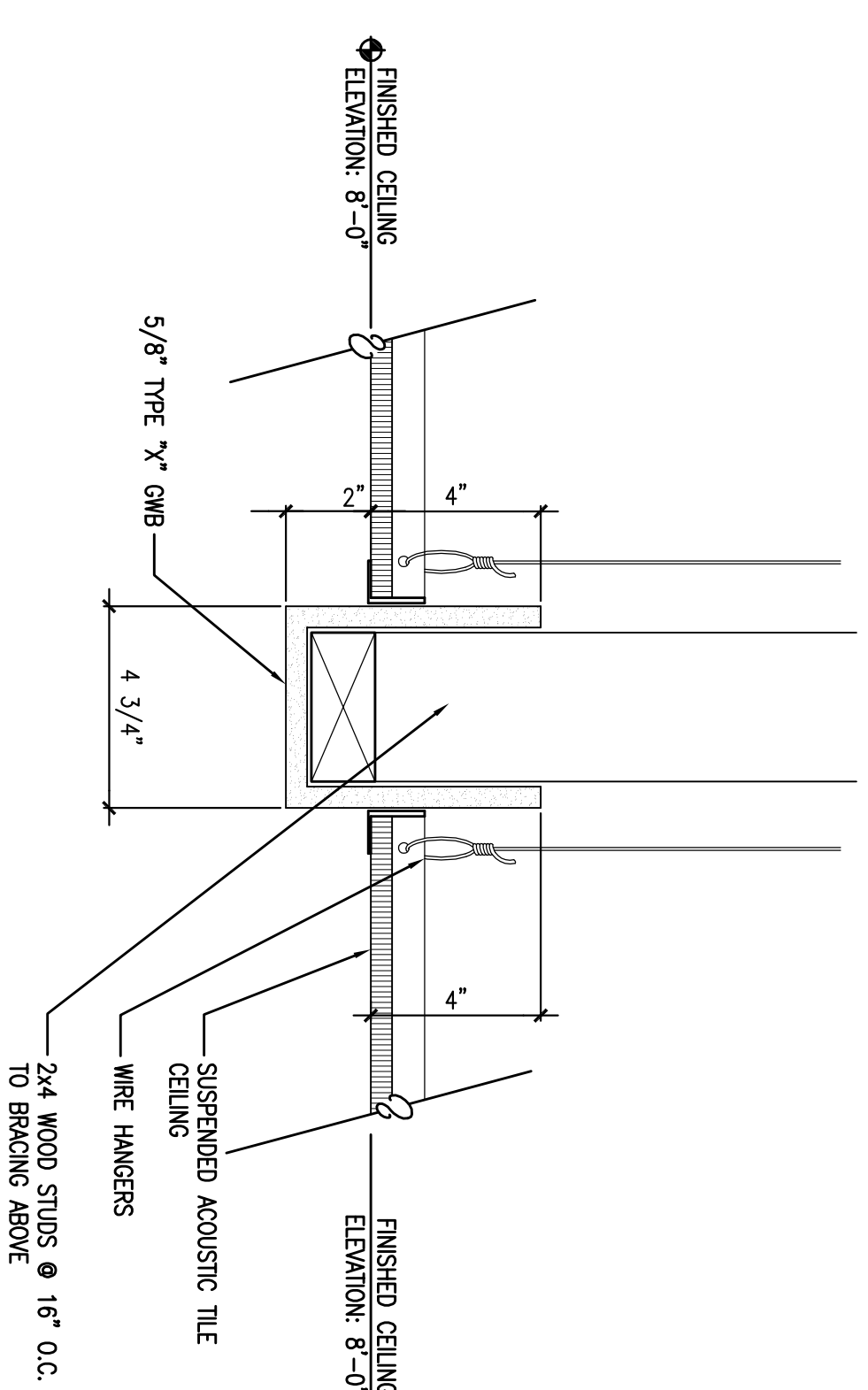


THIRD FLOOR REFLECTED CEILING PLAN
SCALE: 1/4" = 1'-0"

NOTE:
SEE ELECTRICAL DRAWINGS FOR
LIGHTING FIXTURE LAYOUT,
COORDINABLE IN FIELD.



1
CEILING SOFFIT DETAIL
SCALE: 3" = 1'-0"
A2.2



2
CEILING SOFFIT DETAIL
SCALE: 3" = 1'-0"
A2.2

CWS

CWS Architects

Architecture
Space Planning
Value Design

134 Cambridge Avenue
Portland, ME 04101
Phone: (207)774-4441
Fax: (207)774-4018
www.CWSarch.com

Client
YC PORTLAND LP.
C/O AVESTA
307 CUMBERLAND AVE.
PORTLAND, MAINE 04101
(207) 553-7777

Client
YORK-CUMBERLAND
HOUSING DEVELOPMENT

LOGAN PLACE
PORTLAND, MAINE

Project No: 01.409 SR0
Drawing Title:
3RD FLOOR REFLECTED CEILING PLAN AND DETAILS

Scale: AS NOTED
Date: JANUARY 14, 2004
Revisions:

▲
▲
▲
▲
▲

Drawing Number:

A2.2