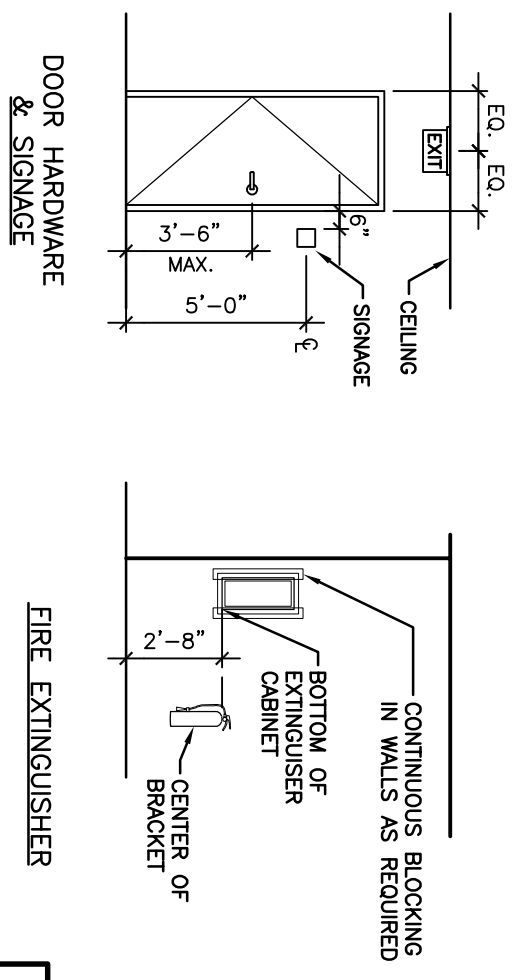


NOTE:
NOT ALL ITEMS ARE APPLICABLE TO CURRENT PROJECT. FIXTURES AND DEVICES ARE DRAWN DIAGRAMATIC FOR DIMENSIONAL PURPOSES ONLY. THEY MAY NOT REPRESENT THE ACTUAL ITEMS TO BE USED IN THIS PROJECT.



A1	MOUNTING HEIGHTS
N.T.S.	N.T.S.

<p>ISSUED FOR PRICING 6-24-09</p>	<p>SMRT</p> <p>MERCY HOSPITAL FORE RIVER MOB LAB PORTLAND, MAINE</p>	<p>ARCHITECTURE ENGINEERING PLANNING INTERIOR DESIGN COMMISSIONING</p> <p>144 Fore Street/P.O. Box 618 Portland, Maine 04104 tel. (207) 772-3846 fax. (207) 772-1070 www.smrinc.com</p>												
<p>SCALE: AS NOTED</p> <p>PROJECT MANAGER: GDP</p> <p>JC/DRAWN BY: CAH</p> <p>A/E OF RECORD: GDP</p> <p>CAD FILE: G1003-09067-00</p> <p>PROJECT NO: 09067-00</p> <p>DATE:</p> <p>SHEET TITLE: GENERAL MOUNTING HEIGHTS</p> <p>SHEET No. G1003</p>	<p>CURRENT ISSUE STATUS:</p> <table border="1" style="width: 100%; border-collapse: collapse;"> <thead> <tr> <th>REV</th> <th>DESCRIPTION</th> <th>DATE</th> </tr> </thead> <tbody> <tr> <td> </td> <td> </td> <td> </td> </tr> <tr> <td> </td> <td> </td> <td> </td> </tr> <tr> <td> </td> <td> </td> <td> </td> </tr> </tbody> </table>	REV	DESCRIPTION	DATE										<p>© COPYRIGHT 2009 SMRT INC.</p>
REV	DESCRIPTION	DATE												