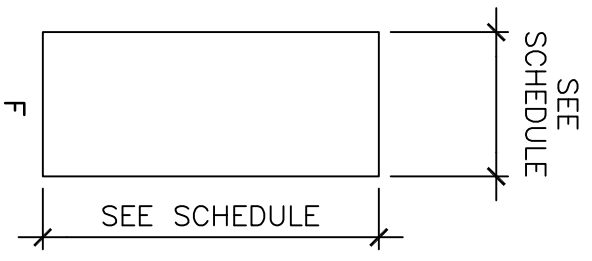


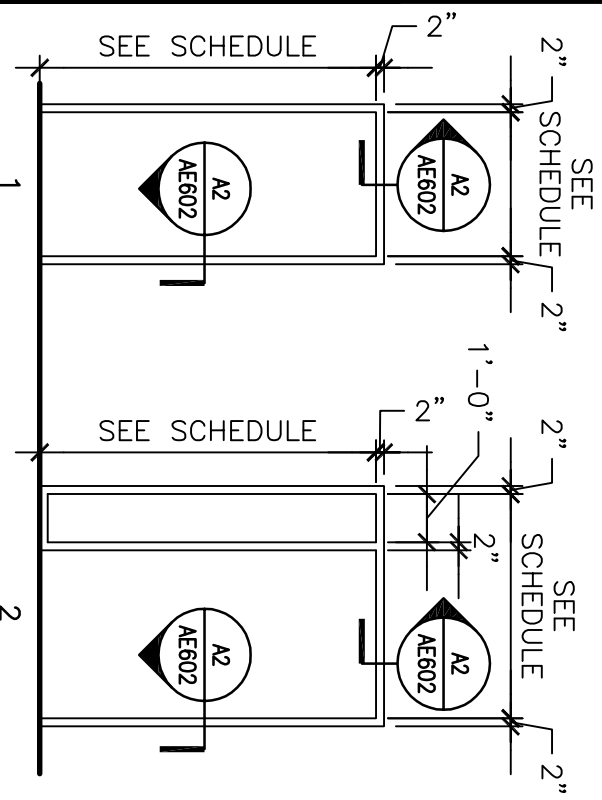
DOOR SCHEDULE									
DOOR TAG	DOOR SIZE	MATERIAL	ELEVATION	GLAZING	FRAME		FIRE RATING (MIN.)	DOOR TAG	REMARKS
					MATERIAL	ELEVATION			
1120B	3'-6"x7'-0"x1-3/4"	WOOD	F	-	HM	1	-	1120B	
1122	EXISTING	EXISTING	-	-	-	-	-	1122	NEW LATCH REQD.
1145A	3'-6"x7'-0"x1-3/4"	WOOD	F	-	HM	2	-	1145A	12" SIDE LIGHT
1145B (REL)	3'-0"x7'-0"x1-3/4"	WOOD	F	-	HM	1	-	1145B	RELOCATED
1146	3'-6"x7'-0"x1-3/4"	WOOD	F	-	HM	1	-	1146	



B1

DOOR TYPE

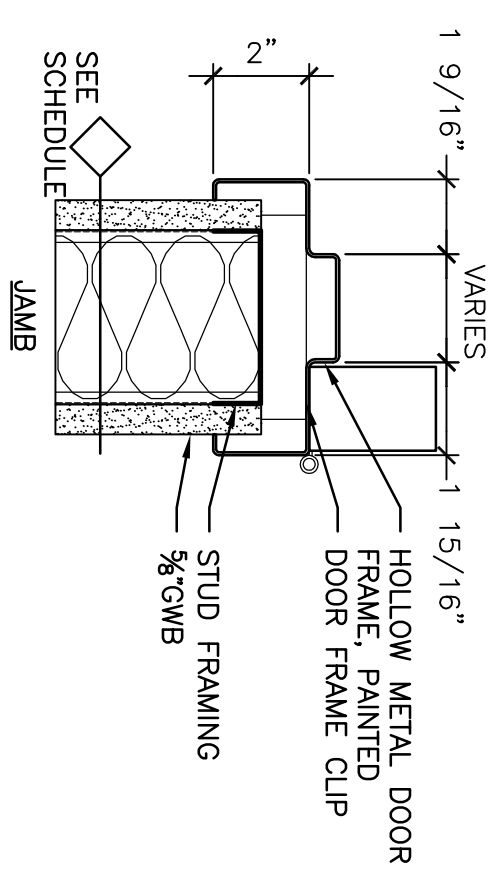
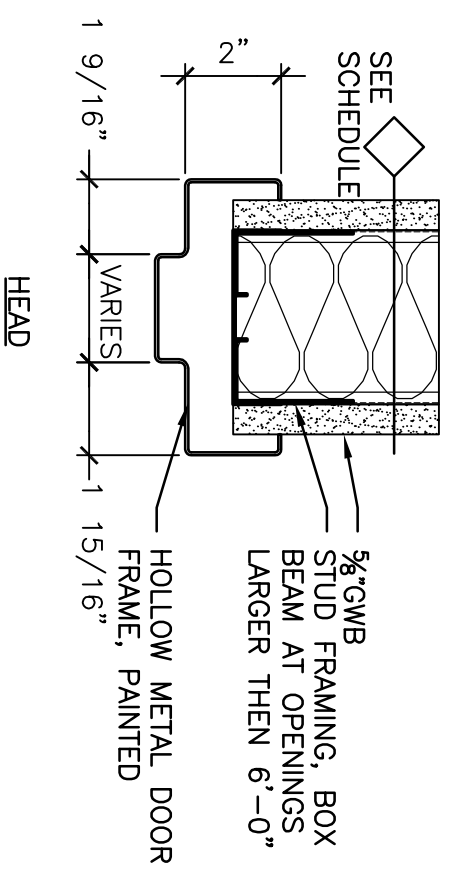
1/4"=1'-0"



A1

FRAME TYPES

1/4"=1'-0"



A2

DOOR HEAD/JAMB DETAIL

3"=1'-0"

144 Fore Street/P.O. Box 618
 Portland, Maine 04104
 tel. (207) 772-3846
 fax. (207) 772-1070
 www.smrtinc.com

ARCHITECTURE
 ENGINEERING
 PLANNING
 INTERIOR DESIGN
 COMMISSIONING



MERCY HOSPITAL
 FORE RIVER MOB LAB
 PORTLAND, MAINE

ISSUED FOR PRICING
 6-24-09

REV	DESCRIPTION	DATE

SCALE: AS NOTED
 PROJECT MANAGER: GDP
 JC/DRAWN BY: CAH
 A/E OF RECORD: GDP
 CAD FILE: AE602-09067-00
 PROJECT NO: 09067-00
 DATE:

DOOR SCHEDULE & DETAILS
 SHEET No. AE602
 © COPYRIGHT 2009 SMRT INC.