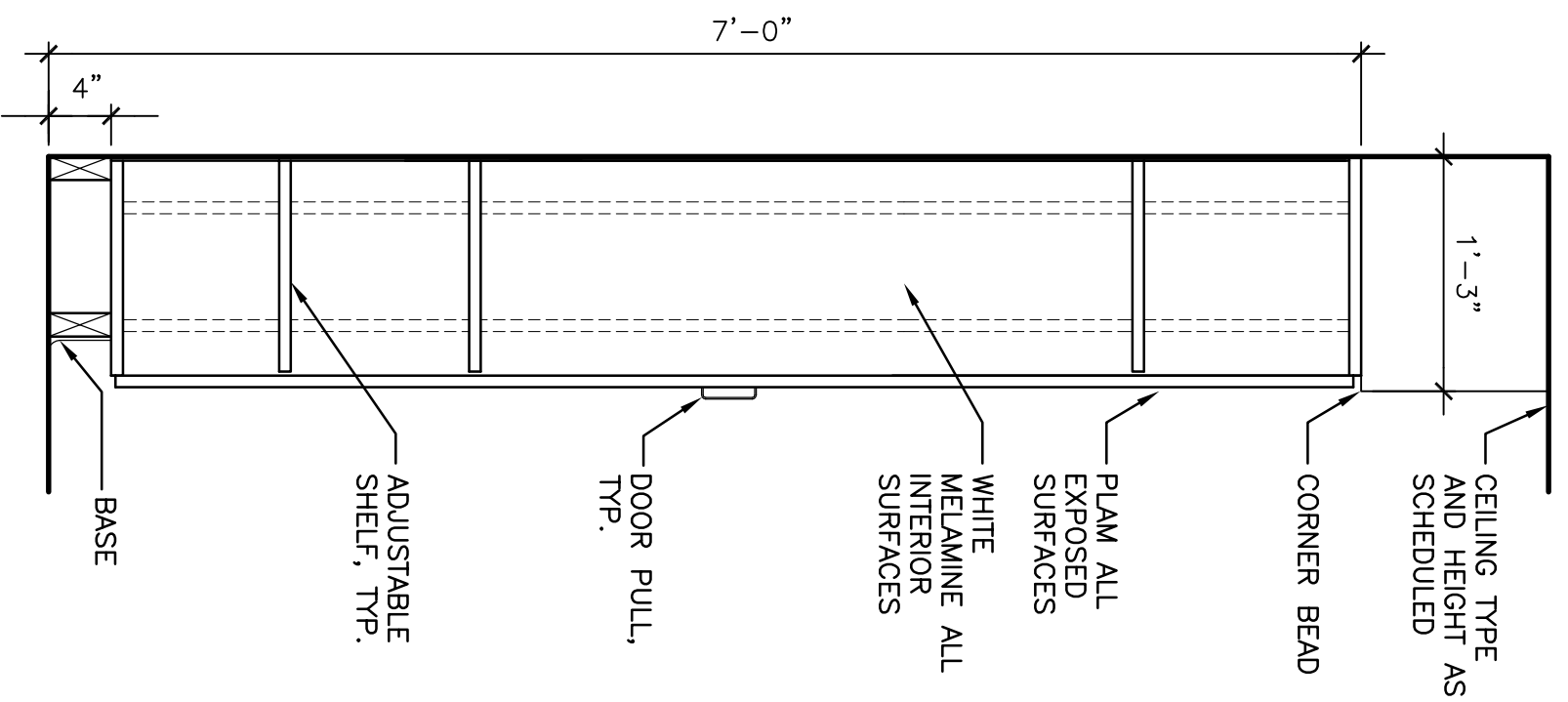


NOTE:
NO BACKSPLASH IN DRAW
1146 & 1148

A1 CASEWORK DETAIL

1" = 1'-0"



A2 CASEWORK DETAIL

1" = 1'-0"

144 Fore Street/P.O. Box 618
Portland, Maine 04104
tel. (207) 772-3846
fax. (207) 772-1070
www.smrtinc.com

ARCHITECTURE
ENGINEERING
PLANNING
INTERIOR DESIGN
COMMISSIONING



MERCY HOSPITAL
FORE RIVER MOB LAB
PORTLAND, MAINE

ISSUED FOR PRICING
6-24-09

CURRENT ISSUE STATUS:

REV	DESCRIPTION	DATE

SCALE: AS NOTED
PROJECT MANAGER: GDP
JC/DRAWN BY: CAH
A/E OF RECORD: GDP
CAD FILE: AE501-09067-00
PROJECT NO: 09067-00
DATE:

SHEET TITLE: INTERIOR DETAILS
SHEET No. AE501

© COPYRIGHT 2009 SMRT INC.