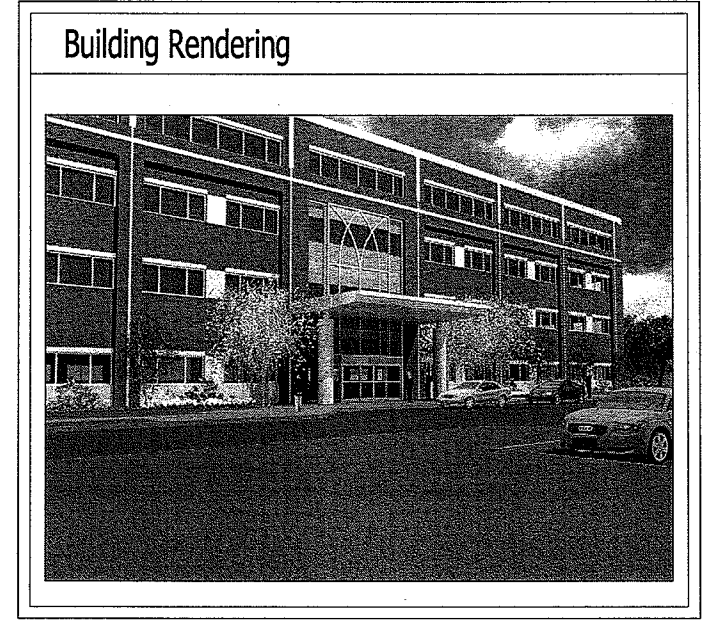


LANDMARK HEALTHCARE FACILITIES LLC

Mercy Hospital
Fore River Medical Pavilion
"Ideal Me" - Dr. Baskin Suite

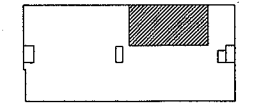
Suite No.: 170
Floor No.: 1st Floor



LANDMARK
HEALTHCARE
FACILITIES, LLC

839 North Jefferson Street
Milwaukee, Wisconsin 53202
Telephone: (414) 277-0500
Facsimile: (414) 277-1055

Key Plan



Architectural

Francis Cauffman

2120 Arch Street
Philadelphia, PA 19103
Ph 215.568.8250
Fx 215.568.2639

Structural

O'Donnell & Naccarato

111 S. Independence Mall
Suite 950
Philadelphia, PA 19106
Ph 215-925-3788
Fx 215-627-1051

Mechanical/Plumbing

AKF ENGINEERS, LLP

1500 Walnut Street
Suite 1400
Philadelphia, PA 19102
Ph 215-735-7290
Fx 215-735-6706

Electrical

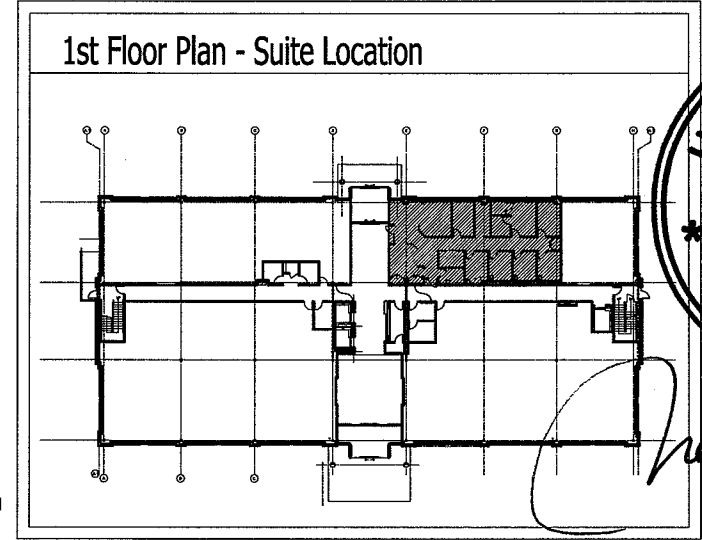
AKF ENGINEERS, LLP

1500 Walnut Street
Suite 1400
Philadelphia, PA 19102
Ph 215-735-7290
Fx 215-735-6706

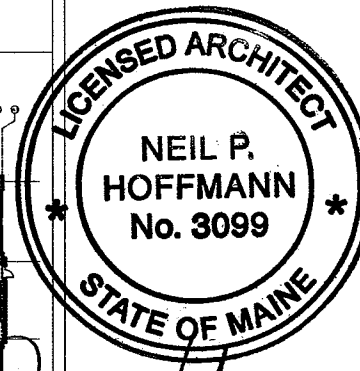
Fire Protection

AKF ENGINEERS, LLP

1500 Walnut Street
Suite 1400
Philadelphia, PA 19102
Ph 215-735-7290
Fx 215-735-6706



Revisions



Neil P. Hoffmann

- T1.1 Title Sheet
- T1.2 Title Sheet
- A6.1 Floor Plan - Architectural (Partial)
- A6.2 Floor Plan - Furnishings, Power and Equipment Locations
- A7.1 Room Finish Schedule and Details
- A7.2 Floor Plan - Finishes
- A8.1 Interior Elevations
- A8.2 Standard Casework Elevations
- A8.3 Casework Sections
- A8.4 Casework and Countertop Details
- A9.1 Reflected Ceiling Plan
- A10.1 Partition Types
- A10.2 Partition Types and Details
- A10.3 Interior Details
- A10.4 Interior Details
- A11.1 Door Schedule and Details
- A11.2 Equipment by Tenant Schedule

- H-1.0 HVAC Cover Sheet
- H-2.0 HVAC Floor Plan
- H-3.0 HVAC Schedules
- P-1.0 Plumbing Cover Sheet
- P-1.1 Plumbing General Notes
- P-2.0 Plumbing Floor Plan
- P-3.0 Plumbing Schedules
- P-4.0 Plumbing Details
- P-5.0 Plumbing Riser Diagrams

- E-1.0 Electrical Cover Sheet
- E-2.0 Electrical Floor Plan - Power
- E-3.0 Electrical Floor Plan - Lighting
- E-5.1 Electrical Schedule
- E-6.0 Electrical Details

- FP-1.0 Fire Protection Cover Sheet
- FP-2.0 Fire Protection Floor Plan
- FP-3.0 Fire Protection Schedules & Details

Building Data / Code Summary		2,210 S.F.
1. Code Reference: Building Code - International Building Code 2003 Accessibility Code - Maine Accessibility Code ICC / ANSI A117.1 Plumbing Code - International Plumbing Code 2003 Fire Protection Code - NFPA Code / City of Portland Mechanical Code - International Mechanical Code 2003 Electrical Code - NEC National Electric Code 2005		
2. Occupancy / Use Group: Business Use Group B (IBC Code 2003) New Business Occupancy (NFPA-101)		
3. Construction Type: Type II-B with appvd. automatic sprinkler system / IBC 2003 Type II (000) - Unprotected, Noncombustible with approved supervised automatic sprinkler system / NFPA-101/220. NFPA 13 - Install. of Sprinkler Systems, Ordinary Hazard		
4. Fire Resistance:	Exterior Wall - 0 Hr.	
	Shaft Wall - 1 Hr.	
	Corridor Wall - 0 Hr.	
	Demising Wall - 2 Hr.	
	Floor/Roof Construction - 0 Hr.	
	Columns/Beams - 0 Hr.	
5. Fire Protection System:	Fully Sprinkled, Manual Fire Alarm	

Sheet
Title Sheet

Project
**MERCY HOSPITAL
Medical Office Bldg.
Portland, Maine**

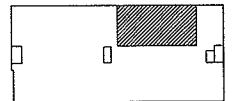
"Ideal Me"
**Dr. Baskin Suite
Suite 170**

Date
February 28, 2008

Project No.
F07-5256.05

Sheet No.
T1.1

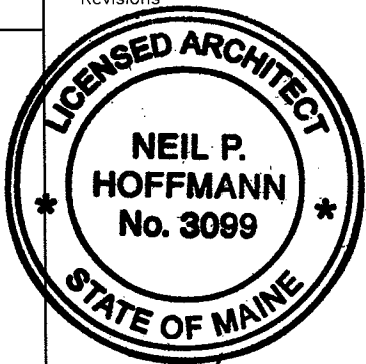
Key Plan



NORTH



Revisions



Neil P. Hoffmann

GENERAL NOTES

1. SUITE AREAS SHALL BE FINISHED IN THE CORE AND SHELL BUILDING PHASE AS NOTED BELOW:
 - A) EXTERIOR STUD WALLS: EXPOSED STUDS, INSULATION AND VAPOR BARRIER IF INDICATED BY WALL SECTIONS
 - B) EXTERIOR CONCRETE WALLS: EXPOSED STUDS OR FURRING, INSULATION AND VAPOR BARRIER
 - C) INTERIOR FIRE RATED PARTITIONS: TAPED GYPSUM BOARD
 - D) INTERIOR NON-RATED PARTITIONS: EXPOSED STUDS (AND INSULATION IF APPLICABLE BY WALL TYPE)
 - E) CEILING: EXPOSED STRUCTURE
 - F) FLOORS ON GRADE: GRANULAR FILL OVER VAPOR BARRIER WITH CONCRETE SLAB, INCLUDE IN SHELL AND CORE CONTRACT. SLABS IN TENANT SUITES TO BE POURED AS TENANT CONSTRUCTION DRAWINGS BECOME AVAILABLE.
 - G) FLOORS AT UPPER LEVEL: EXPOSED STRUCTURE
 - H) COLUMNS UNRATED: EXPOSED STEEL OR CONCRETE
 - J) COLUMNS RATED: FIRE PROOFING ON STEEL OR EXPOSED CONCRETE
2. EXTERIOR WALL BELOW FINISH CEILING SHALL BE INSULATED WITH UN-FACED BATT INSULATION IN METAL STUDS AND VAPOR BARRIER ONLY IN SUITE AREAS. DRYWALL AND FINISH SHALL BE PROVIDED IN SUITE AREA BUILD-OUT CONTRACT AFTER OUTLETS HAVE BEEN LOCATED.
3. EXTERIOR WALL ABOVE FINISH CEILING SHALL BE SIMILAR TO NOTE 2 ABOVE PLUS EXTERIOR WALL SHALL RECEIVE 1/4" GYPSUM BOARD TO PROTECT INSULATION AND VAPOR BARRIER ABOVE CEILING. CONTRACTORS SHALL VERIFY FINISH CEILING HEIGHT WITH LANDMARK PRIOR TO START OF CONSTRUCTION AND SHALL PLACE 1/4" GYPSUM BOARD STARTING 6" ABOVE FINISH CEILINGS.
4. SPACE ABOVE "CEILING" IS A RETURN AIR PLENUM. WIRING IN PLENUMS SHALL COMPLY WITH THE REQUIREMENTS OF THE APPLICABLE EDITION OF THE NATIONAL ELECTRIC CODE. LOW VOLTAGE WIRING ABOVE CEILINGS OF CORRIDORS, TELEPHONE AND ELECTRICAL ROOMS IN THE BASE BUILDING, WHICH ARE NON-PLENUM AREAS, MAY BE EXPOSED WHEN THE FLOOR/ CEILING OR ROOF CEILING IS NOT A U.L. ASSEMBLY: BUT MUST COMPLY WITH PLENUM REQUIREMENTS WHEN PART OF A U.L. ASSEMBLY. LOW VOLTAGE WIRING IS NOT TO BE RUN IN THE CEILING SPACE ABOVE PUBLIC RESTROOMS, ELEVATOR ROOMS, OR MECHANICAL ROOMS.
5. EXTERIOR WALL AT BRACE FRAME SHALL BE INSULATED WITH UN-FACED BATT INSULATION AND A VAPOR BARRIER IN SUITE AREA. A SECOND PARTITION SIMILAR TO TYPE "K" SHALL BE PROVIDED AROUND BRACE FRAME. DRYWALL AND FINISH SHALL BE PROVIDED IN A SUITE AREA BUILD-OUT AFTER OUTLETS HAVE BEEN LOCATED. REFER TO DETAIL 5 "FINISH AT STRUCTURAL BRACE FRAME" ON SHEET A10.2
6. SEE SHEETS A10.1 AND A10.2 FOR PARTITION TYPES.
7. DIMENSIONS ARE FACE OF WALL TO FACE OF WALL (NOMINAL).

Sheet

Title Sheet

Project

MERCY HOSPITAL
Medical Office Bldg.
Portland, Maine

"Ideal Me"
Dr. Baskin Suite
Suite 170

Date

February 28, 2008

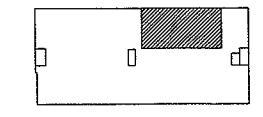
Project No.

F07-5256.05

Sheet No.

T1.2

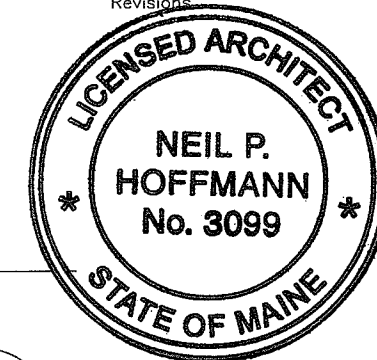
Key Plan



NORTH

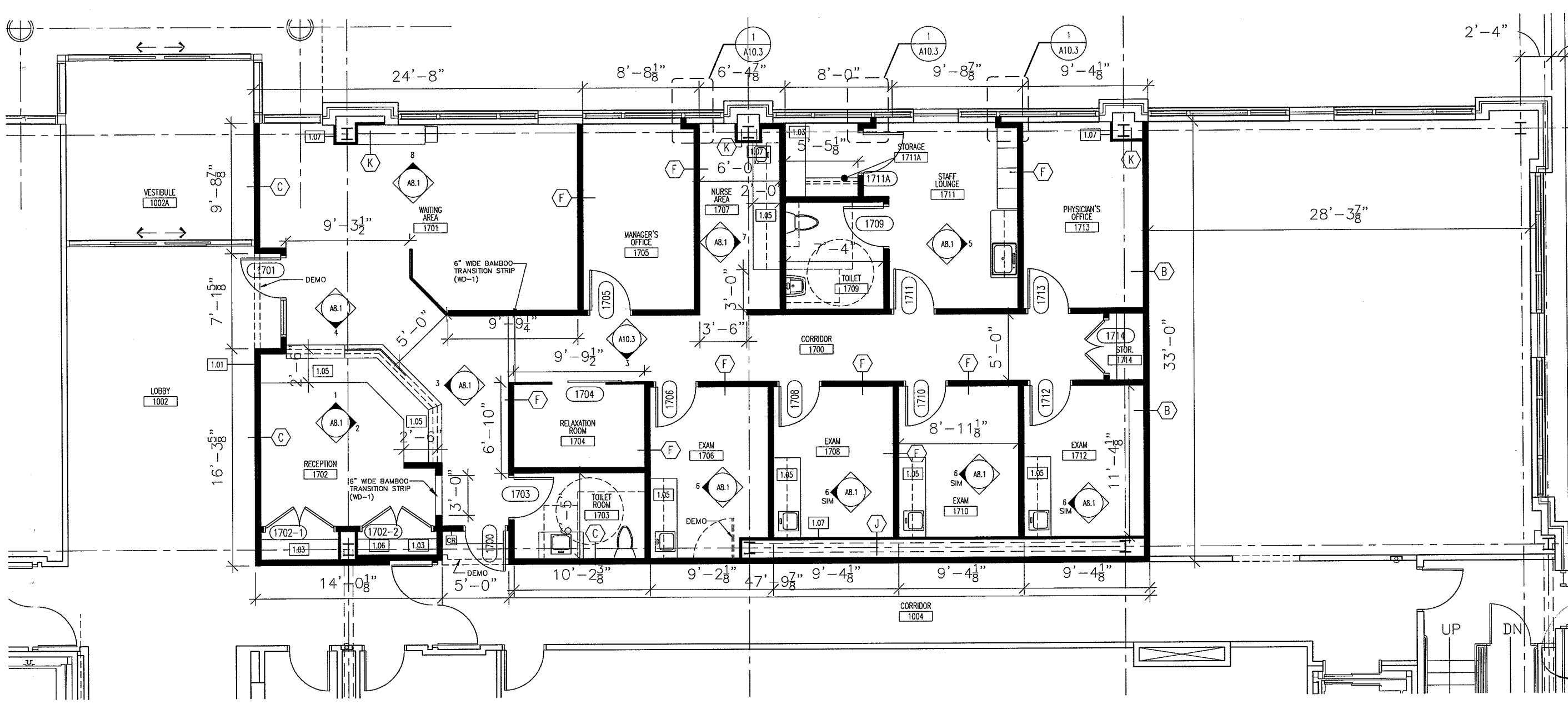


Revisions



Neil P. Hoffmann

Sheet
**Floor Plan -
Architectural**



1 FLOOR PLAN
SCALE: 1/8" = 1'-0"

KEY NOTE LEGEND	
1.01	SUITE ENTRY PLAQUE - SEE DETAIL 4/A10.4
1.02	COAT RACK - SEE DETAIL 2/A10.4
1.03	(5) 1'-4" PLASTIC LAMINATE SHELVES ON ADJUSTABLE STANDARDS
1.04	ALIGN SURFACE WITH ADJACENT SURFACE
1.05	GROMMET HOLE IN COUNTERTOP
1.06	TELEPHONE BACKBOARD
1.07	GYPSUM BOARD FINISH ON SHELL AND CORE METAL STUDS PROVIDED BY OTHERS
1.08	FIRE EXTINGUISHER AND BRACKET
1.09	SPECIMAN PASS-THRU

GENERAL NOTES

1. PROVIDE INSULATION AND GYPSUM BOARD FINISH ON METAL STUDS PROVIDED IN SHELL AND CORE WORK - FIELD VERIFY AND CLARIFY ALL CONDITIONS PRIOR TO BIDDING.
2. USE WATER RESISTANT GYPSUM BOARD IN TOILET ROOMS AND OTHER SIMILAR ROOMS.
3. ALL CHANGES TO SHELL AND CORE WORK DUE TO TENANT WORK SHALL BE INCLUDED IN THE COST FOR TENANT WORK.
4. DIMENSIONS ARE FACE TO FACE (NOMINAL) OF FINISH MATERIAL, UNLESS NOTED OTHERWISE.
5. PROVIDE MINI-BLINDS IN ALL TENANT SUITE WINDOWS ANCHORED TO ALUMINUM FRAME.

LEGEND	
ROOM NAME xxx	ROOM NAME / NUMBER
---	SHELL AND CORE WORK TO BE DEMOLISHED
---	KEY NOTE SYMBOL - SEE KEY NOTE LEGEND FOR DETAILS
△	REVISION REFERENCE MARK
xxx-1	DOOR REFERENCE MARK
⊗	PARTITION REFERENCE MARK
AX.X	ELEVATION DETAIL SYMBOL
AX.X	ELEVATION NUMBER
AX.X	SHEET NUMBER
X	SECTION DETAIL SYMBOL
AX.X	DETAIL NUMBER
AX.X	SHEET NUMBER
CR	CARD READER ACCESS SYSTEM

Project
**MERCY HOSPITAL
Medical Office Bldg
Portland, Maine**

"Ideal Me"
**Dr. Baskin Suite
Suite 170**

Date
February 28, 2008

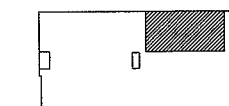
Project No.
F07-5256.05

Sheet No.
A6.1

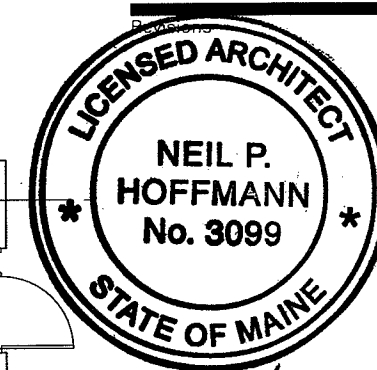
**LANDMARK
HEALTHCARE
FACILITIES, LLC**

839 North Jefferson Street
Milwaukee, Wisconsin 53202
Telephone: (414) 277-0500
Facsimile: (414) 277-1055

Key Plan



NORTH



Neil P. Hoffmann



1 FLOOR PLAN
SCALE: 1/8" = 1'-0"

Sheet
**Floor Plan -
Furnishings, Power
and Equipment
Locations**

Project
**MERCY HOSPITAL
Medical Office Bldg.
Portland, Maine**

"Ideal Me"
**Dr. Baskin Suite
Suite 170**

Date
February 28, 2008

Project No.
F07-5256.05

Sheet No.
A6.2

GENERAL NOTES

1. THE FOLLOWING WORK, INCLUDING SYSTEMS, DEVICES AND WIRING, IS NOT INCLUDED IN THE CONTRACT BUT MAY BE PROVIDED BY OTHERS:
 - A. TELEPHONE AND COMPUTER SYSTEMS
 - B. MEDICAL GAS SYSTEMS
 - C. PNEUMATIC TUBE SYSTEMS
 - D. SECURITY AND TIME CLOCK SYSTEMS
 - E. NURSE CALL / NURSE NOTIFICATION SYSTEMS
 - F. TOILET PAPER, TOWELS, SOAP DISPENSORS
 - G. CHART HOLDERS AND MAGAZINE RACKS
2. JUNCTION BOX AND CONDUIT TO AN ACCESSIBLE CEILING SHALL BE PROVIDED FOR TELEPHONE / COMPUTER SYSTEMS.
3. JUNCTION BOX AND CONDUIT TO AN ACCESSIBLE CEILING MAY BE PROVIDED FOR SECURITY, NURSE CALL, NURSE NOTIFICATION, AND OTHER SYSTEMS, IF REQUESTED BY THE TENANT.
4. ALL FREESTANDING FURNITURE AND EQUIPMENT TO BE PROVIDED BY TENANT. FREESTANDING FURNITURE SHOWN FOR REFERENCE ONLY.

LEGEND

- | | | | |
|--|---|--|---|
| | DUPLEX RECEPTACLE MOUNTED 18" AFF | | CARD READER ACCESS SYSTEM |
| | DUPLEX RECEPTACLE @ HEIGHT NOTED - TO BE CONFIRMED WITH OWNER | | TELEPHONE / COMPUTER JUNCTION BOX MOUNTED 18" AFF |
| | DUPLEX RECEPTACLE MOUNTED ABOVE COUNTER | | TELEPHONE / COMPUTER JUNCTION BOX MOUNTED ABOVE COUNTER |
| | DUPLEX RECEPTACLE - GFI MOUNTED ABOVE COUNTER | | SINGLE POLE SWITCH |
| | QUADRIPLEX RECEPTACLE MOUNTED 18" AFF | | DIMMER SWITCH |
| | QUADRIPLEX RECEPTACLE MOUNTED ABOVE COUNTER | | THREE WAY SINGLE POLE SWITCH |
| | SPECIAL OUTLET | | OVERRIDE SWITCH - AFTER HOURS |
| | REFER TO ELECTRICAL DRAWINGS | | VAV THERMOSTAT |
| | | | EQUIPMENT KEY NOTE SYMBOL - SEE SHEET A11.2 FOR DETAILS |

MECHANICAL NOTES

1. PERIMETER ROOMS WILL BE ZONED TOGETHER AND SHALL BE CONDITIONED WITH ELECTRIC REHEAT COILS IN FAN POWERED VAV TERMINAL UNITS AND CONTROLLED WITH ONE THERMOSTAT.
2. INTERIOR ROOMS WILL BE ZONED TOGETHER AND SHALL BE CONDITIONED WITH SHUT-OFF FAN POWERED VAV TERMINAL UNITS AND CONTROLLED WITH ONE THERMOSTAT.
3. RETURN AIR SHALL BE THROUGH A PLENUM TYPE RETURN AIR LIGHT FIXTURE.
4. ROOFTOP MOUNTED CENTRAL EXHAUST SHALL BE PROVIDED FOR TOILET ROOMS.

GENERAL NOTES

1. HOLLOW METAL DOOR AND WINDOW FRAMES IN CORRIDOR WALLS SHALL BE PAINTED TO MATCH SHELL AND CORE HOLLOW METAL FRAMES.

2. ALL OTHER HOLLOW METAL DOOR AND WINDOW FRAMES IN TENANT SUITE SHALL BE PAINTED PT-1 WITH SEMI-GLOSS FINISH.

3. FLOOR TRANSITION STRIP COLOR SHALL MATCH VINYL BASE COLOR.

4. RECEPTION OFFICE MILLWORK TO BE PL-1.

5. DOORS IN INTERIOR OF TENANT SUITE SHALL BE PL-4.

6. ALL CABINETRY TO BE ARMSTRONG CABINETS, RUTLEDGE STYLE; COLOR: MAPLE W. ESPRESSO FINISH.

INTERIOR FINISH LEGEND

CPT - CARPET

CPT-1 CAMBRIDGE, "LOFT #LFT07, CANVAS"
CPT-2 SHAW, "DRESSED TO KILL-SHADOW PLUSH #8110, MUSE"

VCT - VINYL COMPOSITION TILE

VCT-1 TARKETT-AZROCK, "SAND DUNE #V-873" SIZE 12" X 12"

VB - VINYL BASE

VB-1 JOHNSONITE, "ALMOND #34", 4" HIGH COVE

T - TILE

T-1 DAL-TILE, "VERANDA #P505 SAND"
T-2 MARACAS GLASS, "FROSTED WILDFLOWERS BLEND #P668"

TB - TILE BASE

TB-1 DAL-TILE, "VERANDA #P505 SAND" 4" HIGH WITH BULLNOSE EDGE

G - GROUT

G-1 MAPEI, "DESIGNER SERIES" COLOR TO MATCH T-1

WD - WOOD FLOORING

WD-1 BAMBOO-TERAGREN "CRAFTSMAN VERTICAL GRAIN, CARMELIZED", 6"X6' LONG PLANKS
LOCATION: EXAM ROOM FLOORS;
TRANSITION STRIP AT TWO (2) LOCATIONS
LOCAL REP. LEAH LEDOUX, COMMERCIAL FLOORING SOLUTIONS, 207-671-6789

WB - WOOD BASE

WB-1 BAMBOO-TERAGREN "CRAFTSMAN VERTICAL GRAIN, CARMELIZED", BASE SHOE MOLDING-3/4" X 1/2"
LOCAL REP. LEAH LEDOUX, COMMERCIAL FLOORING SOLUTIONS, 207-671-6789

PT - PAINT

PT-1 BEN MOORE, "FRENCH WHITE #1093" SATIN
PT-2 BEN MOORE, "MALTON #1073" SATIN
PT-3 BEN MOORE, "ALPACA #1074" SATIN
PT-4 BEN MOORE, "BLANCHED ALMOND #1060" SATIN

VWC - VINYL WALL COVERING

VWC-1 D.L.COUGH-YORK CONTRACT STUDIO SOURCE "SEA GLASS #TC3996 FROSTED GLASS" TYPE II WALLCOVERING
54" PATTERN MATCH

PL - PLASTIC LAMINATE

PL-1 WILSONART "COCOBALA #7942-07" MATTE
PL-2 NEVAMAR "CLASSIC ROCK #RK200IT" SUEDE
PL-3 WILSONART "MONTEREY SUN #4638-60" MATTE
PL-4 WILSONART "BLOND ECHO #7939-38" SUEDE

SS - SOLID SURFACE

SS-1 DUPONT-ZODIAQ "ASTRAL PEARL"

AP - ACRYLIC PANEL

AP-1 3-FORM, BIRCH GROVE, 1/2" THICK
FRONT/BACK FINISH: SANDSTONE

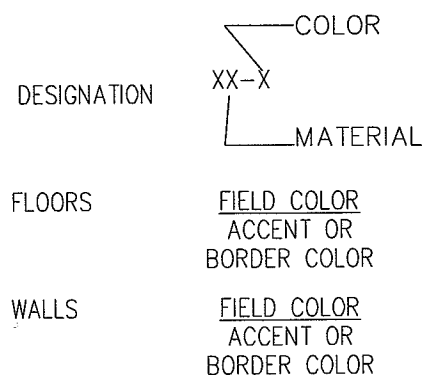
ACT - ACOUSTICAL CEILING CEILING

ACT-1 ARMSTRONG, DUNE #1774 SIZE: 24"X24"
ANGLED REGULAR TILE ON 15/16" GRID

ROOM FINISH SCHEDULE

ROOM NO.	ROOM NAME	FLOOR		WALLS				CEILING
		FINISH	BASE	NORTH	SOUTH	EAST	WEST	
1700	CORRIDOR	CPT-1 WD-1 TRANS.	VB-1	PT-2	PT-2	PT-2	PT-2	ACT-1
1701	WAITING AREA	CPT-2	VB-1 PL-1 MILLWORK	VWC-1	VWC-1 AP-1	VWC-1	VWC-1	ACT-1
1702	RECEPTION OFFICE	CPT-1 WD-1 TRANS.	VB-1 PL-1 MILLWORK	PT-3 AP-1	PT-3	PT-3	VWC-1	ACT-1
1703	TOILET	T-1	TB-1	PT-3	PT-3	T-2	PT-3	ACT-1
1704	RELAXATION ROOM	CPT-1	VB-1	GLASS SLIDERS	PT-3	VWC-1	PT-3	ACT-1
1705	MANAGER'S OFFICE	CPT-1	VB-1	PT-4	PT-2	PT-2	PT-2	ACT-1
1706	EXAM	WD-1	WB-1	PT-2	PT-2	PT-4	PT-2	ACT-1
1707	NURSE AREA	CPT-1	VB-1	PT-2	PT-2	PT-2	PT-2	ACT-1
1708	EXAM	WD-1	WB-1	PT-2	PT-2	PT-3	PT-2	ACT-1
1709	TOILET	T-1	TB-1	PT-3	PT-3	PT-3	PT-3	ACT-1
1710	EXAM	WD-1	WB-1	PT-2	PT-2	PT-4	PT-2	ACT-1
1711	STAFF LOUNGE	VCT-1	VB-1	PT-3	PT-3	PT-3	PT-3	ACT-1
1711A	STORAGE	VCT-1	VB-1	PT-3	PT-3	PT-3	PT-3	ACT-1
1712	EXAM	WD-1	WB-1	PT-2	PT-2	PT-3	PT-2	ACT-1
1713	PHYSICIAN'S OFFICE	CPT-1	VB-1	PT-3	PT-3	PT-3	PT-3	ACT-1
1714	TELECOM STORAGE	CPT-1	VB-1	PT-2	PT-2	PT-2	PT-2	ACT-1

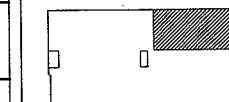
RFS LEGEND



LANDMARK HEALTHCARE FACILITIES, LLC

839 North Jefferson Street
Milwaukee, Wisconsin 53202
Telephone: (414) 277-0500
Facsimile: (414) 277-1055

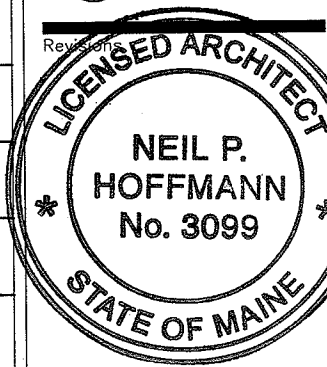
Key Plan



NORTH



Reviewed



Neil P. Hoffmann

Sheet

Room Finish Schedule and Details

Project

**MERCY HOSPITAL
Medical Office Bldg.
Portland, Maine**

**"Ideal Me"
Dr. Baskin Suite
Suite 170**

Date

February 28, 2008

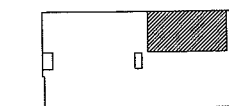
Project No.

F07-5256.05

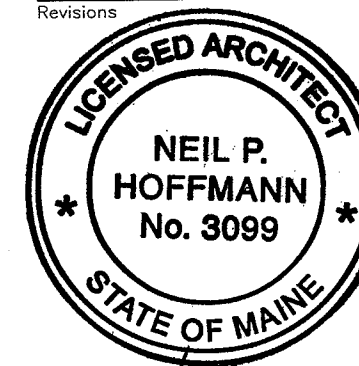
Sheet No.

A7.1

Key Plan

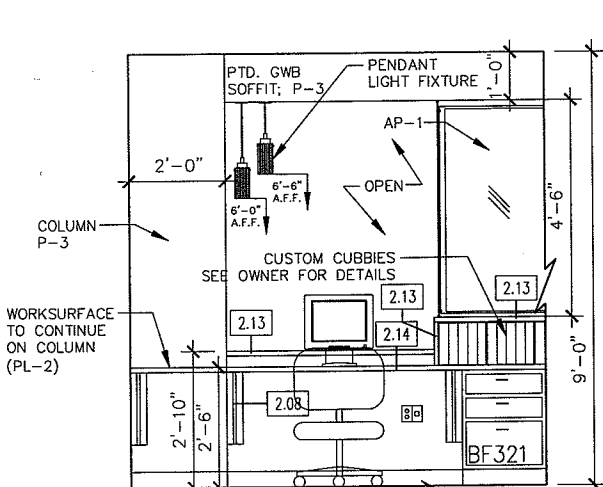


Revisions

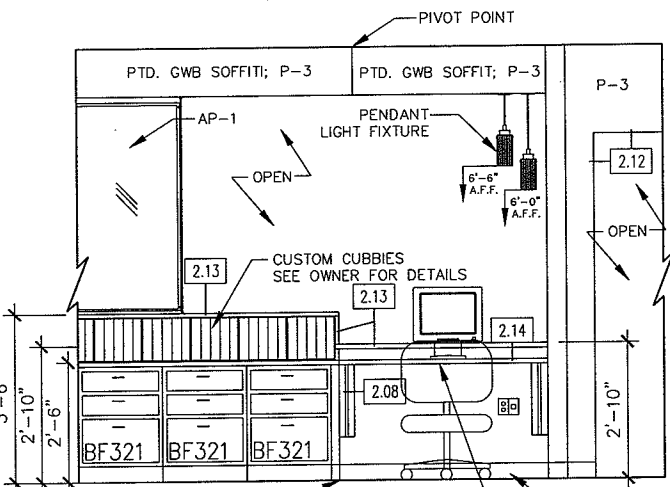


Neil P. Hoffmann

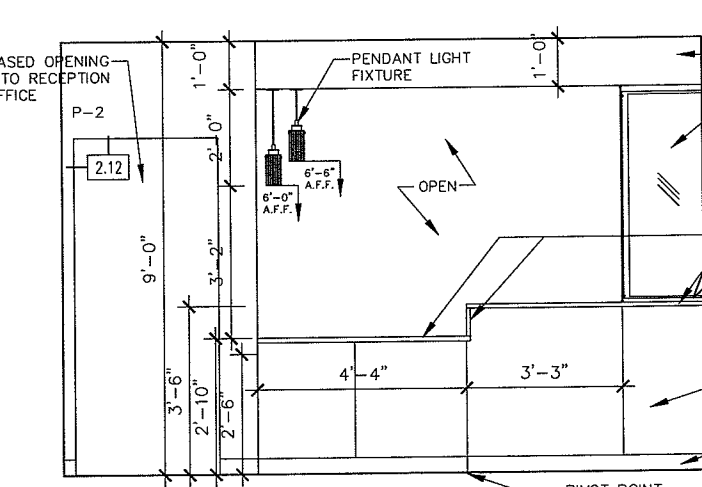
Sheet
**Interior
Elevations**



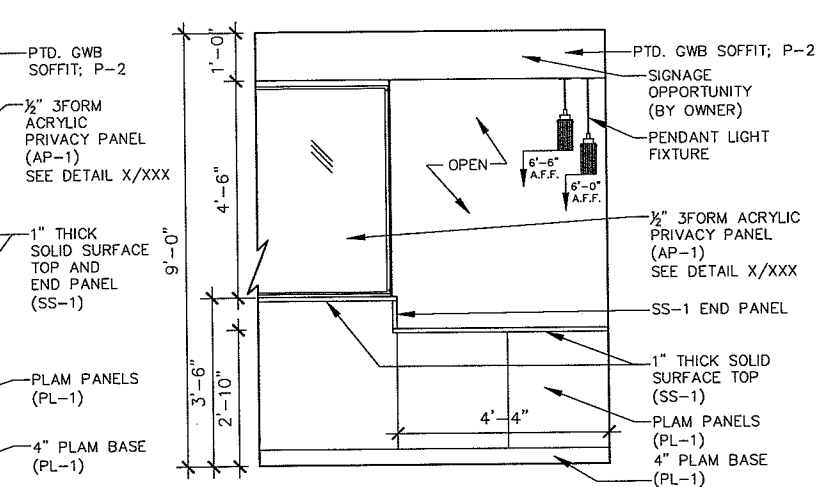
1 RECEPTION-OFFICE SIDE
SCALE: 1/4" = 1'-0"
**SEE SHEET A9.1 FOR DECORATIVE LIGHT FIXTURE INFORMATION



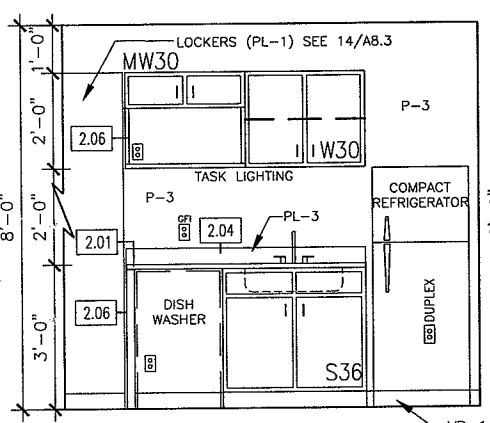
2 RECEPTION-OFFICE SIDE
SCALE: 1/4" = 1'-0"
**SEE SHEET A9.1 FOR DECORATIVE LIGHT FIXTURE INFORMATION



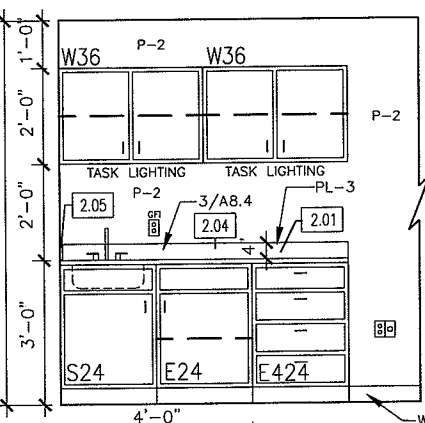
3 RECEPTION-PATIENT SIDE
SCALE: 1/4" = 1'-0"
**SEE SHEET A9.1 FOR DECORATIVE LIGHT FIXTURE INFORMATION



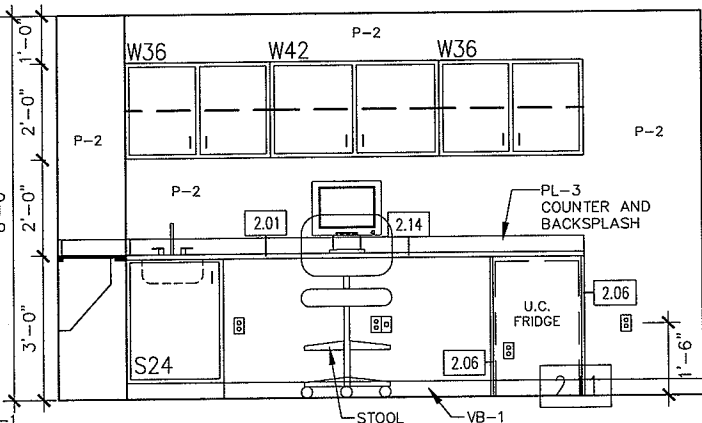
4 RECEPTION-PATIENT SIDE
SCALE: 1/4" = 1'-0"
**SEE SHEET A9.1 FOR DECORATIVE LIGHT FIXTURE INFORMATION



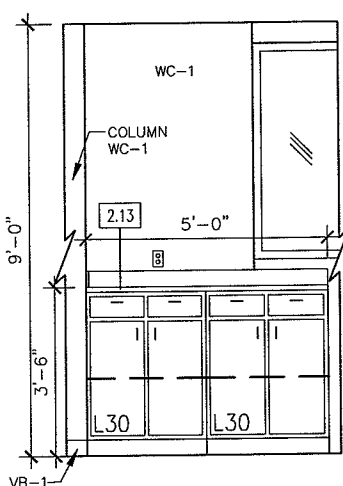
5 STAFF LOUNGE
SCALE: 1/4" = 1'-0"



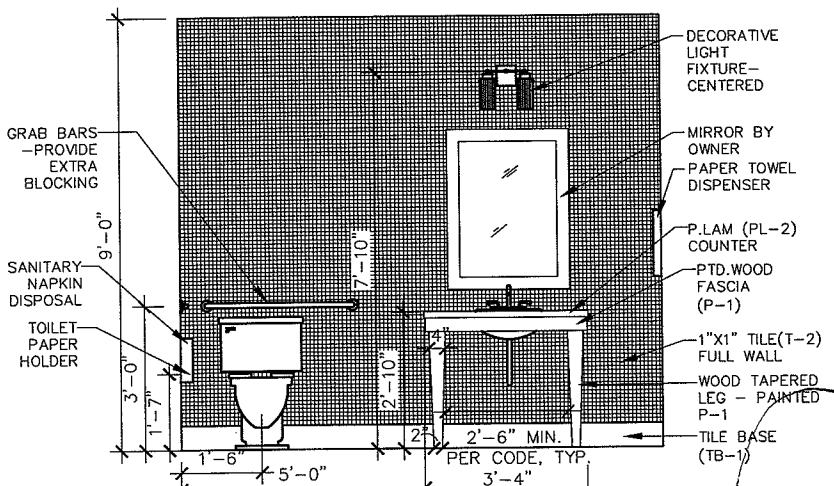
6 EXAM CASEWORK TYP.
SCALE: 1/4" = 1'-0"



7 NURSE AREA
SCALE: 1/4" = 1'-0"



8 REFRESHMENT STATION
SCALE: 1/4" = 1'-0"



9 TOILET ROOM - #1703
SCALE: 1/4" = 1'-0"
**SEE SHEET A9.1 FOR DECORATIVE LIGHT FIXTURE INFORMATION

LEGEND

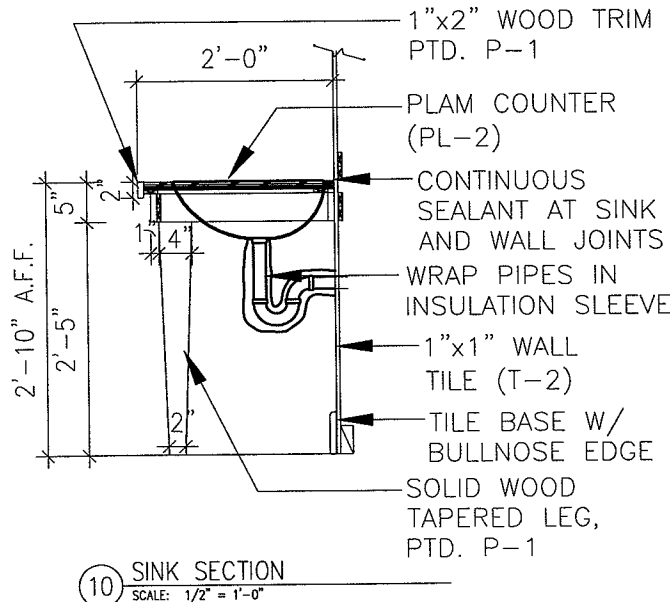
- 2.00 KEY NOTE SYMBOL - SEE KEY NOTE LEGEND FOR DETAILS
- REVISION REFERENCE MARK
- SECTION DETAIL SYMBOL
- DETAIL NUMBER SHEET NUMBER

KEY NOTE LEGEND

- 2.01 PLASTIC LAMINATE COUNTERTOP
- 2.02 3 1/2" PLASTIC LAMINATE APRON
- 2.04 4" PLASTIC LAMINATE BACKSPLASH
- 2.05 4" PLASTIC LAMINATE SIDESPLASH
- 2.06 PLASTIC LAMINATE END PANEL
- 2.07 PLASTIC LAMINATE FILLER PANEL
- 2.08 1'-4" PLASTIC LAMINATE SUPPORT BRACKET
- 2.09 1'-0" PLASTIC LAMINATE SUPPORT BRACKET
- 2.10 SLIDING GLASS RECEPTION COUNTER
- 2.11 UNDERCOUNTER REFRIGERATOR SPACE
- 2.12 GYPSUM BOARD CASSED OPENING
- 2.13 SOLID SURFACE SS-1
- 2.14 GROMMET HOLE IN COUNTERTOP

GENERAL NOTES

- ALL CABINETS TO BE ARMSTRONG CABINETS, RUTLEDGE STYLE; COLOR: MAPLE W. ESPRESSO FINISH.
- PLASTIC LAMINATE COUNTERTOPS SHALL BE AS NOTED ON ELEVATIONS.
- PROVIDE END SPLASH IN MATCHING MATERIAL AT WALL ON COUNTERTOPS WITH BACKSPLASHES AND SINKS.
- ALL CABINET PULLS TO BE KRAFTMAID #7088 W. BRUSHED CHROME FINISH.
- DIMENSIONS ARE FACE TO FACE (NOMINAL) OF FINISH MATERIAL, UNLESS NOTED OTHERWISE.
- ALL FREESTANDING FURNITURE AND EQUIPMENT TO BE PROVIDED BY TENANT. FREESTANDING FURNITURE SHOWN FOR REFERENCE ONLY.



10 SINK SECTION
SCALE: 1/2" = 1'-0"

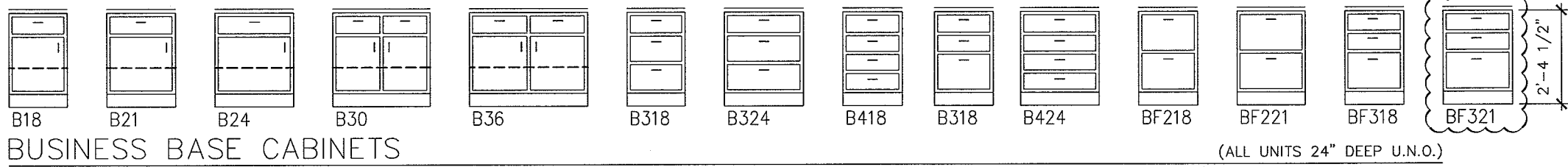
Project
**MERCY HOSPITAL
Medical Office Bldg.
Portland, Maine**

"Ideal Me"
**Dr. Baskin Suite
Suite 170**

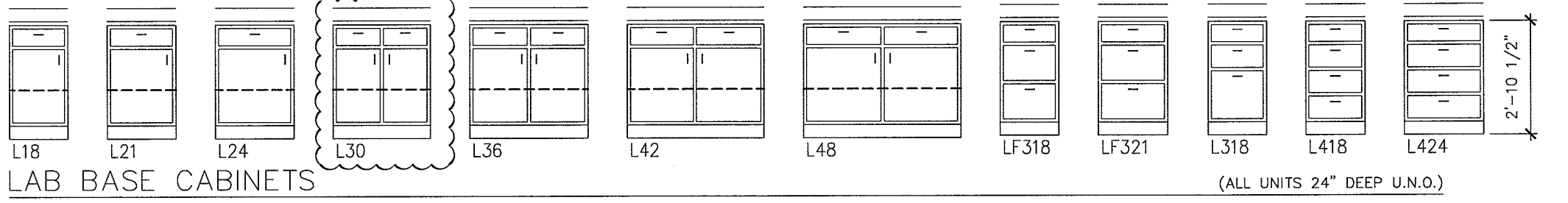
Date
February 28, 2008

Project No.
F07-5256.05

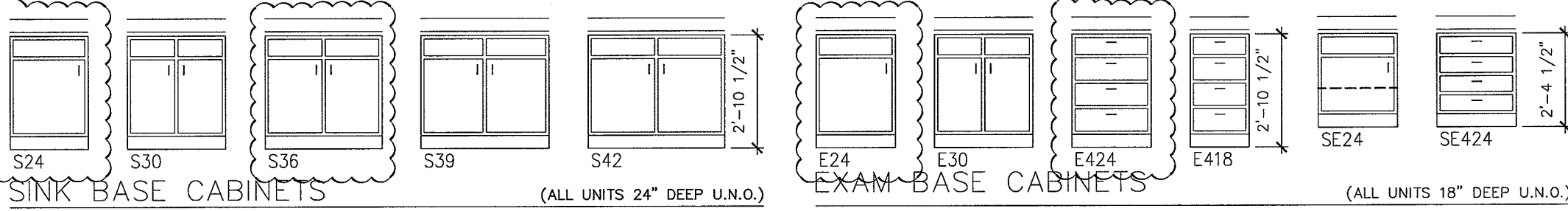
Sheet No.
A8.1



BUSINESS BASE CABINETS

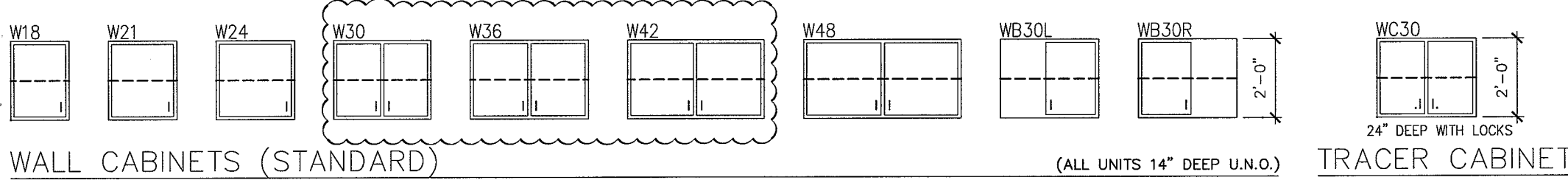


LAB BASE CABINETS



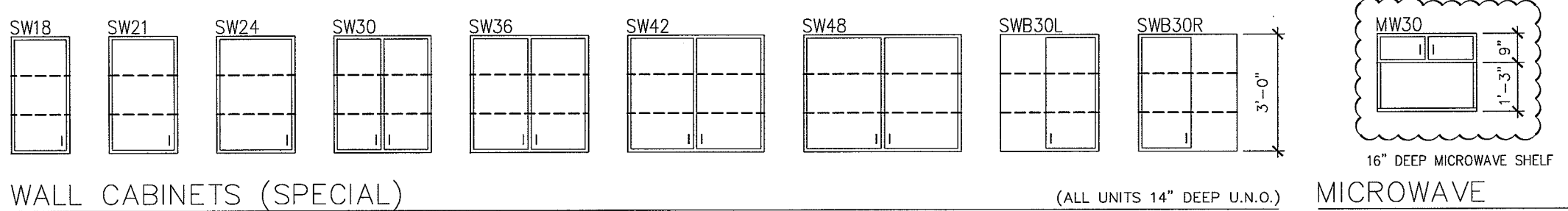
SINK BASE CABINETS

EXAM BASE CABINETS



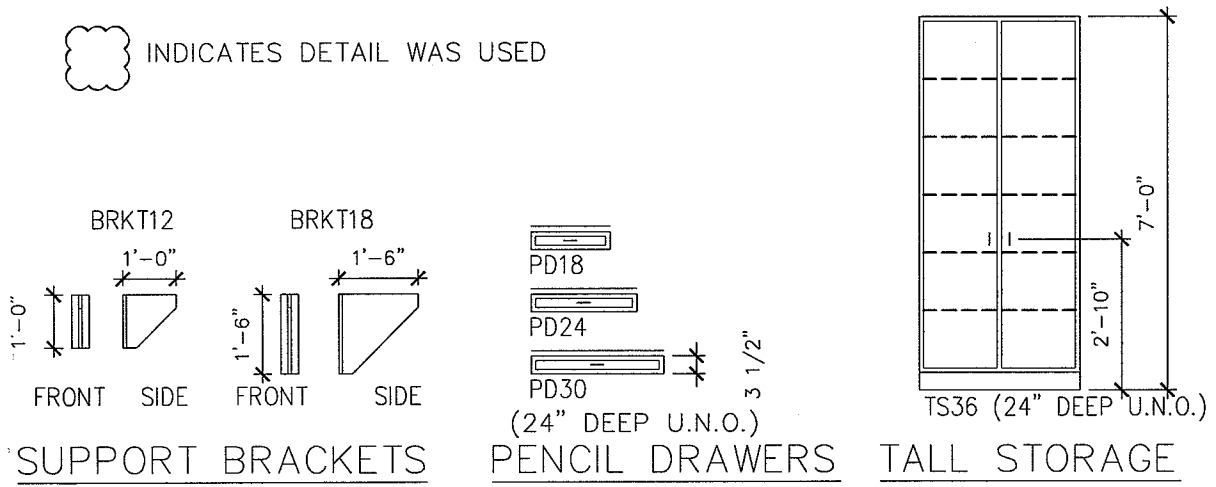
WALL CABINETS (STANDARD)

TRACER CABINET



WALL CABINETS (SPECIAL)

MICROWAVE



SUPPORT BRACKETS

PENCIL DRAWERS

TALL STORAGE

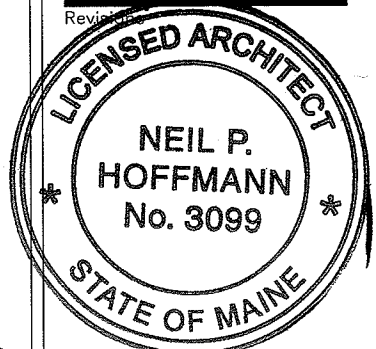
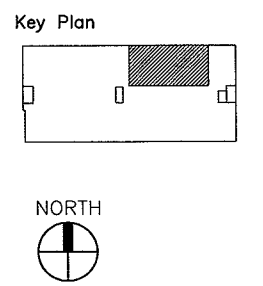
GENERAL NOTES

1. ALL CABINET AND COUNTERTOP MATERIAL IS 3/4" THICK UNLESS NOTED OTHERWISE.
2. THE BOTTOM OF ALL DRAWERS IS 5/16" (8MM) ABOVE EITHER THE CABINET BOTTOM OR THE HORIZONTAL BRACES.
3. WALL AND BASE CABINET BACKS AND DRAWER BOTTOMS ARE 1/4" THICK. ALL OTHER CABINET AND COUNTER TOP COMPONENTS ARE 3/4" THICK UNLESS NOTED OTHERWISE.
4. ALL EXPOSED COUNTERTOP CORNERS ARE TO BE RADIUSUED.

LAB BASE CABINETS

- B324-- BUSINESS DRAWER BASE CABINET
 WIDTH IN INCHES
 NO. OF DRAWERS
- BF218-- BUSINESS FILE DRAWER BASE CABINET
 WIDTH IN INCHES
 NO. OF DRAWERS
- L324-- LAB DRAWER BASE CABINET
 WIDTH IN INCHES
 NO. OF DRAWERS
- LF318-- LAB FILE DRAWER BASE CABINET
 WIDTH IN INCHES
 NO. OF DRAWERS
- S24-- SINK BASE CABINET
 WIDTH IN INCHES
- E24-- EXAM BASE CABINET
 WIDTH IN INCHES
- E424-- EXAM BASE CABINET
 WIDTH IN INCHES
 NO. OF DRAWERS
- SE24-- SPECIAL EXAM BASE CABINET
 WIDTH IN INCHES
- SE424-- SPECIAL EXAM BASE CABINET
 WIDTH IN INCHES
 NO. OF DRAWERS
- W18-- WALL CABINET
 WIDTH IN INCHES
- SW18-- SPECIAL WALL CABINET
 WIDTH IN INCHES
- PD24-- PENCIL DRAWER
 WIDTH IN INCHES
- TS36-- TALL STORAGE CABINET
- WB30L-- LEFT BLIND CORNER WALL CABINET
- WB30R-- RIGHT BLIND CORNER WALL CABINET
- WC30-- TRACER COMPUTER WALL CABINET
- MW30-- MIRCORWAVE WALL CABINET

LANDMARK HEALTHCARE FACILITIES, LLC
 839 North Jefferson Street
 Milwaukee, Wisconsin 53202
 Telephone: (414) 277-0500
 Facsimile: (414) 277-1055



Neil P. Hoffmann

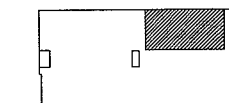
Sheet
Standard Casework Elevations

Project
MERCY HOSPITAL
Medical Office Bldg.
Portland, Maine
 "Ideal Me"
Dr. Baskin Suite
Suite 170

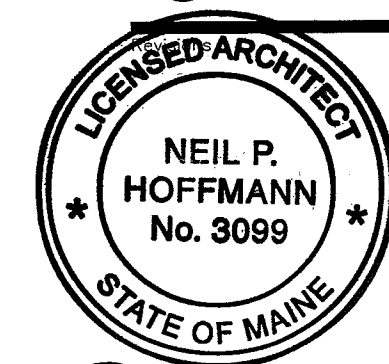
Date
February 28, 2008
 Project No.
F07-5256.05

Sheet No.
A8.2

Key Plan



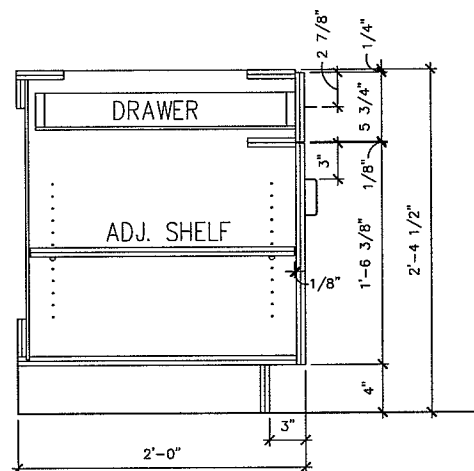
NORTH



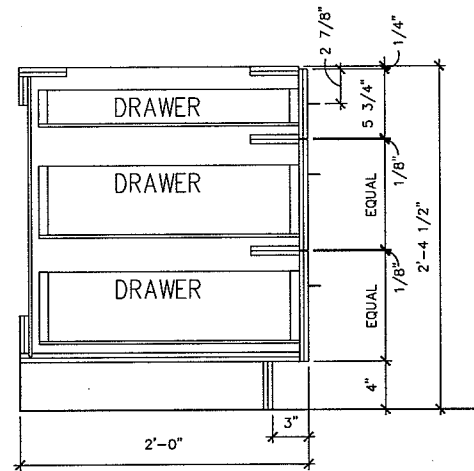
Neil P. Hoffmann

Sheet

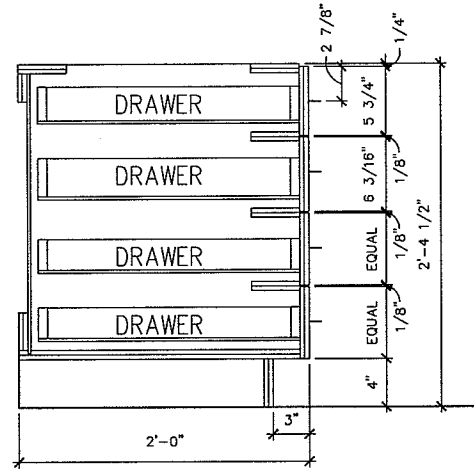
**Casework
Sections**



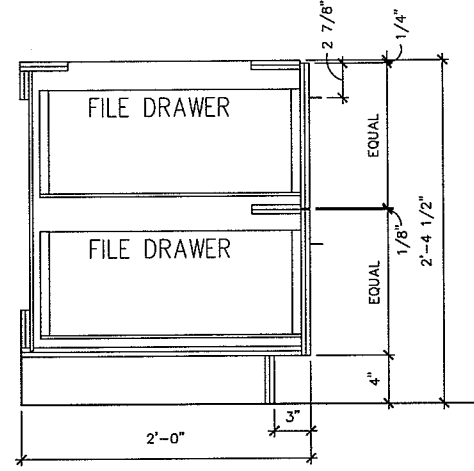
1 DOOR CABINET - BUSINESS
SCALE: 3/4" = 1'-0"



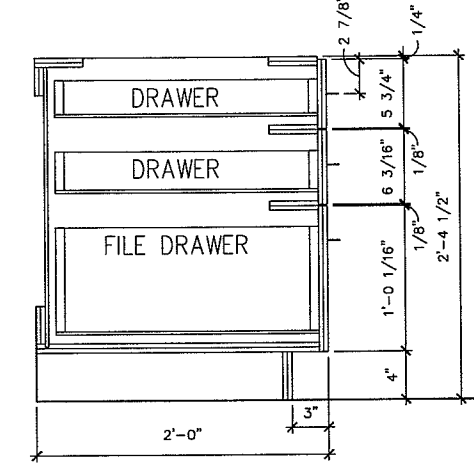
2 3 DRAWER - BUSINESS
SCALE: 3/4" = 1'-0"



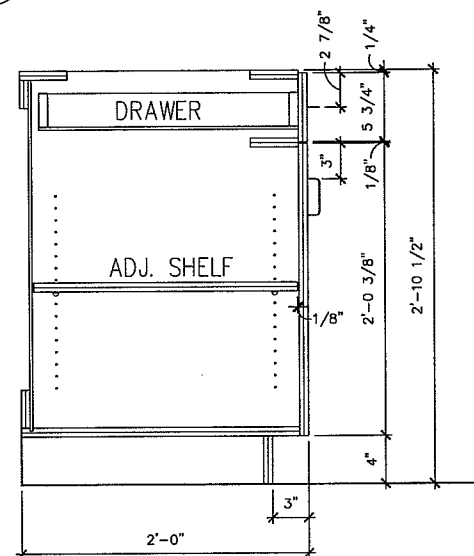
3 4 DRAWER - BUSINESS
SCALE: 3/4" = 1'-0"



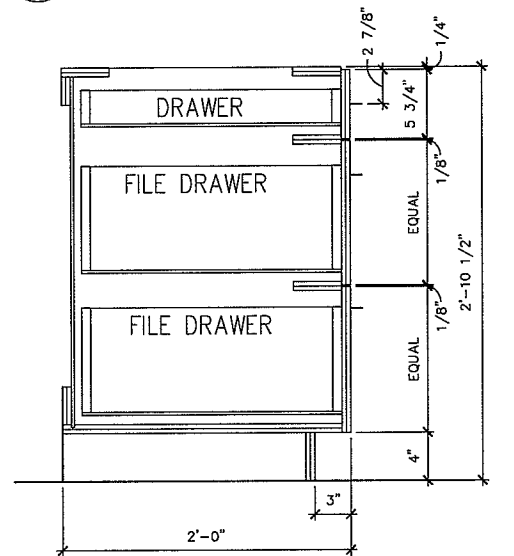
4 DOUBLE FILE - BUSINESS
SCALE: 3/4" = 1'-0"



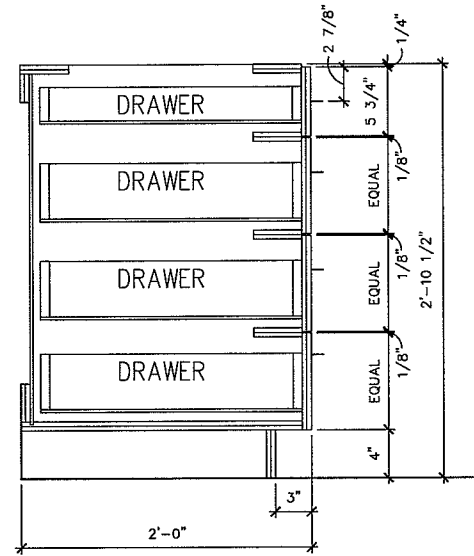
5 SINGLE FILE - BUSINESS
SCALE: 3/4" = 1'-0"



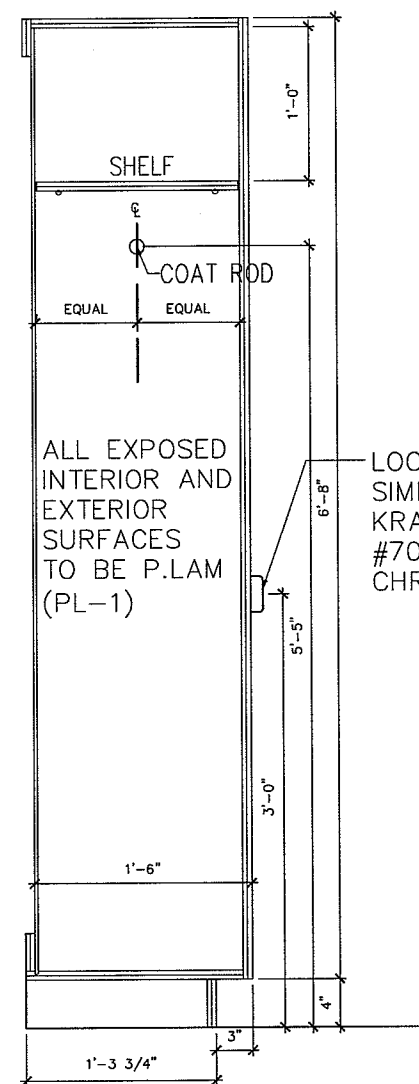
6 DOOR CABINET - LAB
SCALE: 3/4" = 1'-0"



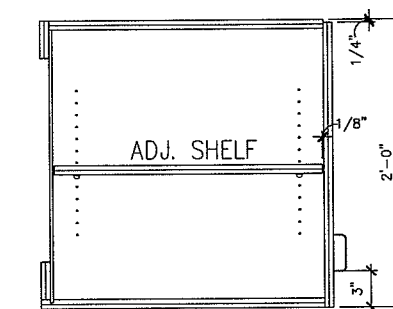
7 3 DRAWER - LAB
SCALE: 3/4" = 1'-0"



8 4 DRAWER - LAB
SCALE: 3/4" = 1'-0"



14 LOCKERS - STAFF LOUNGE
SCALE: 3/4" = 1'-0"



9 TRACER COMPUTER
SPECIAL WALL CABINET
SCALE: 3/4" = 1'-0"

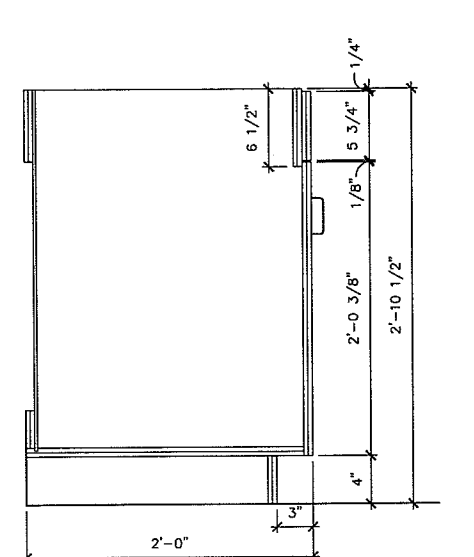
ALL EXPOSED
INTERIOR AND
EXTERIOR
SURFACES
TO BE P.LAM
(PL-1)

LOCKER PULL
SIMILAR TO
KRAFTMAID
#7088, BRUSHED
CHROME FINISH

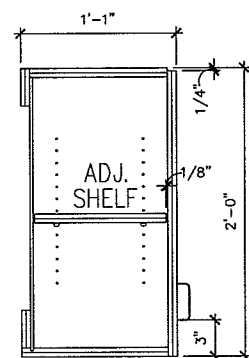
INDICATES DETAIL WAS USED

GENERAL NOTES

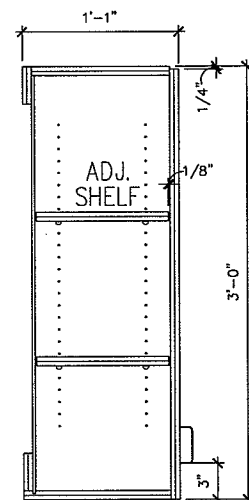
1. ALL CABINETRY TO BE ARMSTRONG CABINETS, RUTLEDGE STYLE; COLOR: MAPLE WITH ESPRESSO FINISH
2. ALL CABINET PULLS TO BE KRAFTMAID #7088 W. BRUSHED CHROME FINISH.
3. ALL EXPOSED COUNTERTOP CORNERS ARE TO BE RADIUS.



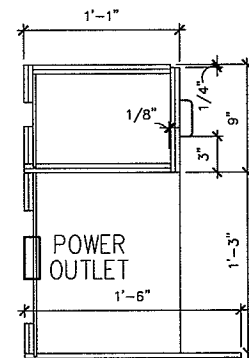
10 SINK BASE CABINET
SCALE: 3/4" = 1'-0"



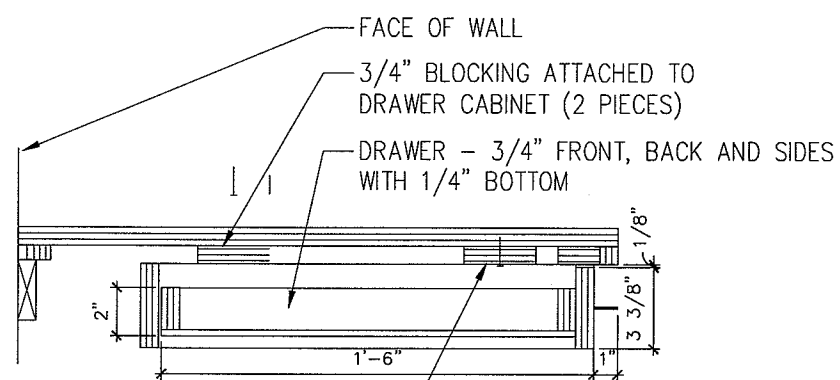
11 STANDARD WALL CABINET
SCALE: 3/4" = 1'-0"



12 TALL WALL CABINET
SCALE: 3/4" = 1'-0"

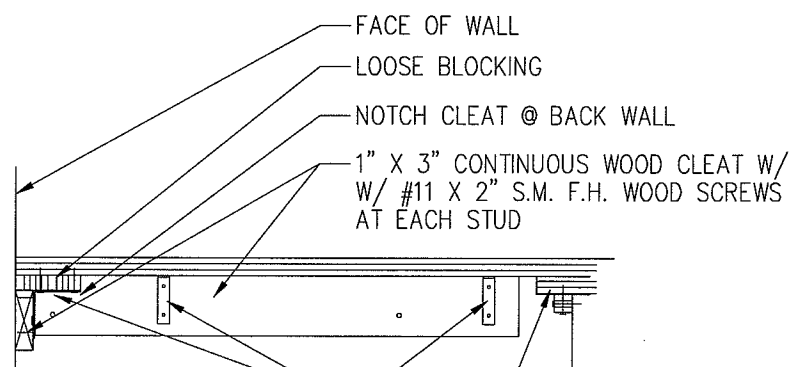


13 MICROWAVE WALL CABINET
SCALE: 3/4" = 1'-0"



ATTACH TO COUNTERTOP WITH
(4) #8 X 1-1/4" F.H. WOOD SCREWS
ALIGN WITH DRAWER OR DOOR FACE

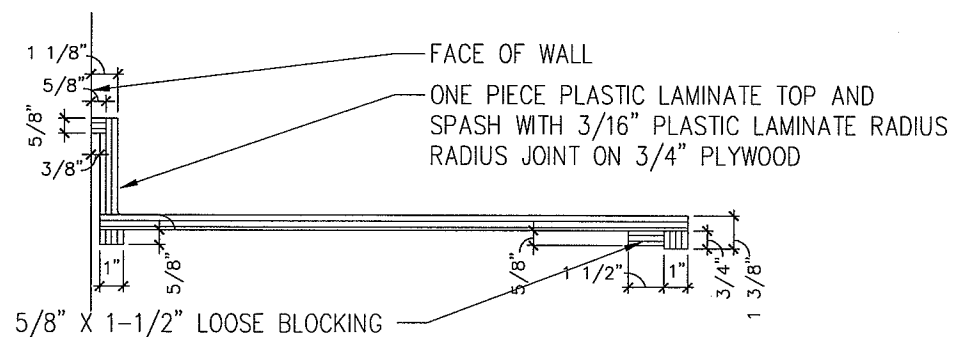
1 PENCIL DRAWER
SCALE: 1 1/2" = 1'-0"



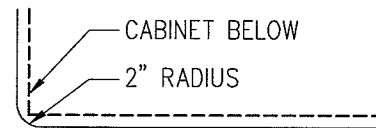
2" X 2" STEEL CORNER BRACE @
24" O.C. W/ 2-#8 X 3/4" F.H. WOOD
SCREWS INTO CLEAT AND 2-#36 X 1-1/4"
F.H. WOOD SCREWS INTO COUNTERTOP

3/4" X 3/4" LOOSE BLOCKING
ATTACH TO APRON WITH (4) #8 X
1-1/4" F.H. WOOD SCREWS @ 12" O.C.
3/4" PLASTIC LAMINATE APRON
ALIGN WITH DRAWER OR DOOR FACE

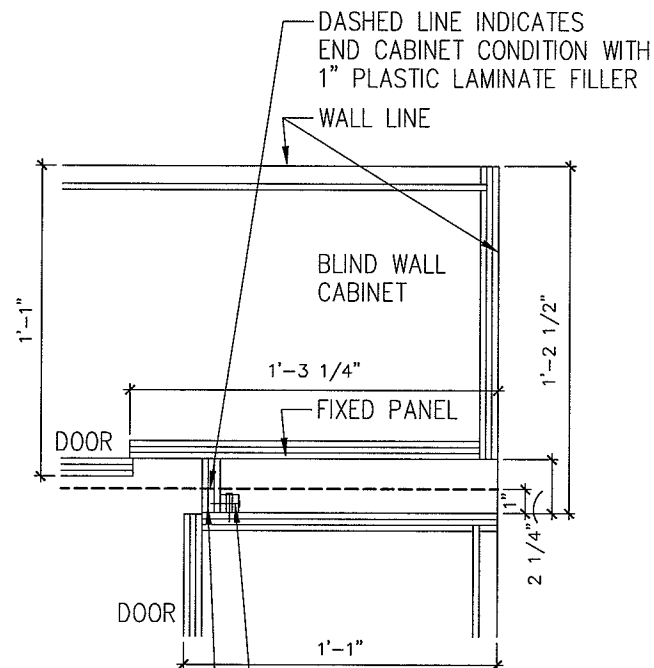
2 WALL BRACE / APRON
SCALE: 1 1/2" = 1'-0"



3 TYPICAL SINK COUNTERTOP
SCALE: 1 1/2" = 1'-0"

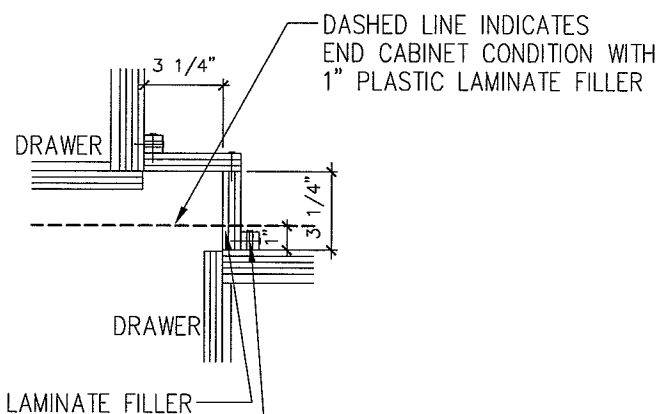


4 COUNTERTOP PLAN
SCALE: 1 1/2" = 1'-0"



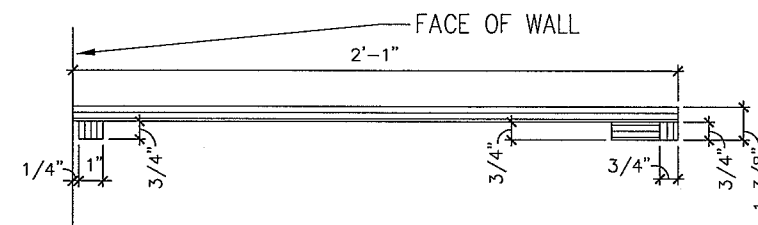
PLASTIC LAMINATE FILLER
(4) #8 X 1-1/4" F.H. WOOD
SCREWS THRU 3/4" X 3/4"
LOOSE BLOCKING

5 TYPICAL UPPER CABINET CORNER
SCALE: 1 1/2" = 1'-0"



PLASTIC LAMINATE FILLER
(6) #8 X 1-1/4" F.H. WOOD
SCREWS THRU 3/4" X 3/4"
LOOSE BLOCKING

6 TYPICAL LOWER CABINET CORNER
SCALE: 1 1/2" = 1'-0"

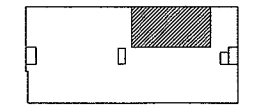


7 TYPICAL BUSINESS COUNTERTOP
SCALE: 1 1/2" = 1'-0"

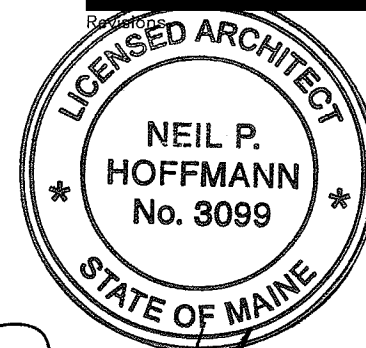
LANDMARK
HEALTHCARE
FACILITIES, LLC

839 North Jefferson Street
Milwaukee, Wisconsin 53202
Telephone: (414) 277-0500
Facsimile: (414) 277-1055

Key Plan



NORTH



Neil P. Hoffmann

Sheet

Casework and
Countertop
Details

Project

MERCY HOSPITAL
Medical Office Bldg.
Portland, Maine

"Ideal Me"
Dr. Baskin Suite
Suite 170

Date

February 28, 2008

Project No.

F07-5256.05

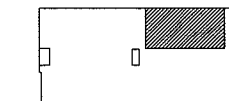
Sheet No.

A8.4

GENERAL NOTES

- ALL CABINET AND COUNTERTOP MATERIAL IS 3/4" THICK UNLESS NOTED OTHERWISE.
- THE BOTTOM OF ALL DRAWERS IS 5/16" (8MM) ABOVE EITHER THE CABINET BOTTOM OR THE HORIZONTAL BRACES.
- WALL AND BASE CABINET BACKS AND DRAWER BOTTOMS ARE 1/4" THICK. ALL OTHER CABINET AND COUNTER TOP COMPONENTS ARE 3/4" THICK UNLESS NOTED OTHERWISE.
- ALL EXPOSED COUNTERTOP CORNERS ARE TO BE RADIUS

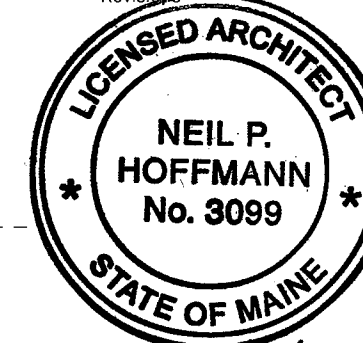
Key Plan



NORTH



Revisions



Neil P. Hoffmann

Sheet

Partial 1st Floor
Reflected
Ceiling Plan

Project

MERCY HOSPITAL
Medical Office Bldg.
Portland, Maine

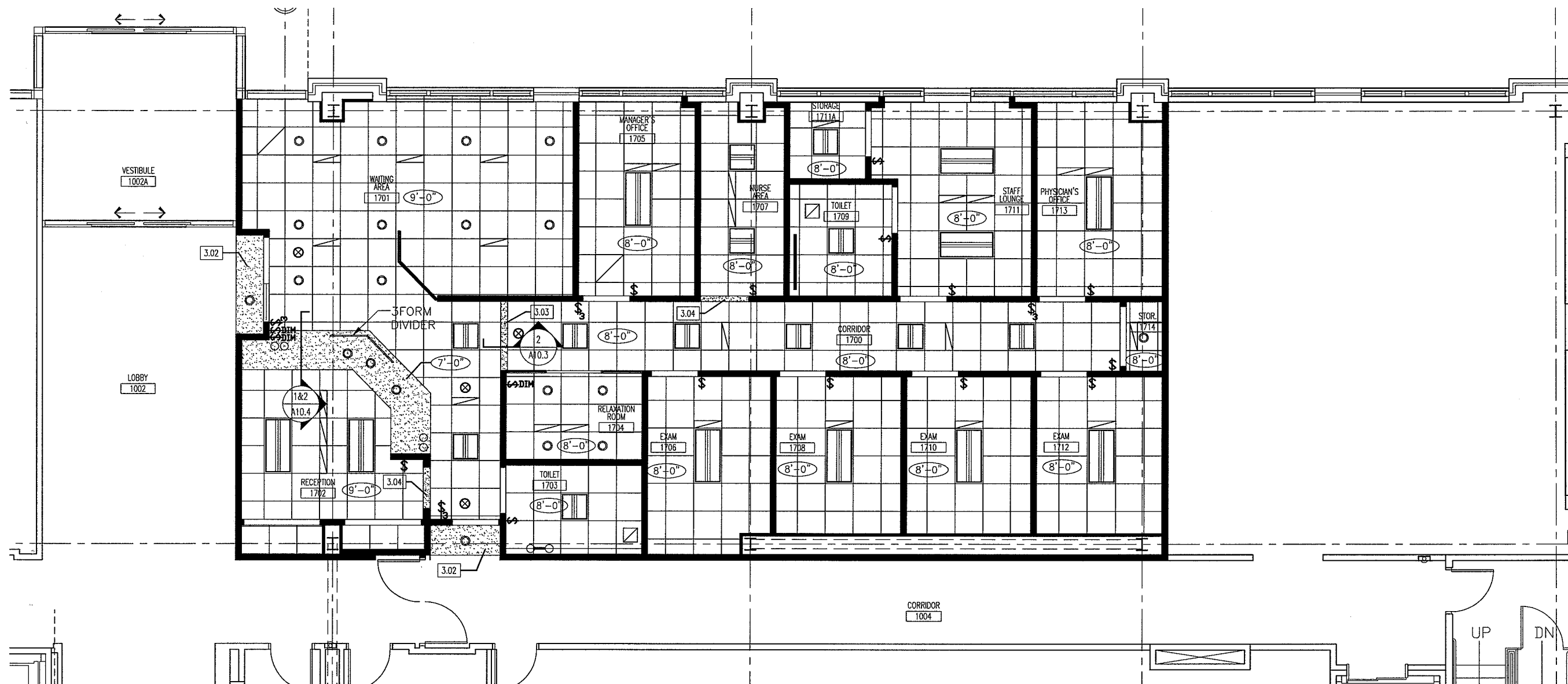
"Ideal Me"
Dr. Baskin Suite
Suite 170

Date
February 28, 2008

Project No.
F07-5256.05

Sheet No.

A9.1



1 FLOOR PLAN
SCALE: 1/8" = 1'-0"

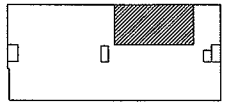
LEGEND

- ROOM NAME / NUMBER
xxx
- KEY NOTE SYMBOL - SEE KEY NOTE LEGEND FOR DETAILS
1.00
- REVISION REFERENCE MARK
- CEILING HEIGHT A.F.F.
8'-0"
- ACOUSTICAL TILE CEILING
- SUSPENDED GYPSUM BOARD CEILING OR SOFFIT
- 2' x 4' FLUORESCENT LIGHT WITH PRISMATIC ACRYLIC LENS
- 2' x 2' FLUORESCENT LIGHT WITH PRISMATIC ACRYLIC LENS
- INCANDESCENT CAN LIGHT
- STANDARD WALLMOUNTED VANITY
Focal Point - Verve II 48"
Contact: Doug Wright - 609-217-2977
- TOILET ROOM VANITY FIXTURE (Room #1703 ONLY)
arcadianlighting.com - MODEL#KR05011
- SUSPENDED PENDANT FIXTURE
arcadianlighting.com - MODEL#KR05009
SEE SHEET A8.1 FOR MOUNTING HEIGHTS
- EXIT SIGN - SEE ELEC. DWGS.
- VARIOUS HVAC DIFFUSERS - SEE MECH. DWGS.

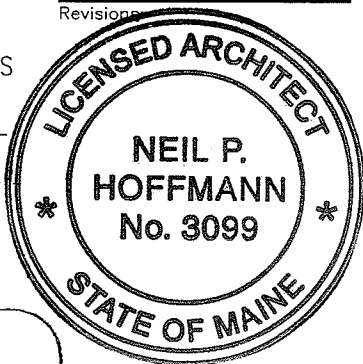
KEY NOTE LEGEND

- 3.01 CUBICAL CURTAIN TRACK
CURTAIN SHALL BE PROVIDED BY TENANT
- 3.02 7'-2" GYPSUM BOARD SOFFIT
- 3.03 8'-0" GYPSUM BOARD HEADER
- 3.04 7'-0" GYPSUM BOARD CASING OPENING

Key Plan



Revisions



Neil P. Hoffmann

Sheet

**Partition Types
and Details**

Project

**MERCY HOSPITAL
Medical Office Bldg.
Portland, Maine**

**"Ideal Me"
Dr. Baskin Suite
Suite 170**

Date

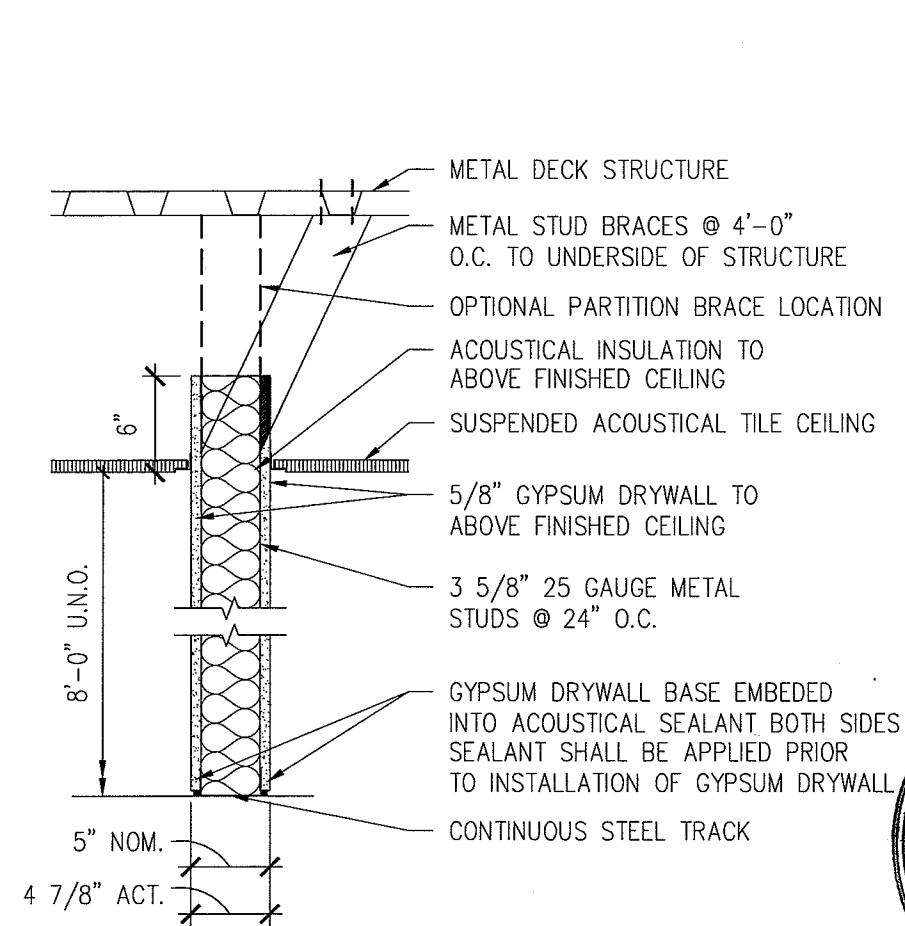
February 28, 2008

Project No.

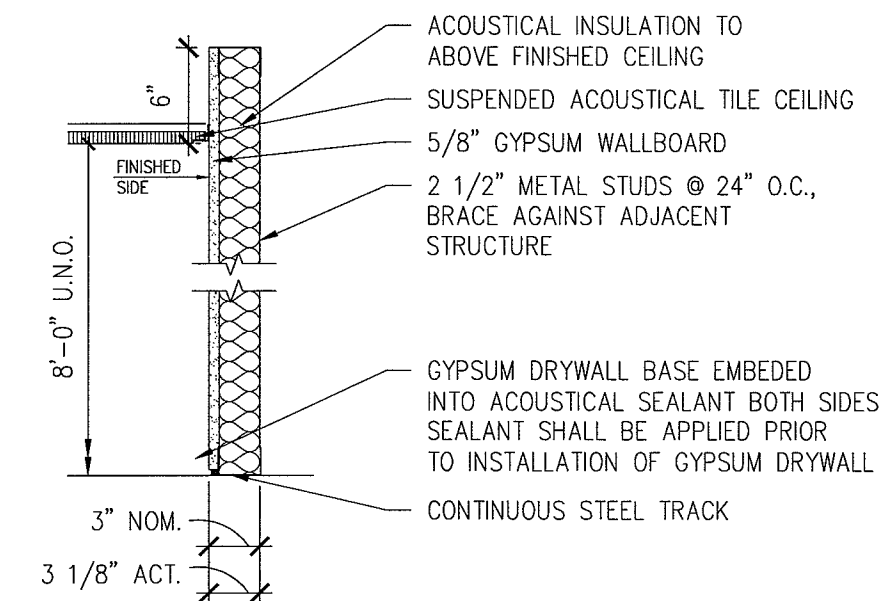
F07-5256.05

Sheet No.

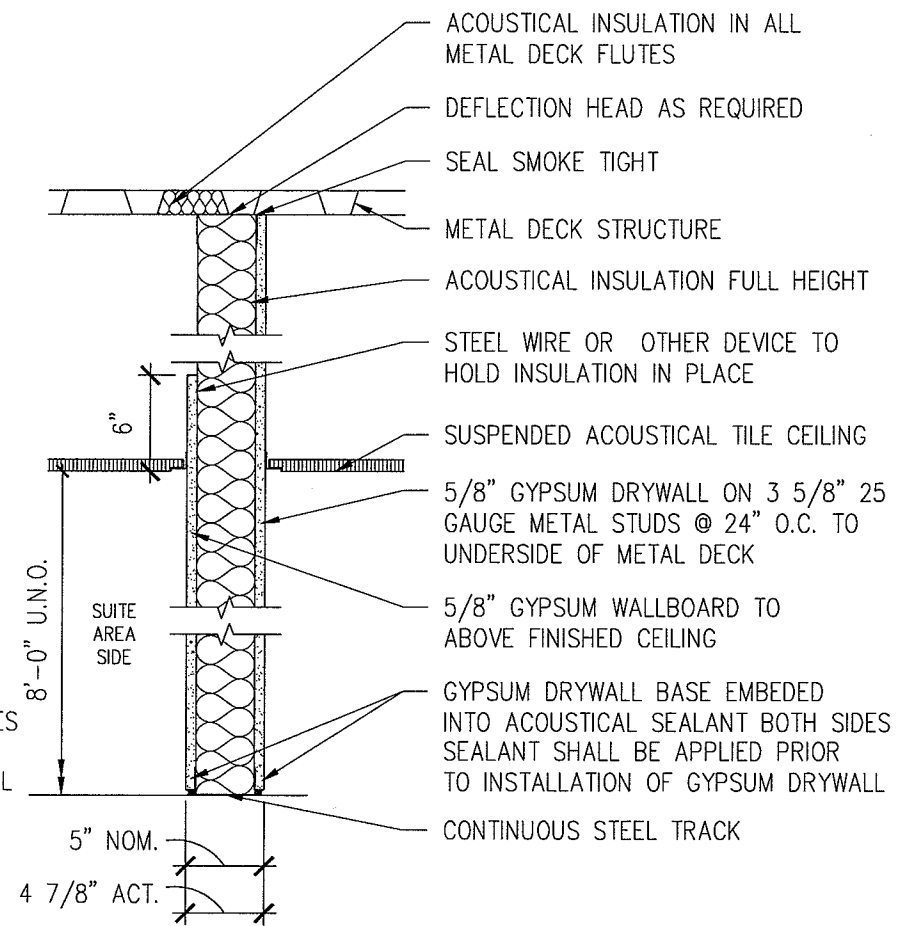
A10.1



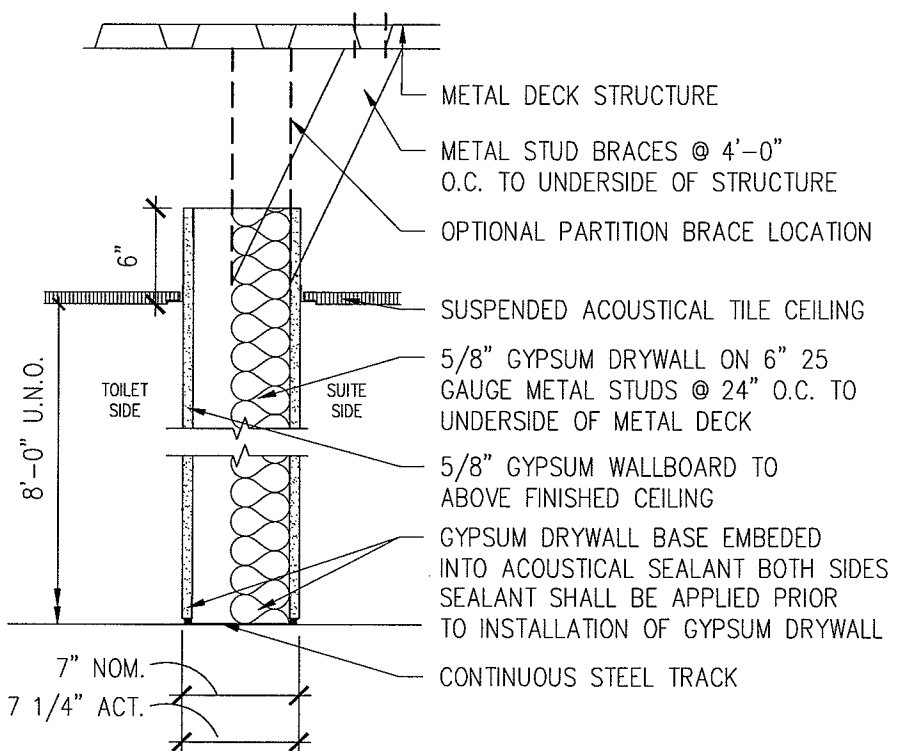
F CEILING HEIGHT INSULATED PARTITION
SCALE: 1" = 1'-0"



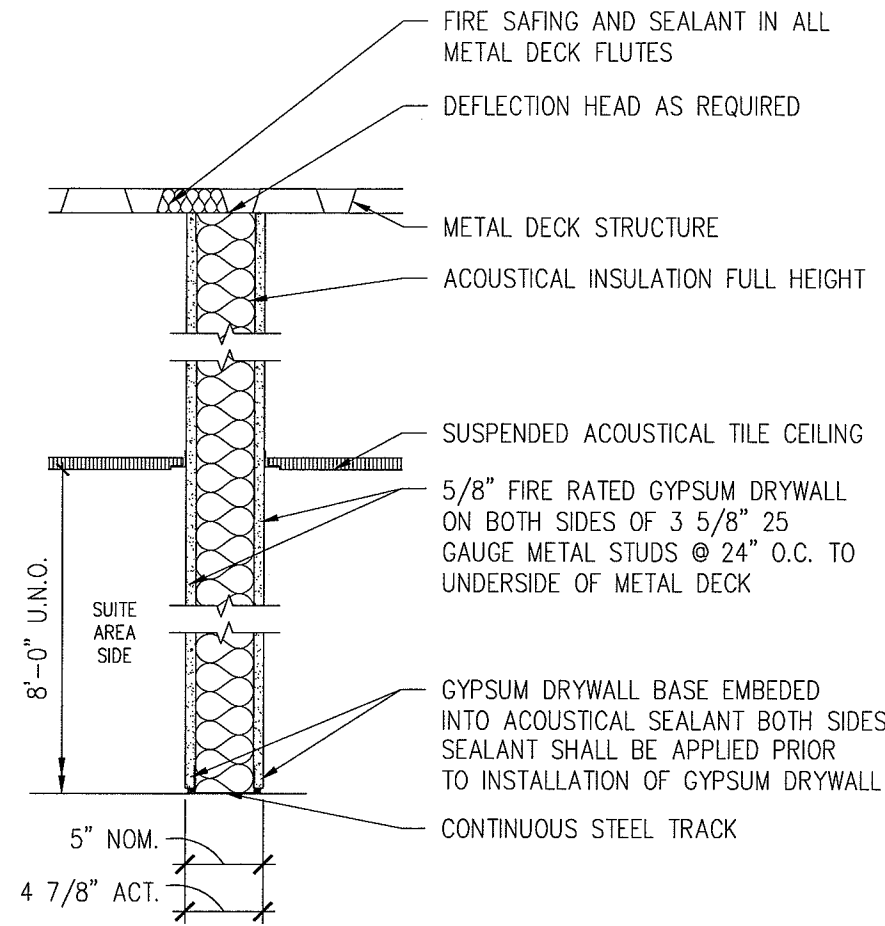
J INSULATED FURRING PARTITION
SCALE: 1" = 1'-0"



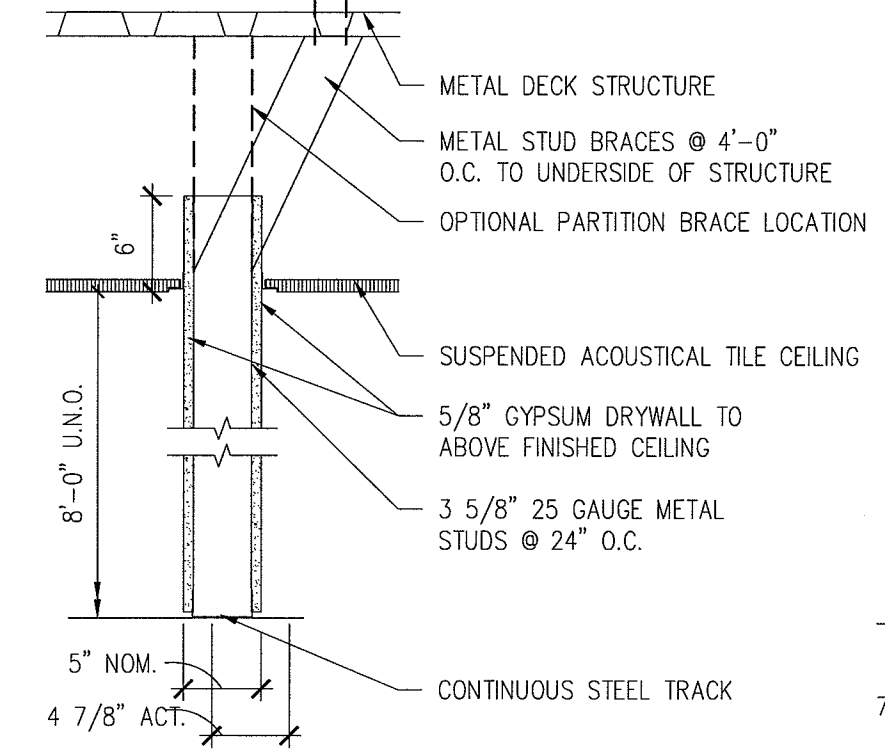
C FULL HEIGHT PARTITION
SCALE: 1" = 1'-0"



H FULL HEIGHT CHASE PARTITION
SCALE: 1" = 1'-0"

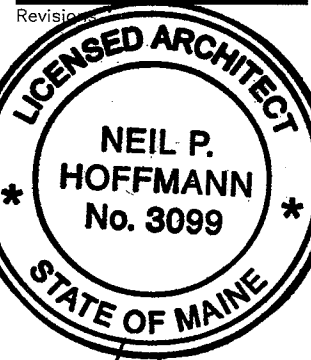
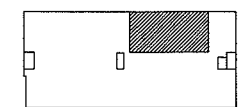


B ONE HOUR RATED PARTITION
SCALE: 1" = 1'-0" MUST MEET UL NO. U465 OR EQUAL



G CEILING HEIGHT PARTITION
SCALE: 1" = 1'-0"

Key Plan



Neil P. Hoffmann

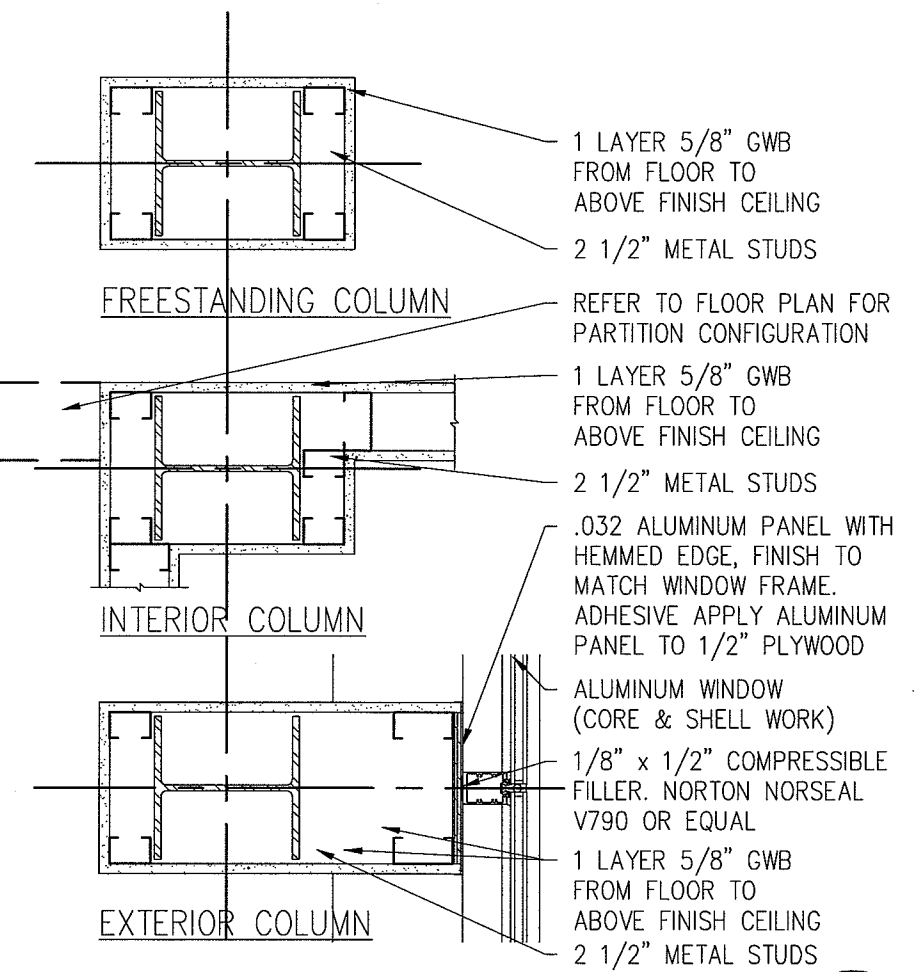
Sheet
**Partition Types
and Details**

Project
**MERCY HOSPITAL
Medical Office Bldg.
Portland, Maine**
"Ideal Me"
Dr. Baskin Suite
Suite 170

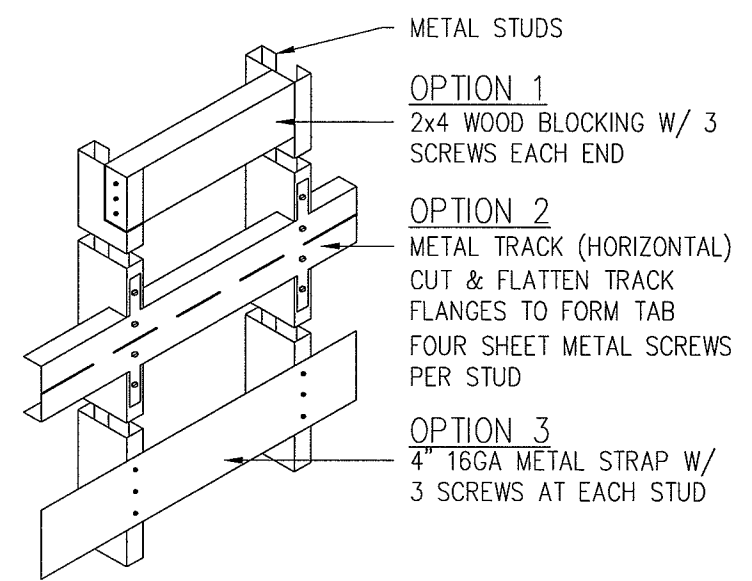
Date
February 28, 2008

Project No.
F07-5256.05

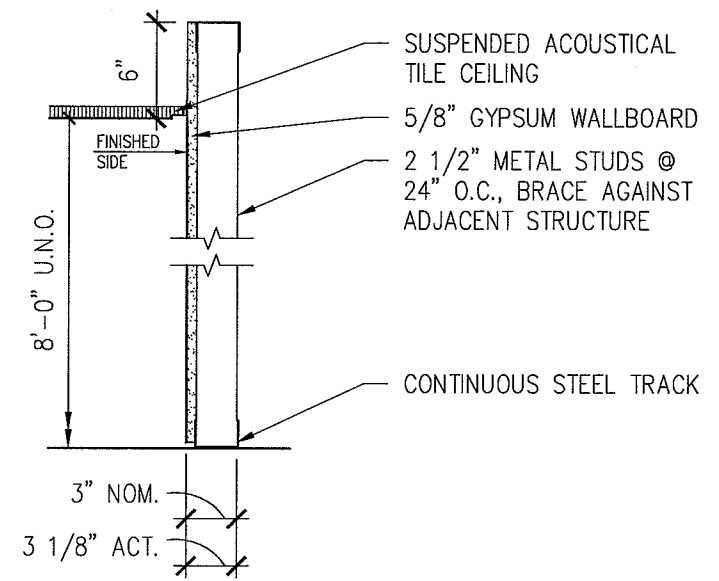
Sheet No.
A10.2



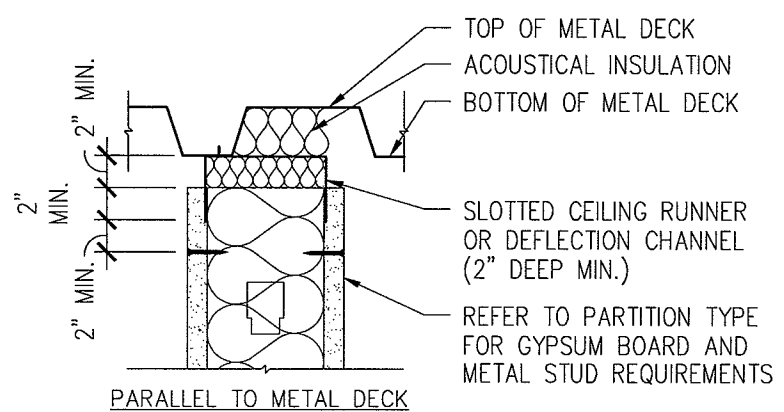
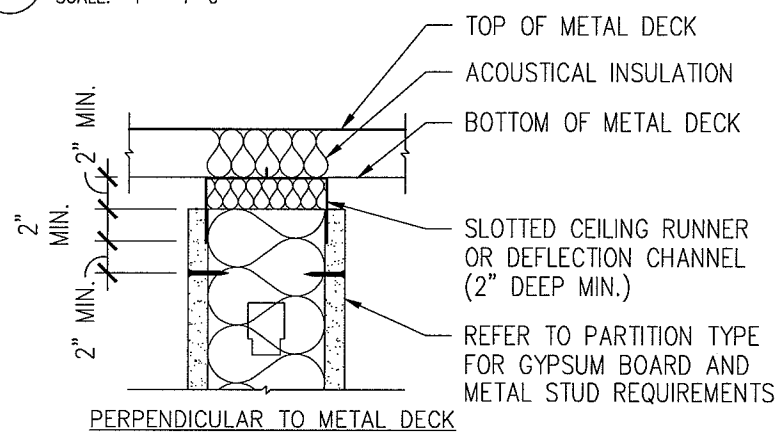
1 COLUMN ENCLOSURE
SCALE: 1" = 1'-0"



6 TYPICAL BLOCKING OPTIONS
SCALE: 1" = 1'-0"

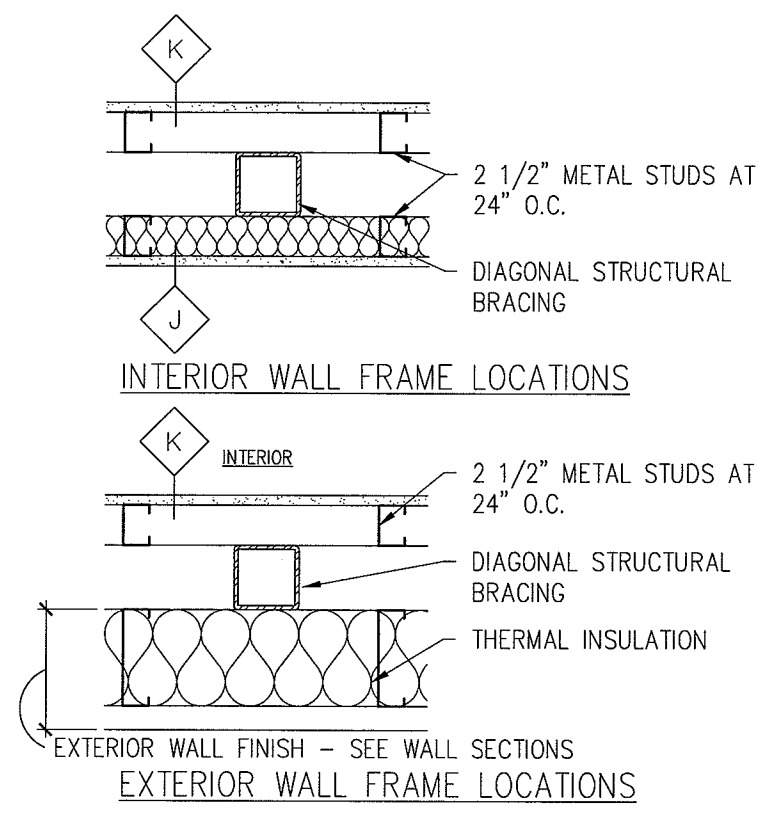


K FURRING PARTITION
SCALE: 1" = 1'-0"



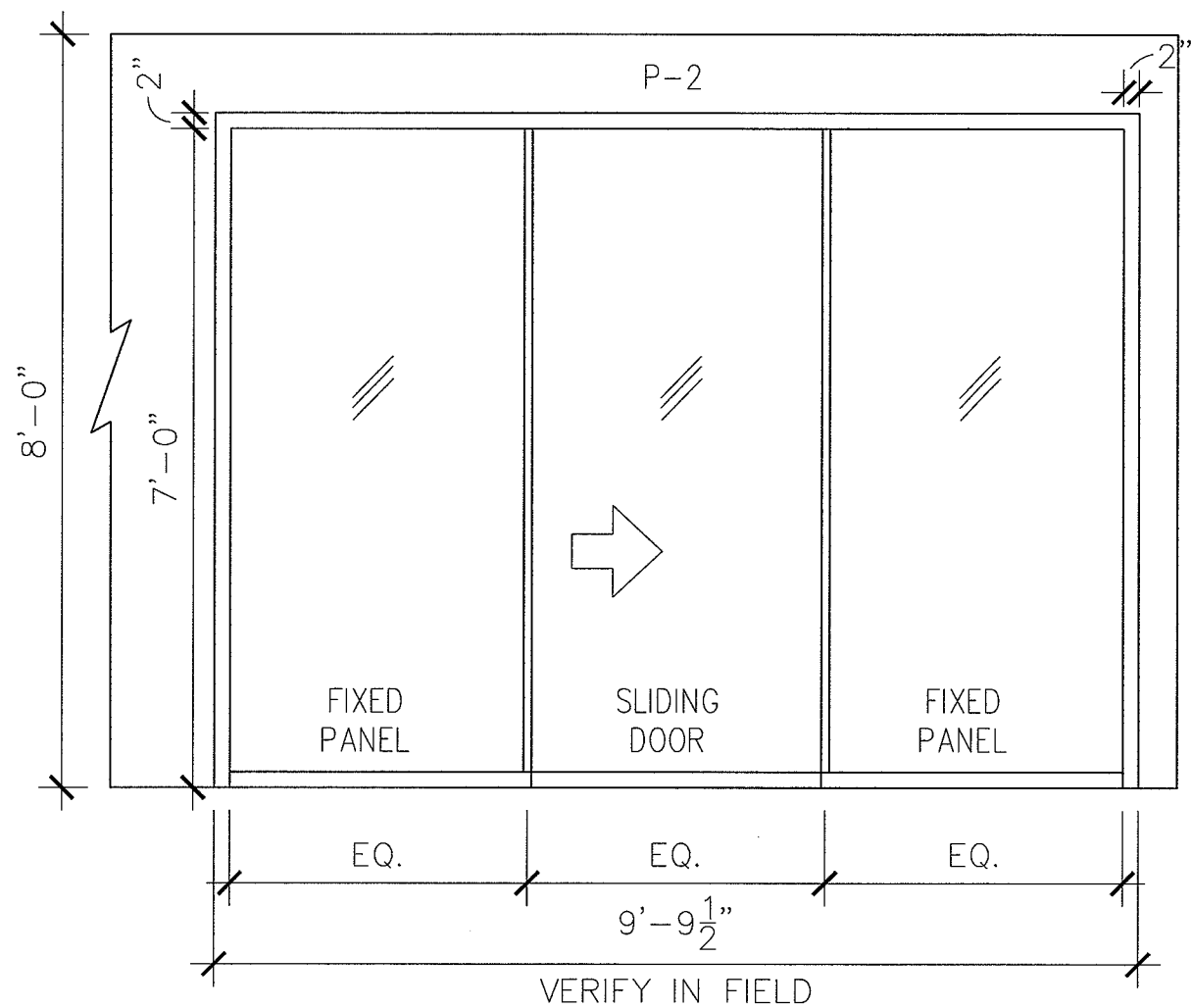
4 NON-RATED DEFLECTION HEAD
SCALE: 1" = 1'-0"

L LEAD LINED INSULATED PARTITION
SCALE: 1" = 1'-0"



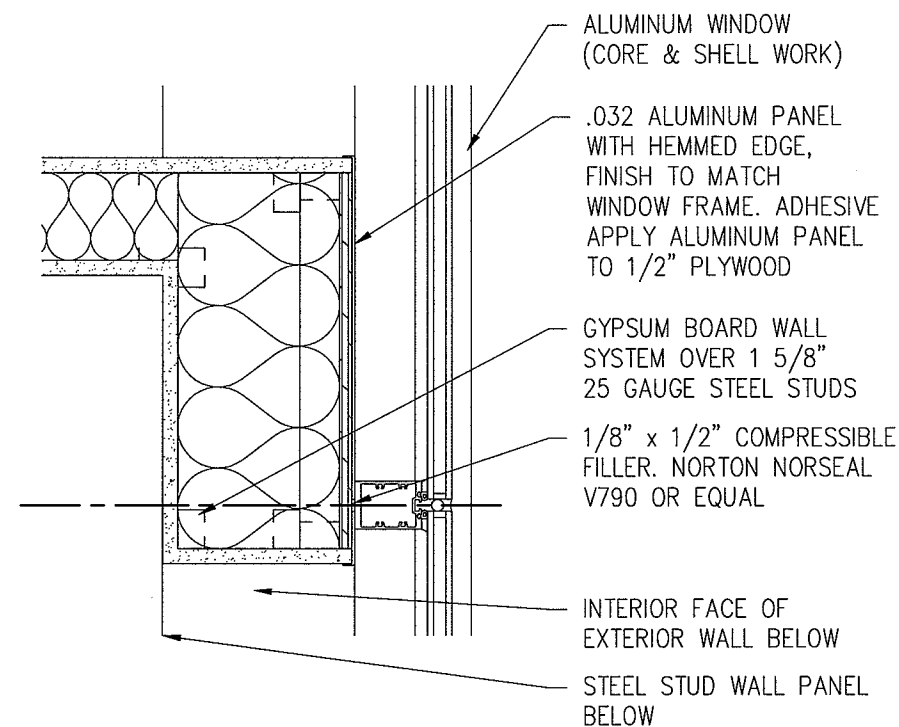
5 FINISH AT STRUCTURE BRACE FRAME
SCALE: 1" = 1'-0"

DETAIL NOT USED

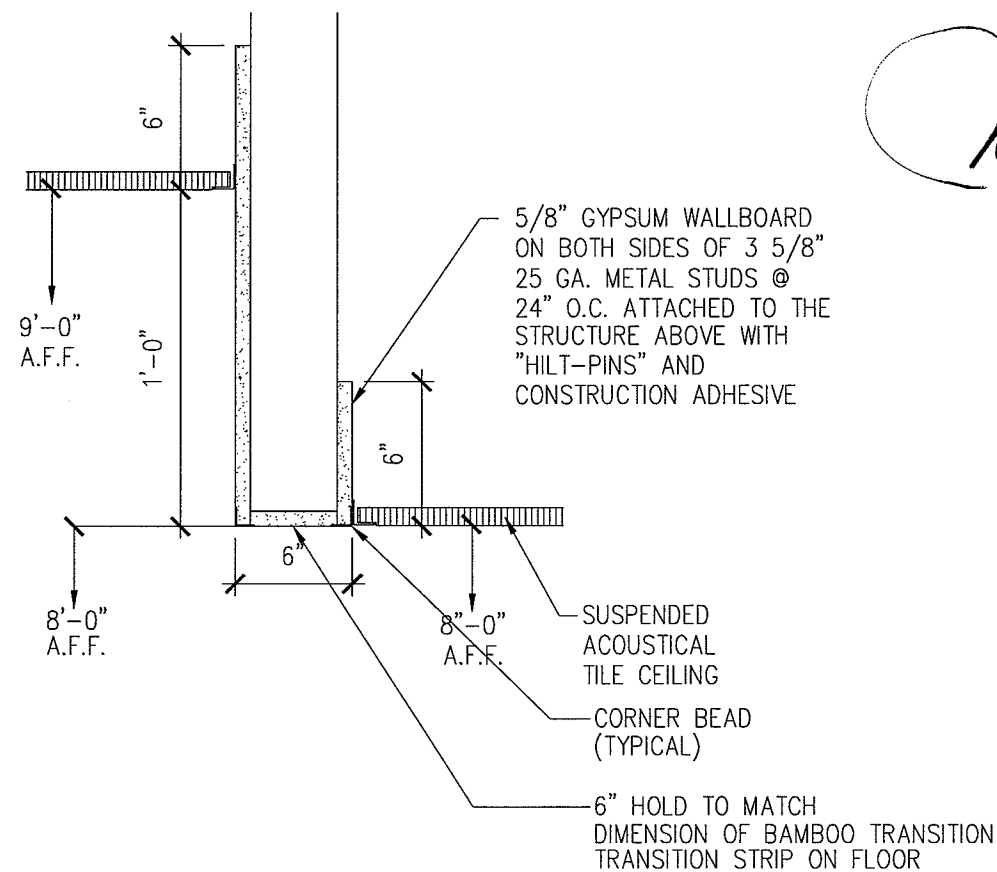


www.slidingdoorco.com
 ROOM DIVIDERS—EARTH LINE—WENGE FINISH
 FROSTED GLASS DOOR AND SIDELIGHTS

3 RELAXATION ROOM — SLIDING DOOR
 SCALE: 1/2" = 1'-0"



1 PARTITION TO MULLION
 SCALE: 1 1/2" = 1'-0"

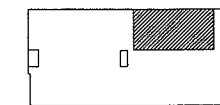


2 DROPPED HEADER
 SCALE: 1 1/2" = 1'-0"

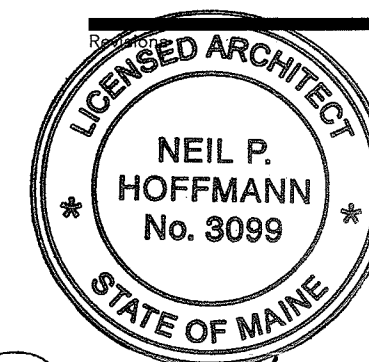
LANDMARK
 HEALTHCARE
 FACILITIES, LLC

839 North Jefferson Street
 Milwaukee, Wisconsin 53202
 Telephone: (414) 277-0500
 Facsimile: (414) 277-1055

Key Plan



NORTH



Neil P. Hoffmann

Sheet

Interior Details

Project

MERCY HOSPITAL
 Medical Office Bldg.
 Portland, Maine

"Ideal Me"
 Dr. Baskin Suite
 Suite 170

Date

February 28, 2008

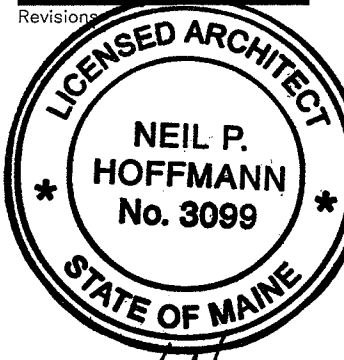
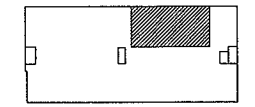
Project No.

F07-5256.05

Sheet No.

A10.3

Key Plan



Revisions
Neil P. Hoffmann

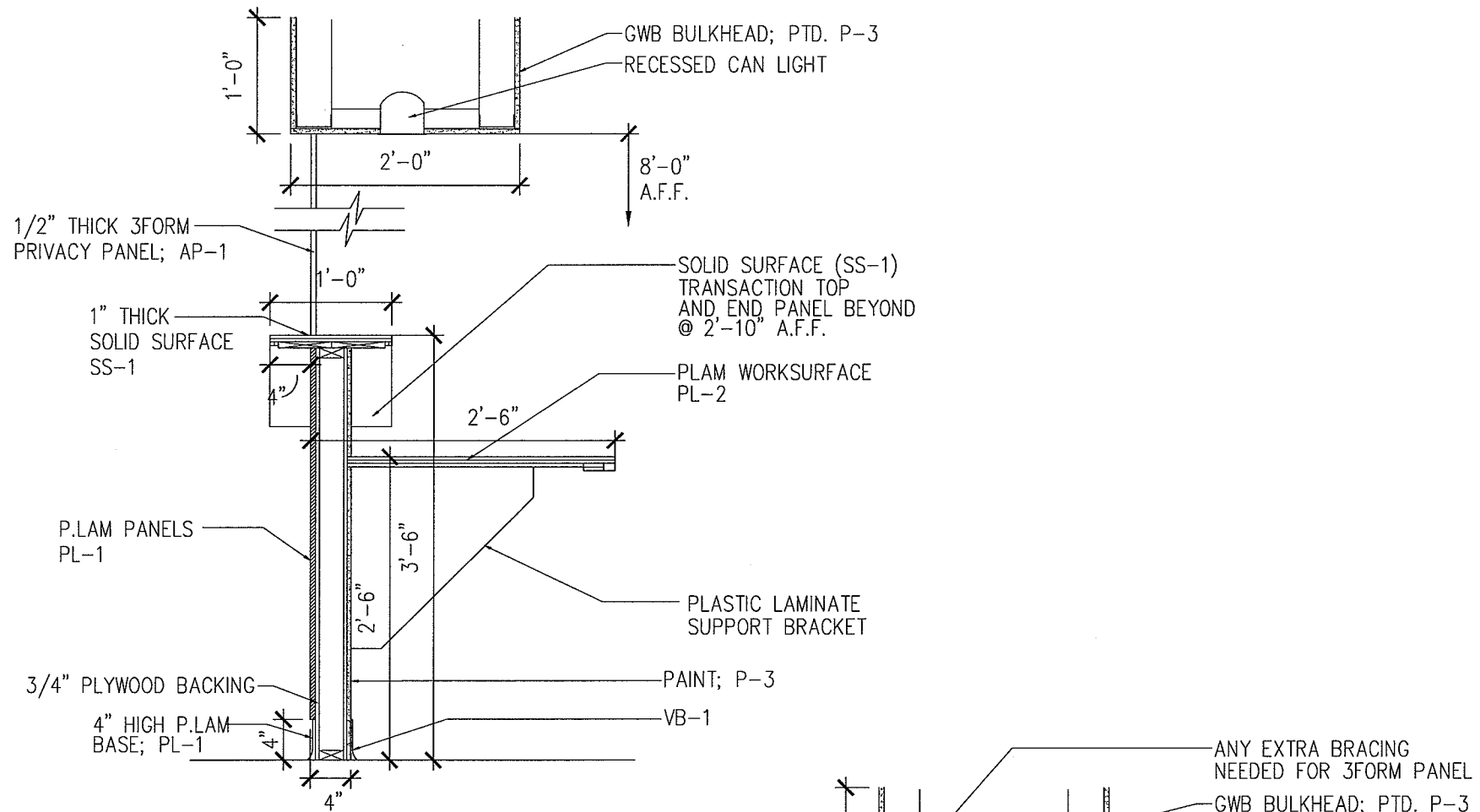
Sheet
Interior Details

Project
**MERCY HOSPITAL
Medical Office Bldg.
Portland, Maine**
"Ideal Me"
Dr. Baskin Suite
Suite 170

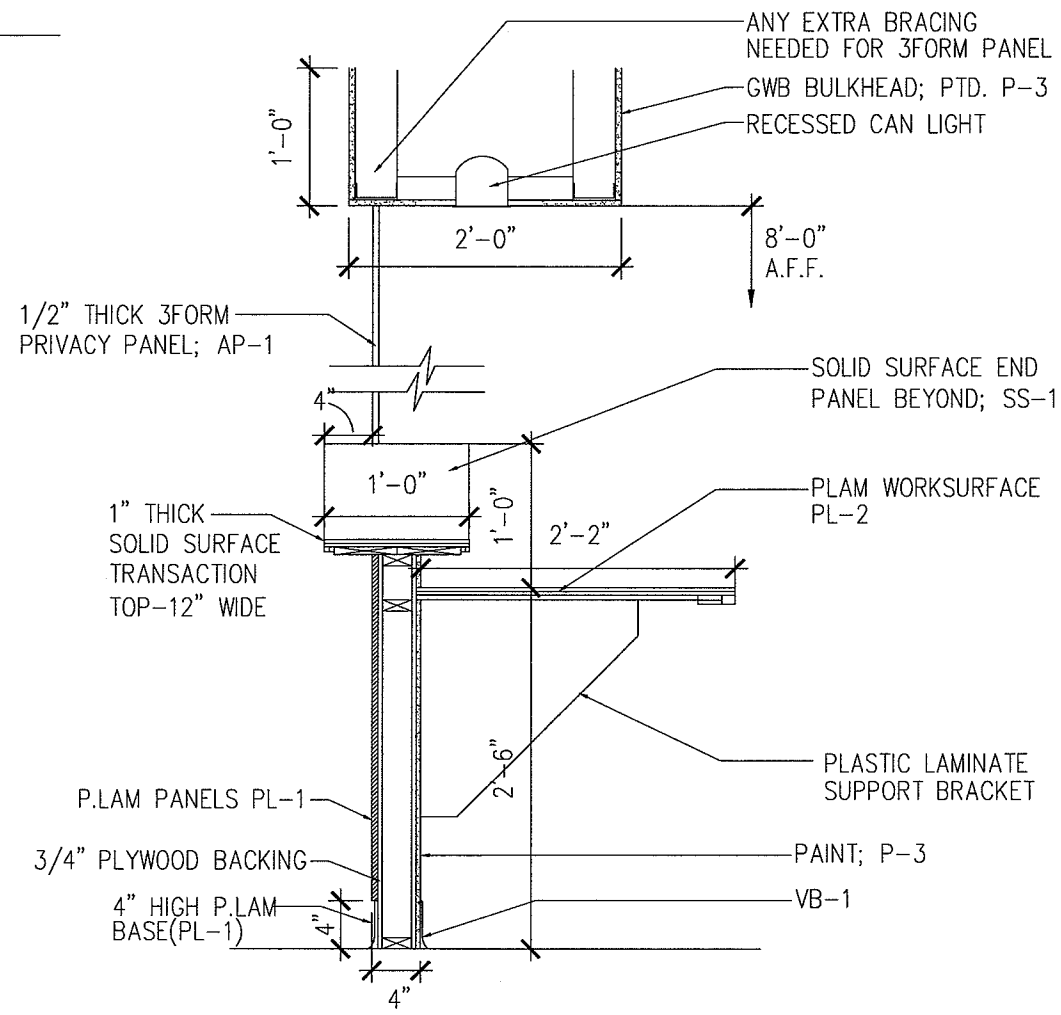
Date
February 28, 2008

Project No.
F07-5256.05

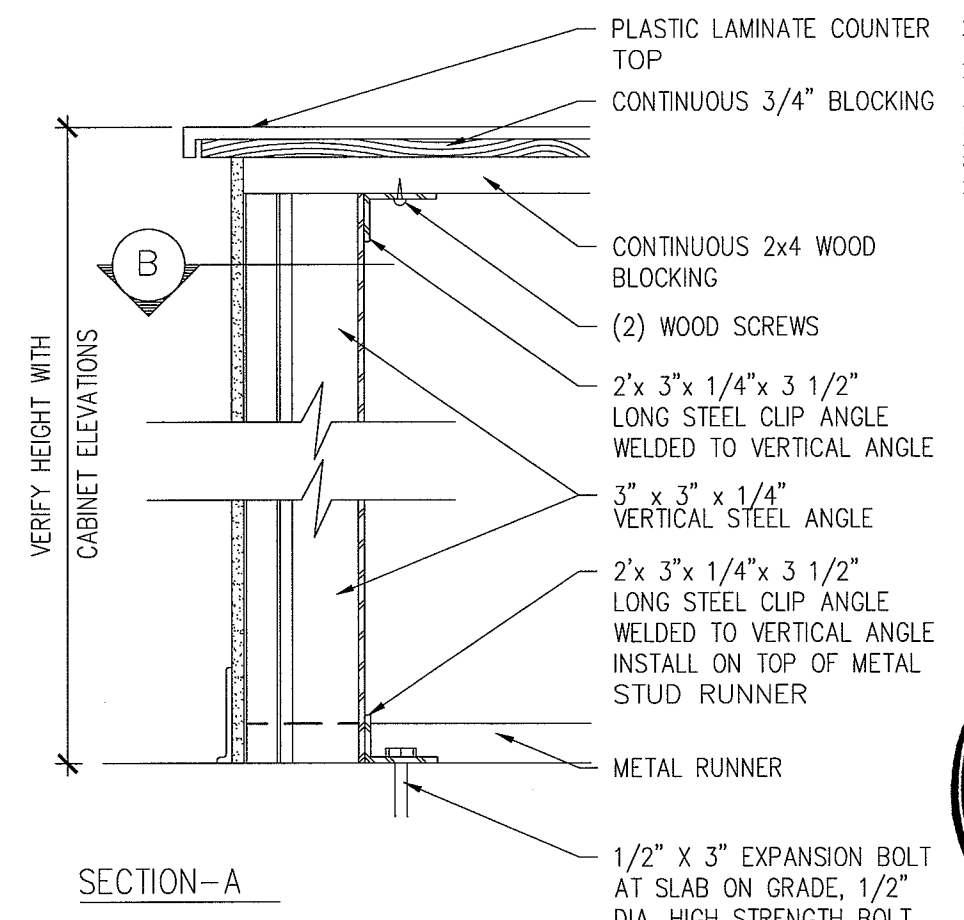
Sheet No.
A10.4



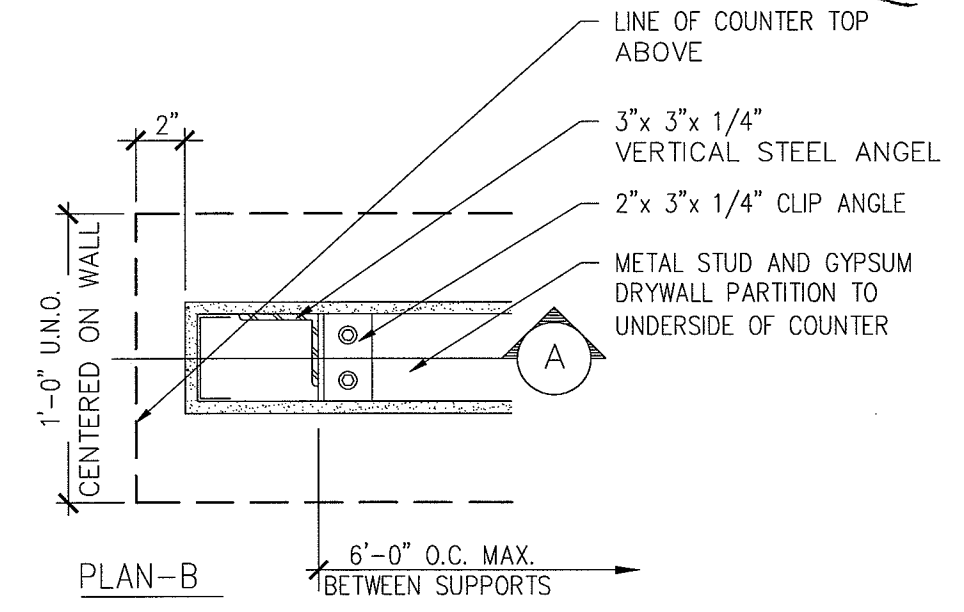
1 RECEPTION COUNTER
SCALE: 3/4" = 1'-0"



2 RECEPTION COUNTER
SCALE: 3/4" = 1'-0"

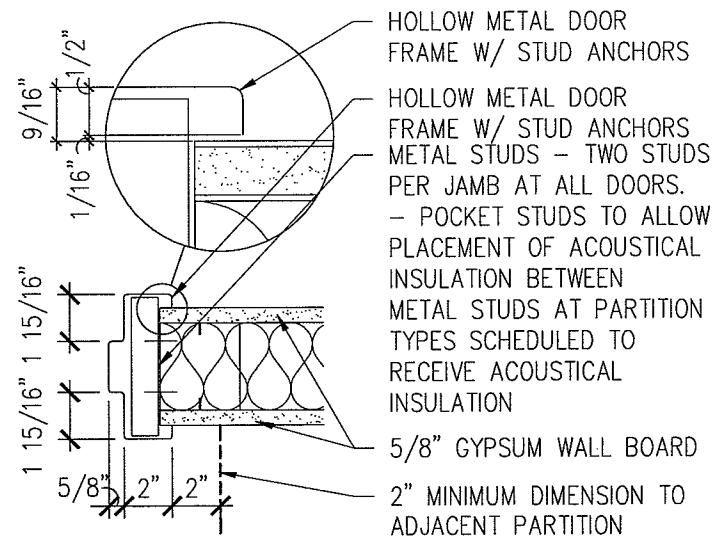


SECTION-A



PLAN-B

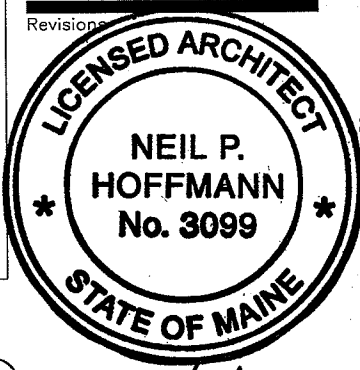
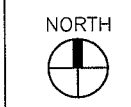
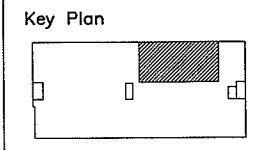
3 WALL BRACE
SCALE: 1 1/2" = 1'-0"



1 DOOR DETAIL
SCALE: 1-1/2" = 1'-0"

DOOR NUMBER	ROOM NAME	DOOR				FRAME			DETAIL	LIGHT	LOUVER	HDWR SET	NOTES
		TYPE	MAT'L	FINISH	SIZE (UNLESS NOTED)	TYPE	MAT'L	FINISH					
1700	CORRIDOR	A	WD	PT	3'-0" x 1-3/4" x 7'-0"	1	HM	PT	1	--	--	A	--
1701	WAITING AREA	A	WD	PT	3'-0" x 1-3/4" x 7'-0"	2	HM	PT	1	Y	--	A	--
1702-1	STORAGE	B	WD	PT	(2) 2'-0" x 1-3/4" x 7'-0"	3	HM	PT	1	--	--	B	--
1702-2	STORAGE	B	WD	PT	(2) 2'-0" x 1-3/4" x 7'-0"	3	HM	PT	1	--	--	B	--
1703	TOILET	A	WD	PT	3'-0" x 1-3/4" x 7'-0"	1	HM	PT	1	--	--	D	HK
1704	RELAXATION ROOM	* SEE DETAIL 3/A1D.3											
1705	MANAGER'S OFFICE	A	WD	PT	3'-0" x 1-3/4" x 7'-0"	1	HM	PT	1	--	--	C	HK
1706	EXAM	A	WD	PT	3'-0" x 1-3/4" x 7'-0"	1	HM	PT	1	--	--	F	HK
1708	EXAM	A	WD	PT	3'-0" x 1-3/4" x 7'-0"	1	HM	PT	1	--	--	F	HK
1709	TOILET	A	WD	PT	3'-0" x 1-3/4" x 7'-0"	1	HM	PT	1	--	--	D	HK
1710	EXAM	A	WD	PT	3'-0" x 1-3/4" x 7'-0"	1	HM	PT	1	--	--	F	HK
1711	STAFF LOUNGE	A	WD	PT	3'-0" x 1-3/4" x 7'-0"	1	HM	PT	1	--	--	F	--
1711A	STORAGE	A	WD	PT	3'-0" x 1-3/4" x 7'-0"	1	HM	PT	1	--	--	B	--
1712	EXAM	A	WD	PT	3'-0" x 1-3/4" x 7'-0"	1	HM	PT	1	--	--	F	HK
1713	PHYSICIAN'S OFFICE	A	WD	PT	3'-0" x 1-3/4" x 7'-0"	1	HM	PT	1	--	--	C	HK
1714	STORAGE	B	WD	PT	(2) 2'-7" x 1-3/4" x 7'-0"	3	HM	PT	1	--	--	B	--

LANDMARK HEALTHCARE FACILITIES, LLC
 839 North Jefferson Street
 Milwaukee, Wisconsin 53202
 Telephone: (414) 277-0500
 Facsimile: (414) 277-1055



Neil P. Hoffmann

Sheet
Door Schedule and Details

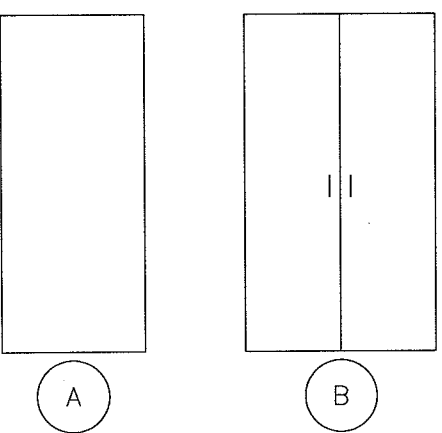
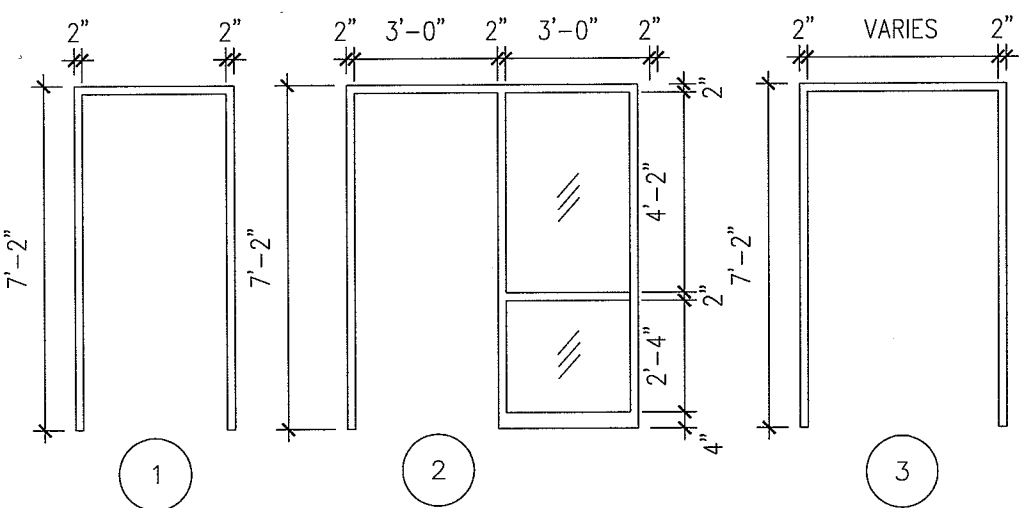
Project
**MERCY HOSPITAL
 Medical Office Bldg.
 Portland, Maine**

"Ideal Me"
**Dr. Baskin Suite
 Suite 170**

Date
February 28, 2008

Project No.
F07-5256.05

Sheet No.
A11.1



2 DOOR AND FRAME TYPES
 SCALE: 1/4" = 1'-0"

DOOR HARDWARE SETS	
HARDWARE SET A (SUITE ENTRY)	
(1) SUITE ENTRANCE LOCKSET	
(1 1/2) PR - BALL BEARING BUTT HINGES	
(1) FLOOR STOP	
(1) CLOSER	
HARDWARE SET B (FILE, STOR., LAB., MED.)	
(1) STORAGE LOCK SET	
(1 1/2) PR - STANDARD BUTT HINGES	
(1) WALL OR FLOOR STOP	
HARDWARE SET C (RECEPTION, PHYSICIAN OFFICE.)	
(1) OFFICE LOCK SET	
(1 1/2) PR - STANDARD BUTT HINGES	
(1) WALL OR FLOOR STOP	
HARDWARE SET D (OFFICE, TOILET, WAITING)	
(1) PRIVACY LOCK SET	
(1 1/2) PR - STANDARD BUTT HINGES	
(1) WALL OR FLOOR STOP	
HARDWARE SET F (EXAM, SPECIAL PROCEDURE, CLOSET)	
(1) PASSAGE SET	
(1 1/2) PR - STANDARD BUTT HINGES	
(1) WALL OR FLOOR STOP	

ABBREVIATIONS LEGEND:	
PL	PLASTIC LAMINATE
PT	PAINT
HM	HOLLOW METAL
AL	ALUMINUM
PREF	PREFINISHED
WD	WOOD
CH	DULL CHROME FINISH
HK	COAT HOOK

GENERAL NOTES	
1. HOLLOW METAL DOOR AND WINDOW FRAMES IN CORRIDOR WALLS SHALL BE PAINTED TO MATCH SHELL AND CORE HOLLOW METAL FRAMES.	
2. ALL OTHER HOLLOW METAL DOOR AND WINDOW FRAMES IN TENANT SUITE SHALL BE PAINTED TO MATCH RUBBER BASE COLOR.	
3. PROVIDE COAT HOOK MOUNTED AT 3'-4" ABOVE FINISHED FLOOR. MAX. HEIGHT IS 48"	

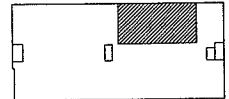
FURNISHINGS, FIXTURES AND EQUIPMENT SCHEDULE

ROOM NO.	ITEM NO.	EQUIPMENT NAME	ROOM LOCATION	SIZE	FURNISHED BY	INSTALLED BY	ROUGH-IN ONLY BY CONTRACTOR	EQUIPMENT BOOK	NOTES
1711	E.01	REFRIGERATOR	STAFF LOUNGE	23-3/4"W X 59-3/4"H	OWNER	CONTRACTOR	-	-	-
1701	E.02	PHOTO IMAGE MACHINE	WAITING AREA	20"X18"	OWNER	OWNER	-	-	-
1701	E.03	WATER COOLER	NOURISHMENT AREA	-	OWNER	OWNER	-	-	-
1711	E.04	DISH WASHER	STAFF LOUNGE	-	OWNER	CONTRACTOR	-	-	-
1711	E.05	MICROWAVE	STAFF LOUNGE	-	OWNER	OWNER	-	-	-
1707	E.06	U.C. REFRIGERATOR	NURSE WORK	-	OWNER	OWNER	-	-	-
-	E.000	-	-	-	-	-	-	-	-
-	E.000	-	-	-	-	-	-	-	-
-	E.000	-	-	-	-	-	-	-	-
-	E.000	-	-	-	-	-	-	-	-

LANDMARK HEALTHCARE FACILITIES, LLC

839 North Jefferson Street
 Milwaukee, Wisconsin 53202
 Telephone: (414) 277-0500
 Facsimile: (414) 277-1055

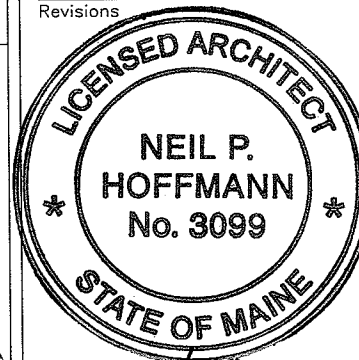
Key Plan



NORTH



Revisions



Neil P. Hoffmann

Sheet
Equipment by Tenant Schedule

GENERAL NOTES

1. ALL CONSTRUCTION SHALL BE COORDINATED WITH REQUIREMENTS OF THE TENANT'S FURNISHINGS, FIXTURES AND EQUIPMENT.
2. INFORMATION CONTAINED IN THESE DOCUMENTS IS FOR REFERENCE ONLY.
3. ALL FREESTANDING FURNITURE AND EQUIPMENT TO BE PROVIDED BY TENANT. FREESTANDING FURNITURE SHOWN FOR REFERENCE ONLY.

Project
**MERCY HOSPITAL
 Medical Office Bldg.
 Portland, Maine**

**"Ideal Me"
 Dr. Baskin Suite
 Suite 170**

Date
February 28, 2008

Project No.
F07-5256.05

Sheet No.
A11.2

HVAC BASIC DUCTWORK SYMBOLS

(NOT ALL SYMBOLS ARE NECESSARILY USED ON THIS PROJECT)

	SINGLE LINE DUCTWORK OR EQUIPMENT - NEW
	SINGLE LINE DUCTWORK OR EQUIPMENT - EXISTING
	DUCTWORK TO BE REMOVED
	DUCTWORK WITH ACOUSTIC LINING
	DUCT UNDER POSITIVE PRESSURE (SUPPLY AIR OR FAN DISCHARGE)
	DUCT UNDER NEGATIVE PRESSURE (RETURN, EXHAUST OR OUTSIDE AIR)
	VOLUME DAMPER
	FIRE DAMPER AND ACCESS DOOR
	BACK DRAFT DAMPER
	COMBINATION SMOKE & FIRE DAMPER W/ACCESS DOOR
	AUTOMATIC DAMPER
	AUTOMATIC SMOKE DAMPER
	CENTER LINE
	CUBIC FEET PER MINUTE
	DIAMETER
	SQUARE FEET
	POINT OF CONNECTION
	POINT OF DISCONNECTION
	RECTANGULAR CEILING DIFFUSER WITH 12" X 12" NECK 400 CFM SUPPLY AIR
	TYPE A CEILING DIFFUSER 400 CFM SUPPLY AIR
	10" BY 8" CEILING REGISTER (CEILING GRILLE) 300 CFM RETURN AIR
	RECTANGULAR DIFFUSER WITH BLANKING PLATE

	VANED ELBOW (SEE DETAIL) OR RADIUS ELBOW
	FLEXIBLE DUCT
	SLOTTED LINEAR DIFFUSER WITH PLENUM
	VAV BOX TYPE A
	VAV BOX TYPE A WITH REHEAT COIL
	THERMOSTAT

HVAC ABBREVIATIONS

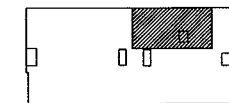
(NOT ALL ABBREV. ARE NECESSARILY USED ON THIS PROJECT)

AD	ACCESS DOOR	EWB	ENTERING WET BULB
AFF	ABOVE FINISHED FLOOR	EWT	ENTERING WATER TEMPERATURE
AHU	AIR HANDLING UNIT	EXH	EXHAUST
BHP	BRAKE HORSEPOWER	*F	DEGREES FAHRENHEIT
BTU	BRITISH THERMAL UNIT	FA	FREE AREA (SQ.FT.)
BTUH	BTU PER HOUR	FC	FLEXIBLE CONNECTION
CD	CEILING DIFFUSER	FD	FIRE DAMPER
CFM	CUBIC FEET PER MINUTE	FLA	FULL LOAD AMPERES
CG	CEILING GRILLE	FPM	FEET PER MINUTE
CLG	CEILING	GAL	GALLON
CR	CEILING REGISTER	GPH	GALLONS PER HOUR
CV	CONSTANT VOLUME	GPM	GALLONS PER MINUTE
DB	DRY BULB	HT	HEIGHT
DMPR	DAMPER	HZ	FREQUENCY
DX	DIRECT EXPANSION	IN	INCH OR INCHES
(E)	EXISTING TO REMAIN	LAT	LEAVING AIR TEMPERATURE
(ER)	EXISTING TO BE REMOVED	LD	LINEAR DIFFUSER
(ERR)	EXISTING TO BE REMOVED & RELOCATED	LWB	LEAVING WET BULB TEMPERATURE
EAT	ENTERING AIR TEMPERATURE	LWT	LEAVING WATER TEMPERATURE
EDB	ENTERING DRY BULB TEMPERATURE	MBH	THOUSAND BTU PER HOUR
EF	EXHAUST FAN	MIN	MINIMUM
EL	ELEVATION	(N)	NEW
		NIC	NOT IN CONTRACT
		NO.	NUMBER
		NTS	NOT TO SCALE
		OA	OUTSIDE AIR
		OAI	OUTSIDE AIR INTAKE
		OED	OPEN END DUCT
		RA	RETURN AIR
		(RE)	RELOCATED EXISTING
		RF	RETURN FAN
		RH	RELATIVE HUMIDITY
		RHC	REHEAT COIL
		RPM	REVOLUTIONS PER MINUTE
		SA	SUPPLY AIR
		SD	SMOKE DAMPER
		SP	STATIC PRESSURE
		TEMP	TEMPERATURE
		TYP	TYPICAL
		UH	UNIT HEATER
		VAV	VARIABLE AIR VOLUME UNIT
		w/	WITH
		WMS	WIRE MESH SCREEN

LANDMARK HEALTHCARE FACILITIES, LLC

839 North Jefferson Street
Milwaukee, Wisconsin 53202
Telephone: (414) 277-0500
Facsimile: (414) 277-1055

Key Plan



NORTH



Revisions

AKF

engineers

1500 WALNUT STREET, SUITE 1400
PHILADELPHIA, PA 19102
215.735.7290 TEL. 215.735.6706 FAX
AKF PROJ. NO. P060106-G

ARLINGTON - BOSTON - NEW YORK - PHILADELPHIA
PRINCETON - STAMFORD - MEXICO CITY

Sheet

HVAC Cover Sheet

Project

MERCY HOSPITAL
Medical Office Bldg.
Portland, Maine

"Ideal Me"
Dr. Baskin Suite
Suite 170

Date

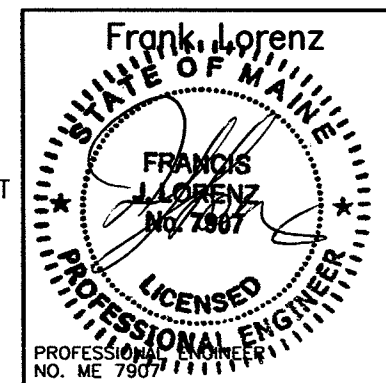
February 29, 2008

Project No.

F07-5256.06

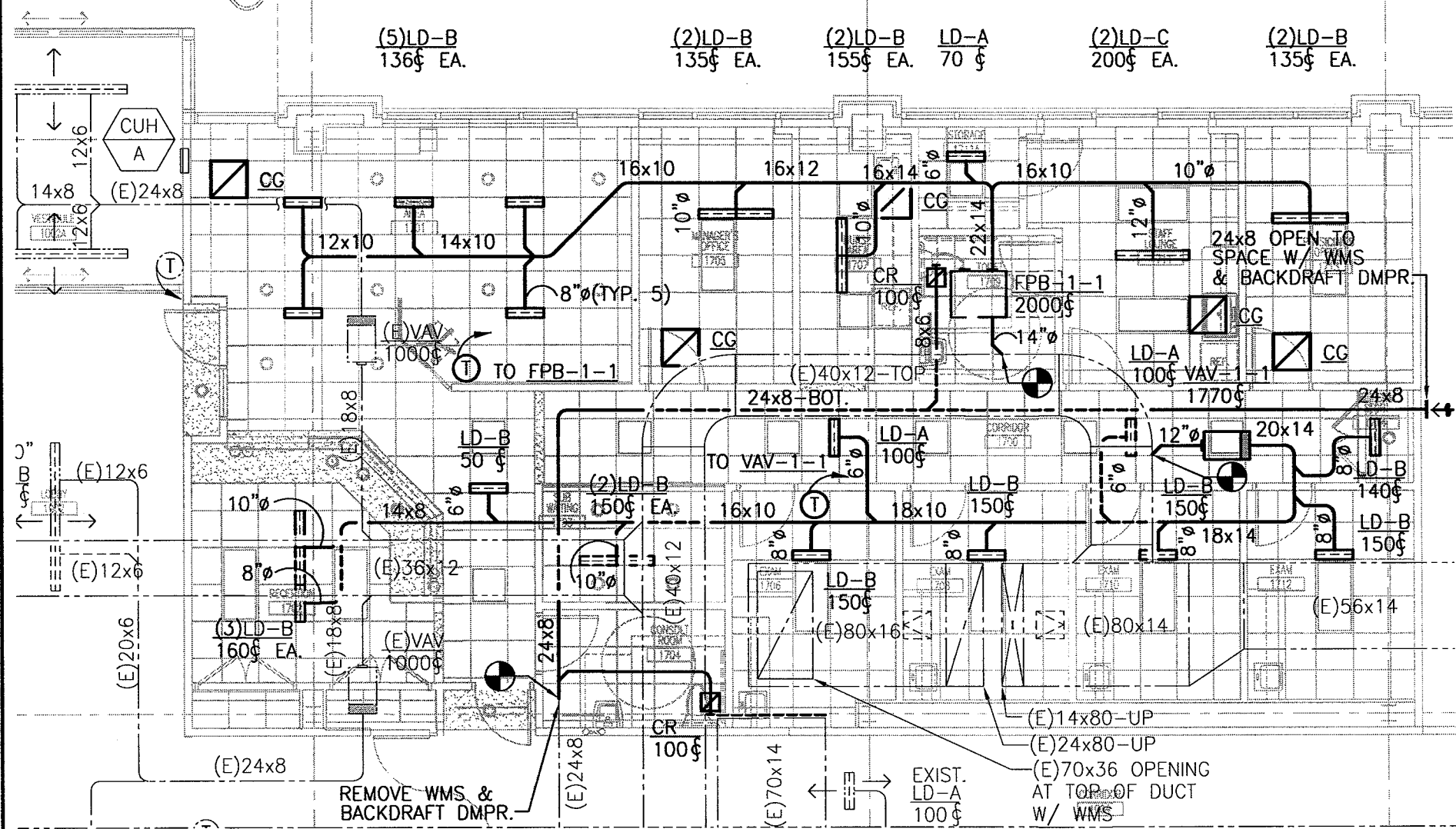
Sheet No.

H-1.0



ISSUED FOR CONSTRUCTION

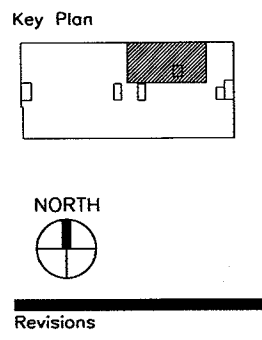
P:\P060000\P060106-G - Landmark Mercy - Ideal Me - Dr. Baskin Drawings\Hvac\P060106-G.H-2.0.dwg 02/28/08 9:08 AM tbiancha



1 FLOOR PLAN
SCALE: 1/8"=1'-0"

(5)LD-B 136¢ EA. (2)LD-B 135¢ EA. (2)LD-B 155¢ EA. LD-A 70 ¢ (2)LD-C 200¢ EA. (2)LD-B 135¢ EA.

LANDMARK HEALTHCARE FACILITIES, LLC
839 North Jefferson Street
Milwaukee, Wisconsin 53202
Telephone: (414) 277-0500
Facsimile: (414) 277-1055



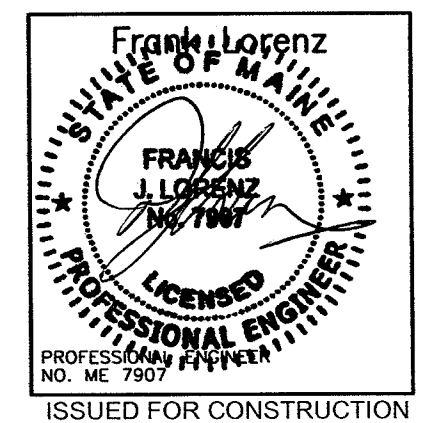
AKF
engineers
1500 WALNUT STREET, SUITE 1400
PHILADELPHIA, PA 19102
215.735.7290 TEL. 215.735.6706 FAX
AKF PROJ. NO. P060106-G
ARLINGTON - BOSTON - NEW YORK - PHILADELPHIA
PRINCETON - STAMFORD - MEXICO CITY

Sheet
Hvac
Floor Plan

Project
MERCY HOSPITAL
Medical Office Bldg.
Portland, Maine
"Ideal Me"
Dr. Baskin Suite
Suite 170

Date
February 29, 2008
Project No.
F07-5256.06

Sheet No.
H-2.0



SERIES FAN POWERED TERMINAL UNIT SCHEDULE

DESIGNATION	INLET SIZE	INDUCTION OPENING (WxH)	FILTER		DISCHARGE DUCT OPENING (WxH)	PERFORMANCE DATA		AIR DATA			FAN DATA		
			SIZE	EFFICIENCY		MIN. Δ SP	CFM @ MIN. Δ SP	MAX. PRIMARY CFM	MIN. PRIMARY CFM	MAX. RETURN CFM	CFM	EXT. SP (IN. W.G.)	FAN TYPE
FPB-1-1	14	12x18.25	14x18	30%	16.5x14.63	0.5	2000	2000	0	2000	2000	0.5	CENTRIF

SERIES FAN POWERED TERMINAL UNIT SCHEDULE (CONT.)

BASED ON: TITUS

DESIGNATION	MOTOR DATA					ELECTRIC HEATING COIL DATA						TYPE OF CONTROLS	MANUF. MODEL #	REMARKS	
	MOTOR HP	FLA	ELECTRICAL DATA			MBH	KW INPUT	VOLTS	PHASE	HZ	FULL-LOAD AMPERES				No. OF STEPS (STAGES)
			VOLTS	PHASE	HZ										
FPB-1-1	1/3	3.0	480	3	60	43.2	12.7	480	3	60	15.2	3	DDC	DTFS	-

TERMINAL BOX SCHEDULE

DESIGNATION	BOX TYPE	BOX SIZE (INLET SIZE)	AIRFLOW RANGE (CFM)		ELECTRIC HEATING COIL DATA							LOWEST MINIMUM HEATING CFM SETTING	MINIMUM STATIC PRESSURE ΔPS (IN W.G.)	DISCHARGE SOUND LEVEL AT MAX. CFM & Δ PS=1" (NC)
			MIN.	MAX.	MBH	KW INPUT	VOLTS	PHASE	HZ	FULL-LOAD AMPERES	No. OF STEPS (STAGES)			
VAV-1-1	VAV	12	0	1770	38.2	11.2	480	3	60	13.5	3	425	0.5	26

DIFFUSER SCHEDULE

BASED ON: TITUS

UNIT NO.	CFM RANGE	SERVICE	TYPE	NECK SIZE (IN.)	FACE OVERALL DIMENSIONS WxL (IN.)	BASIS OF DESIGN
LD-A	0-100	SUPPLY	LAY-IN	2-SLOT	3.75"WD. x 2'-0"	TITUS ML-38
LD-B	101-180 CFM	SUPPLY	LAY-IN	3-SLOT	5.25"WD. x 2'-0"	TITUS ML-38
LD-C	181-230 CFM	SUPPLY	LAY-IN	4-SLOT	6.75"WD. x 2'-0"	TITUS ML-38
CR	0-150	EXH	LAY-IN	6"Ø	12x12	TITUS PAR
CR	151-200	EXH	LAY-IN	6"Ø	24x24	TITUS PAR
CR	201-300	EXH	LAY-IN	8"Ø	24x24	TITUS PAR
CG	0-1500	RET	LAY-IN	22x22	24x24	TITUS PAR

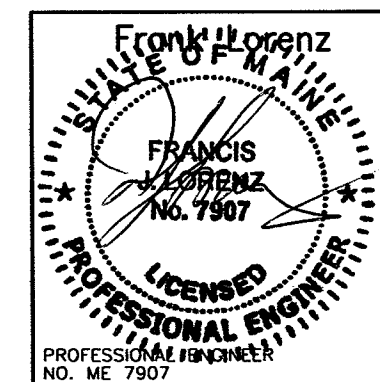
NOTES:

- NOT ALL DIFFUSER AND REGISTER TYPES ARE NECESSARILY USED. REFER TO PLANS.
- LINEAR DIFFUSERS INSTALLED IN GYP BOARD WALLS OR CEILINGS TO COME WITH OPPOSED BLADE DAMPERS ACCESSIBLE FROM FACE OF DIFFUSER.
- LINEAR DIFFUSERS TO COME COMPLETE WITH MATCHING PLENUM MP-38.

TERMINAL BOX SCHEDULE (CONT.)

BASED ON: TITUS

DESIGNATION	RADIATED SOUND LEVEL AT MAX. CFM & Δ PS=1" (NC)	TYPE OF CONTROLS	MANUF. MODEL #	REMARKS
VAV-1-1	31	DDC	DESV	-

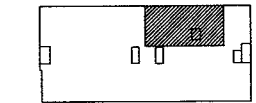


ISSUED FOR CONSTRUCTION

LANDMARK HEALTHCARE FACILITIES, LLC

839 North Jefferson Street
Milwaukee, Wisconsin 53202
Telephone: (414) 277-0500
Facsimile: (414) 277-1055

Key Plan



NORTH



Revisions

AKF
engineers

1500 WALNUT STREET, SUITE 1400
PHILADELPHIA, PA 19102
215.735.7290 TEL. 215.735.6706 FAX
AKF PROJ. NO. P060106-G

ARLINGTON - BOSTON - NEW YORK - PHILADELPHIA
PRINCETON - STAMFORD - MEXICO CITY

Sheet

HVAC Schedules

Project

**MERCY HOSPITAL
Medical Office Bldg.
Portland, Maine**

"Ideal Me"
Dr. Baskin Suite
Suite 170

Date

February 29, 2008

Project No.

F07-5256.06

Sheet No.

H-3.0

P:\P060000\P060106-G - Landmark Mercy - Ideal Me - Dr. Baskin Drawings\Hvac\P060106-G-H-3.0.dwg 02/28/08 9:08 AM tbiancha

ELECTRICAL SYMBOLS LIST

(NOT ALL SYMBOLS ARE NECESSARILY USED ON THIS PROJECT)

A,a 2'x4'/2'x2'/1'x4' FLUORESCENT CEILING MOUNTED FIXTURE
'A' = FIXTURE TYPE
'a' = CONTROLLED BY SWITCH 'a'

A,a SIMILAR TO ABOVE WITH EMERGENCY BACKUP
'A' = FIXTURE TYPE
'a' = CONTROLLED BY SWITCH 'a'

'A'
o CEILING MOUNTED FIXTURE
'A' = FIXTURE TYPE
'a' = CONTROLLED BY SWITCH 'a'

'A'
o SIMILAR TO ABOVE WITH EMERGENCY BACKUP
'A' = FIXTURE TYPE
'a' = CONTROLLED BY SWITCH 'a'

'A'
o CEILING MOUNTED EXIT LIGHT - DIRECTIONAL
ARROWS WHERE INDICATED - SHADED AREAS INDICATE
ILLUMINATED FACE/FACES
'A' = FIXTURE TYPE

'A'
o WALL MOUNTED EXIT LIGHT - DIRECTIONAL
ARROWS WHERE INDICATED - SHADED AREAS INDICATE
ILLUMINATED FACE/FACES
'A' = FIXTURE TYPE

S_a³ SINGLE POLE SWITCH
3 = THREE-WAY
a = CONTROLS SWITCH LEG 'a'

\$_m DISCONNECT SWITCH - TOGGLE TYPE
MOTOR RATED, 20A, 1P, UON

OSH OCCUPANCY SENSOR, WALL MOUNTED

CRH CARD READER

T TRANSFORMER

o 20A, 125V DUPLEX RECEPTACLE - FLUSH WALL MOUNTED
CONTROLLED FROM WALL SWITCH 'a'

o 20A, 125V QUADRUPLEX RECEPTACLE - FLUSH WALL MOUNTED

o 20A, 125V DUPLEX RECEPTACLE FLUSH WALL MOUNTED
CFI TYPE.

HOMERUN-NUMERAL WHERE USED INDICATES CIRCUIT
NUMBER FOR REFERENCE ONLY.
2#12+1#12G-3/4"C FOR ONE CKT. HOMERUN, U.O.N.
3#12+1#12G-3/4"C FOR TWO CKT. HOMERUN, U.O.N.
4#12+1#12G-3/4"C FOR THREE CKT. HOMERUN, U.O.N.

HOMERUN - NUMERAL WHERE USED INDICATES CIRCUIT
NUMBER FOR REFERENCE ONLY

30/3 UNFUSED DISCONNECT SWITCH
SWITCH AMPS/# OF POLES, VOLTAGE RATING AS REQUIRED

100/60/3 FUSED DISCONNECT SWITCH; SWITCH AMPS/FUSE AMPS/
OF POLES, VOLTAGE RATING AS REQUIRED

SURFACE MOUNTED LIGHTING PANELBOARD

SURFACE MOUNTED POWER PANELBOARD

J CEILING MOUNTED JUNCTION BOX

J FLUSH WALL MOUNTED JUNCTION BOX

J FLUSH FLOOR MOUNTED JUNCTION BOX

NEW CONCEALED CONDUIT

NEW EXPOSED CONDUIT

EF-1 EQUIPMENT DESIGNATION
208V,3ø VOLTAGE, PHASE
5HP HP, KW OR FLA OF EQUIPMENT

S_F CEILING MOUNTED SPACE SMOKE DETECTOR
F = MOUNTED UNDER RAISED FLOOR

H COMBINATION FIRE ALARM HORN AND STROBE LIGHT UNIT
FLUSH WALL MOUNTED

F COMBINATION FIRE ALARM SPEAKER AND STROBE LIGHT UNIT
FLUSH WALL MOUNTED

hF FLUSH WALL MOUNTED STROBE LIGHT UNIT

∇##/∇ VOICE & DATA OUTLET LOCATION WITH 3/4" CONDUIT TERMINATED
IN A 90 DEG. BEND 6" INTO NEAREST ACCESSIBLE CEILING
##/∇ = # OF VOICE JACKS/# OF DATA JACKS

∇# VOICE OUTLET LOCATION WITH 3/4" CONDUIT TERMINATED
IN A 90 DEG. BEND 6" INTO NEAREST ACCESSIBLE CEILING
P = PUBLIC
F = FAX
W = WALL MOUNTED 48" AFF
= NUMBER OF JACKS

TV TELEVISION OUTLET LOCATION WITH 3/4" CONDUIT TERMINATED
IN A 90 DEG. BEND 6" INTO NEAREST ACCESSIBLE CEILING

SINGLE LINE DIAGRAM SYMBOLS

480V
500KVA
120/208 POWER TRANSFORMER
VOLTAGES, WINDINGS AND SIZE AS INDICATED

PANEL
NL3A2 PANELBOARD

ABBREVIATIONS

(NOT ALL ABBREVIATIONS ARE NECESSARILY USED ON THIS PROJECT)

+ SPECIAL MOUNTING HEIGHT. COORDINATE
LOCATION WITH ARCHITECTURAL ELEVATIONS

A AMPERE

AFF ABOVE FINISHED FLOOR

AIC AMPERE INTERRUPTING CAPACITY

(E) EXISTING TO REMAIN

EM EMERGENCY

(ER) EXISTING TO BE REMOVED

(ERR) EXISTING TO BE REMOVED & RELOCATED

(RE) RELOCATED EXISTING

UON UNLESS OTHERWISE NOTED

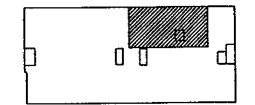
V VOLT OR VOLTAGE

XFMR TRANSFORMER

LANDMARK HEALTHCARE FACILITIES, LLC

839 North Jefferson Street
Milwaukee, Wisconsin 53202
Telephone: (414) 277-0500
Facsimile: (414) 277-1055

Key Plan



NORTH



Revisions

AKF
engineers

1500 WALNUT STREET, SUITE 1400
PHILADELPHIA, PA 19102
215.735.7290 TEL. 215.735.6706 FAX
AKF PROJ. NO. P060106-G

ARLINGTON - BOSTON - NEW YORK - PHILADELPHIA
PRINCETON - STAMFORD - MEXICO CITY

Sheet

Electrical
Cover Sheet

Project

MERCY HOSPITAL
Medical Office Bldg.
Portland, Maine

"Ideal Me"
Dr. Baskin Suite
Suite 170

Date

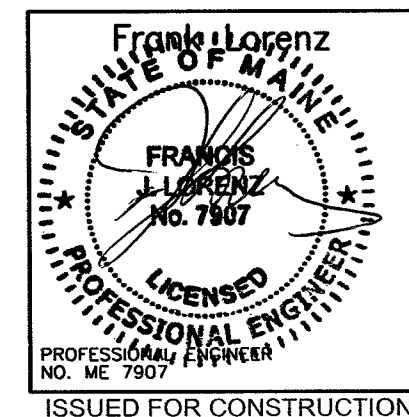
February 29, 2008

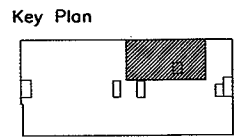
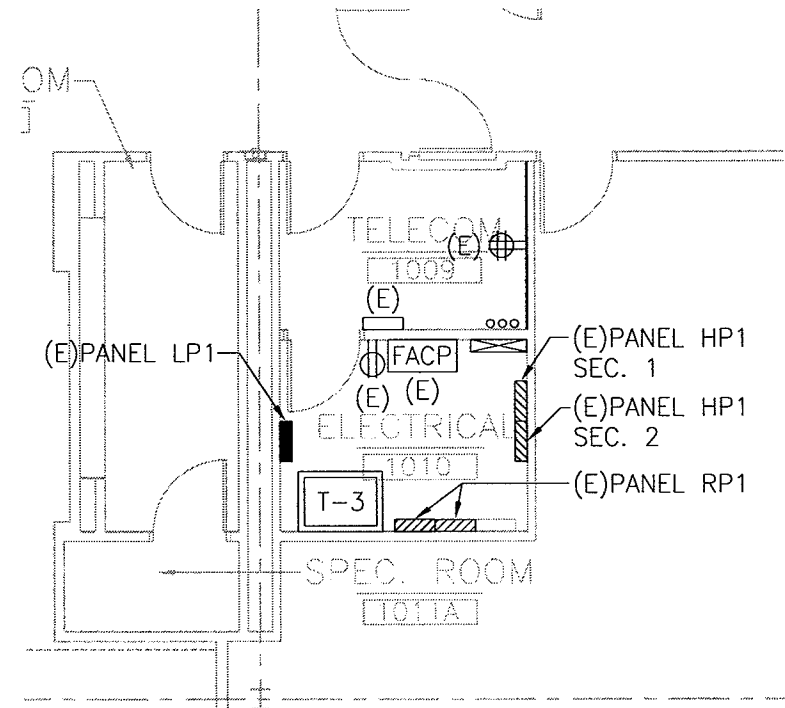
Project No.

F07-5256.06

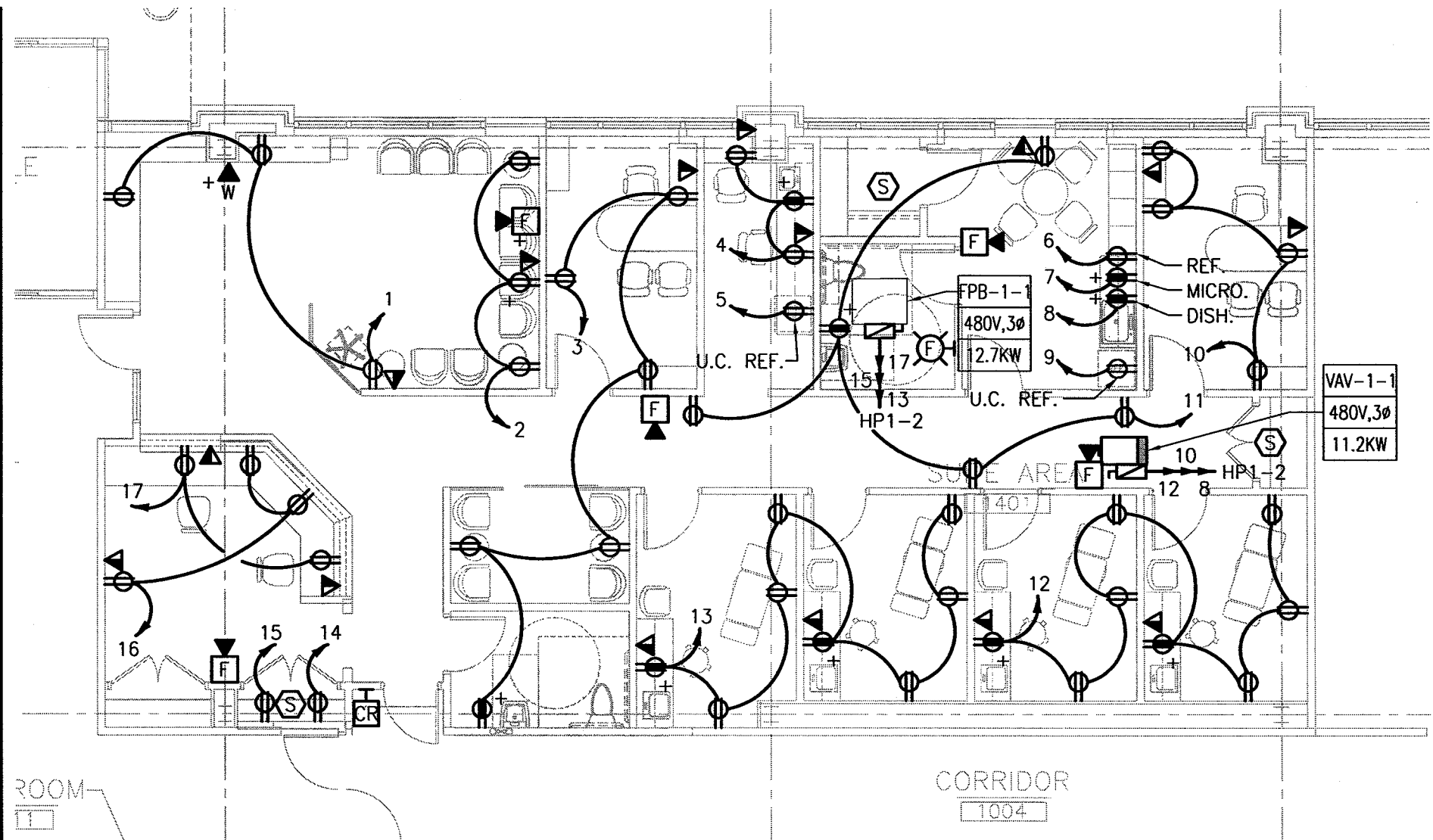
Sheet No.

E-1.0





Revisions



1 FLOOR PLAN
SCALE: 1/8"=1'-0"

2 1ST FLOOR ELECTRIC CLOSET
SCALE: 1/8"=1'-0"

DRAWING NOTES:

1. REFER TO ARCHITECTURAL DRAWINGS FOR EXACT MOUNTING HEIGHTS OF OUTLETS.
2. REFER TO MECHANICAL DRAWINGS FOR EXACT LOCATIONS OF ALL MECHANICAL EQUIPMENT.
3. UNLESS OTHERWISE NOTED, ALL CIRCUITS ARE TO PANEL RP1 SECTION 2.

AKF
engineers
1500 WALNUT STREET, SUITE 1400
PHILADELPHIA, PA 19102
215.735.7290 TEL. 215.735.6706 FAX
AKF PROJ. NO. P060106-G
ARLINGTON - BOSTON - NEW YORK - PHILADELPHIA
PRINCETON - STAMFORD - MEXICO CITY

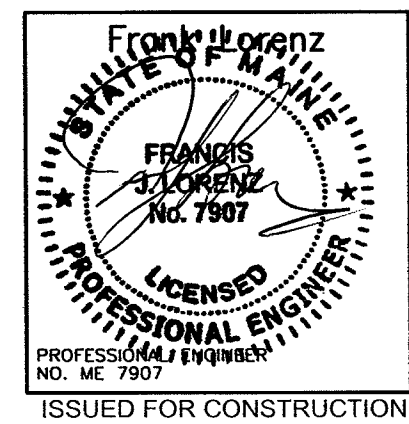
Sheet
**Electrical
Floor Plan
Power**

Project
**MERCY HOSPITAL
Medical Office Bldg.
Portland, Maine**
"Ideal Me"
Dr. Baskin Suite
Suite 170

Date
February 29, 2008

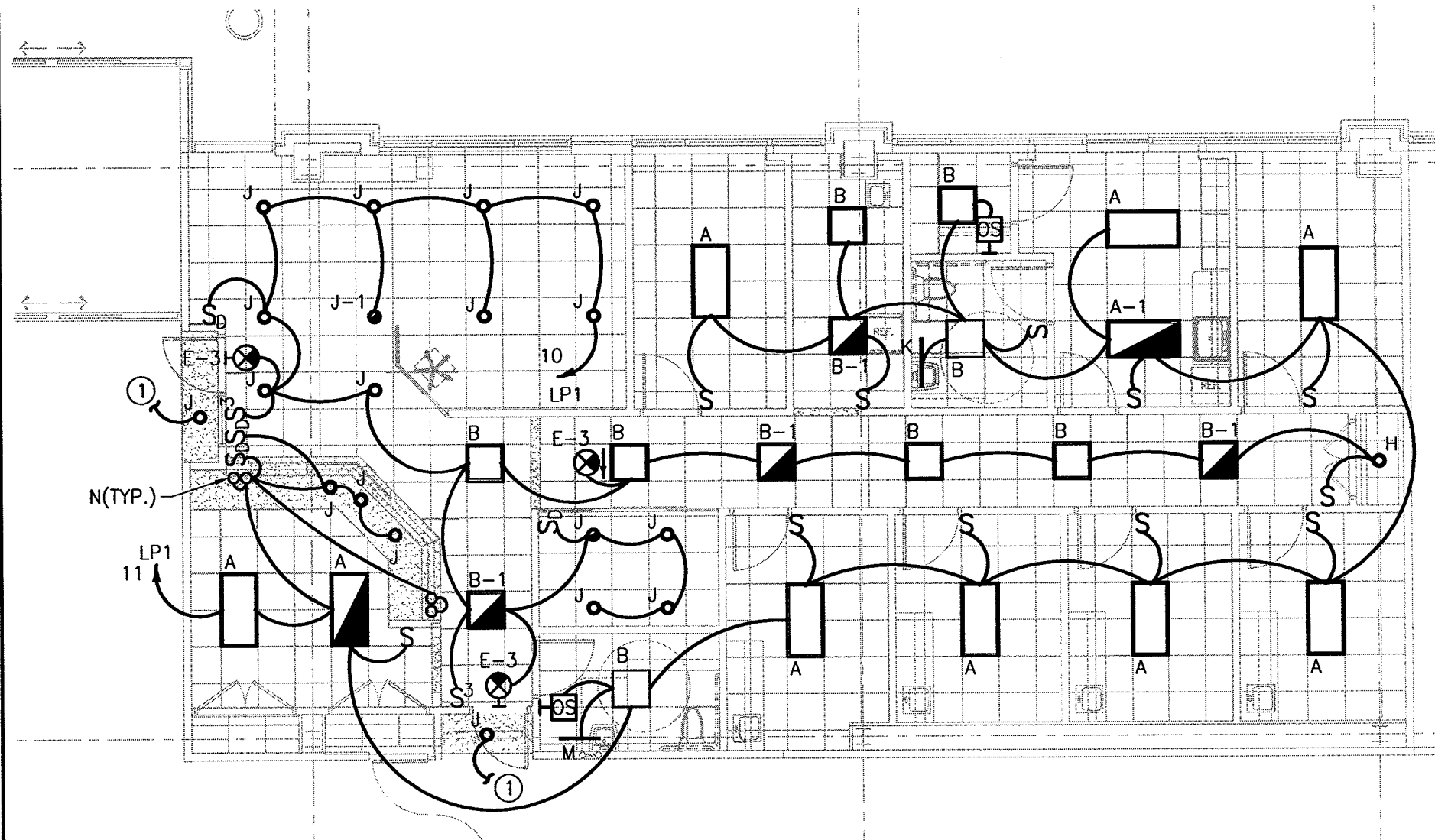
Project No.
F07-5256.06

Sheet No.
E-2.0



P:\P060000\P060106-G - Landmark Mercy - Ideal Me - Dr. Baskin Drawings\Elec\P060106-G-E-2.0.dwg 02/28/08 9:08 AM tblancha

P:\P060000\P060106-G - Landmark Mercy - Ideal Me - Dr. Baskin Drawings\Elec\P060106-G-E-3.0.dwg 02/28/08 9:08 AM tbiancha



1 FLOOR PLAN
SCALE: 1/8"=1'-0"

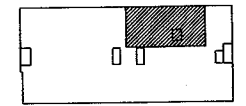
KEYNOTES:

- ① CONNECT TO EXISTING CIRCUIT SERVING CORRIDOR.

**LANDMARK
HEALTHCARE
FACILITIES, LLC**

839 North Jefferson Street
Milwaukee, Wisconsin 53202
Telephone: (414) 277-0500
Facsimile: (414) 277-1055

Key Plan



NORTH



Revisions

AKF
engineers

1500 WALNUT STREET, SUITE 1400
PHILADELPHIA, PA 19102
215.735.7290 TEL 215.735.6706 FAX
AKF PROJ. NO. P060106-G

ARLINGTON - BOSTON - NEW YORK - PHILADELPHIA
PRINCETON - STAMFORD - MEXICO CITY

Sheet

**Electrical
Floor Plan
Lighting**

Project

**MERCY HOSPITAL
Medical Office Bldg.
Portland, Maine**

**"Ideal Me"
Dr. Baskin Suite
Suite 170**

Date

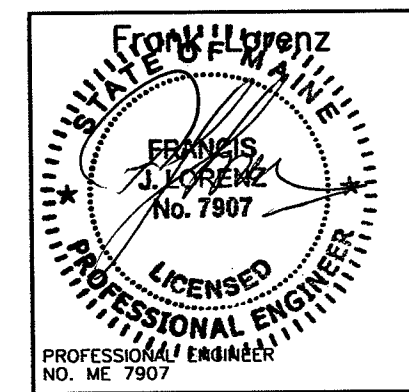
February 29, 2008

Project No.

F07-5256.06

Sheet No.

E-3.0



ISSUED FOR CONSTRUCTION

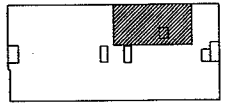
P:\P060000\P060106-G - Landmark Mercy - Ideal Me - Dr. Baskin Drawings\Elec\P060106-G-E-4.0.1.dwg 02/28/08 9:08 AM tbiancha

LANDMARK HEALTHCARE FACILITIES, LLC
 839 North Jefferson Street
 Milwaukee, Wisconsin 53202
 Telephone: (414) 277-0500
 Facsimile: (414) 277-1055

PANEL: (E)RPI SECTION 2				208 / 120 VOLTS, 3 PHASE 4 WIRE			MAIN BUS: AMPS NEUTRAL: 100%					
LOCATION: ELECTRICAL CLOSET 1ST FL				MOUNTING: <input checked="" type="checkbox"/> SURFACE <input type="checkbox"/> FLUSH		BUS: <input checked="" type="checkbox"/> COPPER <input type="checkbox"/> ALUMINUM		MAIN LUGS ONLY		TRIP / POLE		
BUILDING:				GROUND BUS: <input checked="" type="checkbox"/>		AIC: 10000 AMPS		PROVIDE WITH FEED-THRU LUGS		CKT #		
FED FROM: SEE SINGLE LINE DIAGRAM				ISOL. GND. BUS: <input type="checkbox"/>		* SHUNT TRIP BRKR.		DESCRIPTION OF LOAD		TRIP / POLE		
FEEDER SIZE: SEE SINGLE LINE DIAGRAM				LOAD (VA)		PER PHASE (VA)		LOAD (VA)		WIRE & COND SIZE		
CKT #	TRIP / POLE	DESCRIPTION OF LOAD	WIRE & COND SIZE	LOAD (VA)	A	B	C	LOAD (VA)	WIRE & COND SIZE	DESCRIPTION OF LOAD	TRIP / POLE	CKT #
1	20/1	WAITING ROOM RECEPS	2A	540	1080			540	2A	WAITING RM RECEPS	20/1	2
3	20/1	OFFICE/RELAXATION RM	2A	1080		1620		540	2A	NURSE WORK RECEPS	20/1	4
5	20/1	REFRIGERATOR	2A	1000			2000	1000	2A	REFRIGERATOR	20/1	6
7	20/1	MICROWAVE	2A	1000	2000			1000	2A	DISHWASHER	20/1	8
9	20/1	REFRIGERATOR	2A	1000		1720		720	2A	PHYS. OFFICE	20/1	10
11	20/1	GENERAL RECEPS	2A	900			2340	1440	2A	EXAM ROOMS	20/1	12
13	20/1	EXAM ROOMS	2A	1440	1620			180	2A	TELECOM RECEPTACLE	20/1	14
15	20/1	TELECOM RECEPTACLE	2A	180		720		540	2A	RECEPTION AREA RECEPS	20/1	16
17	20/1	RECEPTION AREA RECEPS	2A	360			360	0	2A	SPARE	20/1	18
19	20/1	SPARE	2A	0	0			0	2A	SPARE	20/1	20
21	20/1	SPARE	2A	0		0		0	2A	SPARE	20/1	22
23	20/1	SPARE	2A	0			0	0	2A	SPARE	20/1	24
25	20/1	SPARE	2A	0	0			0	2A	SPARE	20/1	26
27	20/1	SPARE	2A	0		0		0	2A	SPARE	20/1	28
29	20/1	SPARE	2A	0			0	0	2A	SPARE	20/1	30
31	20/1	SPARE	2A	0	0			0	2A	SPARE	20/1	32
33	20/1	SPARE	2A	0		0		0	2A	SPARE	20/1	34
35	20/1	SPARE	2A	0			0	0	2A	SPARE	20/1	36
37	20/1	SPARE	2A	0	0			0	2A	SPARE	20/1	38
39	20/1	SPARE	2A	0		0		0	2A	SPARE	20/1	40
41	20/1	SPARE	2A	0			0	0	2A	SPARE	20/1	42
TOTAL BY PHASE				4700	4060	4700		SPARE = 0%				
TOTAL CONNECTED LOAD =				13460 VA		TOTAL DEMAND LOAD =		11730 VA				
TOTAL CONNECTED AMPS =				37 AMPS		TOTAL DEMAND AMPS =		33 AMPS				

PANEL: (E)LP1				480 / 277 VOLTS, 3 PHASE 4 WIRE			MAIN BUS: AMPS NEUTRAL: 100%					
LOCATION: ELECTRICAL CLOSET 1ST FL				MOUNTING: <input checked="" type="checkbox"/> SURFACE <input type="checkbox"/> FLUSH		BUS: <input checked="" type="checkbox"/> COPPER <input type="checkbox"/> ALUMINUM		MAIN LUGS ONLY		TRIP / POLE		
BUILDING:				GROUND BUS: <input checked="" type="checkbox"/>		AIC: 35000 AMPS		PROVIDE WITH FEED-THRU LUGS		CKT #		
FED FROM: SEE SINGLE LINE DIAGRAM				ISOL. GND. BUS: <input type="checkbox"/>		* SHUNT TRIP BRKR.		DESCRIPTION OF LOAD		TRIP / POLE		
FEEDER SIZE: SEE SINGLE LINE DIAGRAM				LOAD (VA)		PER PHASE (VA)		LOAD (VA)		WIRE & COND SIZE		
CKT #	TRIP / POLE	DESCRIPTION OF LOAD	WIRE & COND SIZE	LOAD (VA)	A	B	C	LOAD (VA)	WIRE & COND SIZE	DESCRIPTION OF LOAD	TRIP / POLE	CKT #
1	20/1	(E)CORRIDOR LIGHTING	2A	484	1509			1025	2A	(E)VESTIBULE LIGHTING	20/1	2
3	20/1	(E)VESTIBULE LIGHTING	2A	560		880		320	2A	(E)CORRIDOR LIGHTING	20/1	4
5	20/1	(E)EMERGENCY LIGHTING	2A	1589			2229	640	2A	(E)STAIRWELL 'A' LIGHTING	20/1	6
7	20/1	(E)BLOOD DRAW LIGHTING	2A	533	2842			2309	2A	(E)FOOT & ANKLE SUITE LIGHTING	20/1	8
9	20/1	(E)FOOT & ANKLE SUITE LIGHTING	2A	2204		3222		1018	2A	DR. MCNALLY SUITE LIGHTING	20/1	10
11	20/1	DR. MCNALLY SUITE LIGHTING	2A	1648			1648	0	-	SPARE	20/1	12
13	20/1	SPARE	-	0	0			0	-	SPARE	20/1	14
15	20/1	SPARE	-	0		0		0	-	SPARE	20/1	16
17	20/1	SPARE	-	0			0	0	-	SPARE	20/1	18
19	20/1	SPARE	-	0	0			0	-	SPARE	20/1	20
21	20/1	SPARE	-	0		0		0	-	SPARE	20/1	22
23	20/1	SPARE	-	0			0	0	-	SPARE	20/1	24
25	20/1	SPARE	-	0	0			0	-	SPARE	20/1	26
27	20/1	SPARE	-	0		0		0	-	SPARE	20/1	28
29	20/1	SPARE	-	0			0	0	-	SPARE	20/1	30
31	20/1	SPARE	-	0	0			0	-	SPARE	20/1	32
33	20/1	SPARE	-	0		0		0	-	SPARE	20/1	34
35	20/1	SPARE	-	0			0	0	-	SPARE	20/1	36
37	20/1	SPARE	-	0	25000			25000	SEE SLD	(E)75 KVA XFMR TO PANEL RPI	123/3	38
39	20/1	SPARE	-	0		25000		25000				40
41	20/1	SPARE	-	0			25000	25000				42
TOTAL BY PHASE				29351	29102	28877		SPARE = 0%				
TOTAL CONNECTED LOAD =				87330 VA		TOTAL DEMAND LOAD =		90413 VA				
TOTAL CONNECTED AMPS =				105 AMPS		TOTAL DEMAND AMPS =		109 AMPS				

Key Plan



Revisions

AKF
engineers
 1500 WALNUT STREET, SUITE 1400
 PHILADELPHIA, PA 19102
 215.735.7290 TEL. 215.735.6706 FAX
 AKF PROJ. NO. P060106-G
 ARLINGTON - BOSTON - NEW YORK - PHILADELPHIA
 PRINCETON - STAMFORD - MEXICO CITY

Sheet

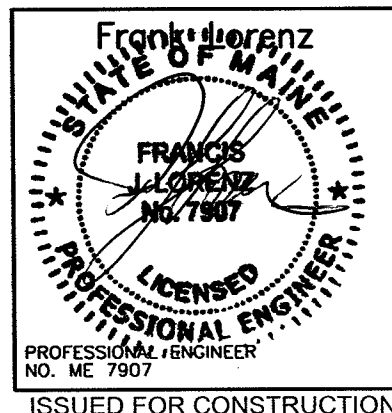
Electrical Schedules

Project
MERCY HOSPITAL
 Medical Office Bldg.
 Portland, Maine
 "Ideal Me"
 Dr. Baskin Suite
 Suite 170

Date
February 29, 2008

Project No.
F07-5256.06

Sheet No.
E-4.0



PANEL: (E)HP1 SECTION 2				480 / 277 VOLTS, 3 PHASE 4 WIRE			MAIN BUS: 225 AMPS NEUTRAL: 100%					
LOCATION: ELECTRICAL CLOSET 1ST FLR				MOUNTING: <input checked="" type="checkbox"/> SURFACE <input type="checkbox"/> FLUSH		BUS: <input checked="" type="checkbox"/> COPPER <input type="checkbox"/> ALUMINUM		MAIN LUGS ONLY		TRIP / POLE		
BUILDING:				GROUND BUS: <input type="checkbox"/>		AIC: 35000 AMPS		PROVIDE WITH FEED-THRU LUGS		CKT #		
FED FROM: SEE SINGLE LINE DIAGRAM				ISOL. GND. BUS: <input type="checkbox"/>		* SHUNT TRIP BRKR.		DESCRIPTION OF LOAD		TRIP / POLE		
FEEDER SIZE: SEE SINGLE LINE DIAGRAM				LOAD (VA)		PER PHASE (VA)		LOAD (VA)		WIRE & COND SIZE		
CKT #	TRIP / POLE	DESCRIPTION OF LOAD	WIRE & COND SIZE	LOAD (VA)	A	B	C	LOAD (VA)	WIRE & COND SIZE	DESCRIPTION OF LOAD	TRIP / POLE	CKT #
1	30/3	VAV-1-2	3B	3133	6066			2933	2B	FPB-1-1	20/3	2
3				3133		6066		2933				4
5				3133			6066	2933				6
7	20/3	FPB-1-2	2B	2666	2666			0				8
9				2666		2666		0				10
11				2666			2666	0				12
13				0	0			0				14
15				0		0		0				16
17				0			0	0				18
19				0	0			0				20
21				0		0		0				22
23				0			0	0				24
25				0	0			0				26
27				0		0		0				28
29				0			0	0				30
31				0	0			0				32
33				0		0		0				34
35				0			0	0				36
37				0			0	0				38
39				0		0		0				40
41				0			0	0				42
TOTAL BY PHASE				8732	8732	8732		SPARE = 0%				
TOTAL CONNECTED LOAD =				26196 VA		TOTAL DEMAND LOAD =		26196 VA				
TOTAL CONNECTED AMPS =				32 AMPS		TOTAL DEMAND AMPS =		32 AMPS				

LIGHTING FIXTURE SCHEDULE

TYPE	DESCRIPTION	MANUFACTURER	CATALOG NUMBER	LAMPS		FIXTURE WATTS	VOLTS	MOUNTING
				NO.	TYPE			
A	2' X 4' DIRECT/INDIRECT FLUORESCENT LUMINAIRE	LITHONIA	2AVG332MDRMVOLTGEB10IS	3	32W T8	108	277	RECESSED
A-1	FLUORESCENT LIGHT FIXTURE SHALL BE SIMILAR TO FIXTURE A, WITH BATTERY POWER EMERGENCY BACK-UP BALLAST	LITHONIA	2AVG332MDRMVOLTGEB10ISEL	3	32W T8	108	277	RECESSED
B	2' X 2' DIRECT/INDIRECT FLUORESCENT LUMINAIRE	LITHONIA	2AV317MDRMVOLTGEB10IS	3	17W T8	60	277	RECESSED
B-1	FLUORESCENT LIGHT FIXTURE SHALL BE SIMILAR TO FIXTURE B, WITH BATTERY POWER EMERGENCY BACK-UP BALLAST	LITHONIA	2AV317MDRMVOLTGEB10ISEL	3	17W T8	60	277	RECESSED
E-3	EXIT LIGHT, SHALL BE CEILING AND WALL MOUNTED, SINGLE OR DOUBLE FACE WITH BATTERY POWER EMERGENCY BACK UP. DIRECTIONAL ARROWS AND LETTER COLOR AS REQUIRED	LITHONIA SURE-LITES MCPHILBEN	PRECISE LRP SERIES ELX SERIES 45V SERIES	-	LED	5	277	CEILING/WALL
H	COMPACT FLUORESCENT LIGHT FIXTURE WITH 1 LAMP FOR STORAGE CLOSETS LESS THAN 50 S.F. SHALL BE FLAT ALBALITE LENS RECESSED FIXTURE WITH ELECTRONIC BALLAST	HALO	H801-277-800P	1	28W DTT	32	277	RECESSED
J	COMPACT FLUORESCENT RECESSED DOWNLIGHT FIXTURE, SHALL BE 7-1/2" DIAMETER OPEN APERTURE WITH CLEAR ALZAK REFLECTOR AND DIMMING BALLAST	PORTFOLIO LITHONIA	C72181H7280LI AF218TRT6AR	2	18W DTT	40	277	RECESSED
J-1	COMPACT FLUORESCENT RECESSED DOWNLIGHT FIXTURE, SHALL BE 7-1/2" DIAMETER OPEN APERTURE WITH CLEAR ALZAK REFLECTOR AND POWER EMERGENCY BACK-UP BALLAST AND DIMMING BALLAST	PORTFOLIO LITHONIA	C72181H7280LI AF218TRT6AR	2	18W DTT	40	277	RECESSED
K	DECORATIVE WALL MOUNTED VANITY FIXTURE	LIGHTOLIER	VLW4X48 SN2S132HPFUNVHI	1	32W T8	40	277	SURFACE
M	12" DECORATIVE KENROY WALL SCNCE WITH FROSTED RIB GLASS SHADES	ARCADIAN LIGHTING	KR-05011	2	13W CF	36	277	RECESSED
N	DECORATIVE KENROY PENDANT FIXTURE WITH FROSTED RIB GLASS SHADE	ARCADIAN LIGHTING	KR-05009	1	13W CF	18	277	RECESSED

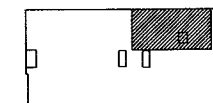
NOTES:

1. FIXTURES MUST UTILIZE MULTILAMP BALLAST. FIXTURES INSTALLED MUST NOT EXCEED FIXTURE WATTAGE LISTED ON SCHEDULE.
2. ALL FIXTURES LISTED FIRST ON SCHEDULE TO BE TAKEN AS BASIS OF DESIGN.
3. ALL NEW FIXTURES SHALL MATCH EXISTING IN BUILDING.

LANDMARK HEALTHCARE FACILITIES, LLC

839 North Jefferson Street
Milwaukee, Wisconsin 53202
Telephone: (414) 277-0500
Facsimile: (414) 277-1055

Key Plan



NORTH



Revisions

AKF

engineers

1500 WALNUT STREET, SUITE 1400
PHILADELPHIA, PA 19102
215.735.7290 TEL. 215.735.6706 FAX
AKF PROJ. NO. P060106-G

ARLINGTON • BOSTON • NEW YORK • PHILADELPHIA
PRINCETON • STAMFORD • MEXICO CITY

Sheet

Electrical Schedules

Project

MERCY HOSPITAL
Medical Office Bldg.
Portland, Maine

"Ideal Me"
Dr. Baskin Suite
Suite 170

Date

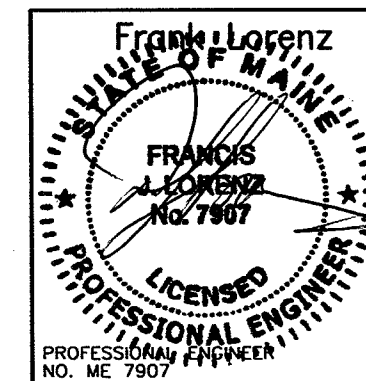
February 29, 2008

Project No.

F07-5256.06

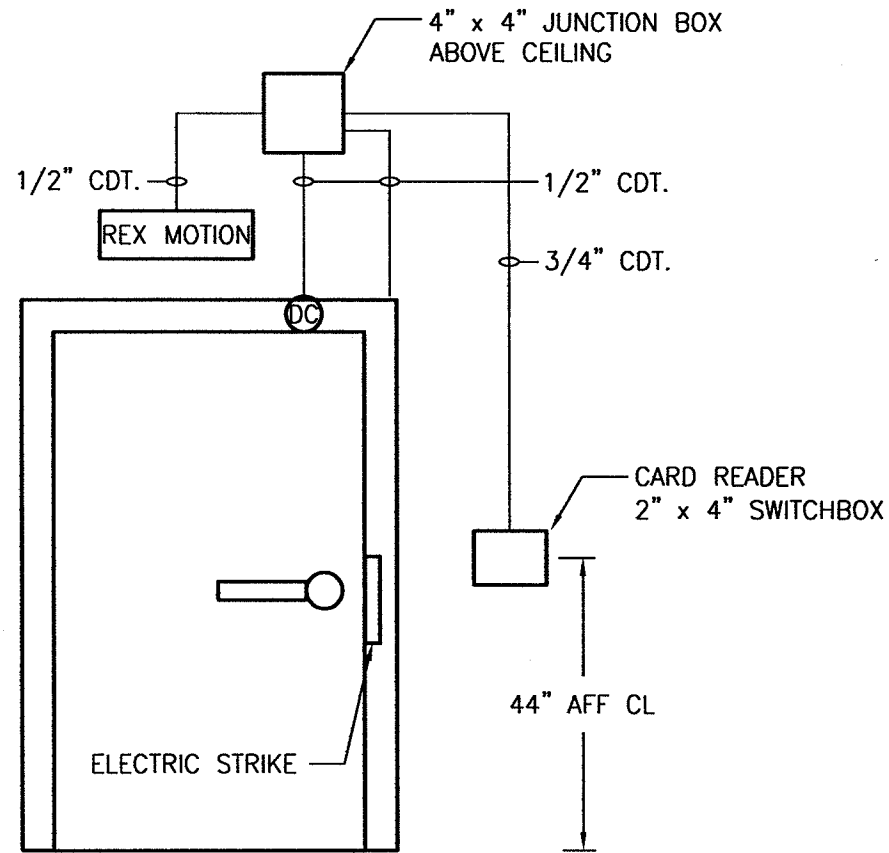
Sheet No.

E-4.1

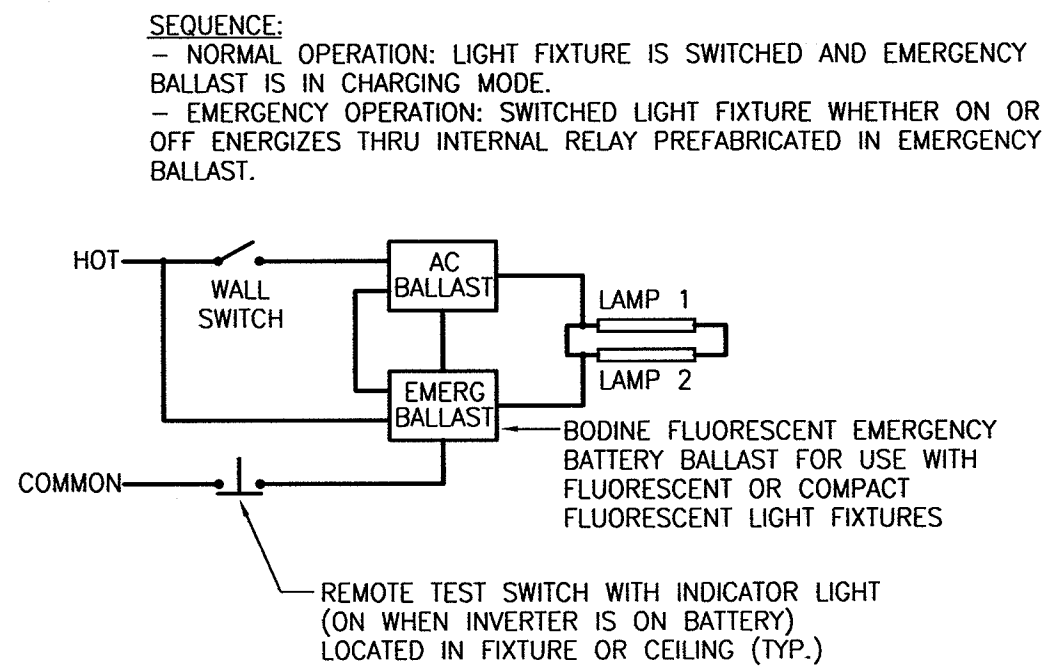


ISSUED FOR CONSTRUCTION

P:\P060000\P060106-G - Landmark Mercy - Ideal Me - Dr. Baskin\Drawings\Elec\P060106-G-E-5.0.dwg 02/28/08 9:08 AM tblancho



1 TYPICAL SINGLE DOOR DETAIL
SCALE: N.T.S



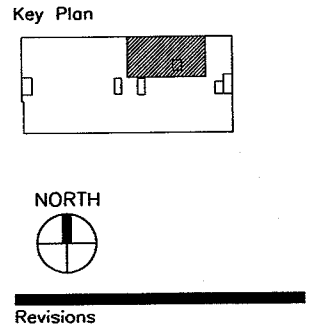
2 NORMAL/EMERGENCY WIRING SCHEMATIC
SCALE: N.T.S

WIRE & CONDUIT SIZING SCHEDULE						
AMPS	TAGS	WIRE SIZE (AWG/KCMIL)		No. OF WIRES AND CONDUIT SIZE (IN INCHES)		
		CONDUCTOR PHASE AND NEUTRAL	GROUND	A 1PH, 2W+G	B 3PH, 3W+G	C 3PH, 4W+G
15	1	14	14	3/4	3/4	3/4
20	2	12	12	3/4	3/4	3/4
30	3	10	10	3/4	3/4	3/4
40	4	8	10	3/4	3/4	3/4
50	5	6	10	3/4	1	1
60	6	4	10	1	1 1/4	1 1/4
70	7	4	8	1	1 1/4	1 1/4
80	8	3	8	1	1 1/4	1 1/4
90	9	2	8	1 1/4	1 1/4	1 1/2
100	10	1	8	1 1/4	1 1/2	2

NOTE:
 1. THE ABOVE SCHEDULE IS BASED ON 600 VOLT WIRE TYPE THWN/XHHW AND EMT/RGS CONDUIT

(2B) NUMBER INDICATES FEEDER SIZE IN AMPS AND WIRE
 LETTER INDICATES CONDUIT SIZE AND NUMBER OF WIRES

LANDMARK HEALTHCARE FACILITIES, LLC
 839 North Jefferson Street
 Milwaukee, Wisconsin 53202
 Telephone: (414) 277-0500
 Facsimile: (414) 277-1055



AKF
 engineers
 1500 WALNUT STREET, SUITE 1400
 PHILADELPHIA, PA 19102
 215.735.7290 TEL. 215.735.6706 FAX
 AKF PROJ. NO. P060106-G
 ARLINGTON - BOSTON - NEW YORK - PHILADELPHIA
 PRINCETON - STAMFORD - MEXICO CITY

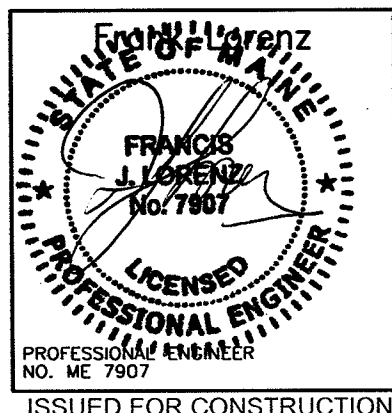
Sheet
 Electrical
 Details

Project
MERCY HOSPITAL
 Medical Office Bldg.
 Portland, Maine
 "Ideal Me"
 Dr. Baskin Suite
 Suite 170

Date
 February 29, 2008

Project No.
 F07-5256.06

Sheet No.
E-5.0











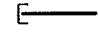
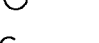

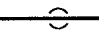
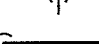



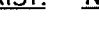


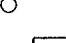

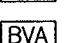
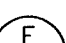

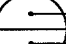



**LANDMARK
HEALTHCARE
FACILITIES, LLC**

839 North Jefferson Street
Milwaukee, Wisconsin 53202
Telephone: (414) 277-0500
Facsimile: (414) 277-1055

PLUMBING BASIC SYMBOLS

(NOT ALL SYMBOLS ARE NECESSARILY USED ON THIS PROJECT)

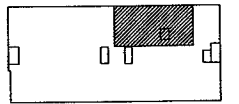
	EXISTING PIPING	
	NEW SOIL, WASTE OR SANITARY PIPING	
	VENT PIPING (SANITARY)	
	PIPING BELOW SLAB	
	DOMESTIC COLD WATER PIPING	
	DOMESTIC HOT WATER PIPING (120°)	
	DOMESTIC HOT WATER CIRCULATION PIPING	
	DISCONNECT FROM EXISTING	
	CONNECT TO EXISTING	
	CLEAN OUT/PLUGGED OUTLET	
	CAPPED OUTLET	
	CLEAN-OUT DECK PLATE	
	P-TRAP	
	VACUUM BREAKER	
	BOTTOM PIPE CONNECTION	
	TOP PIPE CONNECTION	
	PIPE DOWN/DROP	
	PIPE RISE/UP	
	TRAP	
<u>EXIST.</u> 	<u>NEW</u> 	MIXING VALVE
		BALL VALVE
		REDUCED PRESSURE ZONE BACKFLOW PREVENTER ASSEMBLY
		BALANCING VALVE ASSEMBLY
		RISER DESIGNATION
		RISER SERVICE
		RISER NUMBER

PLUMBING ABBREVIATIONS

(NOT ALL ABBREV. ARE NECESSARILY USED ON THIS PROJECT)

CO	CLEANOUT
CODP	CLEANOUT DECK PLATE
CM	COFFEE MAKER
CVO	CAPPED AND VALVED OUTLET
CW	COLD WATER
CLG	CEILING
CONN	CONNECT
DN	DOWN (PENETRATES FLOOR SLAB)
DR	DRAIN
DWG	DRAWING
(E)	EXISTING
FL	FLOOR
FT	FEET
HW	HOT WATER
HWR	HOT WATER RETURN
LAV	LAVATORY
MAX	MAXIMUM
MIN	MINIMUM
(N)	NEW
PO	PLUGGED OUTLET
SAN	SANITARY
SK	SINK
TYP	TYPICAL
UP	UP (PENETRATES FLOOR SLAB)
V	VENT
W	WASTE
WC	WATER CLOSET

Key Plan



NORTH



Revisions

AKF

engineers

1500 WALNUT STREET, SUITE 1400
PHILADELPHIA, PA 19102
215.735.7290 TEL 215.735.6706 FAX
AKF PROJ. NO. P060106-G

ARLINGTON - BOSTON - NEW YORK - PHILADELPHIA
PRINCETON - STAMFORD - MEXICO CITY

Sheet

Plumbing
Cover Sheet

Project

MERCY HOSPITAL
Medical Office Bldg.
Portland, Maine

"Ideal Me"
Dr. Baskin Suite
Suite 170

Date

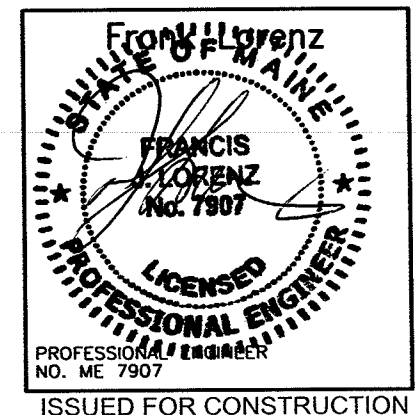
February 29, 2008

Project No.

F07-5256.06

Sheet No.

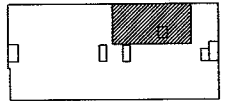
P-1.0



PLUMBING GENERAL NOTES

1. GENERAL NOTES, SYMBOLS LIST AND DETAILS ARE APPLICABLE TO ALL DRAWINGS MARKED P.
2. DRAWINGS ARE DIAGRAMMATIC: DETERMINE LOCATIONS OF SYSTEMS AND COMPONENTS IN FIELD.
3. NEITHER ACCURACY NOR COMPLETION OF UTILITY LOCATIONS SHOWN ON DRAWINGS IS GUARANTEED. DETERMINE EXACT LOCATIONS OF EXISTING UTILITY IN FIELD, WHETHER OR NOT SHOWN ON DRAWINGS. EXERCISE CAUTION AND IDENTIFY LOCATIONS OF UNMARKED UTILITY LINES AS NECESSARY TO PERFORM WORK OF THIS SECTION.
4. ALL PLUMBING WORK SHALL BE IN ACCORDANCE WITH THE CURRENT PLUMBING CODE AND ALL APPLICABLE LOCAL CODES AND DRAWINGS.
5. IT SHALL BE THE RESPONSIBILITY OF THIS CONTRACTOR TO COORDINATE HIS WORK WITH THAT OF ALL OTHER TRADES, INCLUDING (BUT NOT LIMITED TO), ELECTRICAL, HVAC PROCESS PIPING, SPRINKLER, PLUMBING STRUCTURAL AND GENERAL ARCHITECTURE.
6. ANY INTERFERENCE SHALL BE BROUGHT TO THE ATTENTION OF THE CONSTRUCTION MANAGER AND THE OWNER'S REPRESENTATIVE, AND SHALL BE RESOLVED PRIOR TO THE INSTALLATION OF THE WORK INVOLVED.
7. NO WORK SHALL BE INSTALLED IN VIOLATION OF ANY GOVERNING CODES. ANY WORK SHOWN ON THE DRAWINGS WHICH IS IN VIOLATION OF SUCH CODES SHALL BE BROUGHT TO THE ATTENTION OF THE CONSTRUCTION MANAGER AND THE OWNER'S REPRESENTATIVE AND SHALL BE RESOLVED PRIOR TO THE INSTALLATION OF THE WORK INVOLVED.
8. ALL PIPING PENETRATING CEILING AND WALLS SHALL BE INSTALLED WITH CHROME (STAINLESS WHERE NOTED) PLATED ESCUTCHEONS AT THE PENETRATION. ALL PIPING PENETRATING EXTERIOR WALLS AND ROOFS SHALL BE FLASHED IN AN APPROVED MANNER AND SHALL BE SEALED WEATHER TIGHT. PIPING PENETRATING RATED PARTITIONS SHALL BE PROTECTED AS REQUIRED BY LOCAL CODE AUTHORITY. (SEE DETAILS)
9. MANUFACTURER'S MODEL NUMBERS ARE SPECIFIED SOLELY TO ESTABLISH STANDARDS OF QUALITY FOR PERFORMANCE AND MATERIALS.
10. PRODUCTION INSTALLATION SHALL ADHERE TO MANUFACTURERS' RECOMMENDATIONS.
11. PROVIDE ACCESS PANELS FOR EQUIPMENT THAT REQUIRES PERIODIC SERVICE.
12. CONTRACTOR SHALL COORDINATE ELECTRICAL CHARACTERISTICS AND REQUIREMENTS OF ALL PLUMBING EQUIPMENT WITH THE ELECTRICAL DRAWINGS AND SHALL FURNISH EQUIPMENT WIRED FOR THE VOLTAGES SHOWN HEREIN.
13. PROVIDE SHUTOFF VALVES ON ALL BRANCH PIPING AND ON ALL SUPPLIES TO INDIVIDUAL FIXTURES AND EQUIPMENT. PROVIDE BALL VALVES ON ALL WATER MAIN BRANCHES IN CORRIDORS AND WHERE INDICATED ON DRAWINGS. ALL VALVES SHALL BE ACCESSIBLE.
14. ALL SLEEVES THROUGH CONCRETE FLOORS AND ALL CORE DRILLING OF CONCRETE FLOORS AND WALLS SHALL BE BY THIS CONTRACTOR.
15. CONCRETE PADS AND PLATFORMS FOR WORK OF THIS SECTION WILL BE PROVIDED BY GENERAL CONTRACTOR. PROVIDE INFORMATION AND HARDWARE AS NECESSARY TO COORDINATE WORK.
16. SCHEDULE WORK OF THIS SECTION TO AVOID INTERFERE WITH FIRE-PROOFING WORK.
17. RUN PIPING CONCEALED, UNLESS SPECIFIED OTHERWISE, AND CLEAR OF CEILING INSERTS.
18. STRUCTURAL WELDING SHALL BE 1/4-INCH FILLET UNLESS REQUIRED OTHERWISE.
19. PROVIDE CLAMPS, OFFSETS, EXPANSION JOINTS, ANCHORS AND GUIDES AS NECESSARY TO PREVENT STRESS ON PIPING.
20. PROVIDE BALANCING VALVES AT SYSTEM LOOP RETURNS AND AT RETURN RISERS. PROVIDE SHUT-OFF VALVES AT SYSTEM LOOP SUPPLIES AND SUPPLY RISERS.
21. PROVIDE VENTS AT HIGH POINTS IN PIPING SYSTEMS AND DRAIN VALVES AT LOW POINTS.
22. PROVIDE GAUGE FITTINGS AND THERMOMETER WELLS AT HOT WATER SUPPLY AND RETURN BRANCHES AND AT PUMP INLETS AND OUTLETS.
23. VERIFY EXACT SIZES, LOCATIONS, INVERTS AND ELEVATIONS PRIOR TO RUNNING ANY PIPING. REFER TO ARCHITECTURAL DRAWINGS FOR EXACT LOCATIONS OF ALL FIXTURES AND EQUIPMENT.
24. PLUMBING SUBCONTRACTOR IS RESPONSIBLE FOR EXTENDING ALL REGULATOR VENTS TO ATMOSPHERE. REGULATORS ARE PART OF EQUIPMENT GAS TRAIN.
25. PIPING SHALL NOT RUN OVER ELECTRICAL PANELS AND SHALL BE COORDINATED WITH WORK OF OTHER TRADES.

Key Plan



NORTH



Revisions

AKF

engineers

1500 WALNUT STREET, SUITE 1400
PHILADELPHIA, PA. 19102
215.735.7290 TEL. 215.735.6706 FAX
AKF PROJ. NO. P060106-G

ARLINGTON - BOSTON - NEW YORK - PHILADELPHIA
PRINCETON - STAMFORD - MEXICO CITY

Sheet

**Plumbing
General Notes**

Project

**MERCY HOSPITAL
Medical Office Bldg.
Portland, Maine**

**"Ideal Me"
Dr. Baskin Suite
Suite 170**

Date

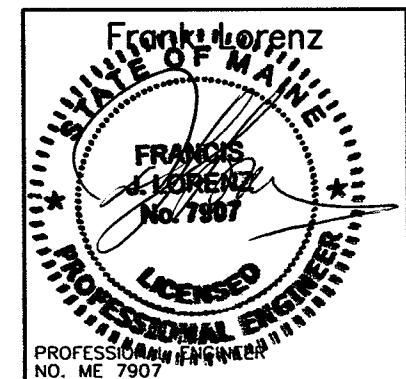
February 29, 2008

Project No.

F07-5256.06

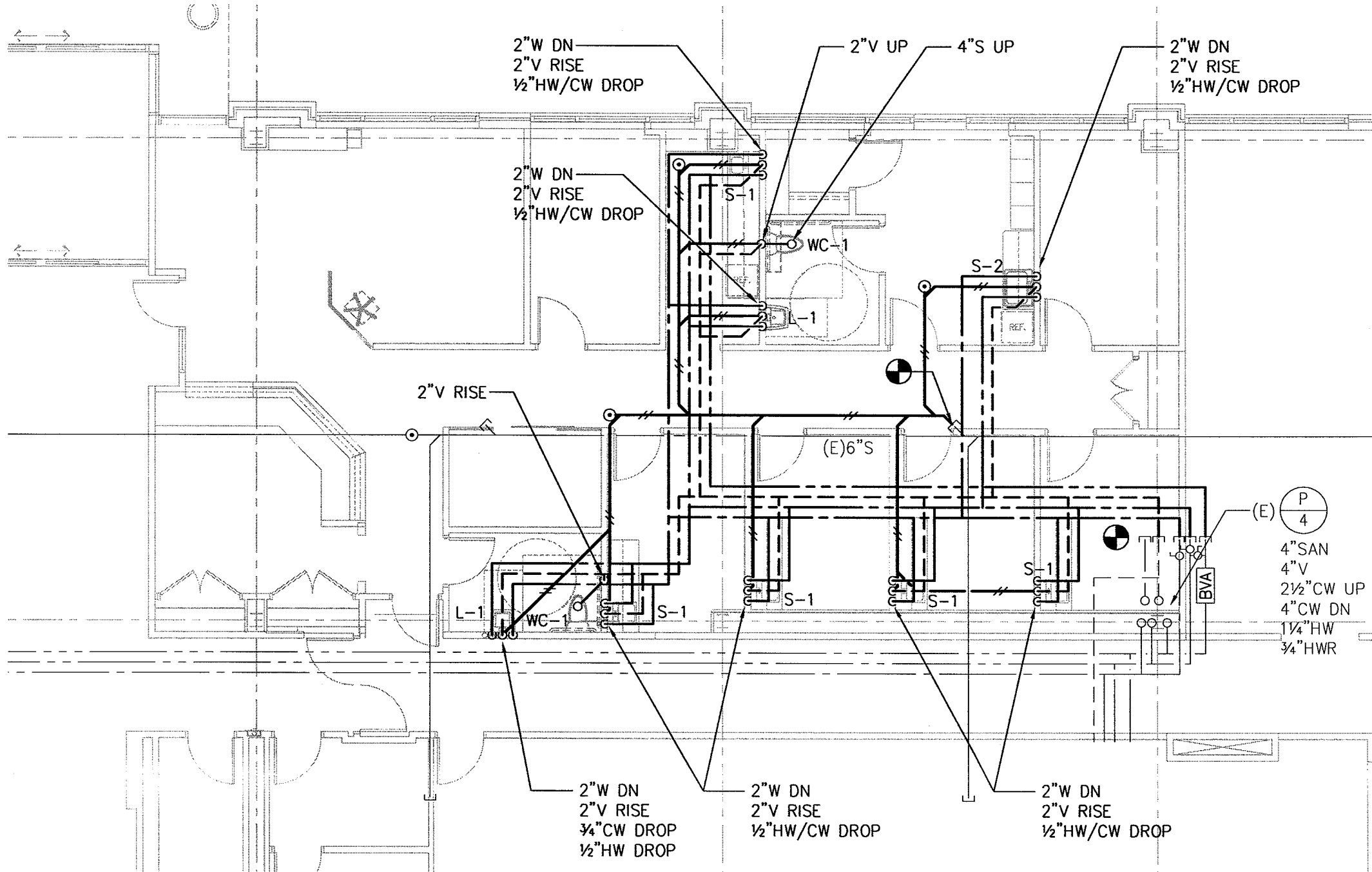
Sheet No.

P-1.1



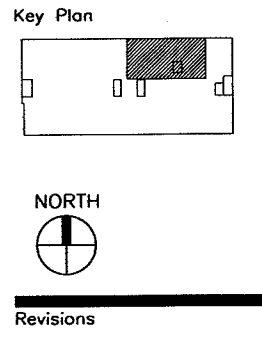
ISSUED FOR CONSTRUCTION

P:\P060000\P060106-G - Landmark Mercy - Ideal Me - Dr. Baskin\Drawings\Plg\P060106-C.P-2.0.dwg 02/28/08 9:08 AM tbiancha



1 FLOOR PLAN
SCALE: 1/8"=1'-0"

**LANDMARK
HEALTHCARE
FACILITIES, LLC**
839 North Jefferson Street
Milwaukee, Wisconsin 53202
Telephone: (414) 277-0500
Facsimile: (414) 277-1055



AKF
engineers
1500 WALNUT STREET, SUITE 1400
PHILADELPHIA, PA 19102
215.735.7290 TEL. 215.735.6706 FAX
AKF PROJ. NO. P060106-G
ARLINGTON • BOSTON • NEW YORK • PHILADELPHIA
PRINCETON • STAMFORD • MEXICO CITY

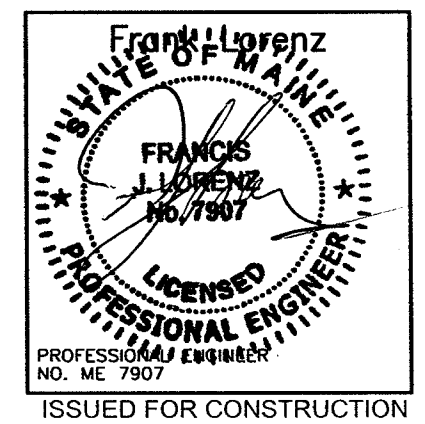
Sheet
**Plumbing
Floor Plan**

Project
**MERCY HOSPITAL
Medical Office Bldg.
Portland, Maine**
"Ideal Me"
Dr. Baskin Suite
Suite 170

Date
February 29, 2008

Project No.
F07-5256.06

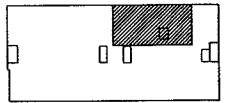
Sheet No.
P-2.0



PLUMBING FIXTURE SCHEDULE

FIXTURES	FIXTURE #				SERVICE CONNECTION					MANUFACTURER AND EQUIPMENT	MODEL NO.	REMARKS
	S	W	V	CW	HW							
WATER CLOSET	WC-1											
FLUSH TANK (BOTTOM OUTLET)	•				4"		2"	½"		AMERICAN STANDARD CADET OLSONITE OPEN FRONT SEAT LESS COVER	2377.100 95	
LAVATORIES	L-1	L-2	L-3									
PUBLIC	•					1½"	1½"	½"	½"	SK: ELJER FAUCET: ELJER DRAIN: ELJER	051-2101 3571002 POP-UP	FURNISH OFFSET TRAP, VALVE STOPS, RISERS AND INSULATION KIT.
SINKS	S-1	S-2	S-3									
EXAM	•					2"	1½"	¾"	¾"	SK: ELKAY FAUCET: ELKAY DRAIN: ELKAY	BCR-15 LK411ABH4 LK36	
PANTRY		•				2"	1½"	¾"	¾"	SK: ELKAY FAUCET: ELKAY DRAIN: ELKAY HOT WATER DISPENSER: INSINKERATOR	CR-3321 LK4380FCR (2)LK35L HOT1	FURNISH OFFSET TRAP, VALVE STOPS, RISERS AND INSULATION KIT.
LABORATORY			•			2"	1½"	¾"	¾"	SK: ELKAY FAUCET: ELKAY DRAIN: ELKAY	CR-2521 LK411ABH4 LK35	

Key Plan



NORTH



Revisions

AKF
engineers

1500 WALNUT STREET, SUITE 1400
PHILADELPHIA, PA. 19102
215.735.7290 TEL. 215.735.6706 FAX
AKF PROJ. NO. P060106-G

ARLINGTON - BOSTON - NEW YORK - PHILADELPHIA
PRINCETON - STAMFORD - MEXICO CITY

Sheet

**Plumbing
Schedules**

Project

MERCY HOSPITAL
Medical Office Bldg.
Portland, Maine

"Ideal Me"
Dr. Baskin Suite
Suite 170

Date

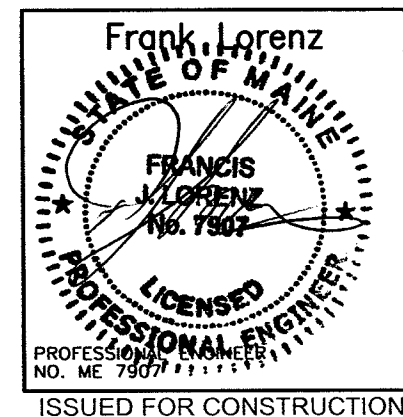
February 29, 2008

Project No.

F07-5256.06

Sheet No.

P-3.0



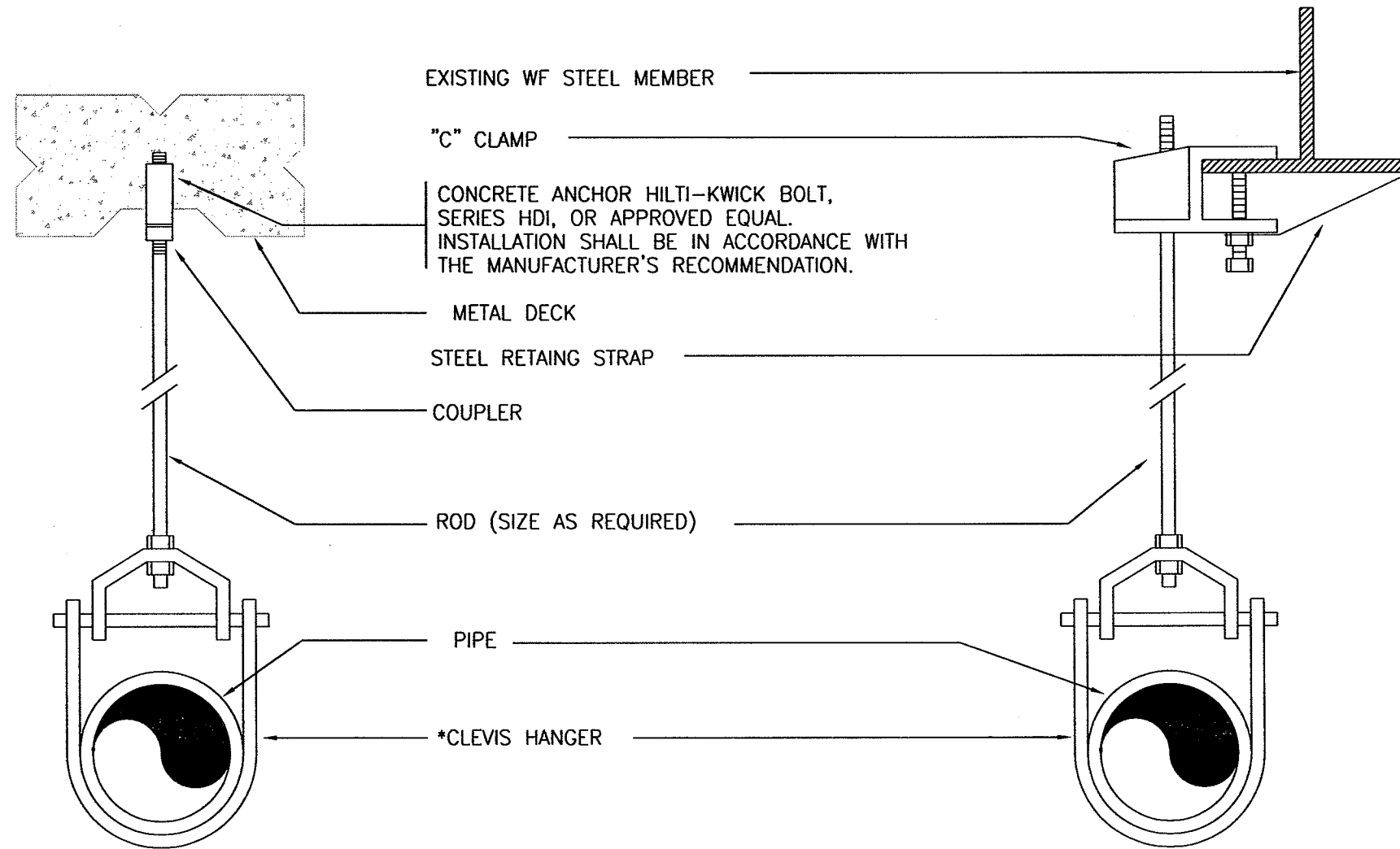
NOTES:

1. THE EXACT LOCATION AND MOUNTING HEIGHTS OF ALL PLUMBING FIXTURES SHALL BE AS PER THE ARCHITECTURAL DRAWINGS.
2. ALL SINKS AND LAVATORIES THAT ARE HANDICAPPED ACCESSIBLE SHALL BE PROVIDED WITH THERMAL AND IMPACT INSULATION/SHIELDING KITS ON SUPPLIES, TRAPS, TAILPIECES AND WASTE OUTLETS.

P:\P060000\P060106-G - Landmark Mercy - Ideal Me - Dr. Baskin\Drawings\Plbg\P060106-G-P-4.0.dwg 02/28/08 9:08 AM tbiancho

LANDMARK HEALTHCARE FACILITIES, LLC

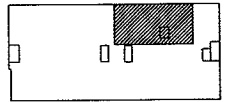
839 North Jefferson Street
Milwaukee, Wisconsin 53202
Telephone: (414) 277-0500
Facsimile: (414) 277-1055



* CLEVIS HANGERS REQUIRED ON PIPING LARGER 1".
GENERAL PURPOSE HANGERS MAY BE USED ON PIPING 1" OR SMALLER.

TYPICAL HANGER DETAIL

Key Plan



NORTH



Revisions

AKF
engineers

1500 WALNUT STREET, SUITE 1400
PHILADELPHIA, PA 19102
215.735.7290 TEL 215.735.6706 FAX
AKF PROJ. NO. P060106-G

ARLINGTON - BOSTON - NEW YORK - PHILADELPHIA
PRINCETON - STAMFORD - MEXICO CITY

Sheet

Plumbing
Details

Project

MERCY HOSPITAL
Medical Office Bldg.
Portland, Maine

"Ideal Me"
Dr. Baskin Suite
Suite 170

Date

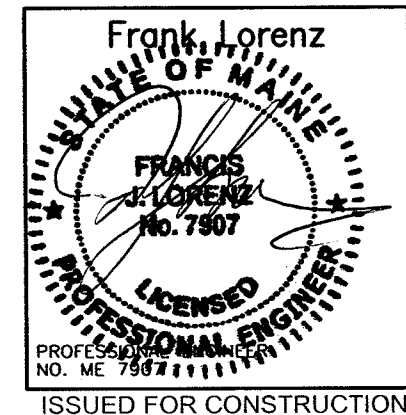
February 29, 2008

Project No.

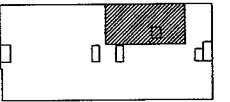
F07-5256.06

Sheet No.

P-4.0



Key Plan



NORTH



Revisions

AKF
engineers

1500 WALNUT STREET, SUITE 1400
PHILADELPHIA, PA 19102
215.735.7290 TEL 215.735.6706 FAX
AKF PROJ. NO. P060106-G

ARLINGTON - BOSTON - NEW YORK - PHILADELPHIA
PRINCETON - STAMFORD - MEXICO CITY

Sheet

Plumbing
Riser Diagrams

Project

MERCY HOSPITAL
Medical Office Bldg.
Portland, Maine

"Ideal Me"
Dr. Baskin Suite
Suite 170

Date

February 29, 2008

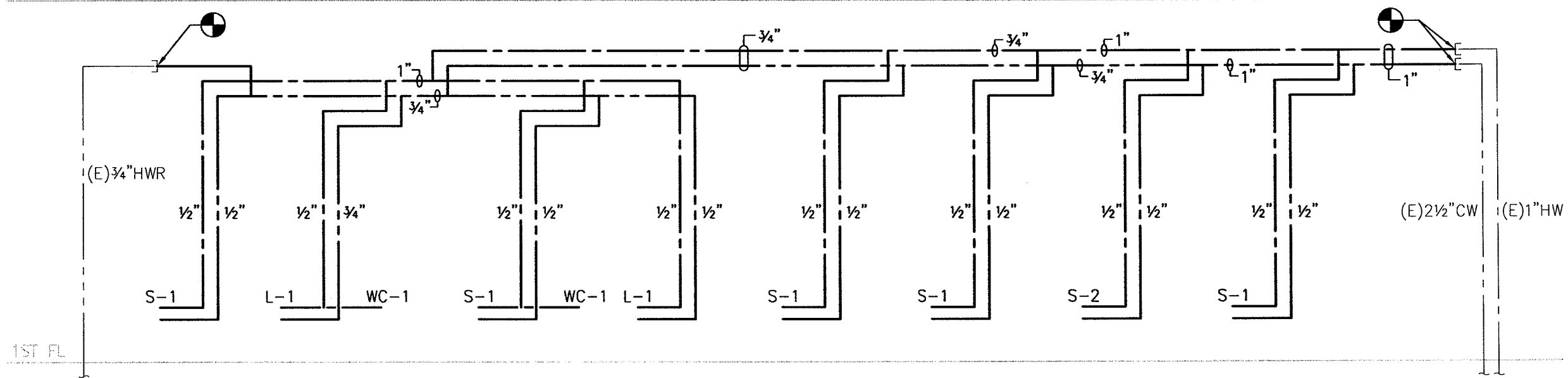
Project No.

F07-5256.06

Sheet No.

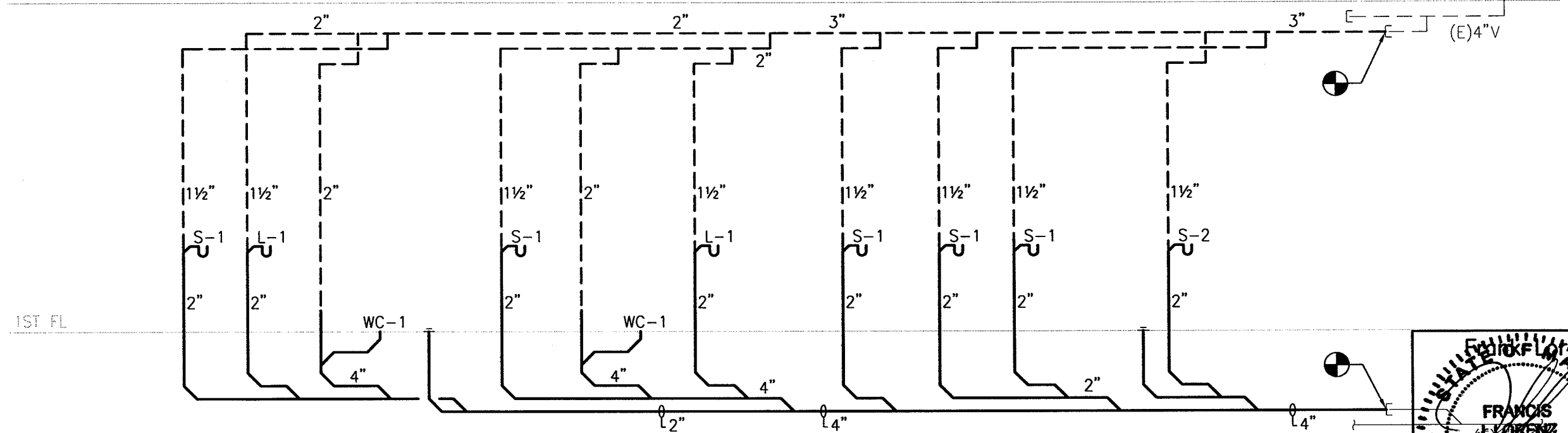
P-5.0

2ND FL

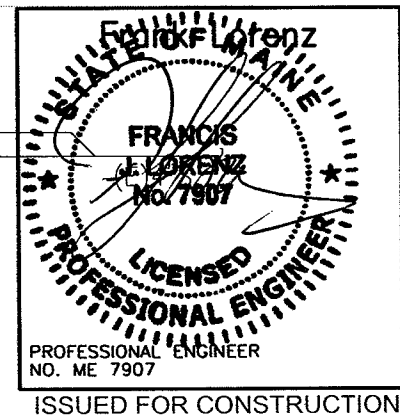


1 DOMESTIC WATER RISER DIAGRAM
SCALE: NTS

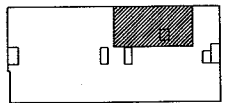
2ND FL



2 SANITARY RISER DIAGRAM
SCALE: NTS



Key Plan



NORTH



Revisions

AKF

engineers

1500 WALNUT STREET, SUITE 1400
PHILADELPHIA, PA 19102
215.735.7290 TEL. 215.735.6706 FAX
AKF PROJ. NO. P060106-G

ARLINGTON - BOSTON - NEW YORK - PHILADELPHIA
PRINCETON - STAMFORD - MEXICO CITY

Sheet

Fire Protection
Cover Sheet

Project

MERCY HOSPITAL
Medical Office Bldg.
Portland, Maine

"Ideal Me"
Dr. Baskin Suite
Suite 170

Date

February 29, 2008

Project No.

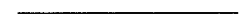

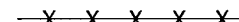






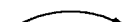








F07-5256.06

Sheet No.

FP-1.0

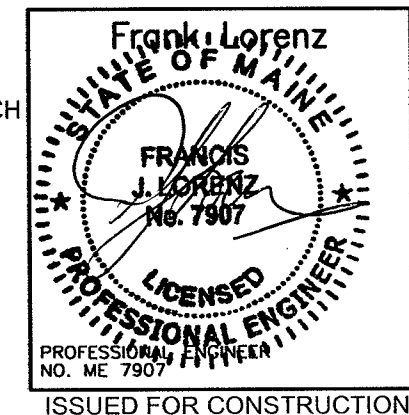
FIRE PROTECTION SYMBOLS

(NOT ALL SYMBOLS ARE NECESSARILY USED ON THIS PROJECT)

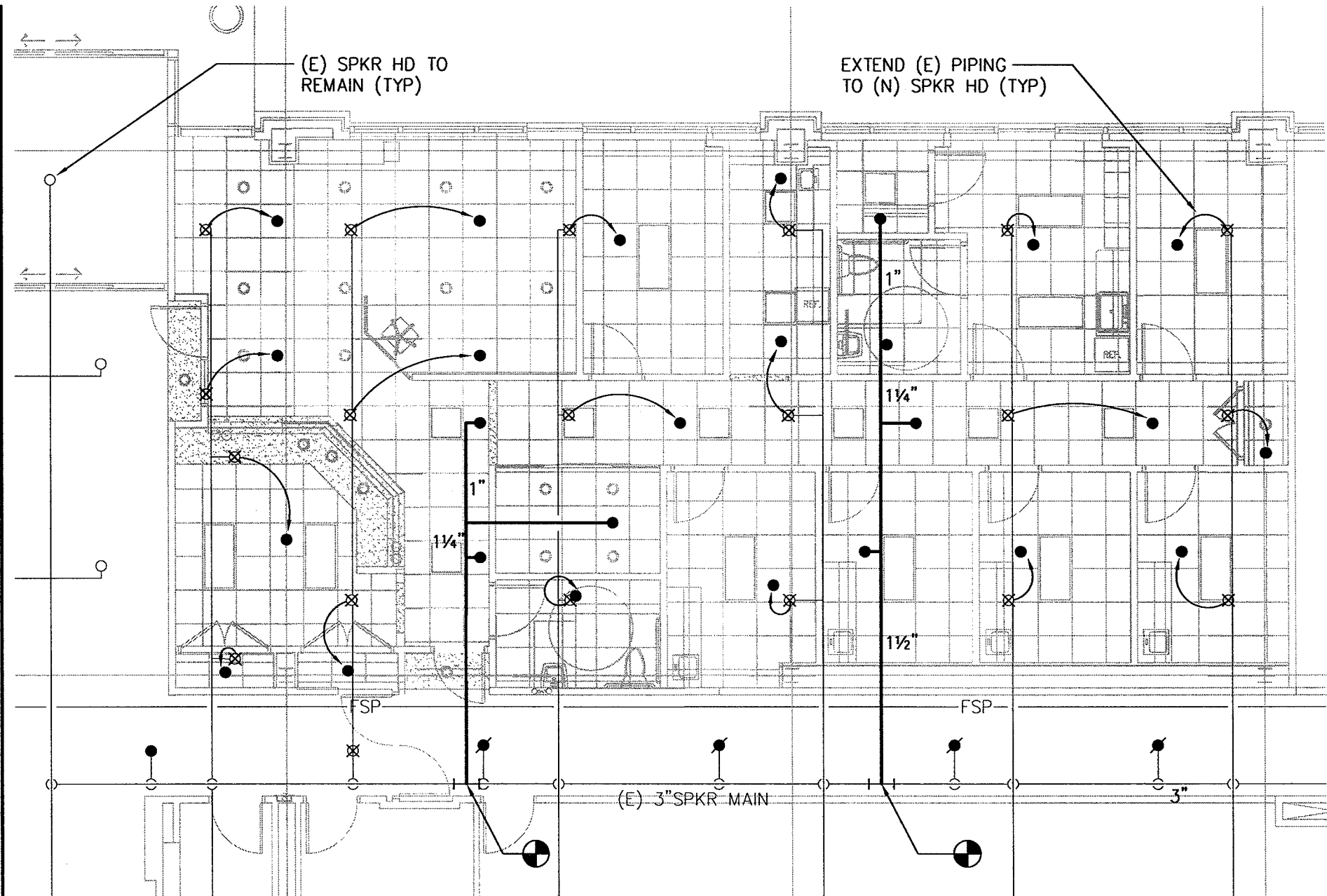
	EXISTING PIPING
	NEW PIPING
	EXISTING PIPING TO BE REMOVED
	EXISTING SPRINKLER HEAD
	EXISTING SPRINKLER HEAD TO BE REMOVED
	NEW CONCEALED SPRINKLER HEAD
	NEW PENDENT SPRINKLER HEAD
	NEW UPRIGHT SPRINKLER HEAD
	NEW SIDE WALL SPRINKLER HEAD
	EXTEND EXISTING SPRINKLER PIPING TO NEW SPRINKLER HEAD
	FIRE EXTINGUISHER IN CABINET
	FIRE EXTINGUISHER WALL HUNG
	HYDRAULIC REFERENCE POINT
	SPRINKLER CONTROL VALVE
	PIPE UP/RISE
	PIPE DN/DROP
	CONNECT TO EXISTING
	DISCONNECT FROM EXISTING
FHV	FIRE HOSE VALVE
FSP	FIRE STANDPIPE
SPKR	SPRINKLER
U.O.N.	UNLESS OTHERWISE NOTED

FIRE PROTECTION GENERAL NOTES:

1. PROVIDE WET-PIPE SPRINKLERS IN ALL AREAS. PROVIDE DRY-TYPE SPRINKLER SYSTEM IN ALL AREAS WHERE AMBIENT TEMPERATURE IS 40 DEG F OR BELOW.
2. SECURE WATER FLOW TEST DATA TAKEN FROM FIRE HYDRANTS NEAREST SITE. IF RECENT FLOW TEST DATA IS NOT AVAILABLE FROM CITY RECORDS, MAKE NECESSARY TESTS AS REQUIRED BY NFPA STANDARDS TO DETERMINE CHARACTER OF WATER SUPPLY. MINIMUM OF 20 PSI DROP IN PRESSURE BETWEEN STATIC AND RESIDUAL PRESSURE SHALL BE REQUIRED IN ORDER TO OBTAIN ACCURATE DATA.
3. SPRINKLER SYSTEM SHALL BE HYDRAULICALLY CALCULATED FOR LIGHT HAZARD OCCUPANCY EXCEPT AS NOTED.
4. SPRINKLERS FOR GENERAL AREAS SHALL BE TYPE AS SCHEDULED, 165 DEG F RATED, HYDRAULICALLY DESIGNED TO PROVIDE 0.10 GPM/SQ FT OVER MOST REMOTE 1500 SQ FT PLUS 50 GPM FOR HOSE STREAM. MAXIMUM PROTECTION AREA PER SPRINKLER SHALL BE 225 SQ FT. ROOM DESIGN METHOD ACCEPTABLE.
6. ADD 10% CONTINGENCY FACTOR TO HYDRAULIC CALCULATIONS.
7. EXACT LOCATION OF SPRINKLER HEADS IN FINISHED AREAS WITH SUSPENDED CEILING SHALL BE AS INDICATED ON REFLECTED CEILING PLANS.
8. MINIMUM PRESSURE AT END SPRINKLER HEAD 7 PSI.
9. EQUIVALENT FITTING LENGTHS USED IN HYDRAULIC CALCULATIONS SHALL BE IN ACCORDANCE WITH NFPA STANDARD NO. 13 AND FACTORY MUTUAL 0.5 2-8N.
 - A. WHEREVER FITTINGS ARE USED IN CONJUNCTION WITH LIGHTWALL PIPE, EQUIVALENT FITTING LENGTHS INDICATED IN NFPA-13 SHALL BE INCREASED BY 39%.
10. MAXIMUM FLOW VELOCITY SHALL NOT EXCEED 32 F.P.S.
11. ALL AUTOMATIC SPRINKLER HEADS, PIPE FITTINGS, PIPE HANGERS, AUTOMATIC CONTROL VALVES AND MANUAL CONTROL VALVES SHALL BEAR FACTORY MUTUAL APPROVAL AND SHALL BE APPROVED BY THE ENGINEER PRIOR TO INSTALLATION.
12. ALL EXPOSED PIPE, FITTINGS, HANGERS AND SUPPLEMENTARY STEEL SHALL BE PAINTED.
13. ENDS OF ALL CROSS MAINS SHALL BE PROVIDED WITH THREADED FLUSHING CONNECTION NO MORE THAN 2 INCHES IN DIAMETER.
14. PROVIDE AUXILIARY DRAINS FOR ALL BELOW DUCT SPRINKLERS AND OTHER TRAPPED SECTIONS. PIPING TO ONE SINGLE SPRINKLER IS EXCLUDED.
15. PROVIDE FLUSHING CONNECTIONS WHERE REQUIRED BY NFPA AND F.M.
16. COORDINATE WITH OWNER FOR ALL SHUTDOWNS.
17. PROVIDE TEST CONNECTIONS AT HIGHEST POINT OF MAIN PORTION OF EACH SPRINKLER SYSTEM, WITH 1" PIPE AND VALVE. TEST PIPE SHALL BE CONNECTED TO SPRINKLER PIPE AT LEAST 1-1/4" IN SIZE AND SHALL DISCHARGE OUTSIDE BUILDING OR THROUGH 1/2" SMOOTH BORE BRASS OUTLET, WHERE IT CAN BE EASILY SEEN.
18. PROVIDE ADDITIONAL HEADS UNDER DUCTWORK LARGER THAN 48" WIDE.



P:\P060000\P060106-G - Landmark Mercy - Ideal Me - Dr. Baskin Drawings\Fp\P060106-G.FP-2.0.dwg 02/28/08 9:09 AM tblancha

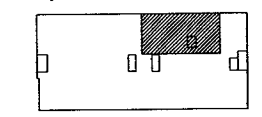


1 FLOOR PLAN
SCALE: 1/8"=1'-0"

LANDMARK HEALTHCARE FACILITIES, LLC

839 North Jefferson Street
Milwaukee, Wisconsin 53202
Telephone: (414) 277-0500
Facsimile: (414) 277-1055

Key Plan



NORTH



Revisions

AKF

engineers

1500 WALNUT STREET, SUITE 1400
PHILADELPHIA, PA. 19102
215.735.7290 TEL. 215.735.6796 FAX
AKF PROJ. NO. P060106-G

ARLINGTON - BOSTON - NEW YORK - PHILADELPHIA
PRINCETON - STAMFORD - MEXICO CITY

Sheet

Fire Protection Floor Plan

Project

MERCY HOSPITAL
Medical Office Bldg.
Portland, Maine

"Ideal Me"
Dr. Baskin Suite
Suite 170

Date

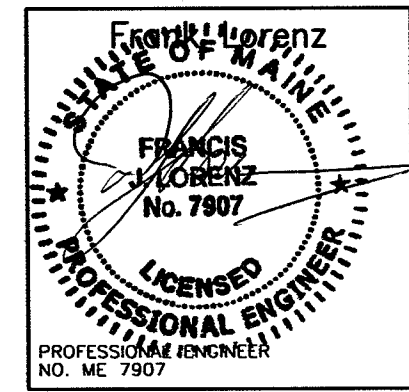
February 29, 2008

Project No.

F07-5256.06

Sheet No.

FP-2.0



ISSUED FOR CONSTRUCTION

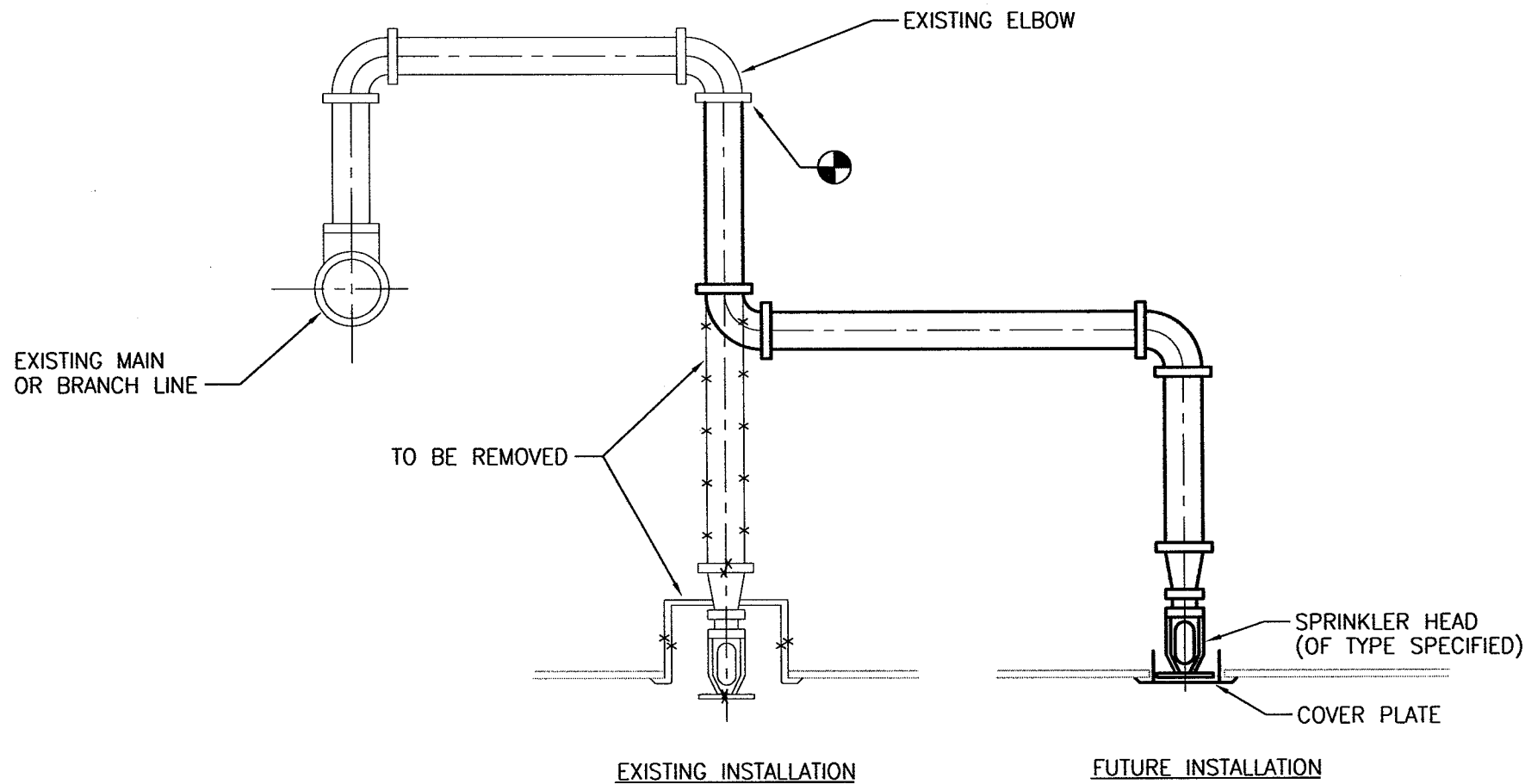
P:\P060000\P060106-G - Landmark Mercy - Ideal Me - Dr. Baskin\Drawings\Fp\P060106-G.FP-3.0.dwg 02/28/08 9:09 AM tbiancho

SPRINKLER HEAD SCHEDULE

TYPE	DESIGNATION	UPRIGHT	PENDENT	FLUSH PLATE SPKR.	RECESSED	SIDEWALL (CHROME FINISH)	SIDEWALL (NATURAL BRONZE FINISH)	FLUSH PENDENT	DRY	QUICK RESPONSE	EXTENDED COVERAGE	EXIST SPR HO TO BE REMOVED/RELOCATED	EXIST SPRINKLER HD	MANUFACTURER					REMARKS				
														CENTRAL	RELIABLE	GRINNELL	STAR	VIKING					
														MODEL NUMBER									
	○												●										
	⊗											●											
	●			●						●							F4FR						K=5.6, 1/2" ORIFICE 165°F RATING

NOTES:

1. PROVIDE ESCUTCHEONS WHEN PENETRATING EXPOSED WALL.
2. COLOR SELECTION BY ARCHITECT.

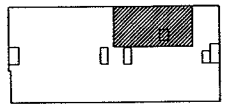


TYPICAL SPRINKLER RELOCATION

LANDMARK HEALTHCARE FACILITIES, LLC

839 North Jefferson Street
Milwaukee, Wisconsin 53202
Telephone: (414) 277-0500
Facsimile: (414) 277-1055

Key Plan



NORTH



Revisions

AKF

engineers

1500 WALNUT STREET, SUITE 1400
PHILADELPHIA, PA 19102
215.735.7290 TEL 215.735.6706 FAX
AKF PROJ. NO. P060106-G

ARLINGTON - BOSTON - NEW YORK - PHILADELPHIA
PRINCETON - STAMFORD - MEXICO CITY

Sheet

Fire Protection
Schedules
And Details

Project

MERCY HOSPITAL
Medical Office Bldg.
Portland, Maine

"Ideal Me"
Dr. Baskin Suite
Suite 170

Date

February 29, 2008

Project No.

F07-5256.06

Sheet No.

FP-3.0

