

LANDMARK HEALTHCARE FACILITIES LLC

Mercy Hospital
 Fore River Medical Pavilion
 Dr. McNally Suite
 Suite No.: 110
 Floor No.: 1st

Architectural

Francis Cauffman
 2120 Arch Street
 Philadelphia, PA 19103
 Ph 215.568.8250
 Fx 215.568.2639
 O'Donnell & Naccarato
 111 S. Independence Mall
 Suite 950
 Philadelphia, PA 19106
 Ph 215-925-3788
 Fx 215-627-1051

Structural

AKF ENGINEERS, LLP
 1500 Walnut Street
 Suite 1400
 Philadelphia, PA 19102
 Ph 215-735-7290
 Fx 215-735-6706

Mechanical/Plumbing

AKF ENGINEERS, LLP
 1500 Walnut Street
 Suite 1400
 Philadelphia, PA 19102
 Ph 215-735-7290
 Fx 215-735-6706

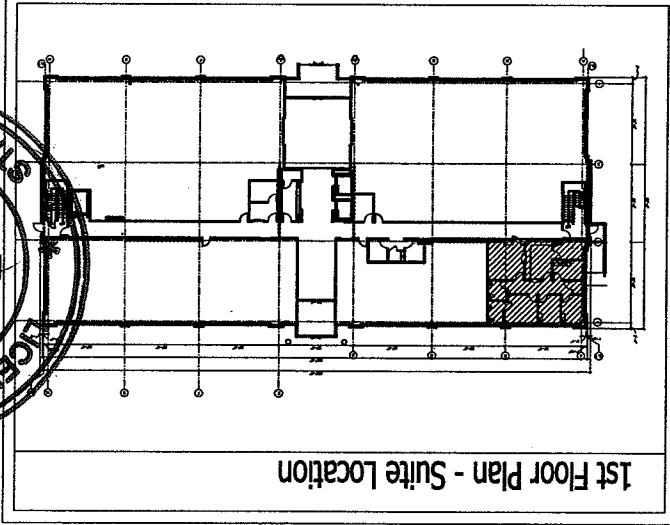
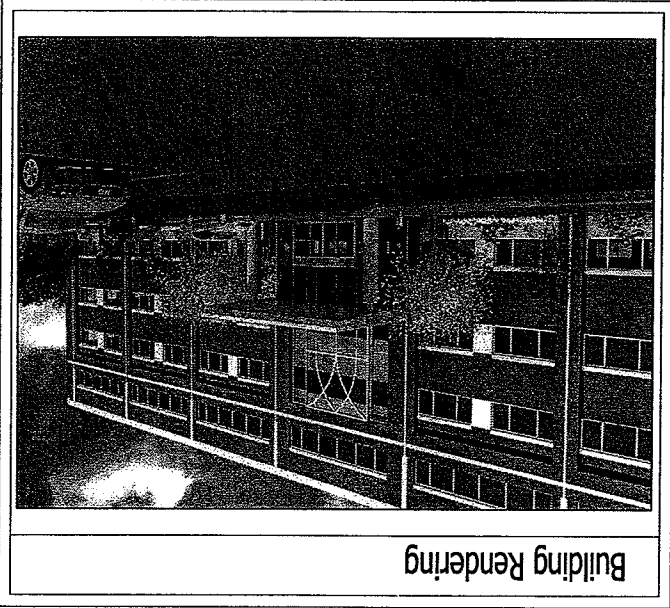
Electrical

AKF ENGINEERS, LLP
 1500 Walnut Street
 Suite 1400
 Philadelphia, PA 19102
 Ph 215-735-7290
 Fx 215-735-6706

Fire Protection

T1.1	Title Sheet
T1.2	Title Sheet
A6.1	Floor Plan - Architectural (Partial)
A6.2	Floor Plan - Furnishings, Power and Equipment Locations
A7.1	Room Finish Schedule and Details
A8.1	Interior Elevations
A8.2	Standard Casework Elevations
A8.3	Casework Sections
A8.4	Casework and Countertop Details
A9.1	Reflected Ceiling Plan
A10.1	Partition Types
A10.2	Partition Types and Details
A10.3	Interior Details
A10.4	Interior Details
A10.5	Interior Details
A11.1	Door Schedule and Details
A11.2	Equipment by Tenant Schedule

P-1.0	Plumbing Cover Sheet
P-1.1	Plumbing General Notes
P-2.0	Plumbing Floor Plan Power
P-3.0	Plumbing Schedules
P-4.0	Plumbing Details
P-5.0	Plumbing Risers
E-1.0	Electrical Cover Sheet
E-2.0	Electrical Floor Plan Power
E-3.0	Electrical Floor Plan Lighting
E-4.0	Electrical Floor Plan Misc. Systems
E-5.0	Electrical Schedules
E-5.1	Electrical Schedules
E-6.0	Electrical Details
FP-1.0	Fire Protection Cover Sheet
FP-2.0	Fire Protection Floor Plan
FP-3.0	Fire Protection Schedules/Details
H-1.0	HVAC Cover Sheet
H-2.0	HVAC Floor Plan
H-3.0	HVAC Schedules



Building Data / Code Summary
 1,250 S.F.

1. Code Reference: Building Code - International Building Code 2003
 Accessibility Code - Maine Accessibility Code ICC / ANSI A117.1
 Plumbing Code - International Plumbing Code 2003
 Fire Protection Code - NFPA Code / City of Portland
 Mechanical Code - International Mechanical Code 2003
 Electrical Code - NEC National Electric Code 2005

2. Occupancy / Use Group: Business Use Group B (IBC Code 2003)
 New Business Occupancy (NFPA-101)
 Type II (000) - Unprotected, Noncombustible with approved supervised automatic sprinkler system / NFPA-101/220.
 NFPA 13 - Install, or Sprinkler Systems, Ordinary Hazard

3. Construction Type: Type II-B with apvrd. automatic sprinkler system / IBC 2003
 Type II (000) - Unprotected, Noncombustible with approved supervised automatic sprinkler system / NFPA-101/220.

4. Fire Resistance:
 Exterior Wall - 0 Hr.
 Shaft Wall - 1 Hr.
 Corridor Wall - 0 Hr.
 Demising Wall - 2 Hr.
 Floor/Roof Construction - 0 Hr.
 Columns/Beams - 0 Hr.

5. Fire Protection System: Fully Sprinkled, Manual Fire Alarm

ISSUED FOR 100% SIGNED AND SEALED DOCUMENTATION

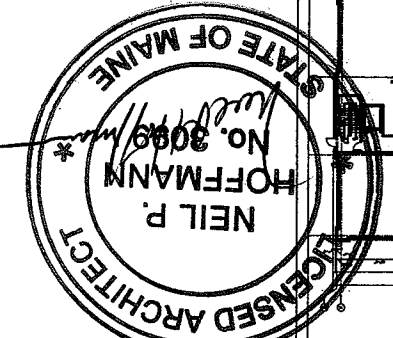
LANDMARK HEALTHCARE FACILITIES, LLC
 839 North Jefferson Street
 Milwaukee, Wisconsin 53202
 Telephone: (414) 277-0500
 Facsimile: (414) 277-1055

Key Plan

NORTH

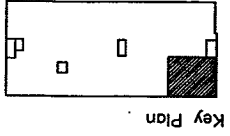
Revisions

1 12.14.2007



Project
MERCY HOSPITAL
 Medical Office Bldg.
 Portland, Maine
 Dr. McNally Suite
 Suite 110
 Date
 December 14, 2007
 Project No.
 F07-5256.04
 Sheet No.
 T1.1

Title Sheet



Revisions

1 12.14.2007



Sheet
 Title Sheet

Project
MERCY HOSPITAL
 Medical Office Bldg.
 Portland, Maine

Dr. McNally Suite
 Suite 110

Date
 December 14, 2007

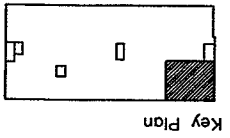
Project No.
 F07-5256.04

Sheet No.
 T1.2

ISSUED FOR 100% SIGNED AND SEALED DOCUMENTATION

GENERAL NOTES

1. SUITE AREAS SHALL BE FINISHED IN THE CORE AND SHELL BUILDING PHASE AS NOTED BELOW:
 - A) EXTERIOR STUD WALLS: EXPOSED STUDS, INSULATION AND VAPOR BARRIER IF INDICATED BY WALL SECTIONS
 - B) EXTERIOR CONCRETE WALLS: EXPOSED STUDS OR FURRING, INSULATION AND VAPOR BARRIER
 - C) INTERIOR FIRE RATED PARTITIONS: TAPED GYPSUM BOARD
 - D) INTERIOR NON-RATED PARTITIONS: EXPOSED STUDS (AND INSULATION IF APPLICABLE BY WALL TYPE)
 - E) CEILING: EXPOSED STRUCTURE
 - F) FLOORS ON GRADE: GRANULAR FILL OVER VAPOR BARRIER WITH CONCRETE SLAB, INCLUDE IN SHELL AND CORE CONTRACT. SLABS IN TENANT SUITES TO BE POURED AS TENANT CONSTRUCTION DRAWINGS BECOME AVAILABLE.
 - G) FLOORS AT UPPER LEVEL: EXPOSED STRUCTURE
 - H) COLUMNS UNRATED: EXPOSED STEEL OR CONCRETE
 - J) COLUMNS RATED: FIRE PROOFING ON STEEL OR EXPOSED CONCRETE
2. EXTERIOR WALL BELOW FINISH CEILING SHALL BE INSULATED WITH UN-FACED BATT INSULATION IN METAL STUDS AND VAPOR BARRIER ONLY IN SUITE AREAS. DRYWALL AND FINISH SHALL BE PROVIDED IN SUITE AREA BUILD-OUT CONTRACT AFTER OUTLETS HAVE BEEN LOCATED.
3. EXTERIOR WALL ABOVE FINISH CEILING SHALL BE SIMILAR TO NOTE 2 ABOVE PLUS EXTERIOR WALL SHALL RECEIVE 1/4" GYPSUM BOARD TO PROTECT INSULATION AND VAPOR BARRIER ABOVE CEILING. CONTRACTORS SHALL VERIFY FINISH CEILING HEIGHT WITH LANDMARK PRIOR TO START OF CONSTRUCTION AND SHALL PLACE 1/4" GYPSUM BOARD STARTING 6" ABOVE FINISH CEILINGS.
4. SPACE ABOVE "CEILING" IS A RETURN AIR PLENUM. WIRING IN PLENUMS SHALL COMPLY WITH THE REQUIREMENTS OF THE APPLICABLE EDITION OF THE NATIONAL ELECTRIC CODE. LOW VOLTAGE WIRING ABOVE CEILINGS OF CORRIDORS, TELEPHONE AND ELECTRICAL ROOMS IN THE BASE BUILDING, WHICH ARE NON-PLENUM AREAS, MAY BE EXPOSED WHEN THE FLOOR/CEILING OR ROOF CEILING IS NOT A U.L. ASSEMBLY; BUT MUST COMPLY WITH PLENUM REQUIREMENTS WHEN PART OF A U.L. ASSEMBLY. LOW VOLTAGE WIRING IS NOT TO BE RUN IN THE CEILING SPACE ABOVE PUBLIC RESTROOMS, ELEVATOR ROOMS, OR MECHANICAL ROOMS.
5. EXTERIOR WALL AT BRACE FRAME SHALL BE INSULATED WITH UN-FACED BATT INSULATION AND A VAPOR BARRIER IN SUITE AREA. A SECOND PARTITION SIMILAR TO TYPE "K" SHALL BE PROVIDED AROUND BRACE FRAME. DRYWALL AND FINISH SHALL BE PROVIDED IN A SUITE AREA BUILD-OUT AFTER OUTLETS HAVE BEEN LOCATED. REFER TO DETAIL 5 "FINISH AT STRUCTURAL BRACE FRAME" ON SHEET A10.2
6. SEE SHEETS A10.1 AND A10.2 FOR PARTITION TYPES.
7. DIMENSIONS ARE FACE OF WALL TO FACE OF WALL (NOMINAL).



Revisions

1 12.14.2007

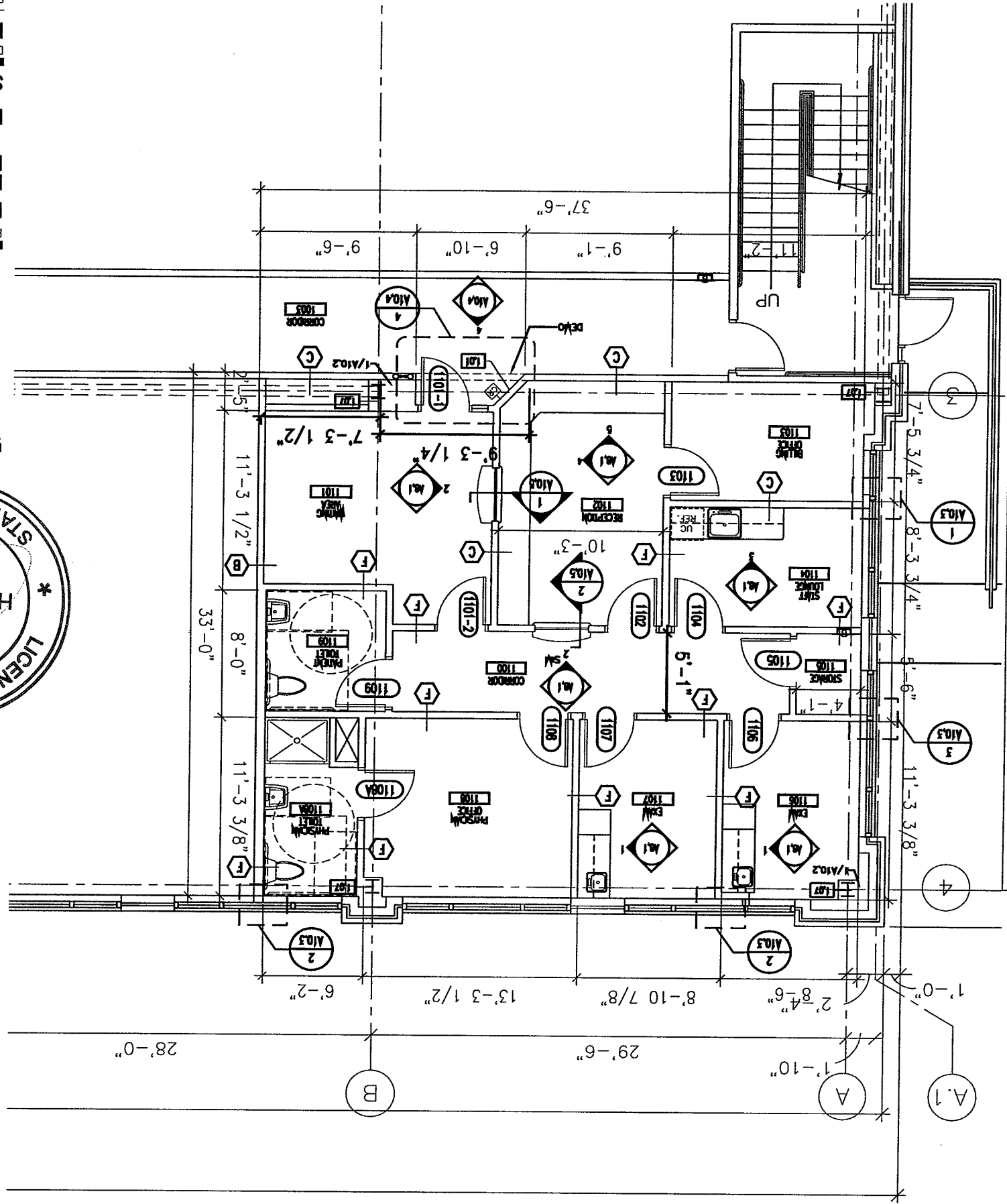


Sheet
Floor Plan - Architectural (Partial)

Project
MERCY HOSPITAL
 Medical Office Bldg.
 Portland, Maine
 Dr. McNally Suite
 Suite 110
 Date
 December 14, 2007
 Project No.
 F07-5256.04
 Sheet No.
A6.1

ISSUED FOR 100% SIGNED AND SEALED DOCUMENTATION

FLOOR PLAN
 SCALE: 1/8" = 1'-0"



GENERAL NOTES

1. PROVIDE INSULATION AND GYPSUM BOARD FINISH ON METAL STUDS PROVIDED IN SHELL AND CORE WORK - FIELD VERIFY AND CLARIFY ALL CONDITIONS PRIOR TO BIDDING.
2. USE WATER RESISTANT GYPSUM BOARD IN TOILET ROOMS AND OTHER SIMILAR ROOMS.
3. ALL CHANGES TO SHELL AND CORE WORK DUE TO TENANT WORK SHALL BE INCLUDED IN THE COST FOR TENANT WORK.
4. DIMENSIONS ARE FACE TO FACE (NOMINAL) OF FINISH MATERIAL, UNLESS NOTED OTHERWISE.
5. PROVIDE MINI-BLINDS IN ALL TENANT SUITE WINDOWS ANCHORED TO ALUMINUM FRAME.

KEY NOTE LEGEND

1.01	SUITE ENTRY PLAQUE - SEE DETAIL 4/A10.4
1.02	COAT RACK - SEE DETAIL 2/A10.4
1.03	(5) 1" 4" PLASTIC LAMINATE SHELVES ON ADJUSTABLE STANDARDS
1.04	ALIGN SURFACE WITH ADJACENT SURFACE
1.05	GROMMET HOLE IN COUNTERTOP
1.06	TELEPHONE BACKBOARD
1.07	GYPSUM BOARD FINISH ON SHELL AND CORE
1.08	METAL STUDS PROVIDED BY OTHERS
1.09	FIRE EXTINGUISHER AND BRACKET
1.09	SPECIMAN PASS-THRU

LEGEND

ROOM NAME / NUMBER	XXX
SHELL AND CORE WORK	TO BE DEMOLISHED
KEY NOTE SYMBOL - SEE KEY	1.00
NOTE LEGEND FOR DETAILS	AX.X
REVISION REFERENCE MARK	XXX-1
DOOR REFERENCE MARK	X
PARTITION REFERENCE MARK	CR

ELEVATION DETAIL SYMBOL

1. ELEVATION NUMBER
 2. SHEET NUMBER
 3. SECTION DETAIL SYMBOL
 4. DETAIL NUMBER

ELEVATION DETAIL SYMBOL

1. ELEVATION NUMBER
 2. SHEET NUMBER
 3. SECTION DETAIL SYMBOL
 4. DETAIL NUMBER

SECTION DETAIL SYMBOL

1. ELEVATION NUMBER
 2. SHEET NUMBER
 3. SECTION DETAIL SYMBOL
 4. DETAIL NUMBER

ROOM NO.	ROOM NAME	FLOOR				WALLS				CEILING
		FINISH	BASE	NORTH	SOUTH	EAST	WEST			
1100	CORRIDOR	CPT-1	CB-	WVC-	WVC-	WVC-	WVC-	WVC-	WVC-	ACT-1
1101	WAITING AREA	CT-	CT-	WVC-	WVC-	WVC-	WVC-	WVC-	WVC-	ACT-1
1102	RECEPTION	CPT-1	RB-	PT-	PT-	PT-	PT-	PT-	PT-	ACT-1
1103	BILLING OFFICE	CPT-1	RB-	PT-	PT-	PT-	PT-	PT-	PT-	ACT-1
1104	STAFF LOUNGE	VCT-1	RB-	PT-	PT-	PT-	PT-	PT-	PT-	ACT-1
1105	STORAGE	VCT-1	RB-	PT-	PT-	PT-	PT-	PT-	PT-	ACT-1
1106	EXAM	VCT-1	RB-	PT-	PT-	PT-	PT-	PT-	PT-	ACT-1
1107	EXAM	VCT-1	RB-	PT-	PT-	PT-	PT-	PT-	PT-	ACT-1
1108	PHYSICIAN OFFICE	CPT-1	RB-	PT-	PT-	PT-	PT-	PT-	PT-	ACT-1
1108A	PHYSICIAN TOILET	CT-	CT-	PT-	PT-	PT-	PT-	PT-	PT-	ACT-1
1109	PATIENT TOILET	CT-	CT-	PT-	PT-	PT-	PT-	PT-	PT-	ACT-1

ROOM FINISH SCHEDULE

INTERIOR FINISH LEGEND

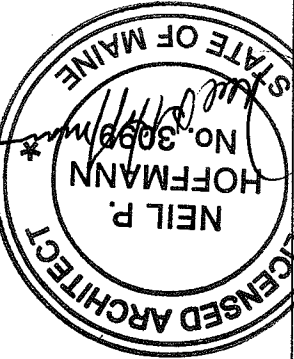
CPT-1	CAMBRIDGE, "ROYAL TROON #26812"
CPT-2	CAMBRIDGE, "ROYAL TROON #26806"
CPT-3	CAMBRIDGE, "ROYAL TROON #26809"
CPT-4	CAMBRIDGE, "ROYAL TROON #26805"
CPT-5	CAMBRIDGE, "ROYAL TROON #26811"
CPT-6	CAMBRIDGE, "ROYAL TROON #26803"
CPT-7	CAMBRIDGE, "ST. ANDREW #26710"
CPT-8	CAMBRIDGE, "ST. ANDREW #26706"
CPT-9	CAMBRIDGE, "ST. ANDREW #26704"
CPT-10	CAMBRIDGE, "ST. ANDREW #26707"
CPT-11	CAMBRIDGE, "ST. ANDREW #26711"
CPT-12	CAMBRIDGE, "ST. ANDREW #26708"
CPT-13	CAMBRIDGE, "CROSSROADS 36 #CRS16"
CPT-14	CAMBRIDGE, "CROSSROADS 36 #CRS31"
CPT-15	CAMBRIDGE, "CROSSROADS 36 #CRS18"
CPT-16	CAMBRIDGE, "CROSSROADS 36 #CRS36"
CPT-17	CAMBRIDGE, "CROSSROADS 36 #CRS13"
CPT-18	CAMBRIDGE, "CROSSROADS 36 #CRS37"
CB	CARPET BASE TO MATCH
VCT-1	VCT - VINYL TILE
VCT-1	TARKETT, "DESERT SAND #1337"
RB-1	JOHNSONITE, "BEIGE #49"
RB-2	JOHNSONITE, "CHARCOAL #20"
RB-3	JOHNSONITE, "THUNDER #168"
RB-4	JOHNSONITE, "BROWN #47"
CT-1	DAL-TILE, "ALMOND MATT #X735"
CT-2	DAL-TILE, "BROWNSTONE MOSAICS #DK156"
PT-1	BEN MOORE, "SEA URCHIN #1052"
PT-2	BEN MOORE, "CAYMAN ISLANDS #952"
PT-3	BEN MOORE, "NATURE'S ESSENTIALS #1521"
WVC-1	KOROSEAL, "CIP MOUNTAIN TRIAL #19"
WVC-2	KOROSEAL, "CIP TAWNY TAUPE #36"
WVC-3	KOROSEAL, "CIP LA TERRA #46"
WVC-4	KOROSEAL, "CIP SAND STONE #04"
WVC-5	KOROSEAL, "CIP TOASTED ALMOND #12"
WVC-6	KOROSEAL, "CIP ACAPULCO #07"
WVC-7	KOROSEAL, "CIP FLINT #24"
WVC-8	KOROSEAL, "CIP PRAIRIE DUST #15"
WVC-9	KOROSEAL, "CIP SEAL ROCK #81"
WVC-10	KOROSEAL, "CIP ISLE #88"
WVC-11	KOROSEAL, "CIP FOUNTAIN HEAD #30"
WVC-12	KOROSEAL, "CIP ARROWHEAD #97"
WVC-13	KOROSEAL, "CIP TUMBLEWEED #23"
ACT-1	USG, "F FISSURED SL #132"

RFS LEGEND

DESIGNATION	XX-X
FLOORS	FIELD COLOR ACCENT OR BORDER COLOR
WALLS	FIELD COLOR ACCENT OR BORDER COLOR

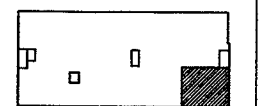
GENERAL NOTES

- HOLLOW METAL DOOR AND WINDOW FRAMES IN CORRIDOR WALLS SHALL BE PAINTED TO MATCH SHELL AND CORE HOLLOW METAL FRAMES.
- ALL OTHER HOLLOW METAL DOOR AND WINDOW FRAMES IN TENANT SUITE SHALL BE PAINTED TO MATCH RUBBER BASE COLOR.
- RUBBER FLOOR TRANSITION STRIP COLOR SHALL MATCH RUBBER BASE COLOR.



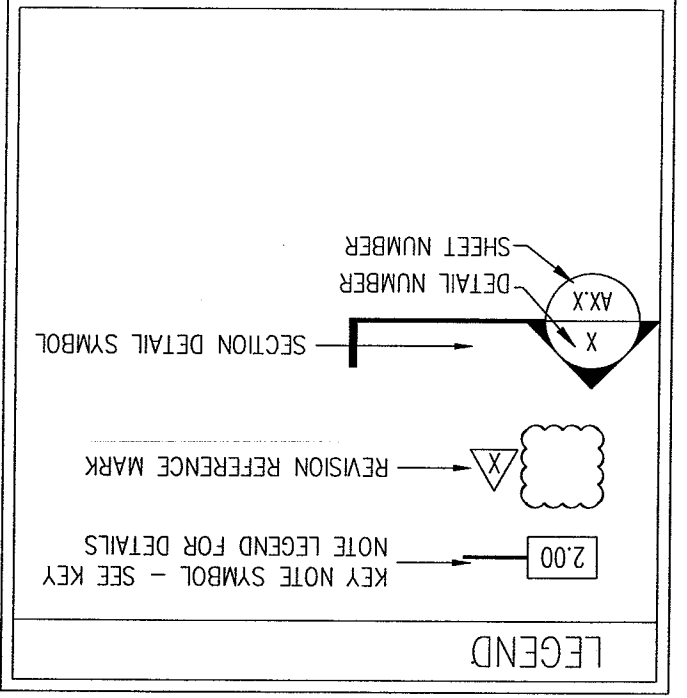
12.14.2007

Revisions



Key Plan

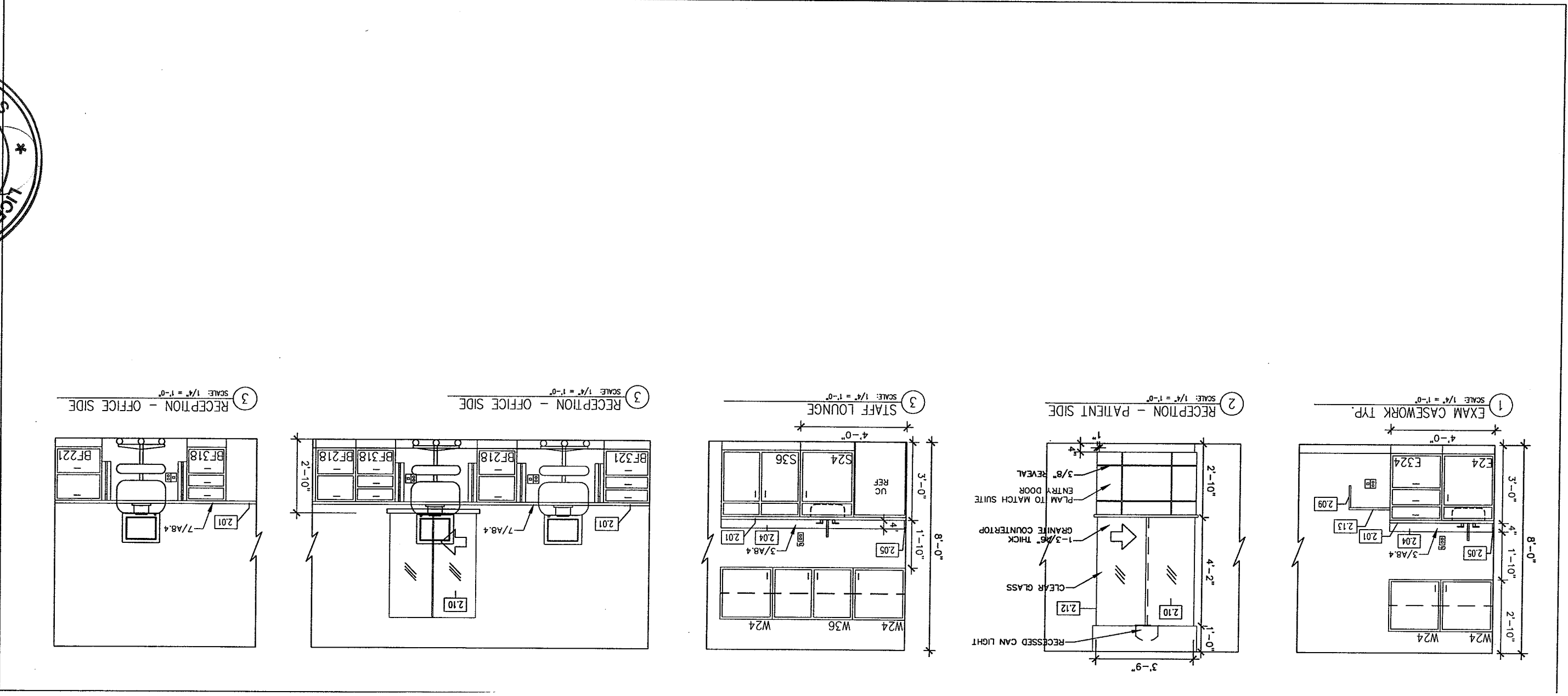
LANDMARK HEALTHCARE FACILITIES, LLC
 839 North Jefferson Street
 Milwaukee, Wisconsin 53202
 Telephone: (414) 277-0500
 Facsimile: (414) 277-1055



KEY NOTE LEGEND

2.01	PLASTIC LAMINATE COUNTERTOP	2.01	PLASTIC LAMINATE COUNTERTOP
2.02	3 1/2" PLASTIC LAMINATE APRON	2.05	4" PLASTIC LAMINATE SIDESPLASH
2.03	3 1/2" PLASTIC LAMINATE VALANCE	2.04	4" PLASTIC LAMINATE BACKSPLASH
2.04	4" PLASTIC LAMINATE BACKSPLASH	2.06	PLASTIC LAMINATE END PANEL
2.05	4" PLASTIC LAMINATE SIDESPLASH	2.07	PLASTIC LAMINATE FILLER PANEL
2.08	1'-4" PLASTIC LAMINATE SUPPORT BRACKET	2.09	1'-0" PLASTIC LAMINATE SUPPORT BRACKET
2.10	SLIDING GLASS RECEPTION COUNTER	2.16	SPECIMEN PASS-THRU CABINET
2.11	UNDERCOUNTER REFRIGERATOR SPACE	2.15	CAM LOCK
2.12	Gypsum BOARD CASED OPENING	2.14	GROMMET HOLE IN COUNTERTOP
2.13	24" PLASTIC LAMINATE WRITING SURFACE	2.13	24" PLASTIC LAMINATE WRITING SURFACE

- ### GENERAL NOTES
1. PLASTIC LAMINATE CABINETS SHALL BE PL-****, FORMICA #*****, UNLESS NOTED OTHERWISE
 2. PLASTIC LAMINATE COUNTERTOPS SHALL BE PL-****, FORMICA #*****, UNLESS NOTED OTHERWISE
 3. PROVIDE END SPLASH AT WALL AT COUNTERTOPS WITH BACKSPLASHES AND SINKS
 4. DIMENSIONS ARE FACE TO FACE (NOMINAL) OF FINISH MATERIAL, UNLESS NOTED OTHERWISE
 5. BASE FINISH MATERIAL AND ELECTRICAL DEVICES ARE NOT INDICATED FOR DRAWING CLARITY
 6. ALL FREESTANDING FURNITURE AND EQUIPMENT TO BE PROVIDED BY TENANT. FREESTANDING FURNITURE SHOWN FOR REFERENCE ONLY.



Sheet No. **A8.1**

Project No. **F07-5256.04**

Date **December 14, 2007**

Suite **110**

Dr. McNally Suite

Medical Office Bldg. Portland, Maine

Project **MERCY HOSPITAL**

Sheet **Interior Elevations**



Revisions

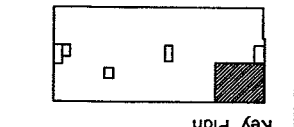
12.14.2007

Key Plan

NORTH

839 North Jefferson Street
Milwaukee, Wisconsin 53202
Telephone: (414) 277-0500
Facsimile: (414) 277-1055

LANDMARK HEALTHCARE FACILITIES, LLC



Revisions
 12.14.2007



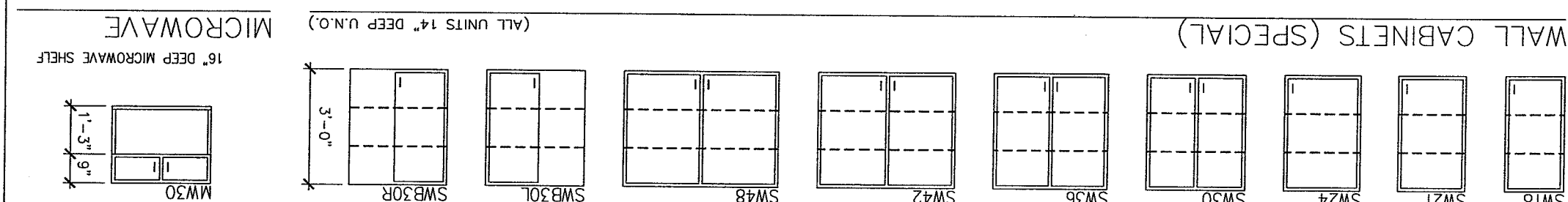
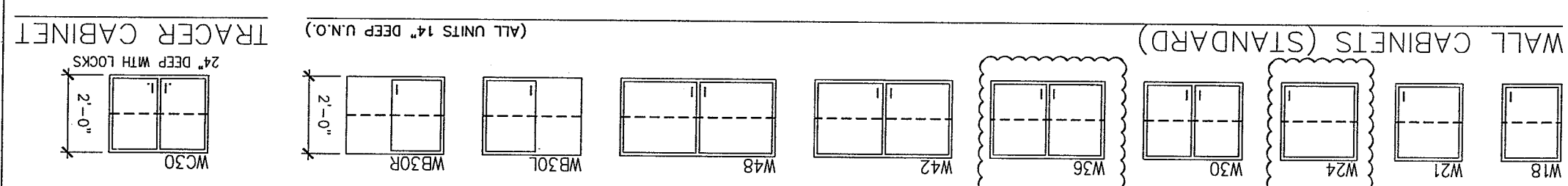
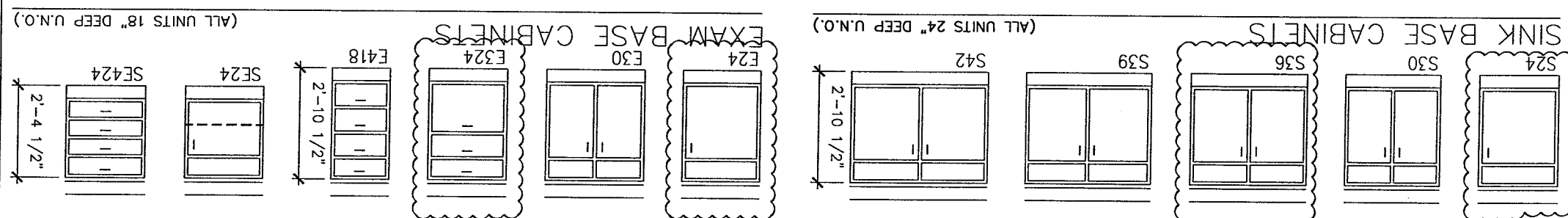
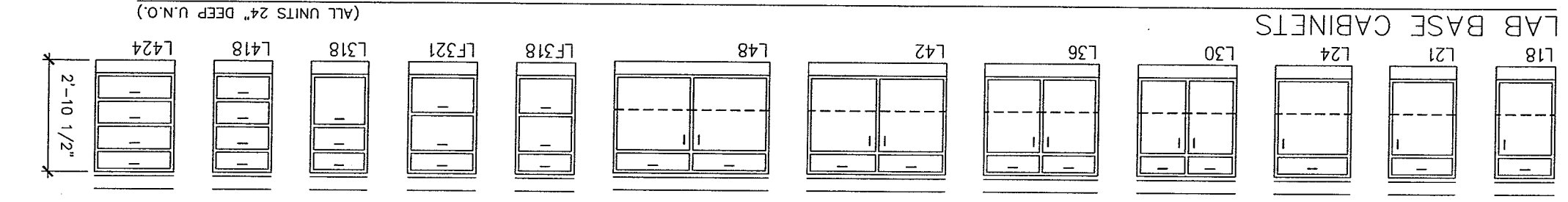
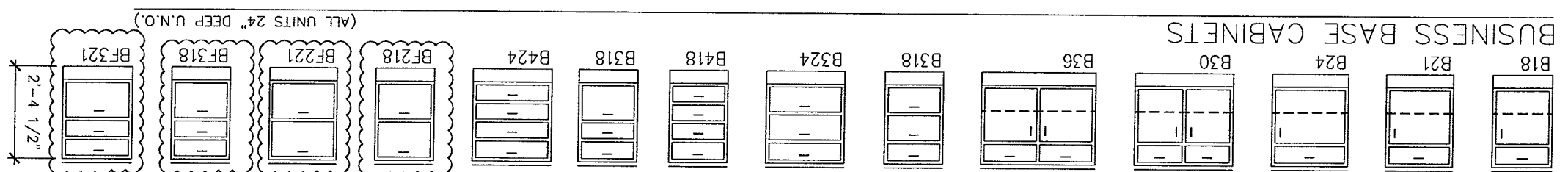
Standard Casework Elevations
 Sheet

MERCY HOSPITAL
 Medical Office Bldg.
 Portland, Maine
 Dr. McNally Suite
 Suite 110

Date
 December 14, 2007
 Project No.
 F07-5256.04
 Sheet No.
A8.2

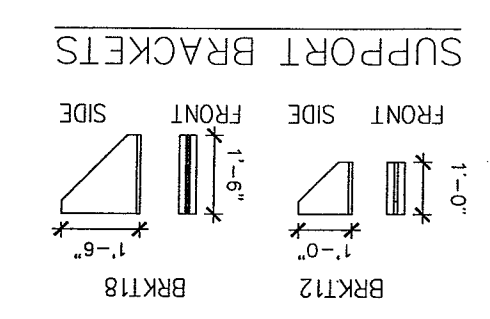
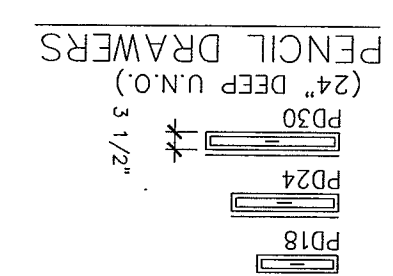
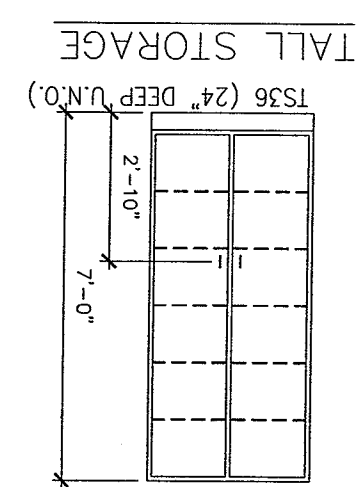
ISSUED FOR 100% SIGNED AND SEALED DOCUMENTATION

LAB BASE CABINETS	B324-	BUSINESS DRAWER BASE CABINET	WIDTH IN INCHES	
			NO. OF DRAWERS	
BUSINESS FILE DRAWER BASE CABINET	BF218-		WIDTH IN INCHES	
			NO. OF DRAWERS	
LAB DRAWER BASE CABINET	L324-		WIDTH IN INCHES	
			NO. OF DRAWERS	
LAB FILE DRAWER BASE CABINET	LF318-		WIDTH IN INCHES	
			NO. OF DRAWERS	
SINK BASE CABINET	S24-		WIDTH IN INCHES	
			NO. OF DRAWERS	
EXAM BASE CABINET	E24-		WIDTH IN INCHES	
			NO. OF DRAWERS	
SPECIAL EXAM BASE CABINET	SE24-		WIDTH IN INCHES	
			NO. OF DRAWERS	
SPECIAL EXAM BASE CABINET	SE424-		WIDTH IN INCHES	
			NO. OF DRAWERS	
WALL CABINET	W18-		WIDTH IN INCHES	
SPECIAL WALL CABINET	SW18-		WIDTH IN INCHES	
PENCIL DRAWER	PD24-		WIDTH IN INCHES	
TALL STORAGE CABINET	TS36-			
LEFT BLIND CORNER WALL CABINET	WB30L-			
RIGHT BLIND CORNER WALL CABINET	WB30R-			
TRACER COMPUTER WALL CABINET	WC30-			
MIRCORWAVE WALL CABINET	MW30-			

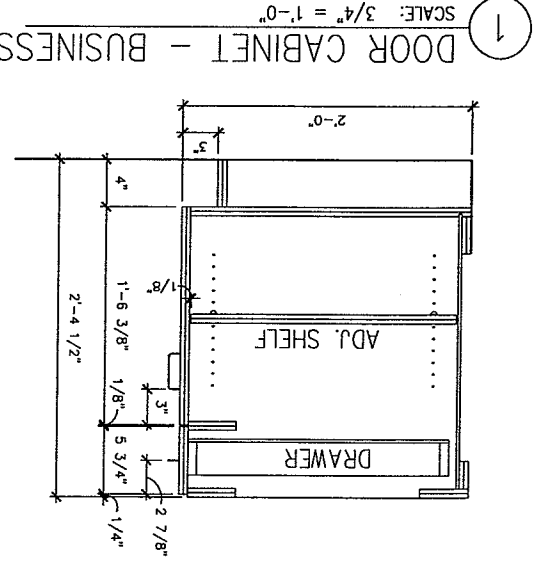


GENERAL NOTES

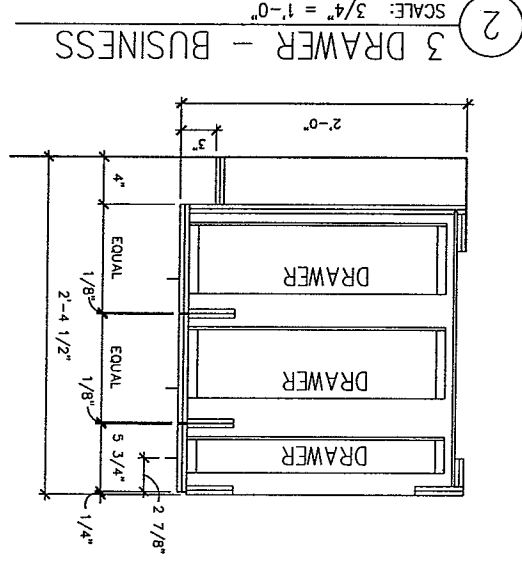
1. ALL CABINET AND COUNTERTOP MATERIAL IS 3/4" THICK UNLESS NOTED OTHERWISE. BACKS AND DRAWER BOTTOMS ARE 1/4" THICK. ALL OTHER CABINET AND COUNTERTOP COMPONENTS ARE 3/4" THICK UNLESS NOTED OTHERWISE.
2. THE BOTTOM OF ALL DRAWERS IS 5/16" (8MM) ABOVE EITHER THE CABINET BOTTOM OR THE HORIZONTAL BRACES.
3. WALL AND BASE CABINET CORNERS ARE TO BE RADIUSD.
4. ALL EXPOSED COUNTERTOP CORNERS ARE TO BE RADIUSD.



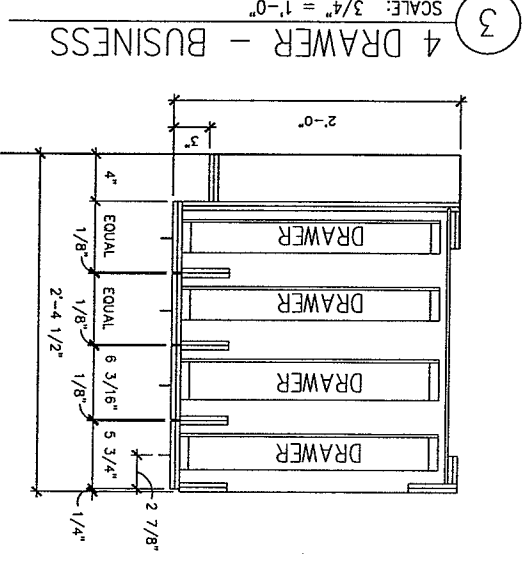
INDICATES DETAIL WAS USED



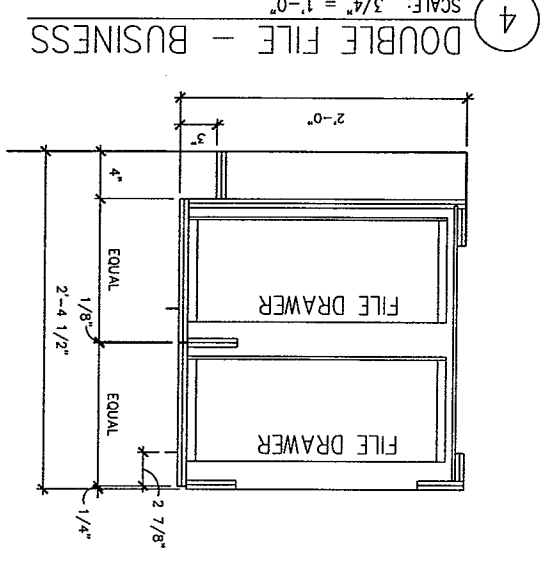
1 DOOR CABINET - BUSINESS
SCALE: 3/4" = 1'-0"



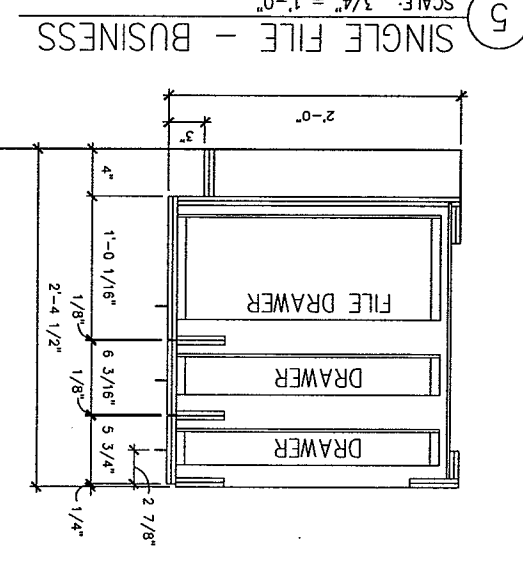
2 3 DRAWER - BUSINESS
SCALE: 3/4" = 1'-0"



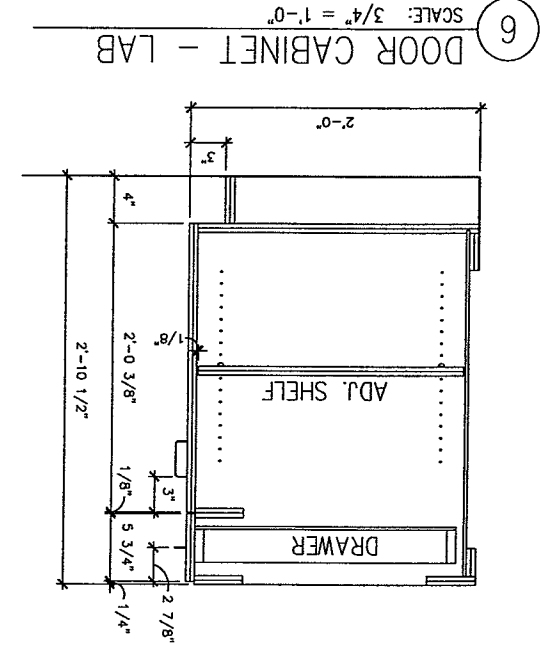
3 4 DRAWER - BUSINESS
SCALE: 3/4" = 1'-0"



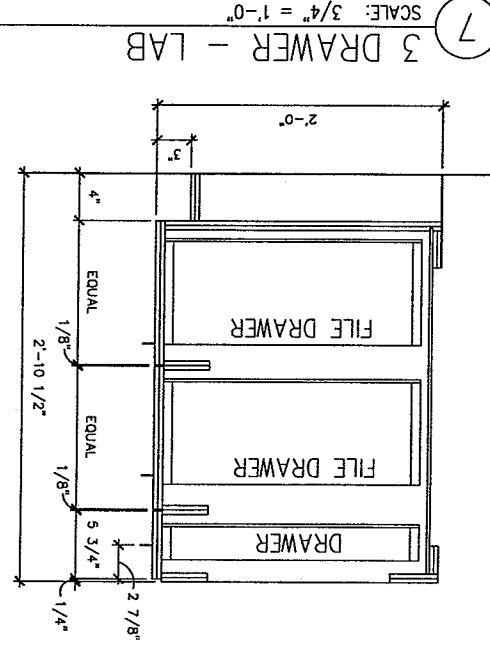
4 DOUBLE FILE - BUSINESS
SCALE: 3/4" = 1'-0"



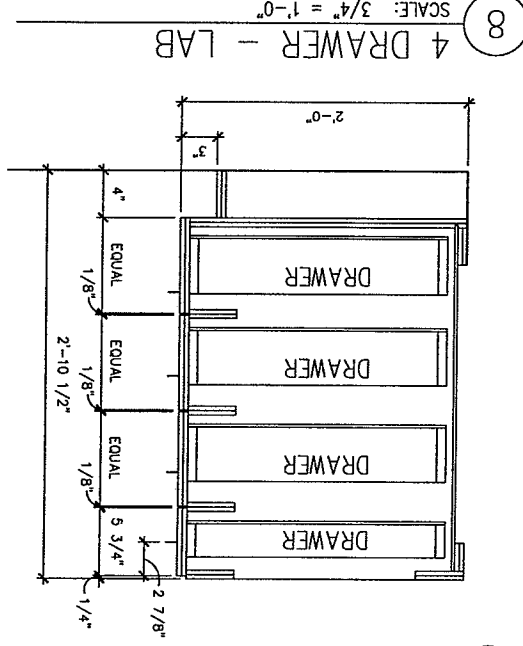
5 SINGLE FILE - BUSINESS
SCALE: 3/4" = 1'-0"



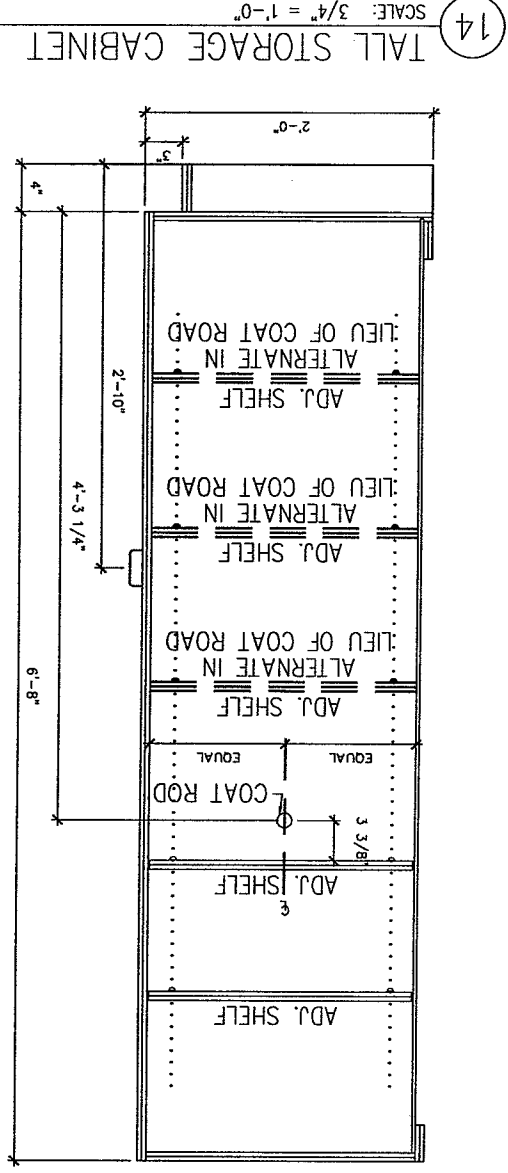
6 DOOR CABINET - LAB
SCALE: 3/4" = 1'-0"



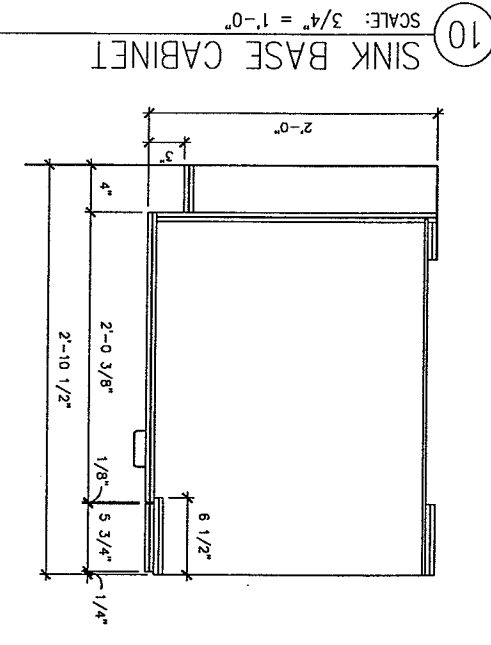
7 3 DRAWER - LAB
SCALE: 3/4" = 1'-0"



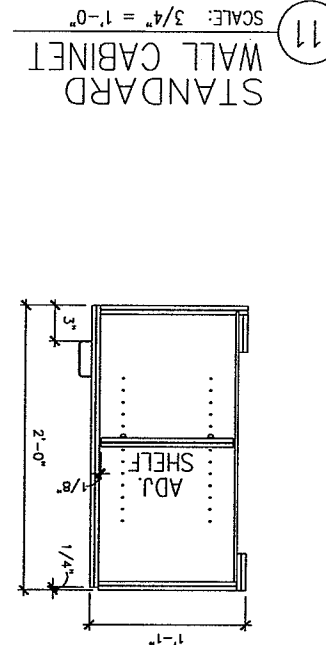
8 4 DRAWER - LAB
SCALE: 3/4" = 1'-0"



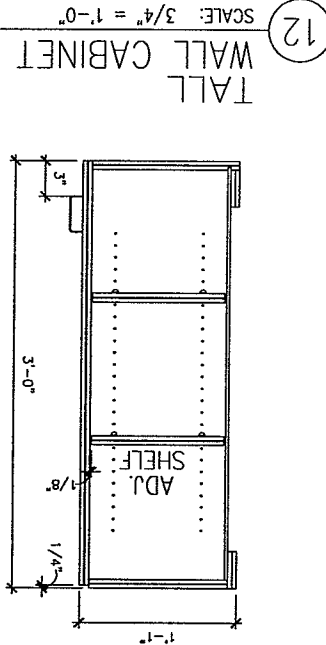
14 TALL STORAGE CABINET
SCALE: 3/4" = 1'-0"



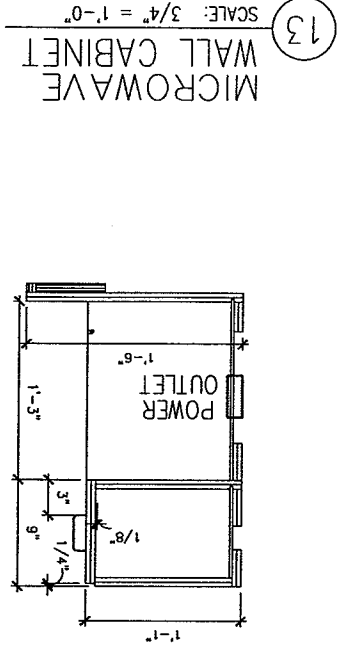
10 SINK BASE CABINET
SCALE: 3/4" = 1'-0"



11 STANDARD WALL CABINET
SCALE: 3/4" = 1'-0"



12 TALL WALL CABINET
SCALE: 3/4" = 1'-0"



13 MICROWAVE WALL CABINET
SCALE: 3/4" = 1'-0"

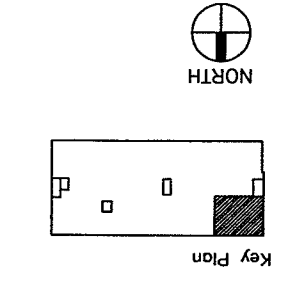
INDICATES DETAIL WAS USED

9 TRACER COMPUTER SPECIAL WALL CABINET
SCALE: 3/4" = 1'-0"

GENERAL NOTES

1. ALL CABINET AND COUNTERTOP MATERIAL IS 3/4" THICK UNLESS NOTED OTHERWISE
2. THE BOTTOM OF ALL DRAWERS IS 5/16" (8MM) ABOVE EITHER THE CABINET BOTTOM OR THE HORIZONTAL BRACES.
3. WALL AND BASE CABINET BACKS AND DRAWER BOTTOMS ARE 1/4" THICK ALL OTHER COMPONENTS ARE 3/4" THICK UNLESS NOTED OTHERWISE.
4. ALL EXPOSED COUNTERTOP CORNERS ARE TO BE RADIUS

LANDMARK HEALTHCARE FACILITIES, LLC
839 North Jefferson Street
Milwaukee, Wisconsin 53202
Telephone: (414) 277-0500
Facsimile: (414) 277-1055



Revisions
1 12.14.2007



Sheet
Casework
Sections

Project
MERCY HOSPITAL
Medical Office Bldg.
Portland, Maine
Dr. McNally Suite
Suite 110
Date
December 14, 2007

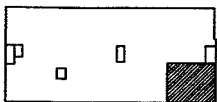
Project No.
F07-5256.04
Sheet No.
A8.3

ISSUED FOR 100% SIGNED AND SEALED DOCUMENTATION



1 12.14.2007

Revisions

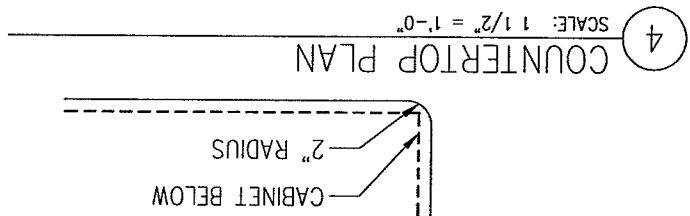
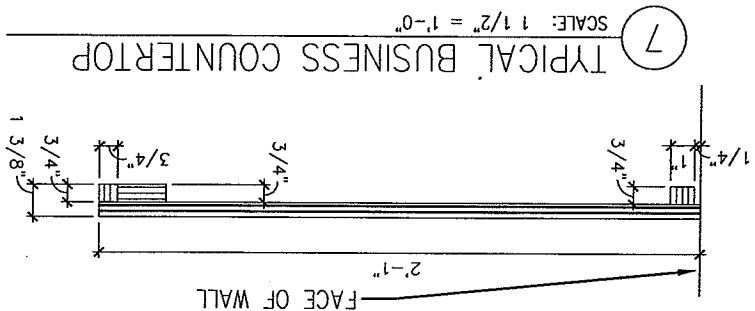


Key Plan

LANDMARK
HEALTHCARE
FACILITIES, LLC
839 North Jefferson Street
Milwaukee, Wisconsin 53202
Telephone: (414) 277-0500
Facsimile: (414) 277-1055

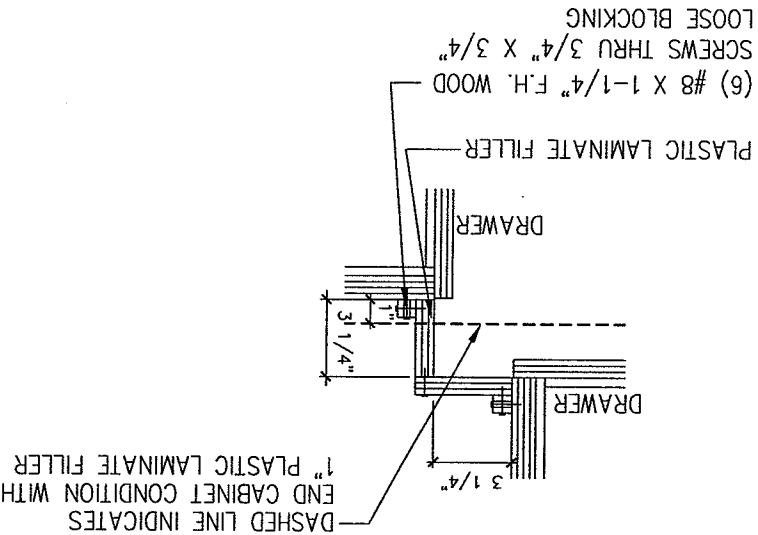
GENERAL NOTES

1. ALL CABINET AND COUNTERTOP MATERIAL IS 3/4" THICK UNLESS NOTED OTHERWISE
2. THE BOTTOM OF ALL DRAWERS IS 5/16" (8MM) ABOVE EITHER THE CABINET BOTTOM OR THE HORIZONTAL BRACES.
3. WALL AND BASE CABINET BACKS AND DRAWER BOTTOMS ARE 1/4" THICK. ALL OTHER COMPONENTS ARE 3/4" THICK UNLESS NOTED OTHERWISE.
4. ALL EXPOSED COUNTERTOP CORNERS ARE TO BE RADIUSED



DETAIL NOT USED

5 TYPICAL UPPER CABINET CORNER SCALE: 1 1/2" = 1'-0"



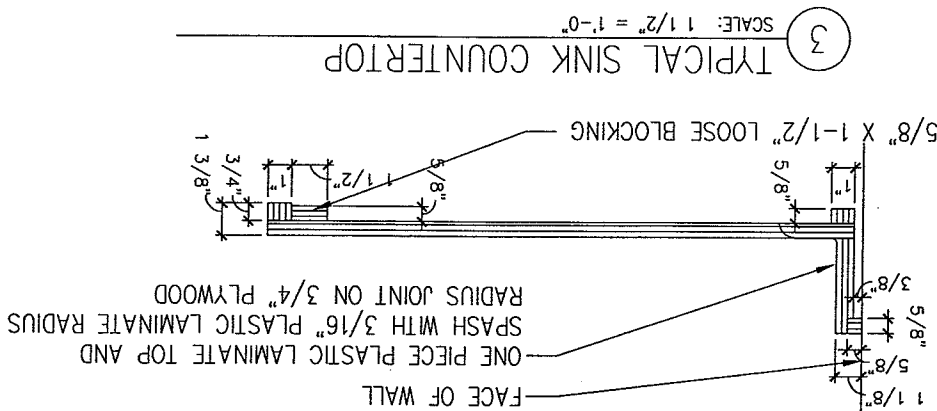
6 TYPICAL LOWER CABINET CORNER SCALE: 1 1/2" = 1'-0"

DETAIL NOT USED

1 PENCIL DRAWER SCALE: 1 1/2" = 1'-0"

DETAIL NOT USED

2 WALL BRACE / APRON SCALE: 1 1/2" = 1'-0"



DETAIL NOT USED

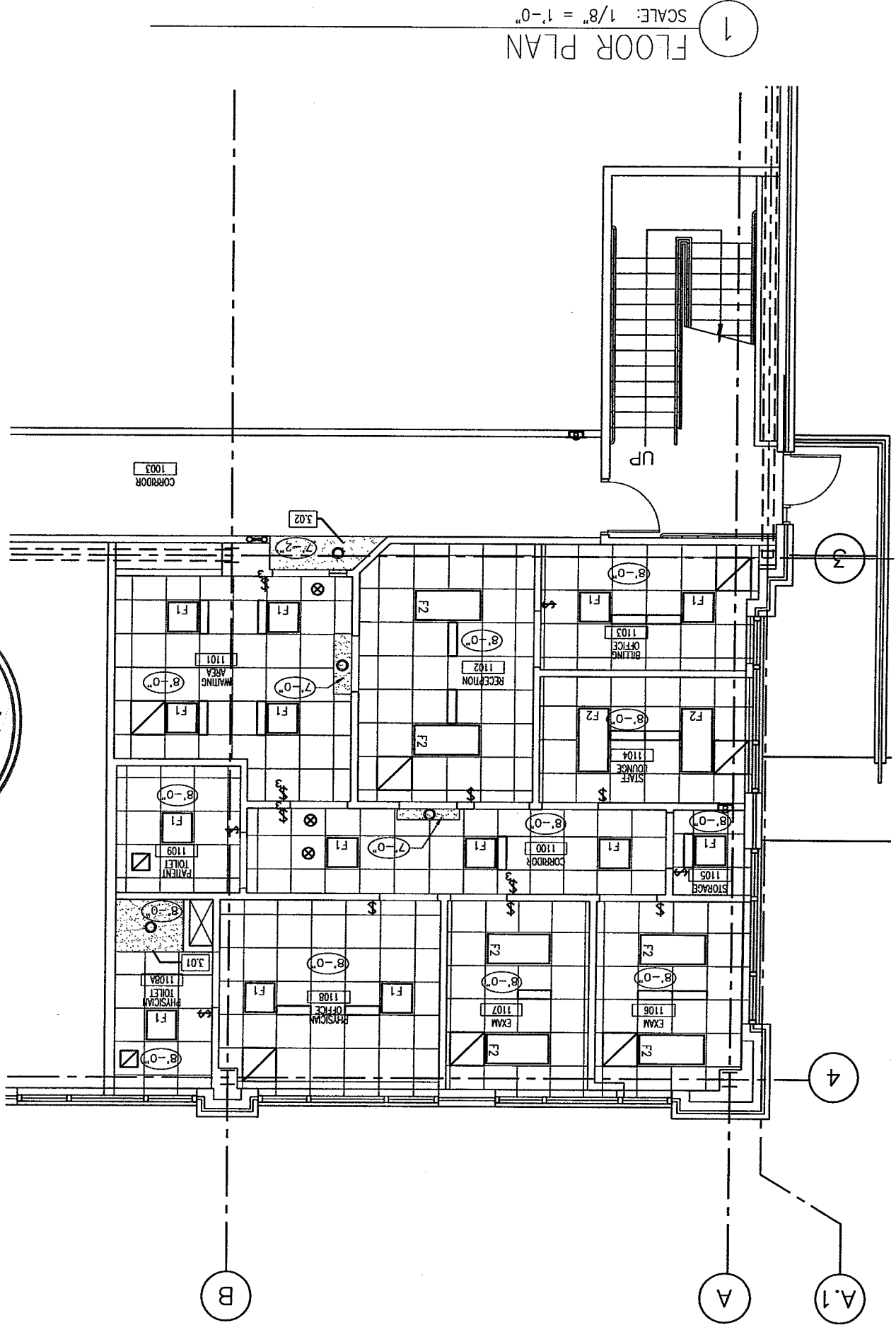


Revisions
 1 12.14.2007



Sheet *****
 Partial Floor Reflected Ceiling Plan

Project
MERCY HOSPITAL
 Medical Office Bldg.
 Portland, Maine
 Dr. McNally Suite
 Suite 110
 Date
 December 14, 2007
 Project No.
 F07-5256.04
 Sheet No.
 A9.1

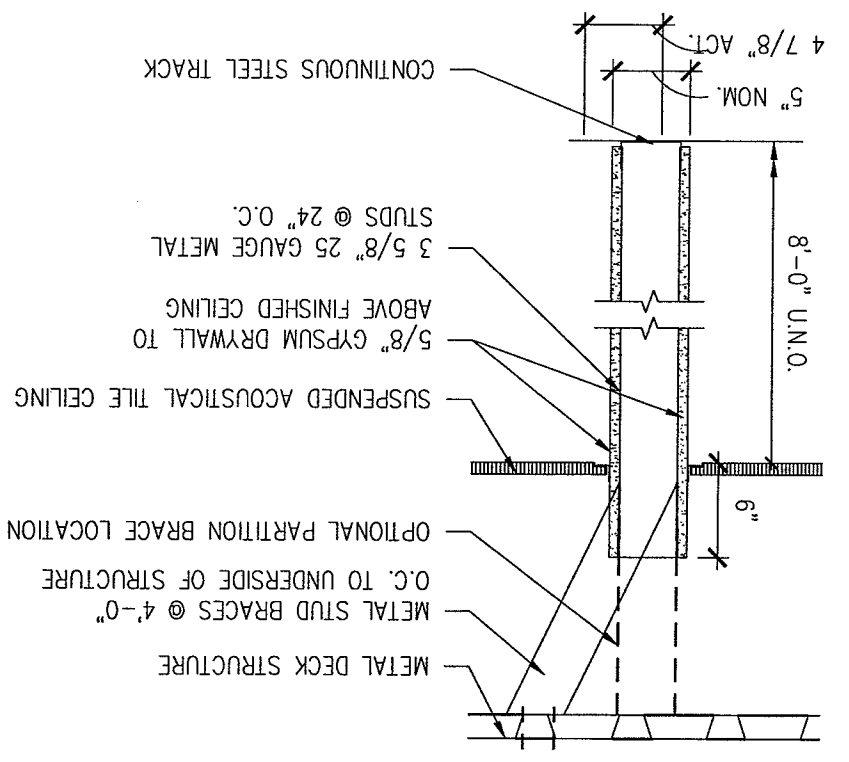


1 FLOOR PLAN
 SCALE: 1/8" = 1'-0"

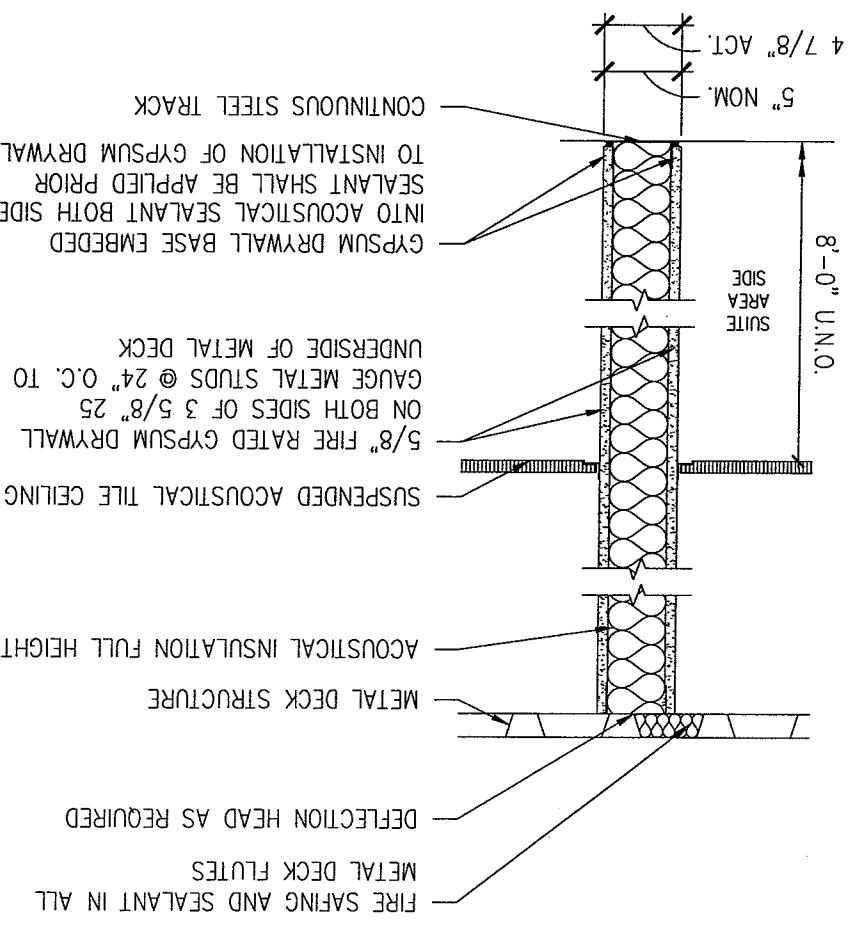
KEY NOTE LEGEND	
3.01	SHOWER CURTAIN AND LINER SHALL BE PROVIDED BY TENANT
3.02	7'-2" GYPSUM BOARD SOFFIT
3.03	7'-0" GYPSUM BOARD HEADER
3.04	7'-0" GYPSUM BOARD CASSED OPENING

LEGEND	
ROOM NAME / NUMBER	xxx
KEY NOTE SYMBOL - SEE KEY	1.00
NOTE LEGEND FOR DETAILS	(Symbol)
REVISION REFERENCE MARK	(Symbol)
SINGLE POLE SWITCH	(Symbol)
THREE WAY SINGLE POLE SWITCH	(Symbol)
CEILING HEIGHT AFF	8'-0"
ACOUSTICAL TILE CEILING	(Symbol)
SUSPENDED GYPSUM BOARD	(Symbol)
CEILING OR SOFFIT	(Symbol)
2' x 4' FLUORESCENT LIGHT WITH PRISMATIC ACRYLIC LENS	F2
2' x 2' FLUORESCENT LIGHT WITH PRISMATIC ACRYLIC LENS	F1
1' x 4' FLUORESCENT LIGHT WITH PRISMATIC ACRYLIC LENS	F3
INCANDESCENT CAN LIGHT	(Symbol)
EXIT LIGHTS - DIRECTIONAL	(Symbol)
ARROW ONLY WHERE INDICATED	(Symbol)
1' x 4' FLUORESCENT LIGHT PENDENT MOUNTED	(Symbol)
EXHAUST FAN	(Symbol)
EXIT SIGN	(Symbol)
-SEE ELEC. DWGS.	(Symbol)
VARIOUS HVAC DIFFUSERS	(Symbol)
-SEE MECH. DWGS.	(Symbol)
MINI BLINDS SECURED TO ALUMINUM WINDOW HEAD	(Symbol)

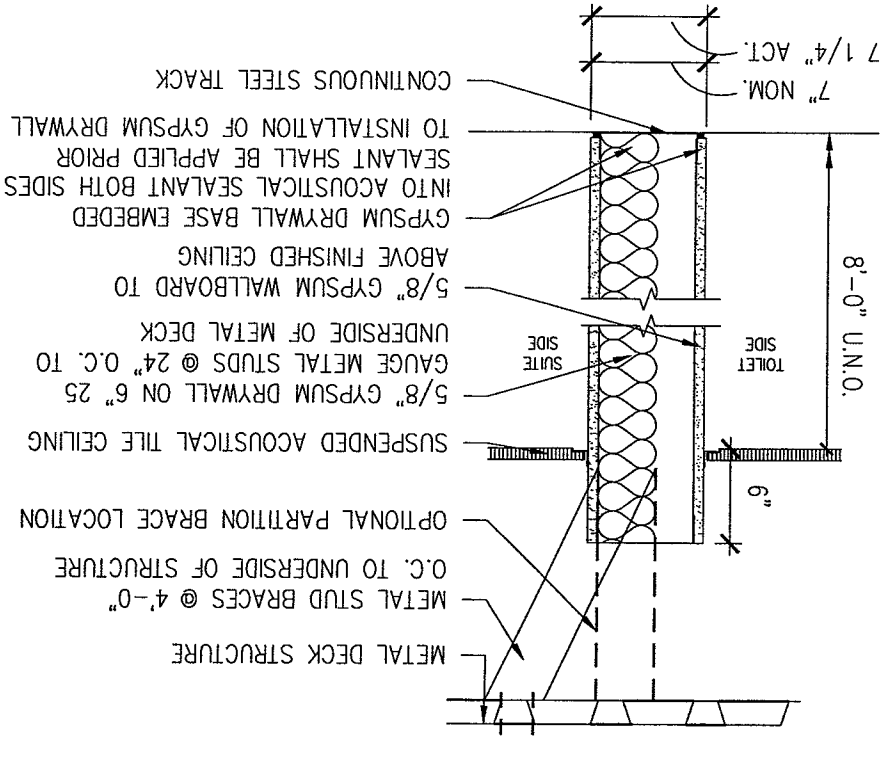
⑥ CEILING HEIGHT PARTITION
SCALE: 1" = 1'-0"



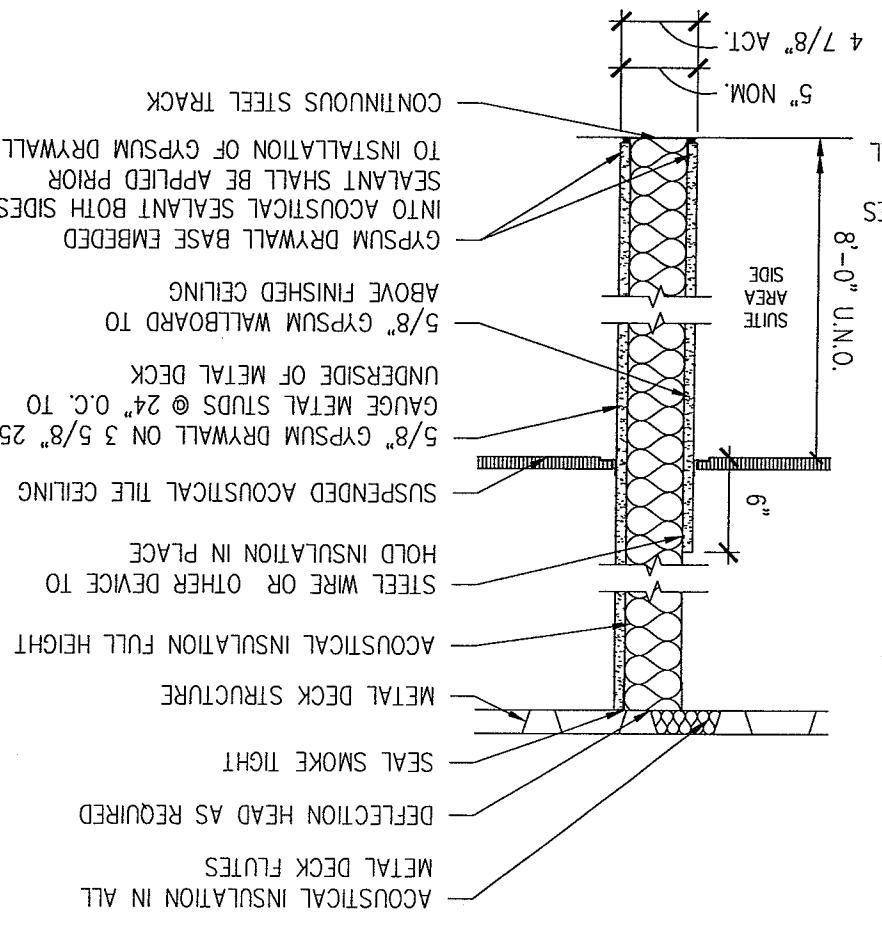
⑦ ONE HOUR RATED PARTITION
SCALE: 1" = 1'-0"
MUST MEET UL NO. U465 OR EQUAL



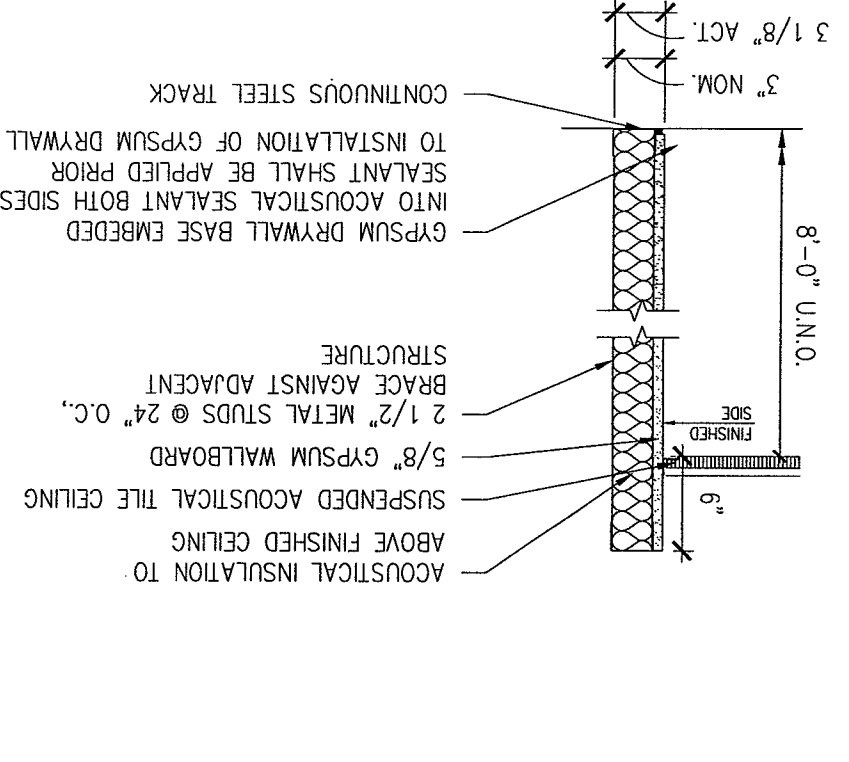
⑧ FULL HEIGHT CHASE PARTITION
SCALE: 1" = 1'-0"



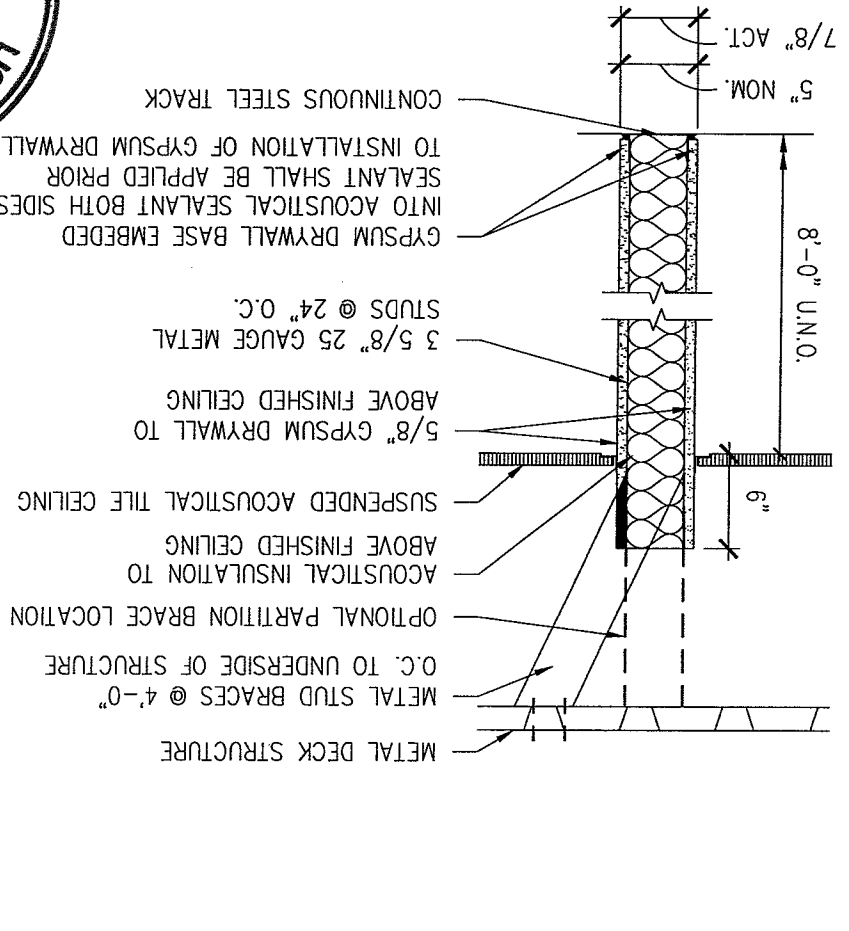
⑨ FULL HEIGHT PARTITION
SCALE: 1" = 1'-0"



⑩ INSULATED FURRING PARTITION
SCALE: 1" = 1'-0"



⑪ CEILING HEIGHT INSULATED PARTITION
SCALE: 1" = 1'-0"



Sheet
Partition Types and Details

Project
MERCY HOSPITAL
Medical Office Bldg.
Portland, Maine
Dr. McNally Suite
Suite 110
Date
December 14, 2007
Project No.
F07-5256.04
Sheet No.
A10.1

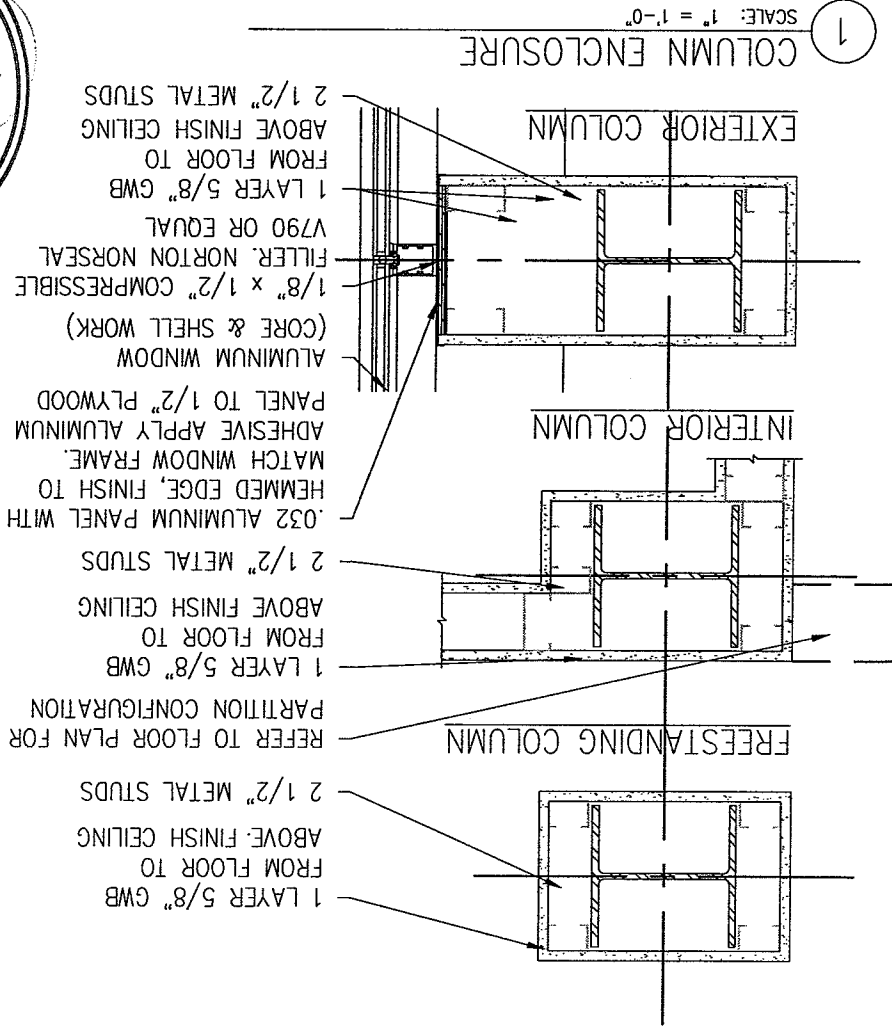
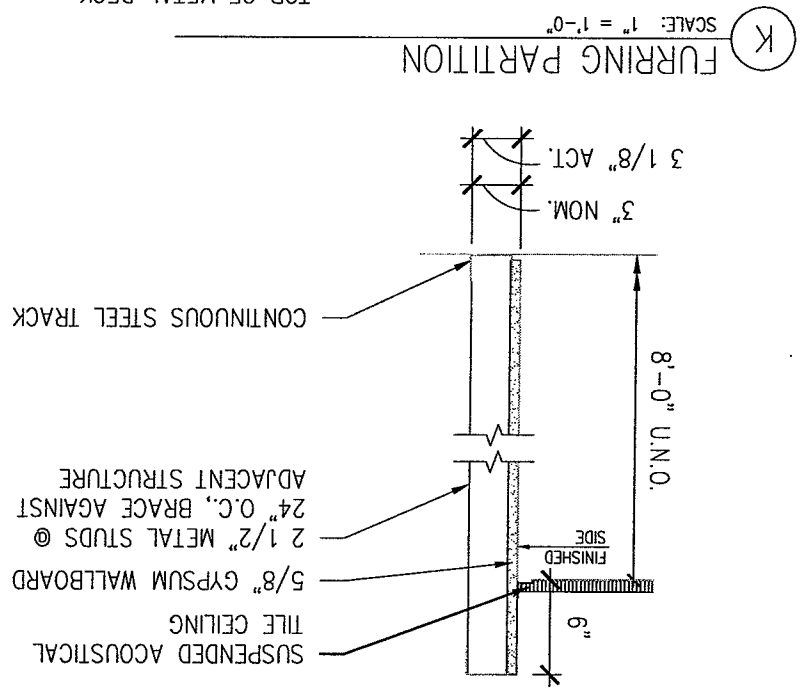
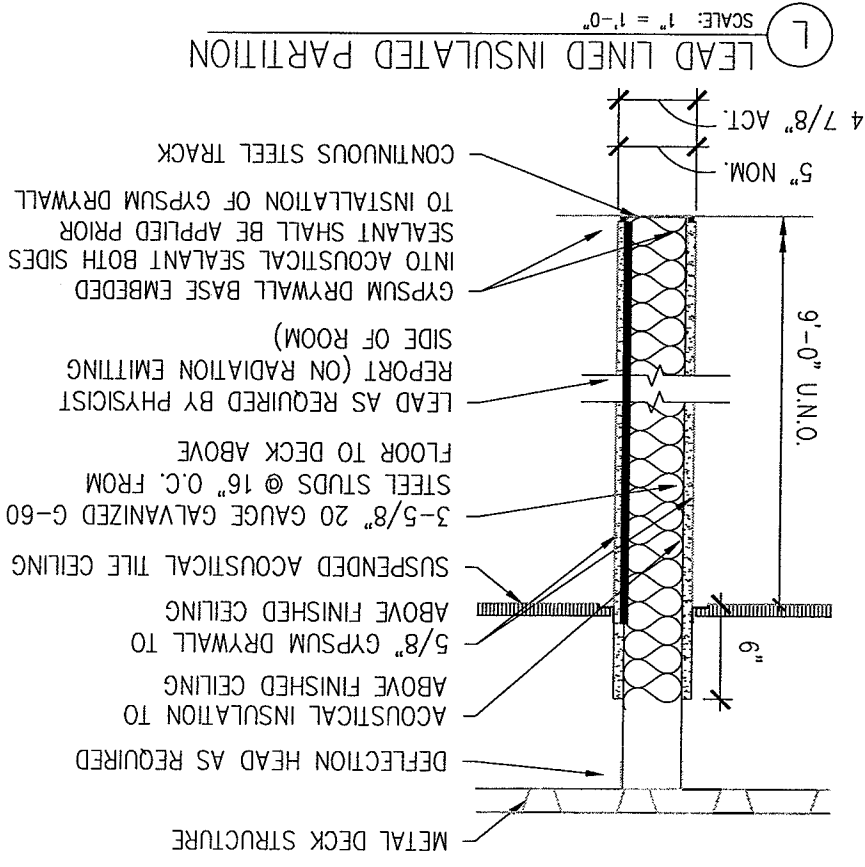
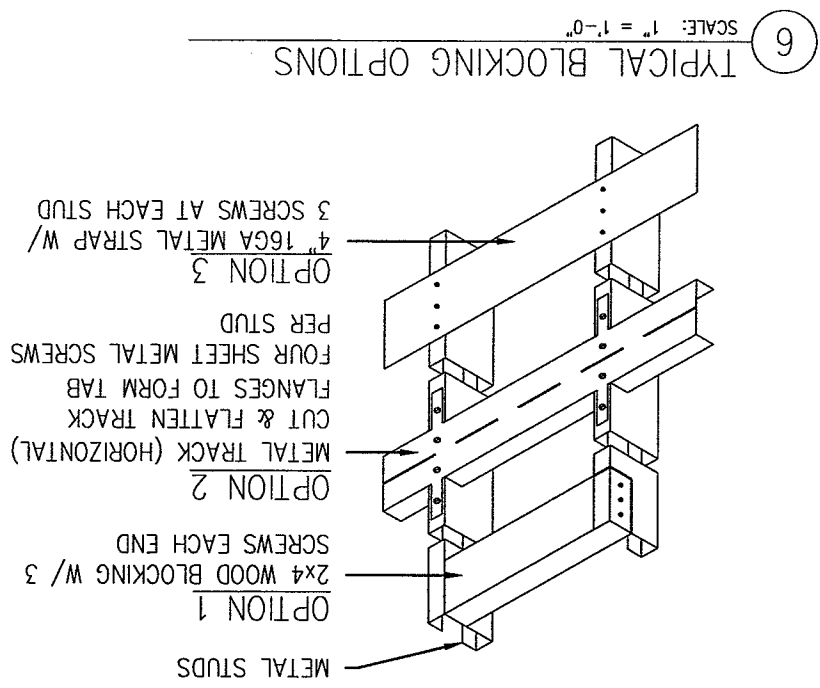
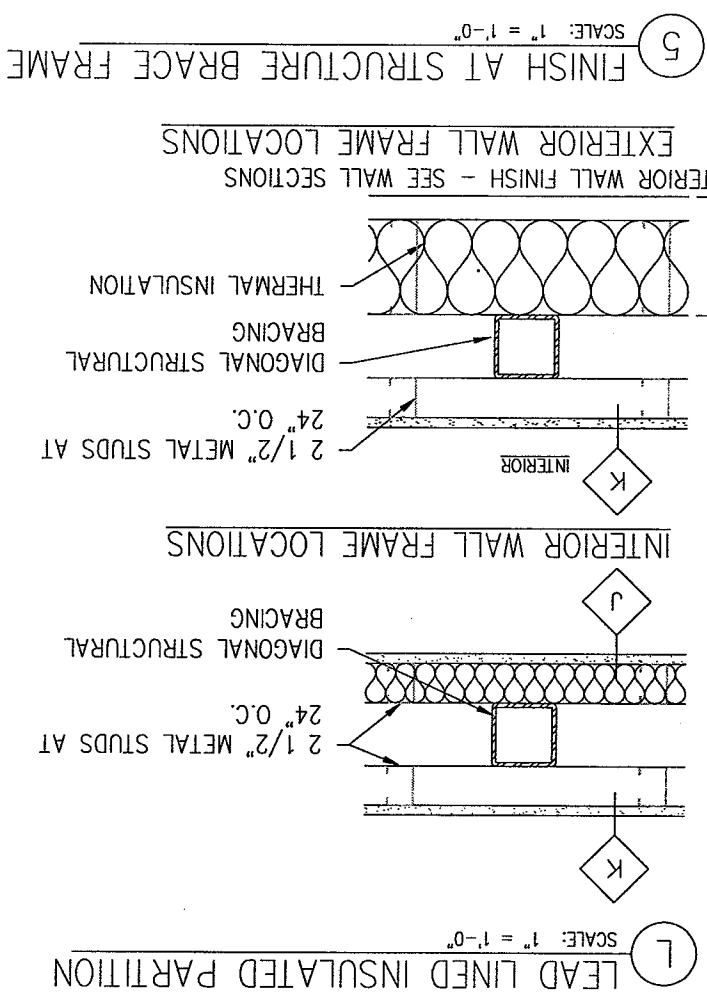
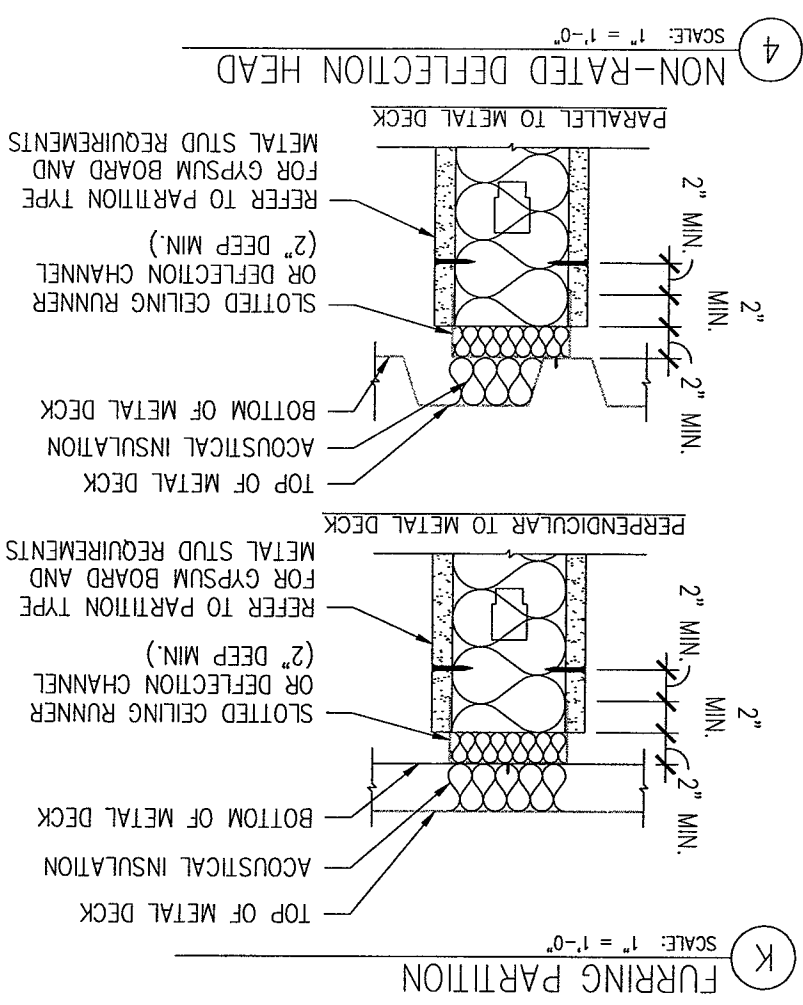
ISSUED FOR 100% SIGNED AND SEALED DOCUMENTATION



Revisions
12.14.2007

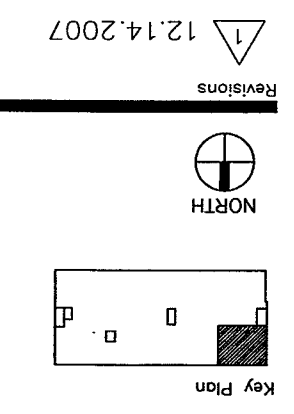
Key Plan

LANDMARK HEALTHCARE FACILITIES, LLC
839 North Jefferson Street
Milwaukee, Wisconsin 53202
Telephone: (414) 277-0500
Facsimile: (414) 277-1055



Project
MERCY HOSPITAL
Medical Office Bldg.
Portland, Maine
Dr. McNally Suite
Suite 110
Date
December 14, 2007
Project No.
F07-5256.04
Sheet No.
A10.2

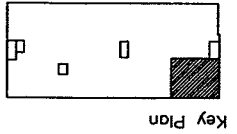
Sheet
Partition Types and Details



LANDMARK HEALTHCARE FACILITIES, LLC
839 North Jefferson Street
Milwaukee, Wisconsin 53202
Telephone: (414) 277-0500
Facsimile: (414) 277-1055



Revisions 1 12.14.2007

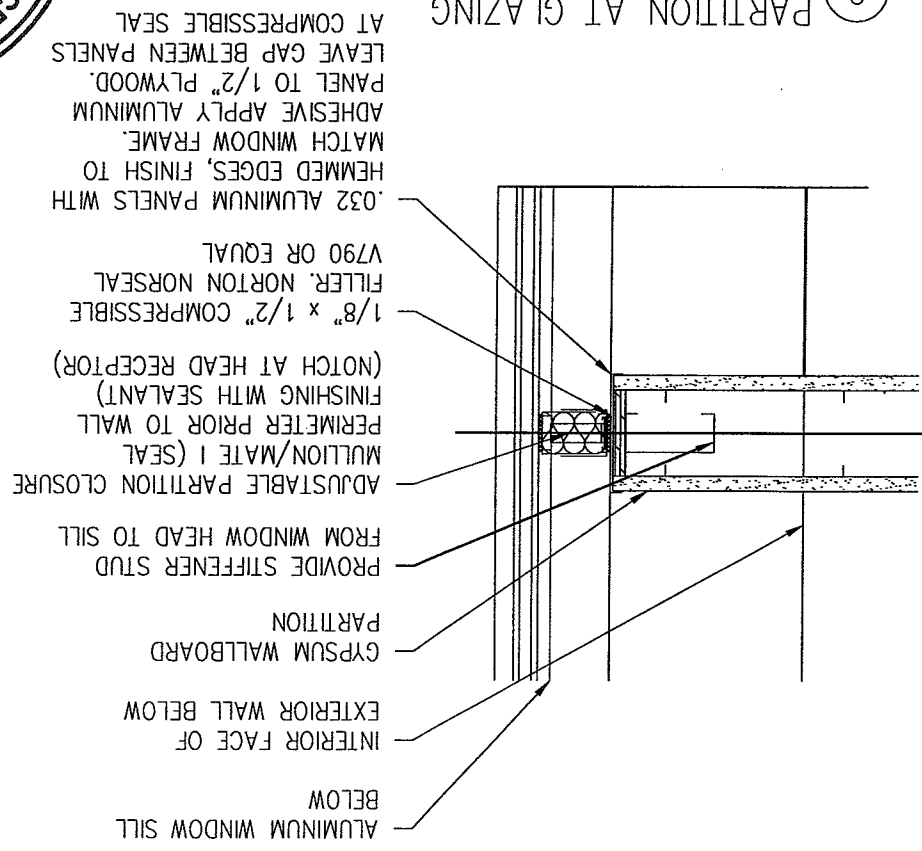


839 North Jefferson Street
Milwaukee, Wisconsin 53202
Telephone: (414) 277-0500
Facsimile: (414) 277-1055

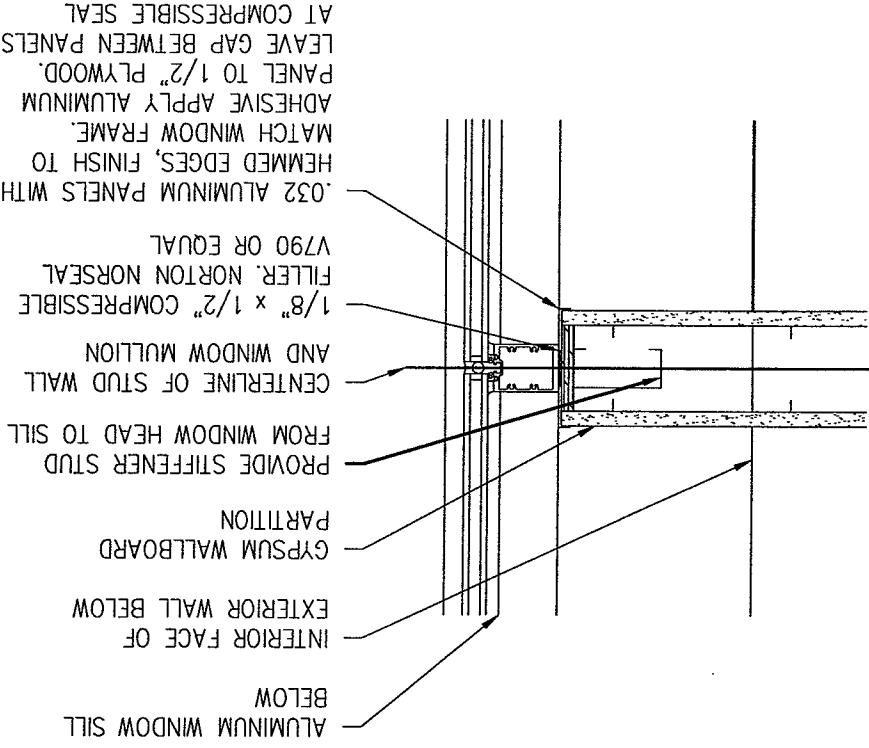
LANDMARK
HEALTHCARE
FACILITIES, LLC

DETAIL NOT USED

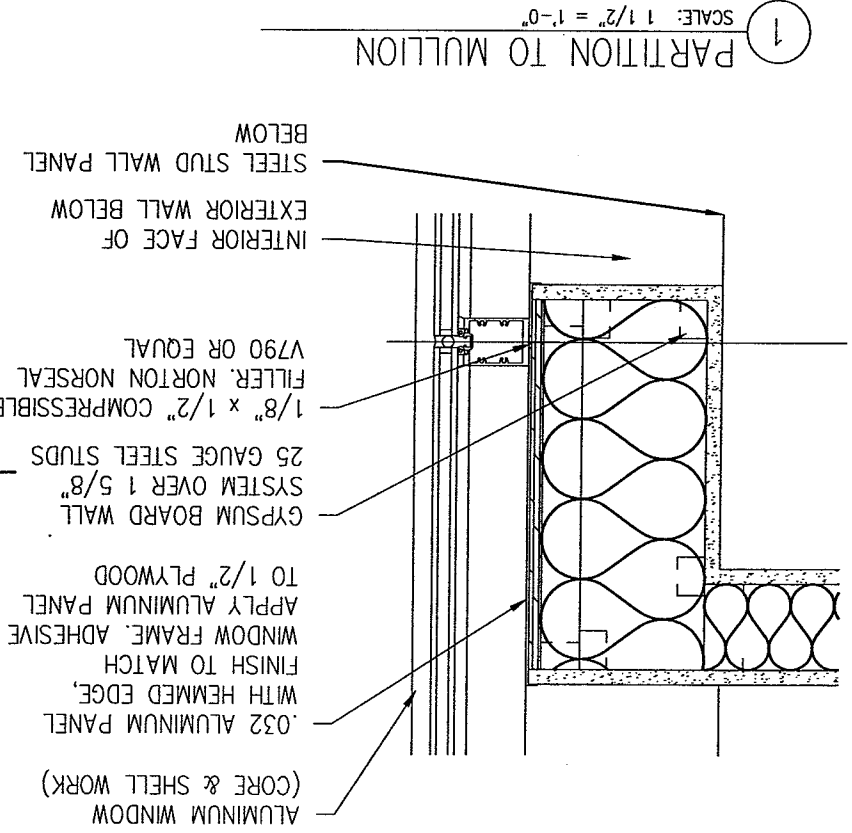
4 DROPPED HEADER
SCALE: 1 1/2" = 1'-0"



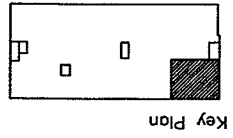
2 PARTITION AT GLAZING
SCALE: 1 1/2" = 1'-0"



3 PARTITION AT MULLION
SCALE: 1 1/2" = 1'-0"



1 PARTITION TO MULLION
SCALE: 1 1/2" = 1'-0"



Revisions

1 12.14.2007



Sheet
Interior Details

Project
MERCY HOSPITAL

Medical Office Bldg.
Portland, Maine

Dr. McNally Suite

Suite 110

Date

December 14, 2007

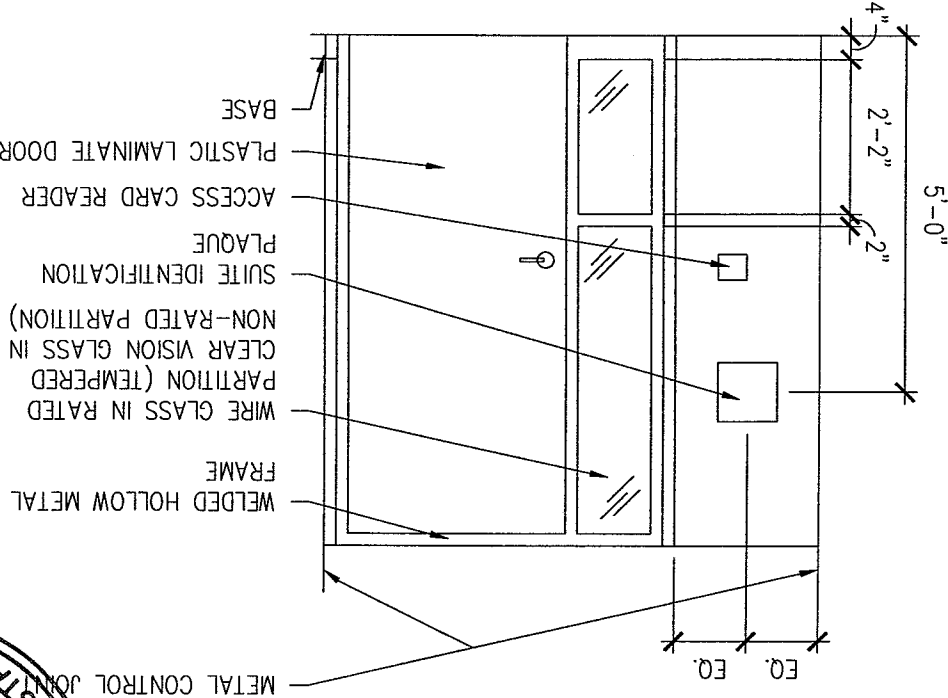
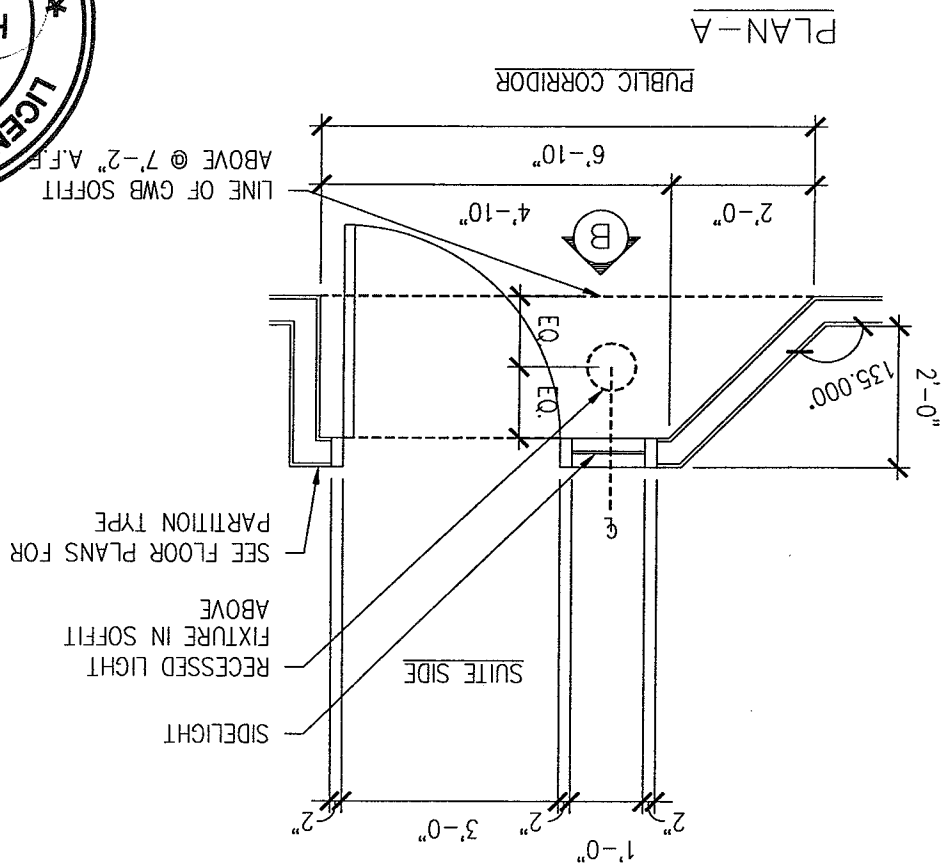
Project No.

F07-5256.04

Sheet No.

A10.4

ISSUED FOR 100% SIGNED AND SEALED DOCUMENTATION



DETAIL NOT USED

1 NURSE STATION COUNTER
SCALE: 3/4" = 1'-0"

DETAIL NOT USED

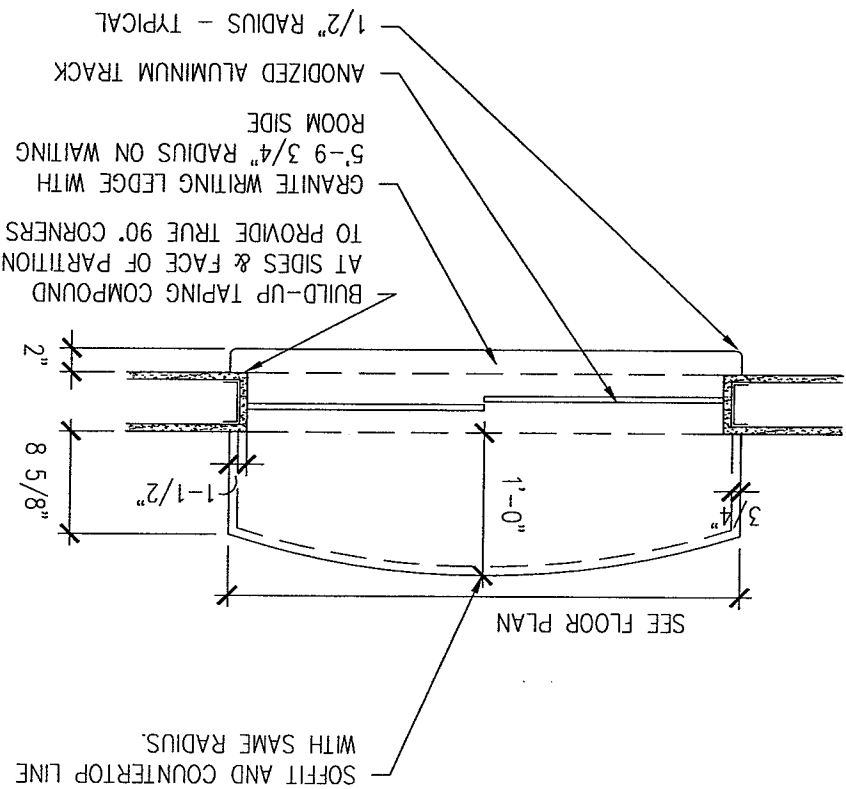
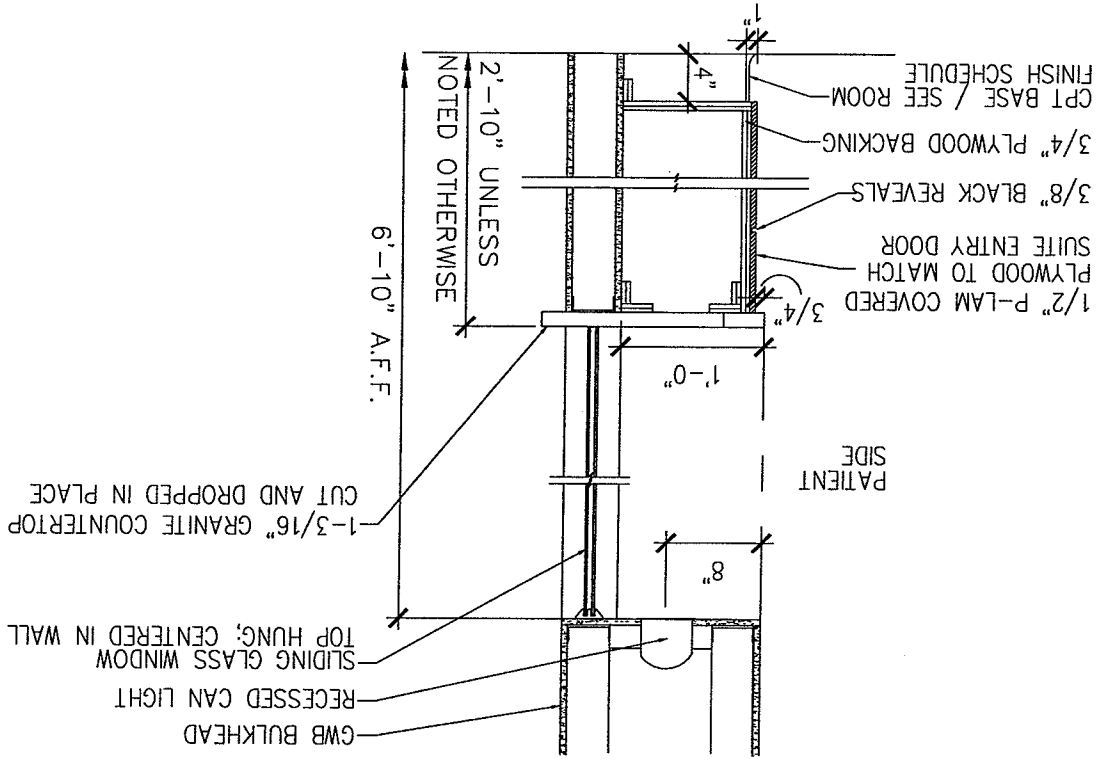
2 COAT RACK
SCALE: 3/4" = 1'-0"

DETAIL NOT USED

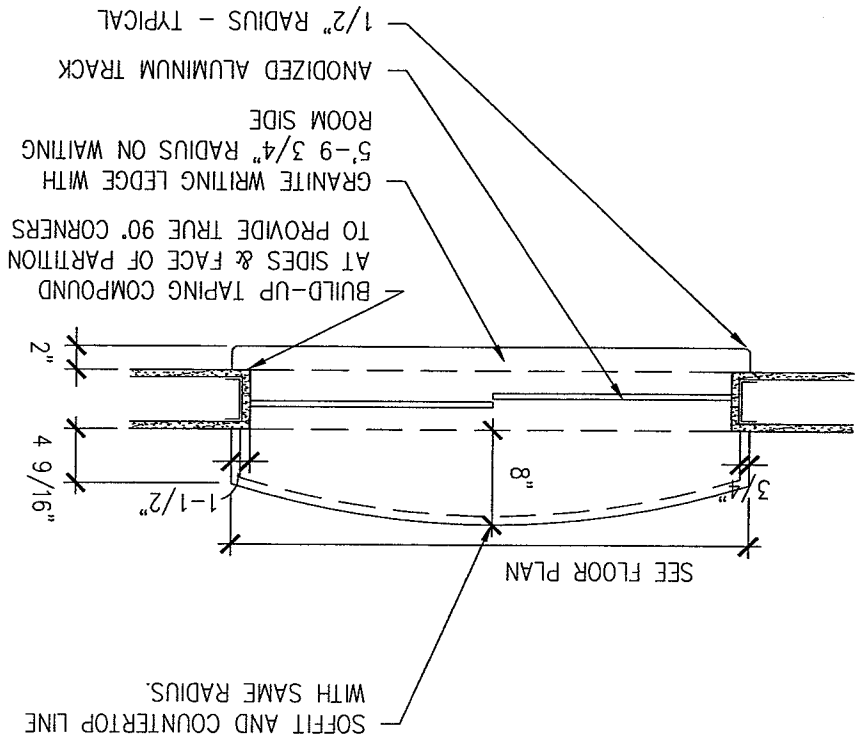
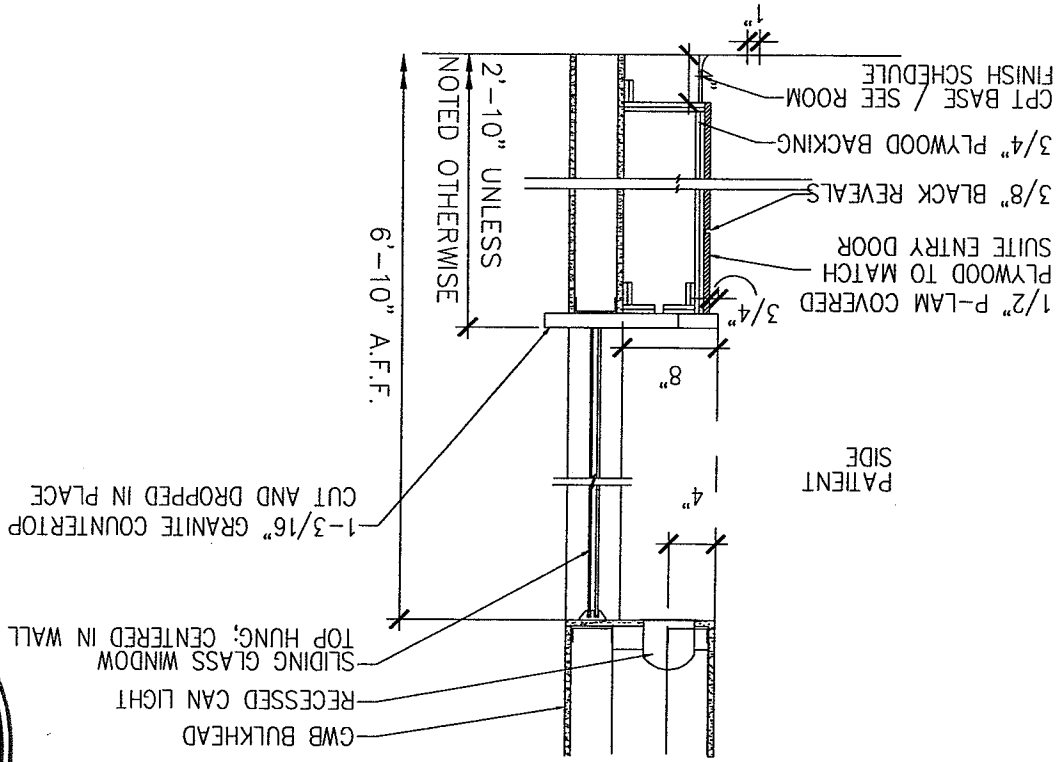
3 WALL BRACE
SCALE: 1 1/2" = 1'-0"

4 RECESSED SUITE ENTRY
SCALE: 3/8" = 1'-0"

1 CHECK-IN COUNTER
SCALE: 3/4" = 1'-0"

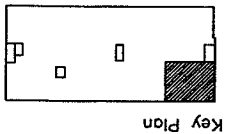


2 CHECK-OUT COUNTER
SCALE: 3/4" = 1'-0"



12.14.2007

Revisions



Key Plan

839 North Jefferson Street
Milwaukee, Wisconsin 53202
Telephone: (414) 277-0500
Facsimile: (414) 277-1055

LANDMARK
HEALTHCARE
FACILITIES, LLC

Project No. F07-5256.04
 Date December 14, 2007
 Dr. McNally Suite
 Suite 110
 Medical Office Bldg.
 Portland, Maine
 MERCY HOSPITAL
 Project

Sheet No. A11.1
 Project No. F07-5256.04
 Date December 14, 2007
 Dr. McNally Suite
 Suite 110
 Medical Office Bldg.
 Portland, Maine
 MERCY HOSPITAL
 Project



Revisions
 Key Plan
 839 North Jefferson Street
 Milwaukee, Wisconsin 53202
 Telephone: (414) 277-0500
 Facsimile: (414) 277-1055
 LANDMARK HEALTHCARE FACILITIES, LLC

DOOR NUMBER	ROOM NAME	TYPE	MAT'L	FINISH	SIZE (UNLESS NOTED)	DOOR		TYPE	MAT'L	FINISH	DETAIL	LIGHT	LOUVER	HDWR SET	NOTES
						FRAME	TYPE								
1101-1	WAITING AREA	A	WD	2											
1101-2	WAITING AREA	A	WD	1											
1102	RECEPTION	A	WD	1											
1103	BILLING OFFICE	A	WD	1											
1104	STAFF LOUNGE	A	WD	1											
1105	STORAGE	A	WD	1											
1106	EXAM	A	WD	1											
1107	EXAM	A	WD	1											
1108	PHYSICIAN OFFICE	A	WD	1											
1108A	PHYSICIAN TOILET	A	WD	1											
1109	PATIENT TOILET	A	WD	1											

ABBREVIATIONS LEGEND:

PL	PLASTIC LAMINATE
PT	PAINT
HM	HOLLOW METAL
AL	ALUMINUM
PREF	PREFINISHED
WD	WOOD
CH	DULL CHROME FINISH
HK	COAT HOOK

GENERAL NOTES

- HOLLOW METAL DOOR AND WINDOW FRAMES IN CORRIDOR WALLS SHALL BE PAINTED TO MATCH SHELL AND CORE HOLLOW METAL FRAMES.
- ALL OTHER HOLLOW METAL DOOR AND WINDOW FRAMES IN TENANT SUITE SHALL BE PAINTED TO MATCH RUBBER BASE COLOR.
- PROVIDE COAT HOOK MOUNTED AT 3'-4" ABOVE FINISHED FLOOR. MAX. HEIGHT IS 48"

DOOR HARDWARE SETS

HARDWARE SET A (SUITE ENTRY)
 (1) SUITE ENTRANCE LOCKSET
 (1 1/2) PR - BALL BEARING BUTT HINGES
 (1) FLOOR STOP
 (1) CLOSER

HARDWARE SET B (FILE, STOR., LAB., MED.)
 (1) STORAGE LOCK SET
 (1 1/2) PR - STANDARD BUTT HINGES
 (1) WALL OR FLOOR STOP

HARDWARE SET C (RECEPTION, PHYSICIAN OFFICE)
 (1) OFFICE LOCK SET
 (1 1/2) PR - STANDARD BUTT HINGES
 (1) WALL OR FLOOR STOP

HARDWARE SET D (OFFICE, TOILET, WAITING)
 (1) PRIVACY LOCK SET
 (1 1/2) PR - STANDARD BUTT HINGES
 (1) WALL OR FLOOR STOP

HARDWARE SET E (LOCKABLE PAIR OF DOORS)
 (2) TOP AND BOTTOM THROUGH BOLTS (INACTIVE LEAF)
 (1 1/2) PR - BI-FOLD DOOR HINGES
 (1) FINGER PULL

HARDWARE SET F (EXAM, SPECIAL PROCEDURE, CLOSET)
 (1) PASSAGE SET
 (1 1/2) PR - STANDARD BUTT HINGES
 (1) WALL OR FLOOR STOP

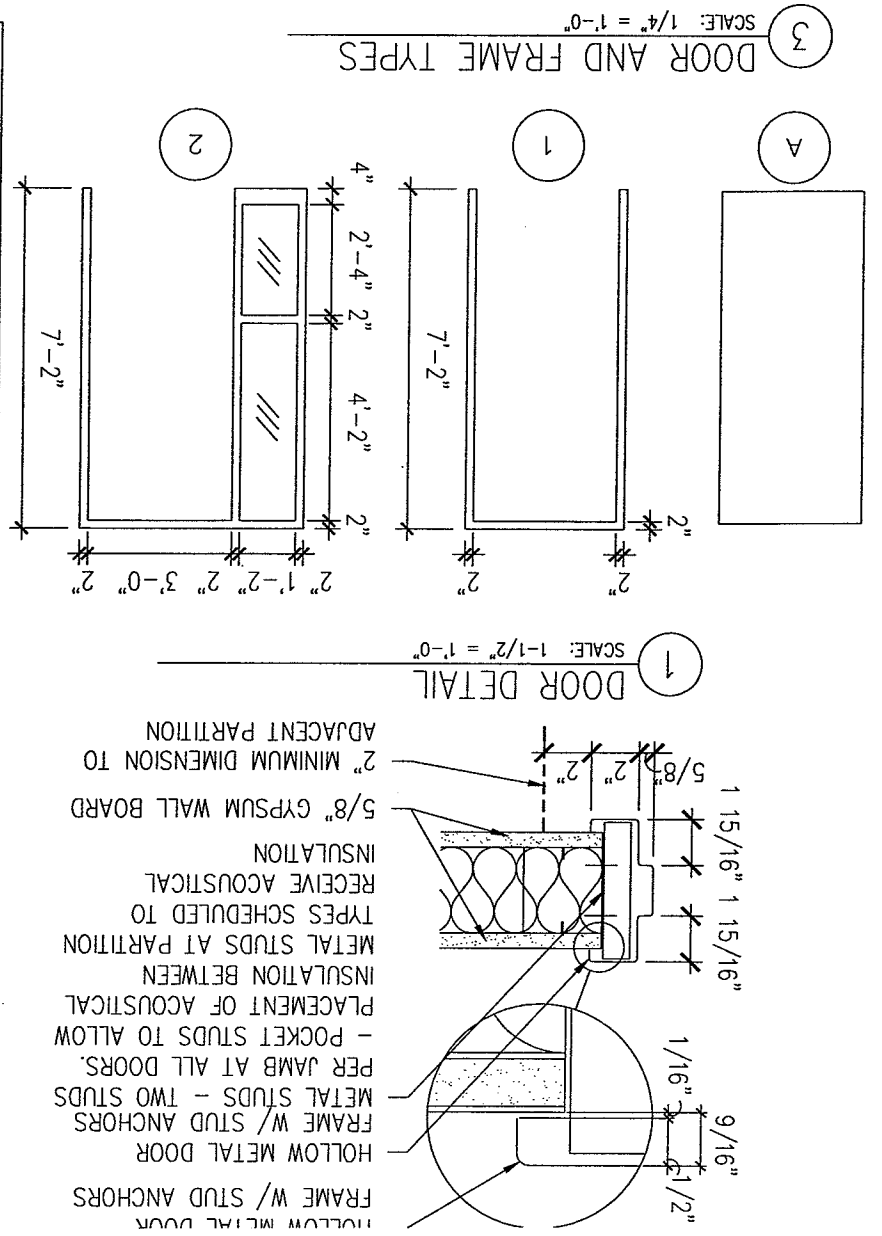
HARDWARE SET G (LEAD LINED DOORS)
 (1) PASSAGE SET
 (2) TOP AND BOTTOM PIVOTS
 (1) INTERMEDIATE PIVOT
 (1) WALL OR FLOOR STOP

HARDWARE SET H (LOCKABLE PAIR OF DOORS)
 (2) TOP AND BOTTOM THROUGH BOLTS (INACTIVE LEAF)
 (1 1/2) PR - BI-FOLD DOOR HINGES
 (1) FINGER PULL

HARDWARE SET I (PAIR OF CLOSET DOORS)
 (2) DUMMY TRIM, STRIKE AND PRESSURE LATCH
 (3) PR - STANDARD BUTT HINGES
 (2) WALL OR FLOOR STOP

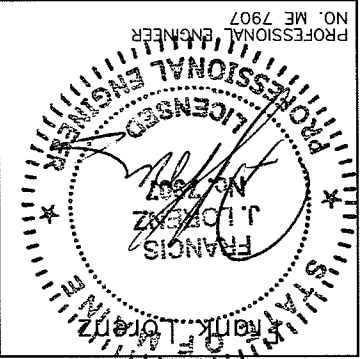
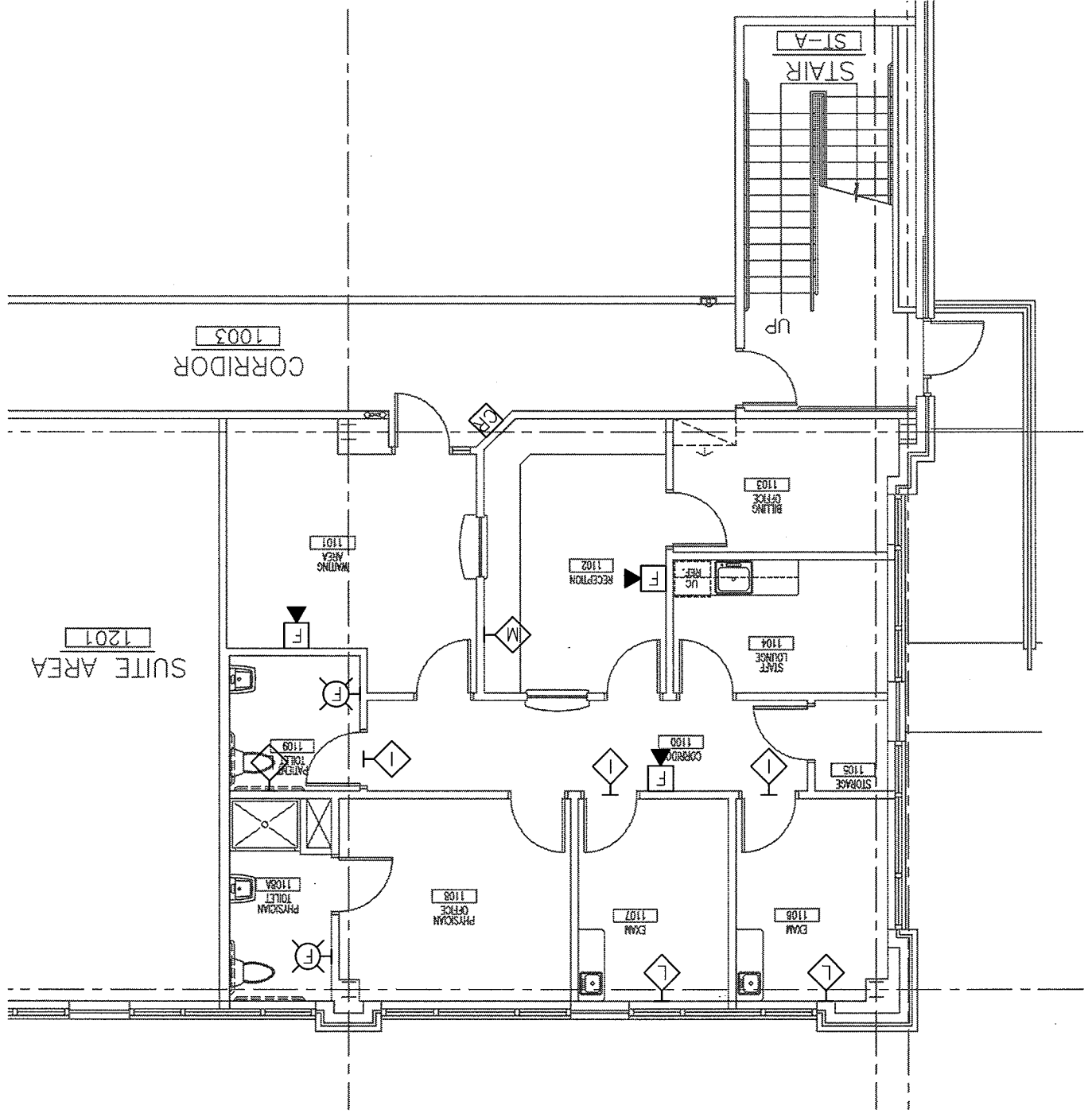
HARDWARE SET J (SLIDING BI-PASS CLOSET DOOR)
 (2) FINGER PULLS
 (1) TOP TRACK AND BOTTOM GUIDE
 (1) BUMPER STOP

HARDWARE SET K (BI-FOLD CLOSET DOOR)
 (1) FINGER PULL
 (1 1/2) PR - BI-FOLD DOOR HINGES
 (1) BI-FOLD DOOR HARDWARE



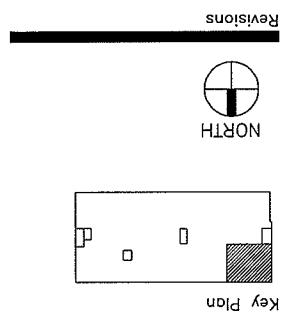
- DRAWING NOTES:**
1. REFER TO ARCHITECTURAL DRAWINGS FOR EXACT MOUNTING HEIGHTS OF OUTLETS.
 2. COORDINATE FINAL LOCATIONS OF ALL NURSE CALL STATIONS WITH OWNER PRIOR TO INSTALLATION.
 3. REFER TO E-6.0, DETAIL 1 FOR TYPICAL SINGLE DOOR CARD READER CONFIGURATION.

1
FLOOR PLAN
SCALE: 1/8"=1'-0"



Project
MERCY HOSPITAL
Medical Office Bldg.
Portland, Maine
Dr. McNally Suite
Suite 110
Date
December 14, 2007
Project No.
F07-5256.04
Sheet No.
E-4.0

Sheet
Electrical
Floor Plan
Misc. Systems
AKF
engineers
1300 WALNUT STREET, SUITE 1400
PHILADELPHIA, PA 19102
215.252.2290 TEL, 215.252.6706 FAX
AKF PROJ. NO. P060106-D
ARLINGTON - RESTON - NEW YORK - PHILADELPHIA
BOSTON - STAMFORD - MEXICO CITY



LANDMARK
HEALTHCARE
FACILITIES, LLC
839 North Jefferson Street
Milwaukee, Wisconsin 53202
Telephone: (414) 277-0500
Facsimile: (414) 277-1055

PANEL: (B)P1 SECTION 2
 480 / 277 VOLTS, 3 PHASE
 MAIN BUS: 4 WIRE 225 AMPS NEUTRAL: 100%
 MOUNTING: SURFACE FLUSH ALUMINUM
 BUS: COPPER
 ISOL. GND. BUS:

CKT #	TRIP / POLE #	DESCRIPTION OF LOAD	COND SIZE (VA)			LOAD			WIRE & COND SIZE		
			A	B	C	(VA)	(VA)	(VA)	COND SIZE	WIRE & COND SIZE	
1	30/3	VAV-1-2	3133	6066	2933	2933	2933	2B	2933	2933	2933
3			3133	6066	2933	2933	2933				
4			3133	6066	2933	2933	2933				
5			3133	6066	2933	2933	2933				
6			3133	6066	2933	2933	2933				
7	20/3	FFB-1-2	2666	2666	2666	2666	2666	2B	2666	2666	2666
9			2666	2666	2666	2666	2666				
10			2666	2666	2666	2666	2666				
11			2666	2666	2666	2666	2666				
12			2666	2666	2666	2666	2666				
13			2666	2666	2666	2666	2666				
14			2666	2666	2666	2666	2666				
15			2666	2666	2666	2666	2666				
16			2666	2666	2666	2666	2666				
17			2666	2666	2666	2666	2666				
18			2666	2666	2666	2666	2666				
19			2666	2666	2666	2666	2666				
20			2666	2666	2666	2666	2666				
21			2666	2666	2666	2666	2666				
22			2666	2666	2666	2666	2666				
23			2666	2666	2666	2666	2666				
24			2666	2666	2666	2666	2666				
25			2666	2666	2666	2666	2666				
26			2666	2666	2666	2666	2666				
27			2666	2666	2666	2666	2666				
28			2666	2666	2666	2666	2666				
29			2666	2666	2666	2666	2666				
30			2666	2666	2666	2666	2666				
31			2666	2666	2666	2666	2666				
32			2666	2666	2666	2666	2666				
33			2666	2666	2666	2666	2666				
34			2666	2666	2666	2666	2666				
35			2666	2666	2666	2666	2666				
36			2666	2666	2666	2666	2666				
37			2666	2666	2666	2666	2666				
38			2666	2666	2666	2666	2666				
39			2666	2666	2666	2666	2666				
40			2666	2666	2666	2666	2666				
41			2666	2666	2666	2666	2666				
42			2666	2666	2666	2666	2666				

TOTAL BY PHASE: 8732 8732 8732
 TOTAL DEMAND LOAD = 26196 VA
 TOTAL CONNECTED AMPS = 32 AMPS
 SPARE = 0%

PANEL: (B)P1 SECTION 1
 208 / 120 VOLTS, 3 PHASE
 MAIN BUS: 4 WIRE 225 AMPS NEUTRAL: 100%
 MOUNTING: SURFACE FLUSH ALUMINUM
 BUS: COPPER
 ISOL. GND. BUS:

CKT #	TRIP / POLE #	DESCRIPTION OF LOAD	COND SIZE (VA)			LOAD			WIRE & COND SIZE		
			A	B	C	(VA)	(VA)	(VA)	COND SIZE	WIRE & COND SIZE	
1	20/1	(B)BANK REC - CORR RM 1003	1800	1800	1800	1800	1800	2A	1800	1800	1800
2	20/1	(B)TELECOM REC - RM 1010	720	720	720	720	720	2A	720	720	720
3	20/1	(B)CORRIDOR LIGHTING	1080	1080	1080	1080	1080	2A	1080	1080	1080
4	20/1	(B)TELECOM REC - RM 1009	360	360	360	360	360	2A	360	360	360
5	20/1	(B)ACOR - ELEC RM 1010	240	240	240	240	240	2A	240	240	240
6	20/1	(B)SECURITY PANEL - TELE RM 1009	500	500	500	500	500	2A	500	500	500
7	20/1	(B)SECURITY PANEL - TELE RM 1009	500	500	500	500	500	2A	500	500	500
8	20/1	(B)RECEPTION CLOS RM 1114	720	720	720	720	720	2A	720	720	720
9	20/1	(B)RECEPTION CLOS RM 1114	720	720	720	720	720	2A	720	720	720
10	20/1	(B)RECEPTION CLOS RM 1114	720	720	720	720	720	2A	720	720	720
11	20/1	(B)GENERAL RECEPTION RM 1110, 1111, 1112	540	540	540	540	540	2A	540	540	540
12	20/1	(B)GENERAL RECEPTION RM 1110, 1111, 1112	540	540	540	540	540	2A	540	540	540
13	20/1	(B)GENERAL RECEPTION RM 1110, 1111, 1112	540	540	540	540	540	2A	540	540	540
14	20/1	(B)GENERAL RECEPTION RM 1110, 1111, 1112	540	540	540	540	540	2A	540	540	540
15	20/1	(B)GENERAL RECEPTION RM 1110, 1111, 1112	540	540	540	540	540	2A	540	540	540
16	20/1	(B)GENERAL RECEPTION RM 1110, 1111, 1112	540	540	540	540	540	2A	540	540	540
17	20/1	(B)GENERAL RECEPTION RM 1110, 1111, 1112	540	540	540	540	540	2A	540	540	540
18	20/1	(B)GENERAL RECEPTION RM 1110, 1111, 1112	540	540	540	540	540	2A	540	540	540
19	20/1	(B)GENERAL RECEPTION RM 1110, 1111, 1112	540	540	540	540	540	2A	540	540	540
20	20/1	(B)GENERAL RECEPTION RM 1110, 1111, 1112	540	540	540	540	540	2A	540	540	540
21	20/1	(B)GENERAL RECEPTION RM 1110, 1111, 1112	540	540	540	540	540	2A	540	540	540
22	20/1	(B)GENERAL RECEPTION RM 1110, 1111, 1112	540	540	540	540	540	2A	540	540	540
23	20/1	(B)GENERAL RECEPTION RM 1110, 1111, 1112	540	540	540	540	540	2A	540	540	540
24	20/1	(B)GENERAL RECEPTION RM 1110, 1111, 1112	540	540	540	540	540	2A	540	540	540
25	20/1	(B)GENERAL RECEPTION RM 1110, 1111, 1112	540	540	540	540	540	2A	540	540	540
26	20/1	(B)GENERAL RECEPTION RM 1110, 1111, 1112	540	540	540	540	540	2A	540	540	540
27	20/1	(B)GENERAL RECEPTION RM 1110, 1111, 1112	540	540	540	540	540	2A	540	540	540
28	20/1	(B)GENERAL RECEPTION RM 1110, 1111, 1112	540	540	540	540	540	2A	540	540	540
29	20/1	(B)GENERAL RECEPTION RM 1110, 1111, 1112	540	540	540	540	540	2A	540	540	540
30	20/1	(B)GENERAL RECEPTION RM 1110, 1111, 1112	540	540	540	540	540	2A	540	540	540
31	20/1	(B)GENERAL RECEPTION RM 1110, 1111, 1112	540	540	540	540	540	2A	540	540	540
32	20/1	(B)GENERAL RECEPTION RM 1110, 1111, 1112	540	540	540	540	540	2A	540	540	540
33	20/1	(B)GENERAL RECEPTION RM 1110, 1111, 1112	540	540	540	540	540	2A	540	540	540
34	20/1	(B)GENERAL RECEPTION RM 1110, 1111, 1112	540	540	540	540	540	2A	540	540	540
35	20/1	(B)GENERAL RECEPTION RM 1110, 1111, 1112	540	540	540	540	540	2A	540	540	540
36	20/1	(B)GENERAL RECEPTION RM 1110, 1111, 1112	540	540	540	540	540	2A	540	540	540
37	20/1	(B)GENERAL RECEPTION RM 1110, 1111, 1112	540	540	540	540	540	2A	540	540	540
38	20/1	(B)GENERAL RECEPTION RM 1110, 1111, 1112	540	540	540	540	540	2A	540	540	540
39	20/1	(B)GENERAL RECEPTION RM 1110, 1111, 1112	540	540	540	540	540	2A	540	540	540
40	20/1	(B)GENERAL RECEPTION RM 1110, 1111, 1112	540	540	540	540	540	2A	540	540	540
41	20/1	(B)GENERAL RECEPTION RM 1110, 1111, 1112	540	540	540	540	540	2A	540	540	540
42	20/1	(B)GENERAL RECEPTION RM 1110, 1111, 1112	540	540	540	540	540	2A	540	540	540

TOTAL BY PHASE: 10700 8640 5200
 TOTAL DEMAND LOAD = 17650 VA
 TOTAL CONNECTED AMPS = 68 AMPS
 SPARE = 0%

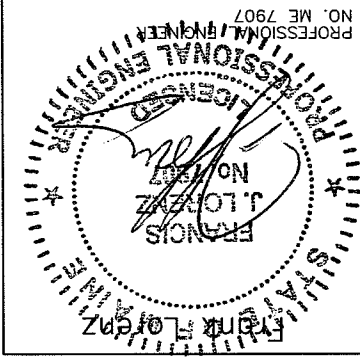
PANEL: (E)P1
 480 / 277 VOLTS, 3 PHASE
 MAIN BUS: 4 WIRE 225 AMPS NEUTRAL: 100%
 MOUNTING: SURFACE FLUSH ALUMINUM
 BUS: COPPER
 ISOL. GND. BUS:

CKT #	TRIP / POLE #	DESCRIPTION OF LOAD	COND SIZE (VA)			LOAD			WIRE & COND SIZE		
			A	B	C	(VA)	(VA)	(VA)	COND SIZE	WIRE & COND SIZE	
1	20/1	(E)CORRIDOR LIGHTING	484	484	484	484	484	2A	484	484	484
2	20/1	(E)CORRIDOR LIGHTING	1025	1025	1025	1025	1025	2A	1025	1025	1025
3	20/1	(E)CORRIDOR LIGHTING	660	660	660	660	660	2A	660	660	660
4	20/1	(E)CORRIDOR LIGHTING	320	320	320	320	320	2A	320	320	320
5	20/1	(E)CORRIDOR LIGHTING	1589	1589	1589	1589	1589	2A	1589	1589	1589
6	20/1	(E)CORRIDOR LIGHTING	640	640	640	640	640	2A	640	640	640
7	20/1	(E)CORRIDOR LIGHTING	2309	2309	2309	2309	2309	2A	2309	2309	2309
8	20/1	(E)CORRIDOR LIGHTING	2309	2309	2309	2309	2309	2A	2309	2309	2309
9	20/1	(E)CORRIDOR LIGHTING	2204	2204	2204	2204	2204	2A	2204	2204	2204
10	20/1	(E)CORRIDOR LIGHTING	4138	4138	4138	4138	4138	2A	4138	4138	4138
11	20/1	(E)CORRIDOR LIGHTING	2204	2204	2204	2204	2204	2A	2204	2204	2204
12	20/1	(E)CORRIDOR LIGHTING	2204	2204	2204	2204	2204	2A	2204	2204	2204
13	20/1	(E)CORRIDOR LIGHTING	2204	2204	2204	2204	2204	2A	2204	2204	2204
14	20/1	(E)CORRIDOR LIGHTING	2204	2204	2204	2204	2204	2A	2204	2204	2204
15	20/1	(E)CORRIDOR LIGHTING	2204	2204	2204	2204	2204	2A	2204	2	

LIGHTING FIXTURE SCHEDULE

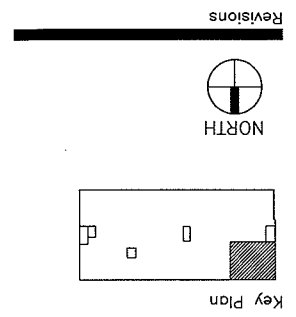
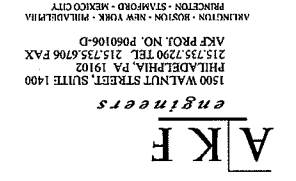
TYPE	DESCRIPTION	MANUFACTURER	CATALOG NUMBER	NO.	LAMPS		TYPE	VOLTS	MOUNTING
					WATTS	FIXTURE			
A	2' X 4' FLUORESCENT LIGHT WITH PRISMATIC ACRYLIC LENS	METALUX	HRD2GCAV432A-EB81	4	32W	T8	RECESSED	277	RECESSED
A-1	FLUORESCENT LIGHT FIXTURE SHALL BE SIMILAR TO FIXTURE A, WITH BATTERY POWER EMERGENCY BACK-UP BALLAST	METALUX	HRD2GCAV432A-EB81 2SPG4D32RWA12-1/4GEBAPB	4	32W	T8	RECESSED	277	RECESSED
B	2' X 2' FLUORESCENT LIGHT FIXTURE WITH PRISMATIC ACRYLIC LENS	METALUX	HRD2GCAVFA2U6T8A-EB81 2SPG2DU31RWA12-GEBA PB	2	32W	T8	RECESSED	277	RECESSED
B-1	FLUORESCENT LIGHT FIXTURE SHALL BE SIMILAR TO FIXTURE B, WITH BATTERY POWER EMERGENCY BACK-UP BALLAST	METALUX	HRD2GCAVFA2U6T8A-EB81EL4 2SPG2DU31RWA12-GEBA PBEL	2	32W	T8	RECESSED	277	RECESSED
E-3	EXIT LIGHT, SHALL BE CEILING AND WALL MOUNTED, SINGLE OR DOUBLE FACE WITH BATTERY POWER EMERGENCY BACK UP, DIRECTIONAL ARROWS AND LETTER COLOR AS REQUIRED	LITHONIA SURE-LITES MCPHILBEN	PRECISE LRP SERIES ELX SERIES 45V SERIES	-		LED	CEILING/WALL	277	
J	COMPACT FLUORESCENT RECESSED DOWNLIGHT FIXTURE, SHALL BE 7- $\frac{1}{2}$ " DIAMETER OPEN APERTURE WITH CLEAR ALZAK REFLECTOR	PORTFOLIO LITHONIA	C72181H7280LI AF218TRT6AR	2	18W	DTT	RECESSED	277	RECESSED

- NOTES:
1. FIXTURES MUST UTILIZE MULTILAMP BALLAST. FIXTURES INSTALLED MUST NOT EXCEED FIXTURE WATTAGE LISTED ON SCHEDULE.
 2. ALL FIXTURES LISTED FIRST ON SCHEDULE TO BE TAKEN AS BASIS OF DESIGN.
 3. ALL NEW FIXTURES SHALL MATCH EXISTING IN BUILDING.



Project
MERCY HOSPITAL
 Medical Office Bldg.
 Portland, Maine
 Dr. McNally Suite
 Suite 110
 Date
 December 14, 2007
 Project No.
 F07-5256.04
 Sheet No.
E-5.1

Sheet
Electrical
 Schedules



LANDMARK
 HEALTHCARE
 FACILITIES, LLC
 839 North Jefferson Street
 Milwaukee, Wisconsin 53202
 Telephone: (414) 277-0500
 Facsimile: (414) 277-1055

PLUMBING BASIC SYMBOLS

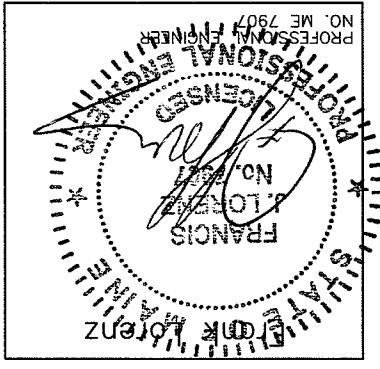
(NOT ALL SYMBOLS ARE NECESSARILY USED ON THIS PROJECT)

EXISTING PIPING	
NEW SOIL, WASTE OR SANITARY PIPING	
VENT PIPING (SANITARY)	
PIPING BELOW SLAB	
DOMESTIC COLD WATER PIPING	
DOMESTIC HOT WATER PIPING (120°)	
DOMESTIC HOT WATER CIRCULATION PIPING	
DISCONNECT FROM EXISTING	
CONNECT TO EXISTING	
CLEAN OUT/PLUGGED OUTLET	
CAPPED OUTLET	
CLEAN-OUT DECK PLATE	
P-TRAP	
VACUUM BREAKER	
BOTTOM PIPE CONNECTION	
TOP PIPE CONNECTION	
PIPE DOWN/DROP	
PIPE RISE/UP	
TRAP	
	EXIST. NEW
MIXING VALVE	
BALL VALVE	
REDUCED PRESSURE ZONE BACKFLOW PREVENTER ASSEMBLY	
BALANCING VALVE ASSEMBLY	
RISER DESIGNATION	
RISER SERVICE	

PLUMBING ABBREVIATIONS

(NOT ALL ABBREV. ARE NECESSARILY USED ON THIS PROJECT)

CLEANOUT	CO
CLEANOUT DECK PLATE	CODP
COFFEE MAKER	CM
CAPPED AND VALVED OUTLET	CVO
COLD WATER	CW
CEILING	CLG
CONNECT	CONN
DOWN (PENETRATES FLOOR SLAB)	DN
DRAIN	DR
DRAWING	DWG
EXISTING	(E)
FLOOR	FL
FEET	FT
HOT WATER	HW
HOT WATER RETURN	HWR
LAVATORY	LAV
MAXIMUM	MAX
MINIMUM	MIN
NEW	(N)
PLUGGED OUTLET	PO
SANITARY	SAN
SINK	SK
TYPICAL	TYP
UP (PENETRATES FLOOR SLAB)	UP
VENT	V
WASTE	W
WATER CLOSET	WC

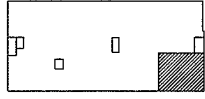


Project
MERCY HOSPITAL
 Medical Office Bldg.
 Portland, Maine
 Dr. McNally Suite
 Suite 110
 Date
 December 14, 2007
 Project No.
 F07-5256.04
 Sheet No.
P-1.0

Sheet
Plumbing
 Cover Sheet

A|K|F
engineers
 1500 WALNUT STREET, SUITE 1400
 PHILADELPHIA, PA 19102
 215.755.7290 TEL. 215.755.6706 FAX

Revisions



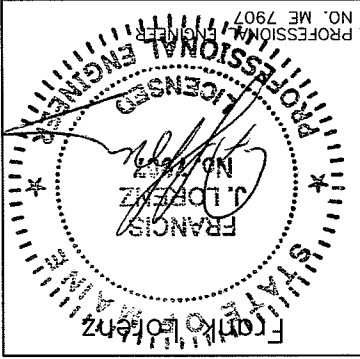
Key Plan

LANDMARK
HEALTHCARE
FACILITIES, LLC
 839 North Jefferson Street
 Milwaukee, Wisconsin 53202
 Telephone: (414) 277-0500
 Facsimile: (414) 277-1055

PLUMBING GENERAL NOTES

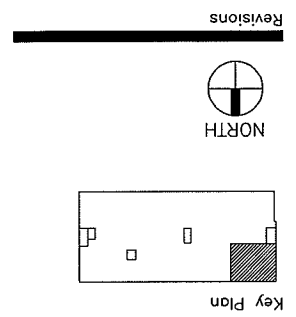
1. GENERAL NOTES, SYMBOLS LIST AND DETAILS ARE APPLICABLE TO ALL DRAWINGS MARKED P.
2. DRAWINGS ARE DIAGRAMMATIC; DETERMINE LOCATIONS OF SYSTEMS AND COMPONENTS IN FIELD.
3. NEITHER ACCURACY NOR COMPLETION OF UTILITY LOCATIONS SHOWN ON DRAWINGS IS GUARANTEED. DETERMINE EXACT LOCATIONS OF EXISTING UTILITY IN FIELD, WHETHER OR NOT SHOWN ON DRAWINGS. EXERCISE CAUTION AND IDENTIFY LOCATIONS OF UNMARKED UTILITY LINES AS NECESSARY TO PERFORM WORK OF THIS SECTION.
4. ALL PLUMBING WORK SHALL BE IN ACCORDANCE WITH THE CURRENT PLUMBING CODE AND ALL APPLICABLE LOCAL CODES AND DRAWINGS.
5. IT SHALL BE THE RESPONSIBILITY OF THIS CONTRACTOR TO COORDINATE HIS WORK WITH THAT OF ALL OTHER TRADES, INCLUDING (BUT NOT LIMITED TO), ELECTRICAL, HVAC PROCESS PIPING, SPRINKLER, PLUMBING STRUCTURAL AND GENERAL ARCHITECTURE.
6. ANY INTERFERENCE SHALL BE BROUGHT TO THE ATTENTION OF THE CONSTRUCTION MANAGER AND THE OWNER'S REPRESENTATIVE, AND SHALL BE RESOLVED PRIOR TO THE INSTALLATION OF THE WORK INVOLVED.
7. NO WORK SHALL BE INSTALLED IN VIOLATION OF ANY GOVERNING CODES. ANY WORK SHOWN ON THE DRAWINGS WHICH IS IN VIOLATION OF SUCH CODES SHALL BE BROUGHT TO THE ATTENTION OF THE CONSTRUCTION MANAGER AND THE OWNER'S REPRESENTATIVE AND SHALL BE RESOLVED PRIOR TO THE INSTALLATION OF THE WORK INVOLVED.
8. ALL PIPING PENETRATING CEILING AND WALLS SHALL BE INSTALLED WITH CHROME (STAINLESS WHERE NOTED) PLATED ESCUTCHEONS AT THE PENETRATION. ALL PIPING PENETRATING EXTERIOR WALLS AND ROOFS SHALL BE FLASHED IN AN APPROVED MANNER AND SHALL BE SEALED WEATHER TIGHT. PIPING PENETRATING RATED PARTITIONS SHALL BE PROTECTED AS REQUIRED BY LOCAL CODE AUTHORITY. (SEE DETAILS)
9. MANUFACTURER'S MODEL NUMBERS ARE SPECIFIED SOLELY TO ESTABLISH STANDARDS OF QUALITY FOR PERFORMANCE AND MATERIALS.
10. PRODUCTION INSTALLATION SHALL ADHERE TO MANUFACTURERS' RECOMMENDATIONS.
11. PROVIDE ACCESS PANELS FOR EQUIPMENT THAT REQUIRES PERIODIC SERVICE.

12. CONTRACTOR SHALL COORDINATE ELECTRICAL CHARACTERISTICS AND REQUIREMENTS OF ALL PLUMBING EQUIPMENT WITH THE ELECTRICAL DRAWINGS AND SHALL FURNISH EQUIPMENT WIRED FOR THE VOLTAGES SHOWN HEREIN.
13. PROVIDE SHUTOFF VALVES ON ALL BRANCH PIPING AND ON ALL SUPPLIES TO INDIVIDUAL FIXTURES AND EQUIPMENT. PROVIDE BALL VALVES ON ALL WATER MAIN BRANCHES IN CORRIDORS AND WHERE INDICATED ON DRAWINGS. ALL VALVES SHALL BE ACCESSIBLE.
14. ALL SLEEVES THROUGH CONCRETE FLOORS AND ALL CORE DRILLING OF CONCRETE FLOORS AND WALLS SHALL BE BY THIS CONTRACTOR.
15. CONCRETE PADS AND PLATFORMS FOR WORK OF THIS SECTION WILL BE PROVIDED BY GENERAL CONTRACTOR. PROVIDE INFORMATION AND HARDWARE AS NECESSARY TO COORDINATE WORK.
16. SCHEDULE WORK OF THIS SECTION TO AVOID INTERFERE WITH FIRE-PROOFING WORK.
17. RUN PIPING CONCEALED, UNLESS SPECIFIED OTHERWISE, AND CLEAR OF CEILING INSERTS.
18. STRUCTURAL WELDING SHALL BE 1/4-INCH FILLET UNLESS REQUIRED OTHERWISE.
19. PROVIDE CLAMPS, OFFSETS, EXPANSION JOINTS, ANCHORS AND GUIDES AS NECESSARY TO PREVENT STRESS ON PIPING.
20. PROVIDE BALANCING VALVES AT SYSTEM LOOP RETURNS AND AT RETURN RISERS. PROVIDE SHUT-OFF VALVES AT SYSTEM LOOP SUPPLIES AND SUPPLY RISERS.
21. PROVIDE VENTS AT HIGH POINTS IN PIPING SYSTEMS AND DRAIN VALVES AT LOW POINTS.
22. PROVIDE GAUGE FITTINGS AND THERMOMETER WELLS AT HOT WATER SUPPLY AND RETURN BRANCHES AND AT PUMP INLETS AND OUTLETS.
23. VERIFY EXACT SIZES, LOCATIONS, INVERTS AND ELEVATIONS PRIOR TO RUNNING ANY PIPING. REFER TO ARCHITECTURAL DRAWINGS FOR EXACT LOCATIONS OF ALL FIXTURES AND EQUIPMENT.
24. PLUMBING SUBCONTRACTOR IS RESPONSIBLE FOR EXTENDING ALL REGULATOR VENTS TO ATMOSPHERE. REGULATORS ARE PART OF EQUIPMENT GAS TRAIN.
25. PIPING SHALL NOT RUN OVER ELECTRICAL PANELS AND SHALL BE COORDINATED WITH WORK OF OTHER TRADES.



Project
MERCY HOSPITAL
 Medical Office Bldg.
 Portland, Maine
 Dr. McNally Suite
 Suite 110
 Date
 December 14, 2007
 Project No.
 F07-5256.04
 Sheet No.
 P-1.1

Project
MERCY HOSPITAL
 Medical Office Bldg.
 Portland, Maine
 Dr. McNally Suite
 Suite 110
 Date
 December 14, 2007
 Project No.
 F07-5256.04
 Sheet No.
 P-1.1

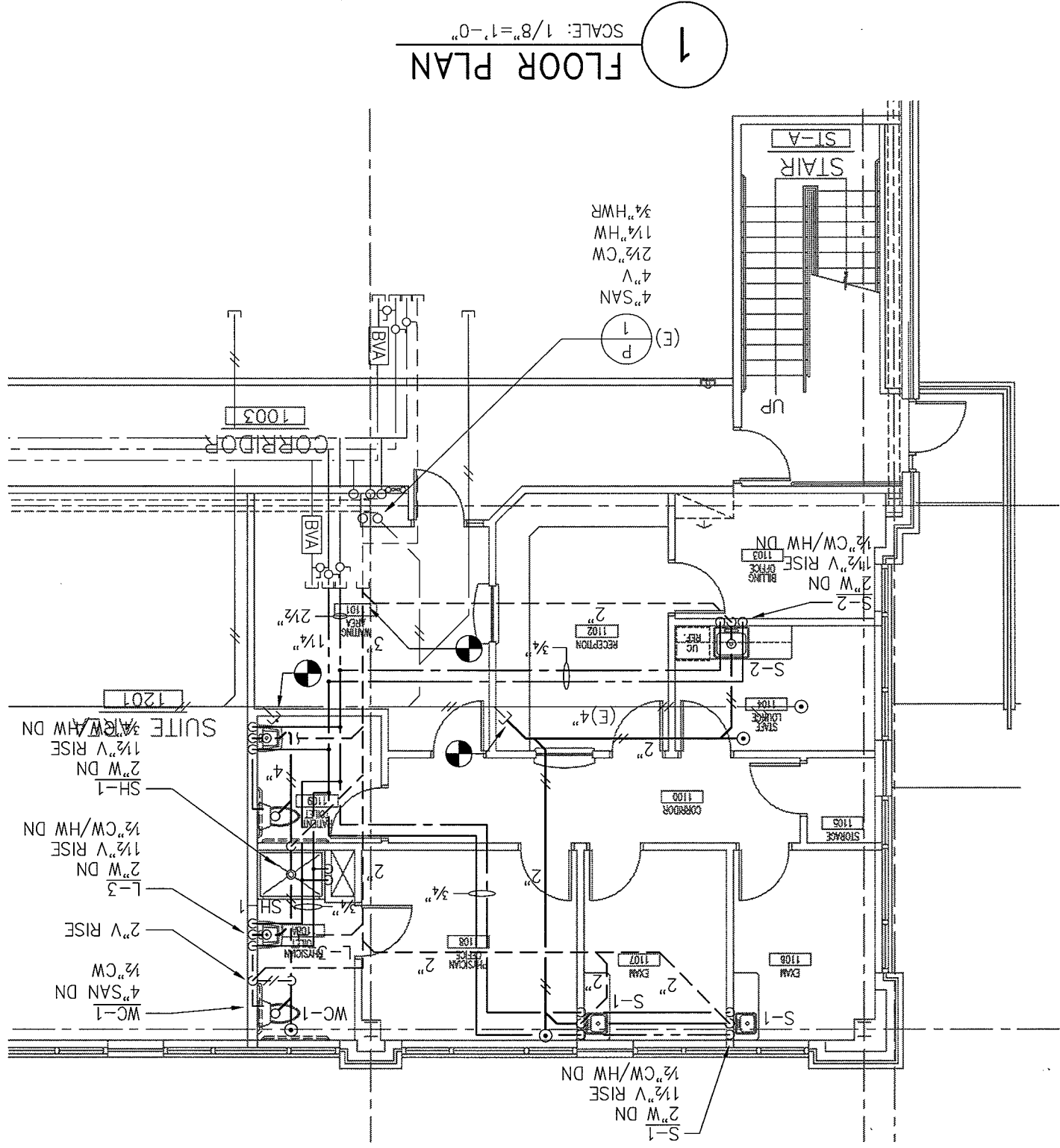


839 North Jefferson Street
 Milwaukee, Wisconsin 53202
 Telephone: (414) 277-0500
 Facsimile: (414) 277-1055

LANDMARK HEALTHCARE FACILITIES, LLC

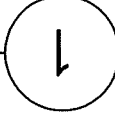
1500 WALNUT STREET, SUITE 1400
 PHILADELPHIA, PA 19102
 215.735.7290 TEL. 215.735.6706 FAX
 AKF PROJ. NO. P060106-D
 ALLINGTON - BOSTON - NEW YORK - PHILADELPHIA
 PRINCETON - STAMFORD - WASHINGTON

AKF
 engineers

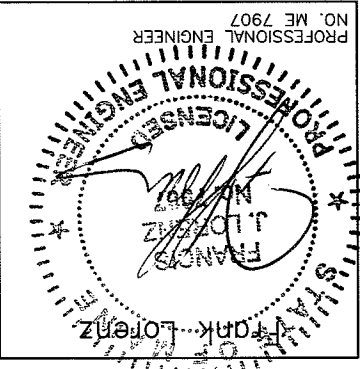


FLOOR PLAN

SCALE: 1/8"=1'-0"

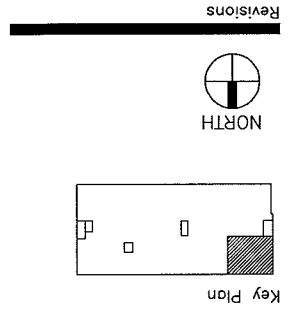
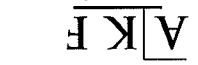


Project
MERCY HOSPITAL
 Medical Office Bldg.
 Portland, Maine
 Dr. McNally Suite
 Suite 110
 Date
 December 14, 2007
 Project No.
 F07-5256.04
 Sheet No.
P-2.0



Sheet
Plumbing
 Floor Plan

1500 WALNUT STREET, SUITE 1400
 PHILADELPHIA, PA 19102
 215.735.7290 TEL. 215.735.6706 FAX
 AKF PROJ. NO. P060106-D
 ARLINGTON - BOSTON - NEW YORK - PHILADELPHIA
 RANFORD - STAMFORD - MEMPHIS CITY



LANDMARK
HEALTHCARE
FACILITIES, LLC
 839 North Jefferson Street
 Milwaukee, Wisconsin 53202
 Telephone: (414) 277-0500
 Facsimile: (414) 277-1055

- NOTES:
1. THE EXACT LOCATION AND MOUNTING HEIGHTS OF ALL PLUMBING FIXTURES SHALL BE AS PER THE ARCHITECTURAL DRAWINGS.
 2. ALL SINKS AND LAVATORIES THAT ARE HANDICAPPED ACCESSIBLE SHALL BE PROVIDED WITH THERMAL AND IMPACT INSULATION/SHIELDING KITS ON SUPPLIES, TRAPS, TAILPIECES AND WASTE OUTLETS.

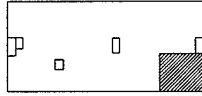
PLUMBING FIXTURE SCHEDULE													
FIXTURES	FIXTURE #	SERVICE CONNECTION					MANUFACTURER AND EQUIPMENT	MODEL NO.	REMARKS				
		WC-1	S	W	V	CW				HW			
FLUSH TANK (BOTTOM OUTLET)	●					4"		AMERICAN STANDARD CADET OLSONITE OPEN FRONT SEAT LESS COVER	2377.100	95			
LAVATORIES	L-1	L-2	L-3										
PRIVATE		●				1 1/2"	1 1/2"	SK: ELJER FAUCET: ELJER DRAIN: ELJER	051-2101	3571002	FURNISH OFFSET TRAP, VALVE STOPS, RISERS AND INSULATION KIT.		
SINKS	S-1	S-2	S-3	S-4									
EXAM	●					2"	1 1/2"	SK: ELKAY FAUCET: ELKAY DRAIN: ELKAY	BGR-15	LK411ABH4	LK36		
PANTRY	●					2"	1 1/2"	SK: ELKAY FAUCET: ELKAY DRAIN: ELKAY HOT WATER DISPENSER: INSINKERATOR	CR-3321	LK4380FCR (2)LK35L	HOT1		
SHOWERS	SH-1												
PRIVATE	●					2"	1 1/2"	LASCO FIBERGLASS	1363BFSC		FURNISH BRAB BAR, SEAT, CURTAIN ROD & CURTAIN. HAND HELD SHWR & MIXING CONTROL VALVE		

Sheet
Plumbing
Schedules

1500 W. ALBERT STREET, SUITE 1400
PHILADELPHIA, PA 19102
215.735.7290 TEL. 215.735.6706 FAX
AKF PROJ. NO. P060106-D
ARLINGTON - NEW YORK - MILWAUKEE
BOSTON - STAMFORD - MEXICO CITY

AKF
engineers

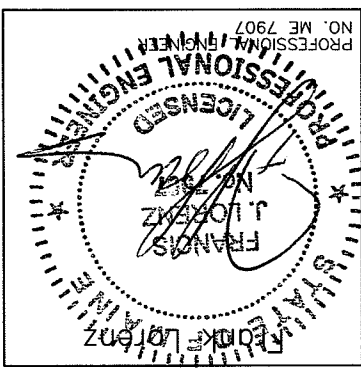
Revisions



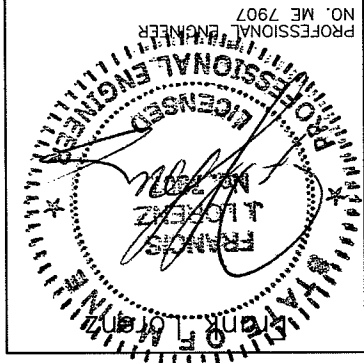
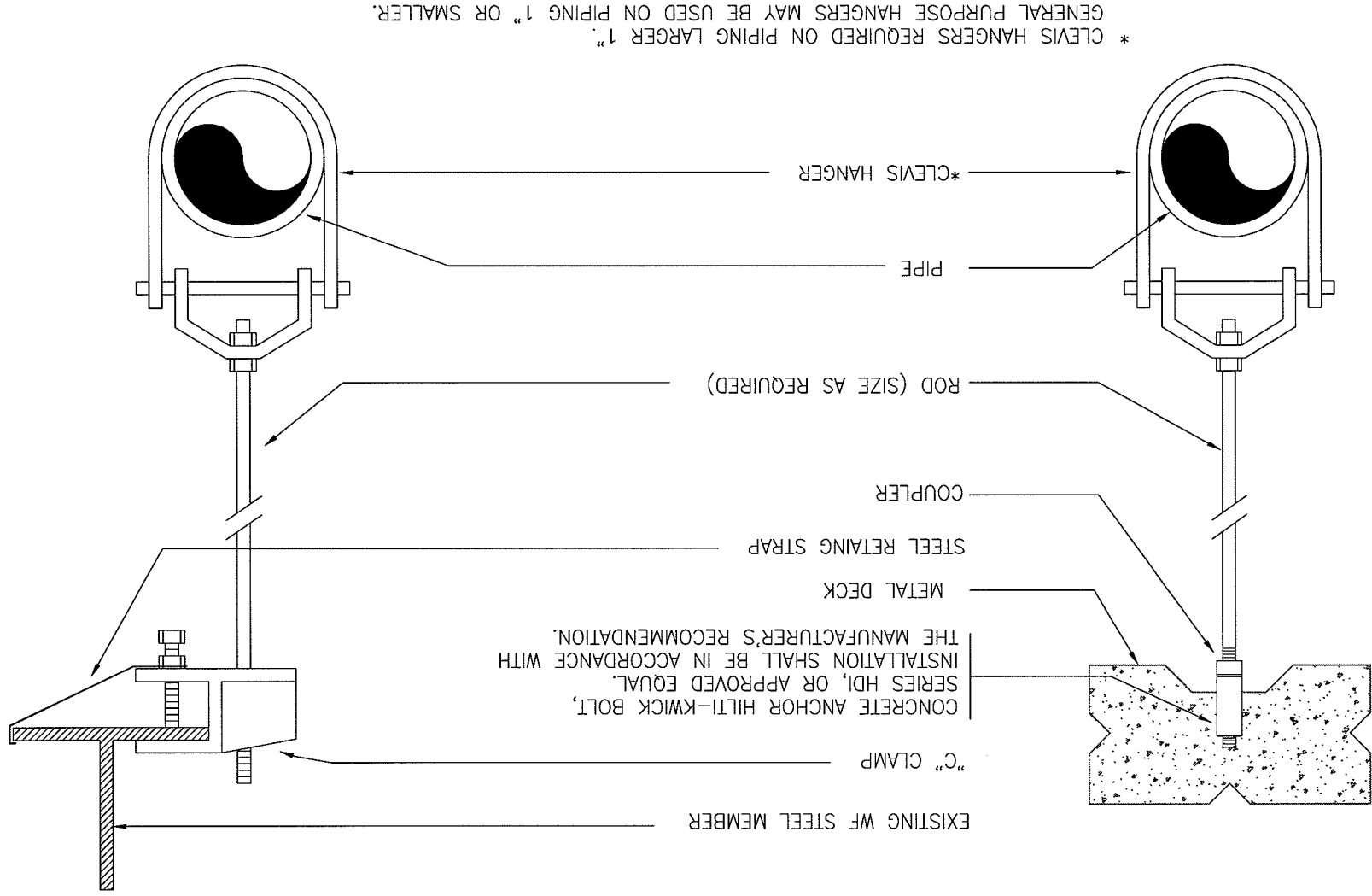
Key Plan

LANDMARK
HEALTHCARE
FACILITIES, LLC
839 North Jefferson Street
Milwaukee, Wisconsin 53202
Telephone: (414) 277-0500
Facsimile: (414) 277-1055

Project
MERCY HOSPITAL
Medical Office Bldg.
Portland, Maine
Dr. McNally Suite
Suite 110
Date
December 14, 2007
Project No.
F07-5256.04
Sheet No.
P-3.0



TYPICAL HANGER DETAIL

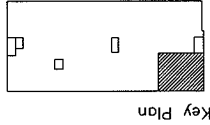


Project
MERCY HOSPITAL
 Medical Office Bldg.
 Portland, Maine
 Dr. McNally Suite
 Suite 110
 Date
 December 14, 2007
 Project No.
 F07-5256.04
 Sheet No.
P-4.0

Sheet
Plumbing
 Details

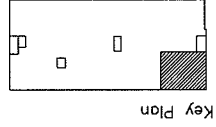
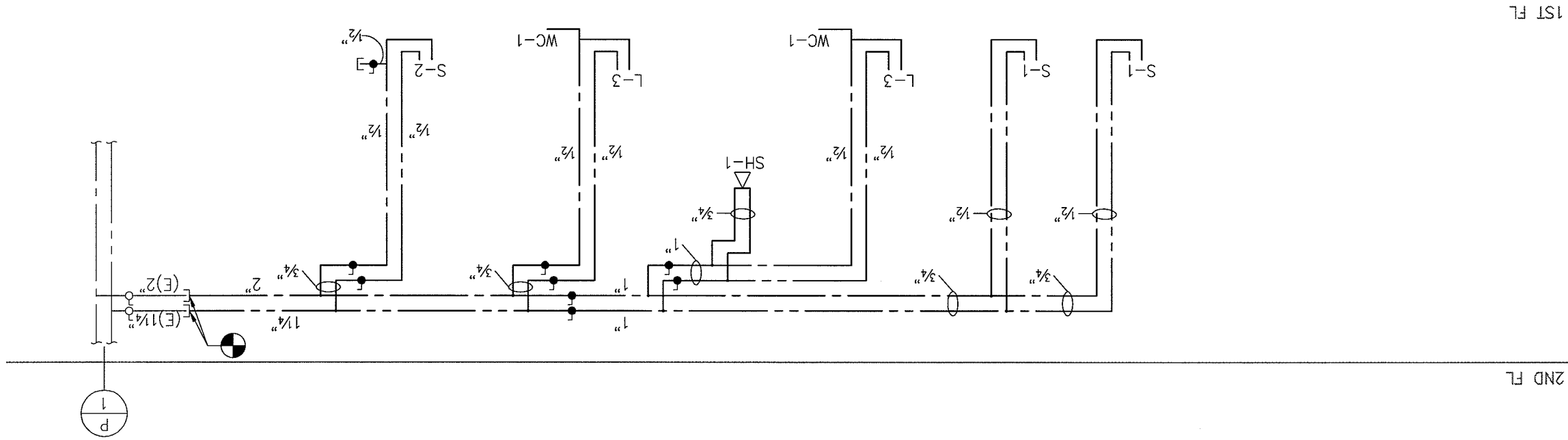
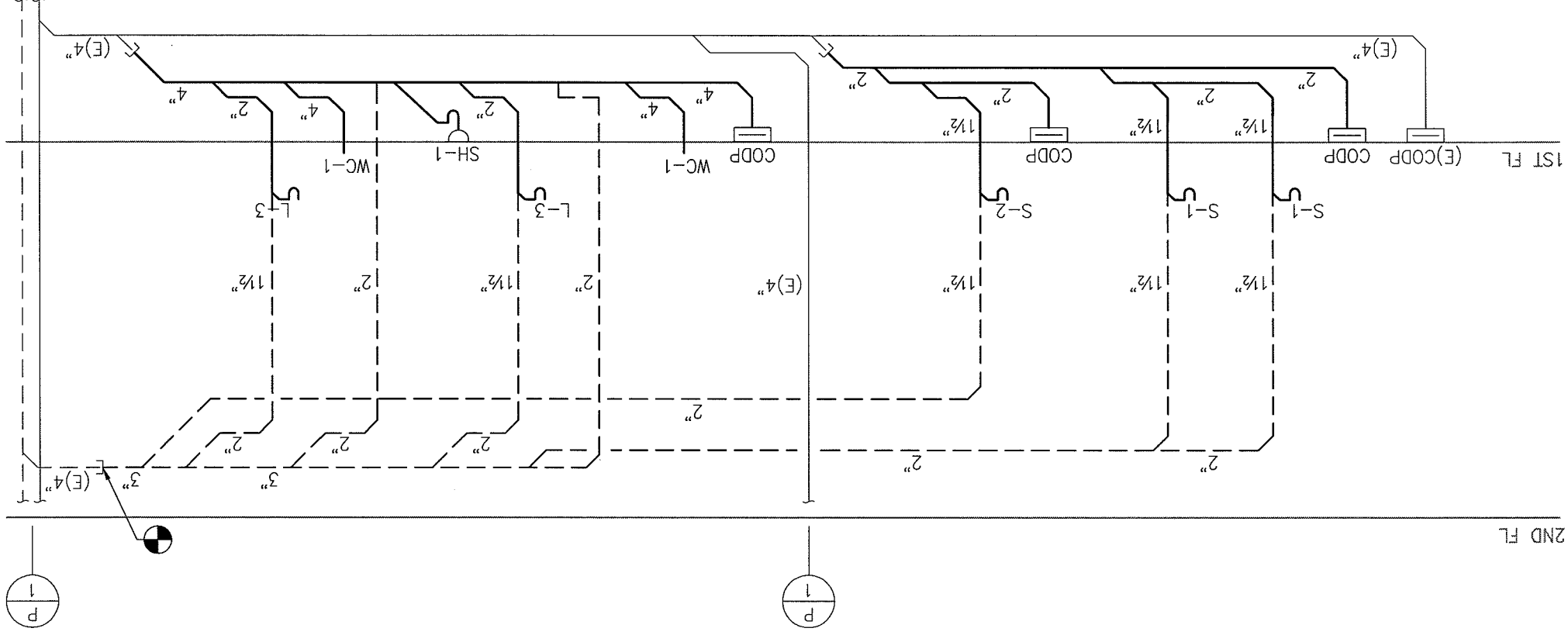
AKF
engineers
 1500 WALNUT STREET, SUITE 1400
 PHILADELPHIA, PA 19102
 215.735.7290 TEL. 215.735.6706 FAX
 AKF PROJ. NO. P060106-D
 BALTIMORE • BOSTON • NEW YORK • PHILADELPHIA
 PRINCETON • STAMFORD • WASHINGTON

Revisions



Key Plan

LANDMARK
HEALTHCARE
FACILITIES, LLC
 839 North Jefferson Street
 Milwaukee, Wisconsin 53202
 Telephone: (414) 277-0500
 Facsimile: (414) 277-1055



NORTH



Revisions

LANDMARK HEALTHCARE FACILITIES, LLC
 839 North Jefferson Street
 Milwaukee, Wisconsin 53202
 Telephone: (414) 277-0500
 Facsimile: (414) 277-1055

Key Plan

AKF
 engineers

1500 WALNUT STREET, SUITE 1400
 PHILADELPHIA, PA 19102
 215.755.7290 TEL 215.755.6766 FAX
 AKF PROJ. NO. P060106-D
 ARLINGTON - BOSTON - NEW YORK - PHILADELPHIA
 PRINCETON - STAMFORD - WASHINGTON

Sheet
Plumbing Risers

Project

MERCY HOSPITAL
 Medical Office Bldg.
 Portland, Maine
 Dr. McNally Suite
 Suite 110

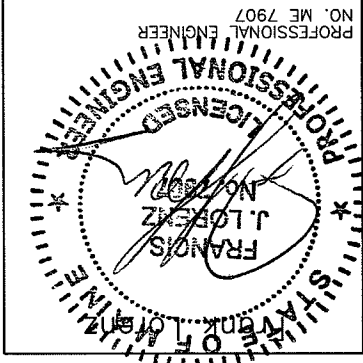
Date

December 14, 2007

Project No.
F07-5256.04

Sheet No.

P-5.0



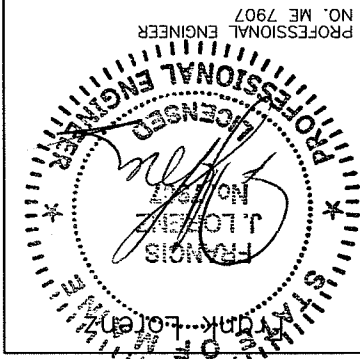
PROFESSIONAL ENGINEER
 NO. ME 7907

FIRE PROTECTION SYMBOLS
(NOT ALL SYMBOLS ARE NECESSARILY USED ON THIS PROJECT)

EXISTING PIPING	
NEW PIPING	
EXISTING SPRINKLER HEAD	
EXISTING SPRINKLER HEAD TO BE REMOVED	
NEW CONCEALED SPRINKLER HEAD	
NEW PENDENT SPRINKLER HEAD	
NEW UPRIGHT SPRINKLER HEAD	
NEW SIDE WALL SPRINKLER HEAD	
EXTEND EXISTING SPRINKLER PIPING TO NEW SPRINKLER HEAD	
FIRE EXTINGUISHER IN CABINET	
FIRE EXTINGUISHER WALL HUNG	
HYDRAULIC REFERENCE POINT	
SPRINKLER CONTROL VALVE	
PIPE UP/RISE	
PIPE DN/DROP	
CONNECT TO EXISTING	
DISCONNECT FROM EXISTING	
FHV	
FSP	
SPKR	
U.O.N.	

1. PROVIDE WET-PIPE SPRINKLERS IN ALL AREAS. PROVIDE DRY-TYPE SPRINKLER SYSTEM IN ALL AREAS WHERE AMBIENT TEMPERATURE IS 40 DEG F OR BELOW. SECURE WATER FLOW TEST DATA TAKEN FROM FIRE HYDRANTS NEAREST SITE. IF RECENT FLOW TEST DATA IS NOT AVAILABLE FROM CITY RECORDS, MAKE NECESSARY TESTS AS REQUIRED BY NFPA STANDARDS TO DETERMINE CHARACTER OF WATER SUPPLY. MINIMUM OF 20 PSI DROP IN PRESSURE BETWEEN STATIC AND RESIDUAL PRESSURE SHALL BE REQUIRED IN ORDER TO OBTAIN ACCURATE DATA.
2. SPRINKLER SYSTEM SHALL BE HYDRAULICALLY CALCULATED FOR LIGHT HAZARD OCCUPANCY EXCEPT AS NOTED.
3. SPRINKLERS FOR GENERAL AREAS SHALL BE TYPE AS SCHEDULED, 165 DEG F RATED, HYDRAULICALLY DESIGNED TO PROVIDE 0.10 GPM/SQ FT OVER MOST REMOTE 1500 SQ FT PLUS 50 GPM FOR HOSE STREAM. MAXIMUM PROTECTION AREA PER SPRINKLER SHALL BE 225 SQ FT. ROOM DESIGN METHOD ACCEPTABLE.
4. ADD 10% CONTINGENCY FACTOR TO HYDRAULIC CALCULATIONS.
5. EXACT LOCATION OF SPRINKLER HEADS IN FINISHED AREAS WITH SUSPENDED CEILING SHALL BE AS INDICATED ON REFLECTED CEILING PLANS.
6. MINIMUM PRESSURE AT END SPRINKLER HEAD 7 PSI.
7. EQUIVALENT FITTING LENGTHS USED IN HYDRAULIC CALCULATIONS SHALL BE IN ACCORDANCE WITH NFPA STANDARD NO. 13 AND FACTORY MUTUAL 0.5 2-8N. A. WHEREVER FITTINGS ARE USED IN CONJUNCTION WITH LIGHTWALL PIPE, EQUIVALENT FITTING LENGTHS INDICATED IN NFPA-13 SHALL BE INCREASED BY 39%.
8. MAXIMUM FLOW VELOCITY SHALL NOT EXCEED 32 F.P.S.
9. ALL AUTOMATIC SPRINKLER HEADS, PIPE FITTINGS, PIPE HANGERS, AUTOMATIC CONTROL VALVES AND MANUAL CONTROL VALVES SHALL BEAR FACTORY MUTUAL APPROVAL AND SHALL BE APPROVED BY THE ENGINEER PRIOR TO INSTALLATION.
10. ALL EXPOSED PIPE, FITTINGS, HANGERS AND SUPPLEMENTARY STEEL SHALL BE PAINTED.
11. ENDS OF ALL GROSS MAINS SHALL BE PROVIDED WITH THREADED FLUSHING CONNECTION NO MORE THAN 2 INCHES IN DIAMETER.
12. PROVIDE AUXILIARY DRAINS FOR ALL BELOW DUCT SPRINKLERS AND OTHER TRAPPED SECTIONS. PIPING TO ONE SINGLE SPRINKLER IS EXCLUDED.
13. PROVIDE FLUSHING CONNECTIONS WHERE REQUIRED BY NFPA AND F.M.
14. COORDINATE WITH OWNER FOR ALL SHUTDOWNS.
15. PROVIDE TEST CONNECTIONS AT HIGHEST POINT OF MAIN PORTION OF EACH SPRINKLER SYSTEM, WITH 1" PIPE AND VALVE. TEST PIPE SHALL BE CONNECTED TO SPRINKLER PIPE AT LEAST 1-1/4" IN SIZE AND SHALL DISCHARGE OUTSIDE BUILDING OR THROUGH 1/2" SMOOTH BORE BRASS OUTLET, WHERE IT CAN BE EASILY SEEN.
16. PROVIDE ADDITIONAL HEADS UNDER DUCTWORK LARGER THAN 48" WIDE.

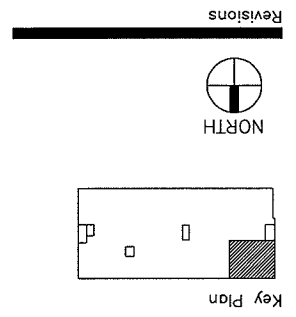
FIRE PROTECTION GENERAL NOTES:



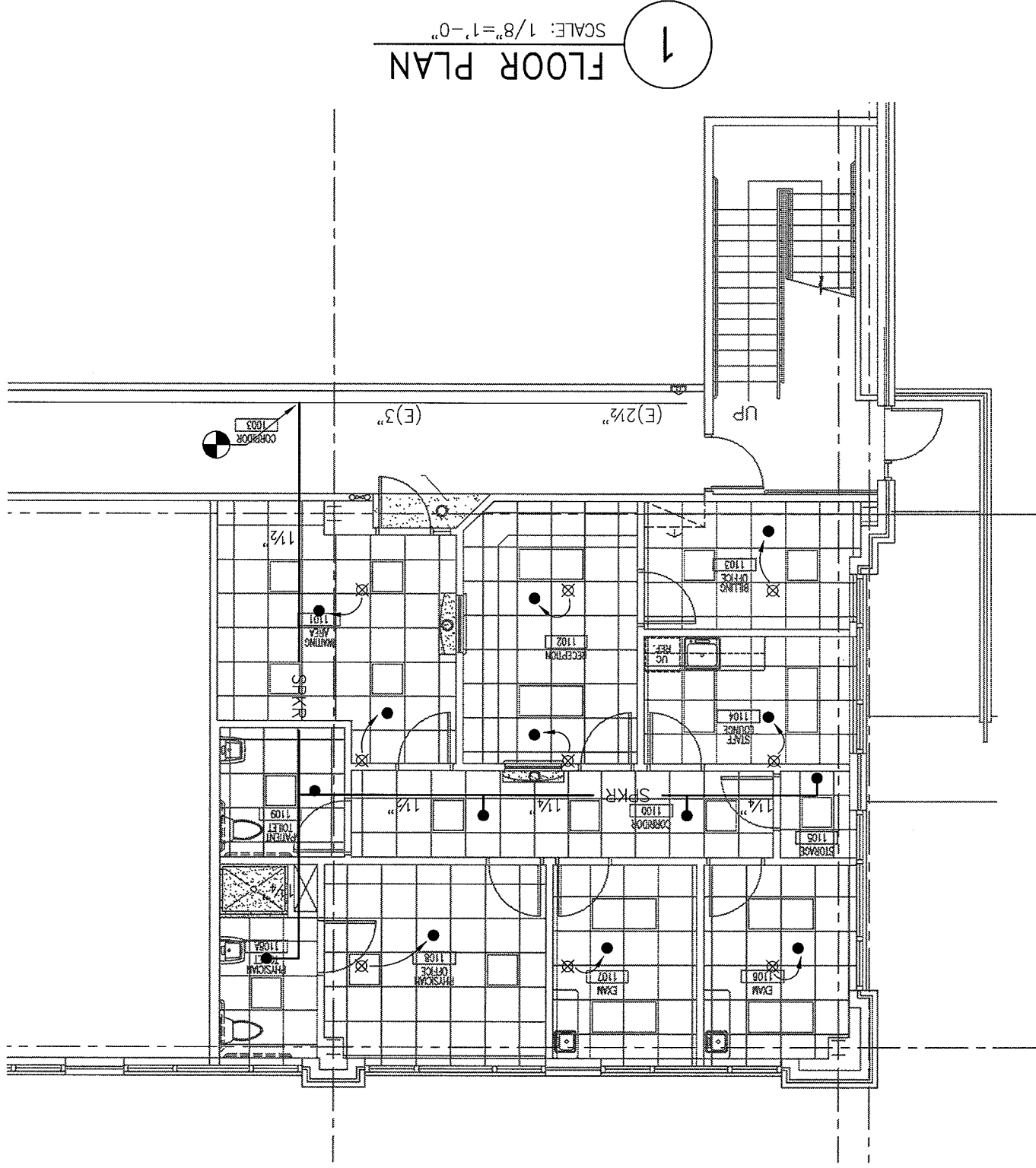
Project No. F07-5256.04
 Date December 14, 2007
 Suite 110
 Dr. McNally Suite
 Medical Office Bldg.
 Portland, Maine
 MERCY HOSPITAL

Sheet
 Fire Protection
 Cover Sheet

AKF
 engineers
 1500 WALNUT STREET, SUITE 1400
 PHILADELPHIA, PA 19102
 215.735.7290 TEL. 215.735.6706 FAX
 AKF PROJ. NO. P060106-D
 ARLINGTON - ROSELAND - NEW YORK - PHILADELPHIA
 PRINCETON - STAMFORD - WASHINGTON



LANDMARK
 HEALTHCARE
 FACILITIES, LLC
 839 North Jefferson Street
 Milwaukee, Wisconsin 53202
 Telephone: (414) 277-0500
 Facsimile: (414) 277-1055

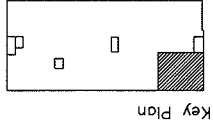


FLOOR PLAN

SCALE: 1/8"=1'-0"

1

LANDMARK HEALTHCARE FACILITIES, LLC
 839 North Jefferson Street
 Milwaukee, Wisconsin 53202
 Telephone: (414) 277-0500
 Facsimile: (414) 277-1055



Key Plan

NORTH



Revisions

AKF
engineers
 1500 WALNUT STREET, SUITE 1400
 PHILADELPHIA, PA 19102
 215.755.2998 TEL. 215.755.6706 FAX

Sheet
Fire Protection
 Floor Plan

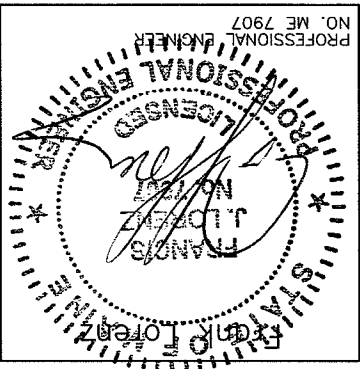
Project
MERCY HOSPITAL
 Medical Office Bldg.
 Portland, Maine

Dr. McNally Suite
 Suite 110

Date
 December 14, 2007

Project No.
 F07-5256.04

Sheet No.
 FP-2.0



HVAC BASIC DUCTWORK SYMBOLS

(NOT ALL SYMBOLS ARE NECESSARILY USED ON THIS PROJECT)

SINGLE LINE DUCTWORK OR EQUIPMENT - NEW
 SINGLE LINE DUCTWORK OR EQUIPMENT - EXISTING
 DUCTWORK TO BE REMOVED

DUCTWORK WITH ACOUSTIC LINING

DUCT UNDER POSITIVE PRESSURE (SUPPLY AIR OR FAN DISCHARGE)
 DUCT UNDER NEGATIVE PRESSURE (RETURN, EXHAUST OR OUTSIDE AIR)

VOLUME DAMPER
 FIRE DAMPER AND ACCESS DOOR
 BACK DRAFT DAMPER

COMBINATION SMOKE & FIRE DAMPER W/ACCESS DOOR
 AUTOMATIC DAMPER
 AUTOMATIC SMOKE DAMPER

CENTER LINE
 CUBIC FEET PER MINUTE
 DIAMETER

SQUARE FEET

POINT OF CONNECTION

POINT OF DISCONNECTION

RECTANGULAR CEILING DIFFUSER WITH 12" X 12" NECK
 400 CFM SUPPLY AIR
 TYPE A CEILING DIFFUSER

10" BY 8" CEILING REGISTER (CEILING GRILLE)
 300 CFM RETURN AIR

RECTANGULAR DIFFUSER WITH BLANKING PLATE

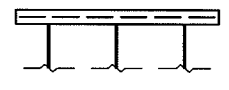
VANED ELBOW (SEE DETAIL) OR RADIUS ELBOW



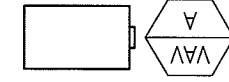
FLEXIBLE DUCT



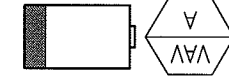
SLOTTED LINEAR DIFFUSER WITH PLENUM



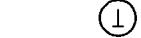
VAV BOX TYPE A



VAV BOX TYPE A WITH REHEAT COIL



THERMOSTAT

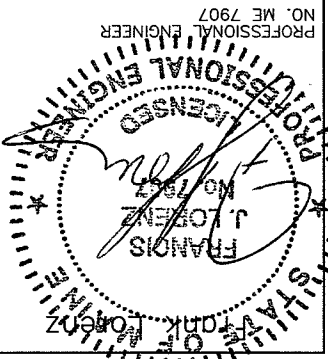


HVAC ABBREVIATIONS

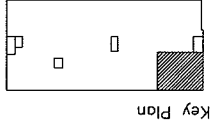
(NOT ALL ABBREVS. ARE NECESSARILY USED ON THIS PROJECT)

EWB ENTERING WET BULB TEMPERATURE
 EWT ENTERING WATER TEMPERATURE EXHAUST
 F. DEGREES FAHRENHEIT
 FA FREE AREA (SQ.FT.)
 FC FLEXIBLE CONNECTION
 FD FIRE DAMPER
 FLA FULL LOAD AMPERES
 FPM FEET PER MINUTE
 GAL GALLON
 GPH GALLONS PER HOUR
 GPM GALLONS PER MINUTE
 HT HEIGHT
 HZ FREQUENCY
 IN INCH OR INCHES
 LAT LEAVING AIR TEMPERATURE
 LD LINEAR DIFFUSER
 LWB LEAVING WET BULB TEMPERATURE
 LWT LEAVING WATER TEMPERATURE

MBH THOUSAND BTU PER HOUR
 MIN MINIMUM
 NEW
 NIC NOT IN CONTRACT
 NO. NUMBER
 NTS NOT TO SCALE
 OA OUTSIDE AIR
 OAI OUTSIDE AIR INTAKE
 OED OPEN END DUCT
 RA RETURN AIR
 (RE) RELOCATED EXISTING
 RF RETURN FAN
 RH RELATIVE HUMIDITY
 RHC REHEAT COIL
 RPM REVOLUTIONS PER MINUTE
 SA SUPPLY AIR
 SD SMOKE DAMPER
 SP STATIC PRESSURE
 TEMP TEMPERATURE
 TYP TYPICAL
 UH UNIT HEATER
 VAV VARIABLE AIR VOLUME UNIT
 W/ WITH
 WMS WIRE MESH SCREEN



LANDMARK HEALTHCARE FACILITIES, LLC
 839 North Jefferson Street
 Milwaukee, Wisconsin 53202
 Telephone: (414) 277-0500
 Facsimile: (414) 277-1055



Revisions



A|K|F
 engineers

1500 WALNUT STREET, SUITE 1400
 PHILADELPHIA, PA 19102
 215.755.2290 TEL. 215.755.6706 FAX

Sheet
 Hvac
 Cover Sheet

Project

MERCY HOSPITAL
 Medical Office Bldg.
 Portland, Maine

Dr. McNelly Suite

Suite 110

Date

December 14, 2007

Project No.
 F07-5256.04

Sheet No.

H-1.0

- NOTES:
1. NOT ALL DIFFUSER AND REGISTER TYPES ARE NECESSARILY USED. REFER TO PLANS.
 2. LINEAR DIFFUSERS INSTALLED IN GYP BOARD WALLS OR CEILINGS TO COME WITH OPPOSED BLADE DAMPERS ACCESSIBLE FROM FACE OF DIFFUSER.
 3. LINEAR DIFFUSERS TO COME COMPLETE WITH MATCHING PLENUM MP-38.

UNIT NO.	CFM RANGE	SERVICE TYPE	NECK SIZE (IN.)	FACE OVERALL DIMENSIONS WxL (IN.)	BASIS OF DESIGN
LD-A	0-100	SUPPLY	LAY-IN	2-SLOT 3.75"W.D. x 2'-0"	TITUS ML-38
LD-B	101-180 CFM	SUPPLY	LAY-IN	3-SLOT 5.25"W.D. x 2'-0"	TITUS ML-38
LD-C	181-230 CFM	SUPPLY	LAY-IN	4-SLOT 6.75"W.D. x 2'-0"	TITUS ML-38
CR	0-150	EXH	LAY-IN	6"Ø 12x12	TITUS PAR
CR	301-450	EXH	LAY-IN	10"Ø 24x24	TITUS PAR
CG	0-1500	RET	LAY-IN	22x22 24x24	TITUS PAR

BASED ON: TITUS

DIFFUSER SCHEDULE

DESIGNATION	INLET SIZE	INDUCTION OPENING (WxH)	SIZE	EFFICIENCY	DUCT OPENING (WxH)	PERFORMANCE DATA			AIR DATA			FAN DATA		
						CFM @ MIN. Δ SP	MAX. PRIMARY CFM	MIN. PRIMARY CFM	MAX. RETURN CFM	EXT. SP (IN. W.G.)	FAN TYPE	INLET SIZE	INDUCTION OPENING (WxH)	SIZE
FPB-1-1	10	12x18.25	14x18	30%	16.5x14.63	960	960	0	960	960	0.5	CENTRIF		
FPB-1-2	10	12x18.25	14x18	30%	16.5x14.63	870	870	0	870	870	0.5	CENTRIF		

SERIES FAN POWERED TERMINAL UNIT SCHEDULE (CONT.)

DESIGNATION	MOTOR HP	FLA	ELECTRICAL DATA			ELECTRIC HEATING COIL DATA							TYPE OF CONTROLS	MANUF. #	REMARKS			
			VOLTS	PHASE	HZ	NO. OF STEPS	FULL-LOAD AMPERES	PHASE	HZ	MINIMUM HEATING CFM	STATIC PRESSURE ΔPS (IN W.G.)	DISCHARGE SOUND LEVEL AT MAX. CFM & ΔPS=1" (NC)						
FPB-1-1	1/3	3.0	480	3	60	21.5	480	3	60	6.3	480	3	60	7.6	3	DDC	DIFS	-
FPB-1-2	1/3	3.0	480	3	60	19.0	480	3	60	5.6	480	3	60	6.7	3	DDC	DIFS	-

BASED ON: TITUS

TERMINAL BOX SCHEDULE

DESIGNATION	BOX TYPE	BOX SIZE (INLET SIZE)	AIRFLOW RANGE (CFM)		MBH	KW INPUT	VOLTS	PHASE	HZ	FULL-LOAD AMPERES	NO. OF STEPS (STAGES)	LOWEST MINIMUM HEATING CFM	STATIC PRESSURE ΔPS (IN W.G.)	DISCHARGE SOUND LEVEL AT MAX. CFM & ΔPS=1" (NC)
			MIN.	MAX.										
VAV-1-2	VAV	12	0	1430	32.2	9.4	480	3	60	11.4	3	425	0.5	26

BASED ON: TITUS

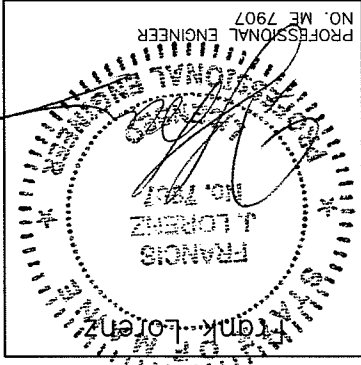
TERMINAL BOX SCHEDULE (CONT.)

DESIGNATION	RADIATED SOUND LEVEL AT MAX. CFM & ΔPS=1" (NC)	TYPE OF CONTROLS	MANUF. #	REMARKS
VAV-1-2	29	DDC	DESV	-

BASED ON: TITUS

Hvac Schedules

Project: MERCY HOSPITAL
Medical Office Bldg. Portland, Maine
Dr. McNally Suite Suite 110
Date: December 14, 2007
Project No. F07-5256.04
Sheet No. H-3.0



AKF engineers
1500 WALNUT STREET, SUITE 1400
PHILADELPHIA, PA 19102
215.755.7296 TEL. 215.755.6706 FAX
AVE PROJ. NO. P060106-D
MULTIMEDIA CENTER - STAMFORD - MEXICO CITY

Revisions

Key Plan

LANDMARK HEALTHCARE FACILITIES, LLC
839 North Jefferson Street
Milwaukee, Wisconsin 53202
Telephone: (414) 277-0500
Facsimile: (414) 277-1055