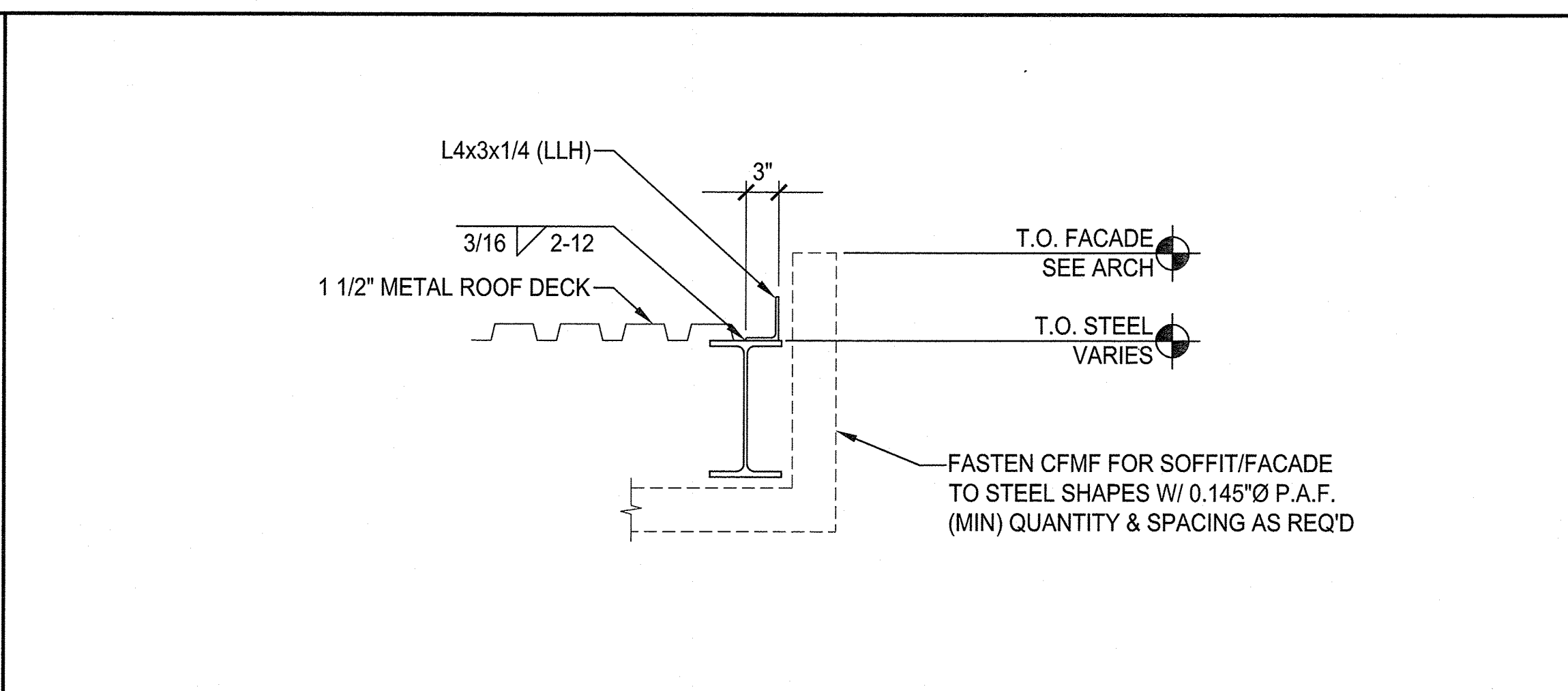
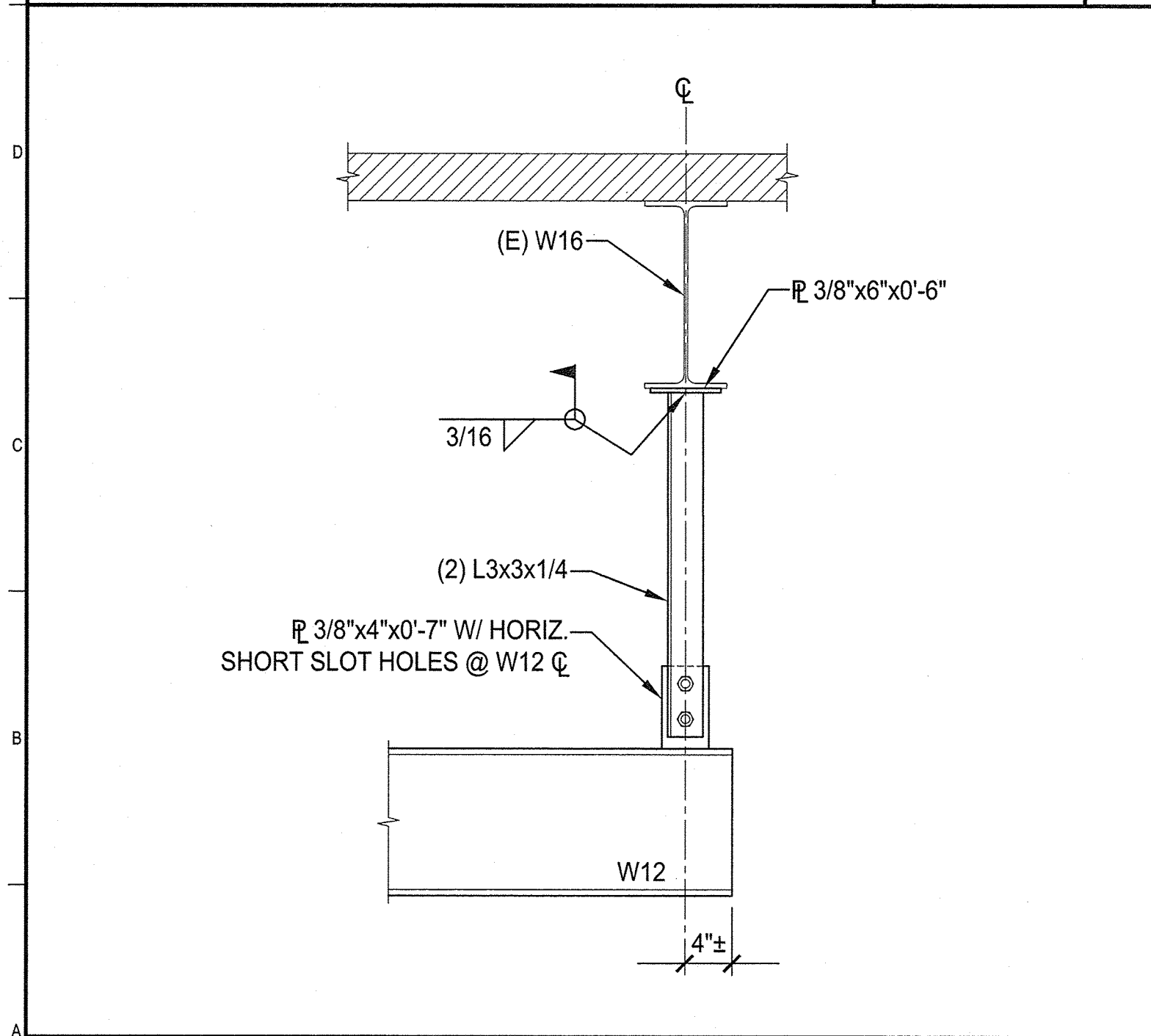


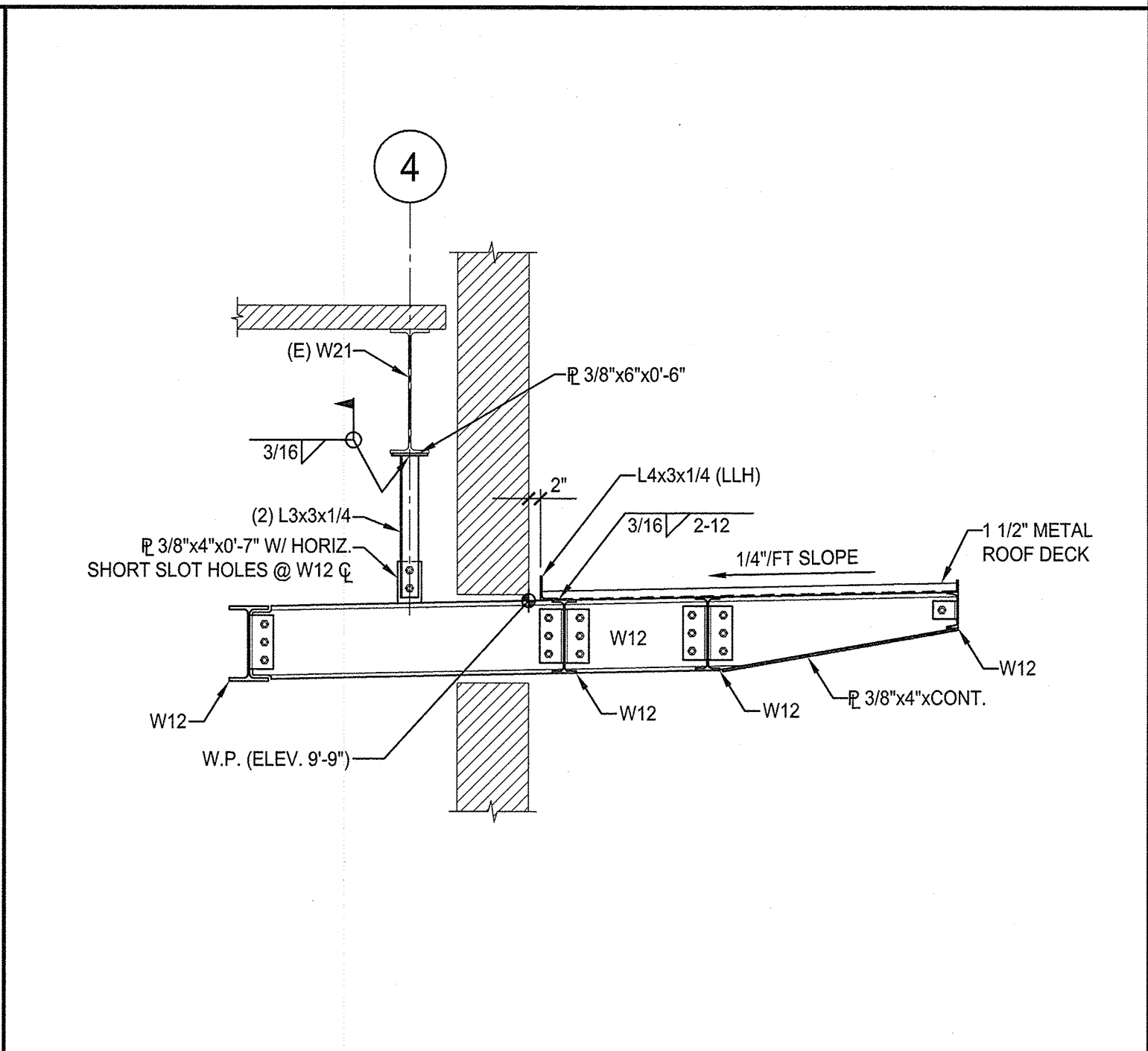
E11 SECTION AT NEW SLAB ON GRADE
3/4" = 1'-0"



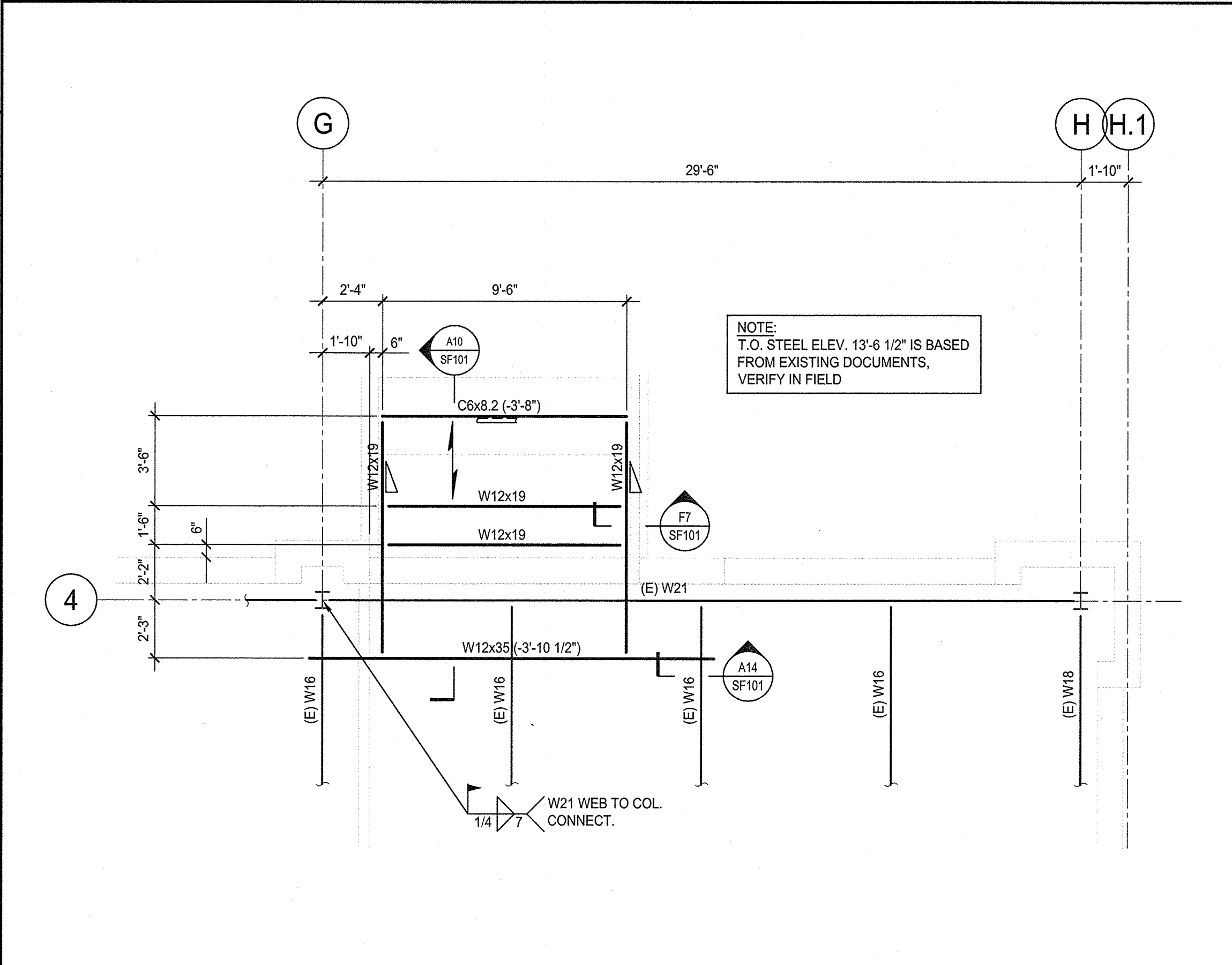
F7 SECTION
1" = 1'-0"



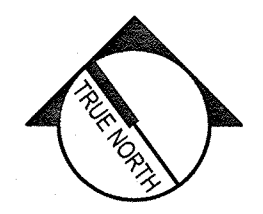
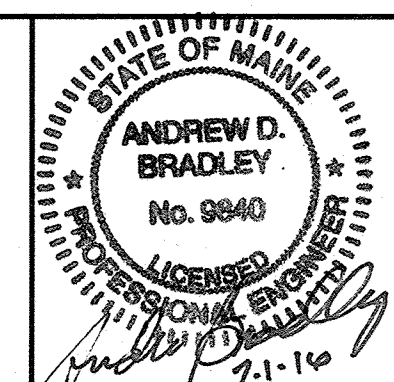
A14 SECTION
1" = 1'-0"



A10 SECTION
1/2" = 1'-0"



A7 CANOPY FRAMING PLAN
1/4" = 1'-0"

0	PERMIT SET	7-1-16
REV	DESCRIPTION	DATE
PERMIT SET 7-1-16		
CURRENT ISSUE STATUS:		
		
PROJECT NORTH: SMRT Architects and Engineers 144 Fore Street Portland, Maine 04104 1.877.700.7678 www.smrtinc.com		
MILLER DRUG FITUP MERCY FORE RIVER MOB 195 Fore River Parkway, Portland, ME 04102		
CANOPY FRAMING PLAN		
SHEET TITLE:		
SCALE: AS NOTED		
PROJECT MANAGER:	KD	PROJECT NO: 16087
A/E OF RECORD:	ADB	
JOB CAPTAIN:	SHK	
DRAWN BY:	DSF	
SMRT FILE:	SF101-16087	SHEET No. SF101