

144 Fore Street/F.O. Box 618  
 Portland, Maine 04104  
 tel. (207) 772-3846  
 fax. (207) 772-1000  
 www.smrinc.com

ARCHITECTURE  
 ENGINEERING  
 PLANNING  
 INTERIOR DESIGN  
 COMMISSIONING



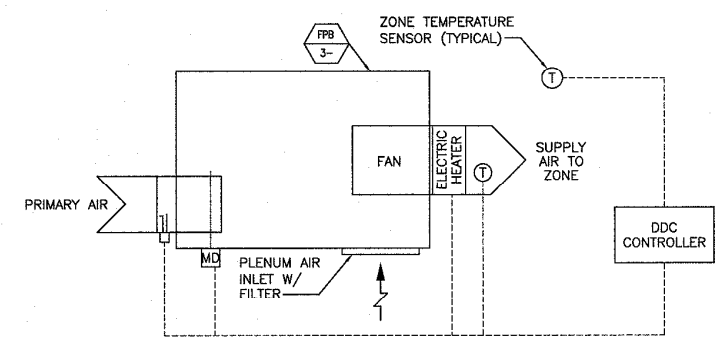
SUITE 390 FIT-UP  
 PORTLAND, ME

PERMIT SET  
 07/28/14

DATE	DESCRIPTION	REV

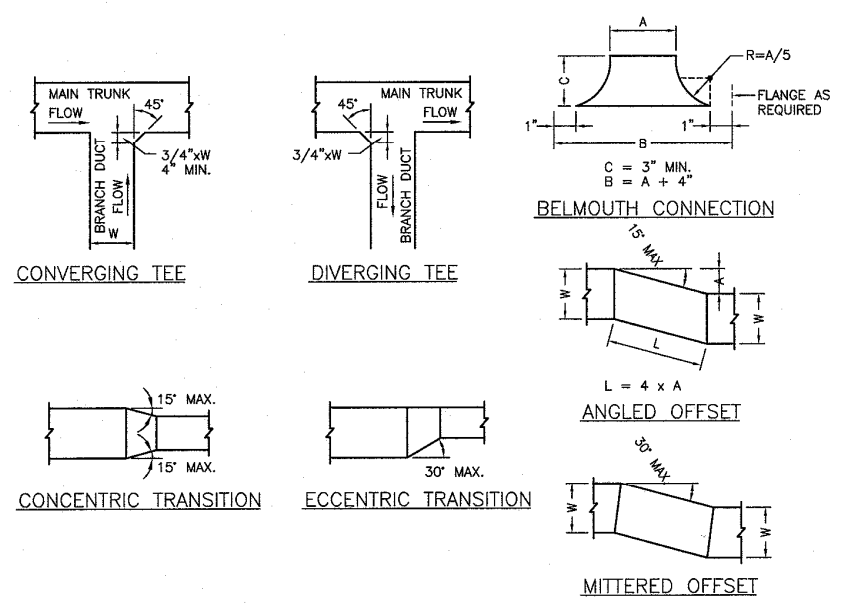
GRAPHIC SCALE:  
 0" 1"  
 SCALE: NOT TO SCALE  
 PROJECT MANAGER: CDP  
 JC/DRAWN BY: KP/B  
 A/E OF RECORD: C/JM  
 CAD FILE: M-501-13062  
 PROJECT NO: 13162  
 DATE:  

SHEET TITLE:  
**MECHANICAL SCHEDULES AND DETAILS**  
 SHEET No.  
**M-501**  
© COPYRIGHT 2014 SMR INC.

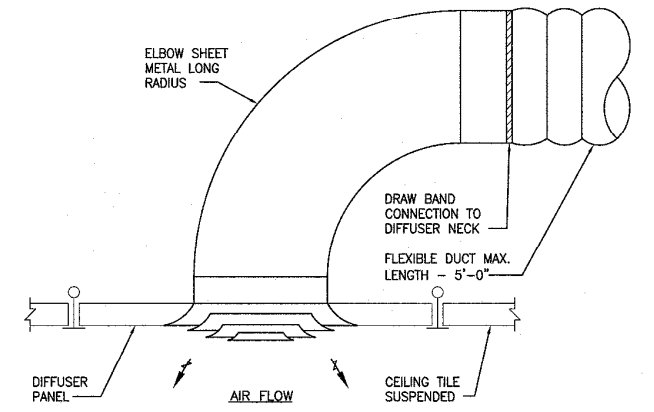


**SERIES FAN-POWERED VARIABLE AIR VOLUME BOX SEQUENCE OF OPERATION**  
 1. VAV CONTROL: DUAL TEMPERATURE THERMOSTAT SET AT 75°F (ADJUSTABLE) MAINTAINS CONSTANT SPACE TEMPERATURE BY MODULATING THE PRIMARY AIR DAMPER. ON A RISE OF TEMPERATURE ABOVE THE COOLING SET POINT (75°F ADJUSTABLE), THE PRIMARY AIR DAMPER SHALL MODULATE TO ITS MAXIMUM CFM. AS THE TEMPERATURE DROPS BELOW THE COOLING SET POINT, PRIMARY AIR DAMPER SHALL MODULATE TO ITS MINIMUM CFM. AS THE SPACE TEMPERATURE CONTINUES TO FALL TO THE HEATING SET POINT (70°F ADJUSTABLE), THE ELECTRIC HEATER SHALL MODULATE TO MAINTAIN THE SPACE TEMPERATURE SETPOINT. FAN SHALL OPERATE CONTINUOUSLY DURING OCCUPIED HOURS. FAN SHALL OPERATE ONLY ON A CALL FOR COOLING OR HEATING DURING UNOCCUPIED HOURS.

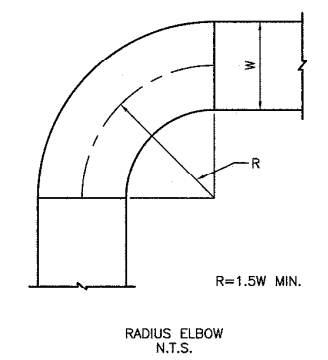
**E1 SERIES FAN-POWERED VAV BOX SCHEMATIC**  
 NOT TO SCALE



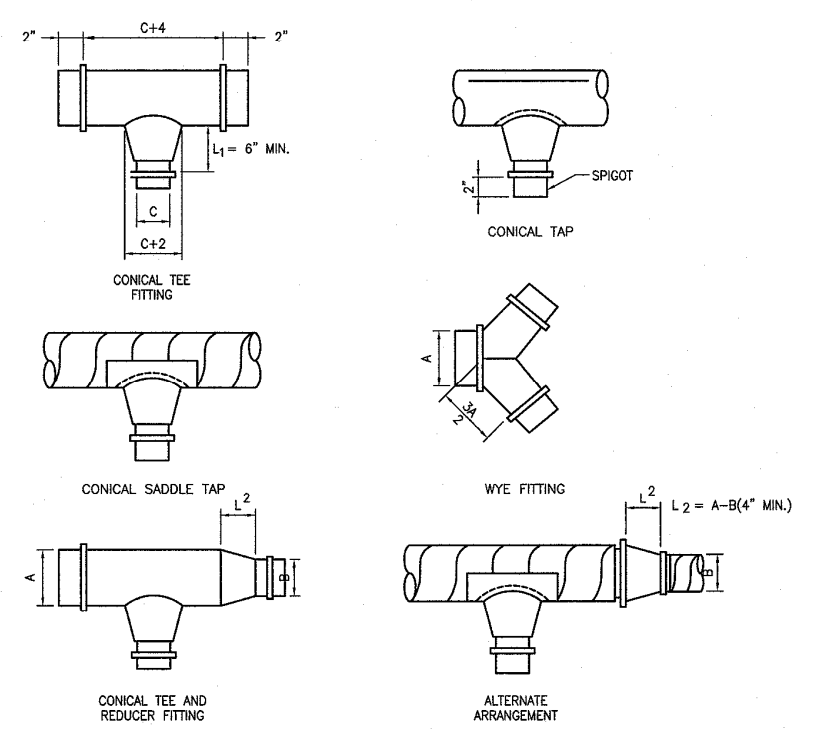
**A1 DUCT TRANSITIONS**  
 NOT TO SCALE



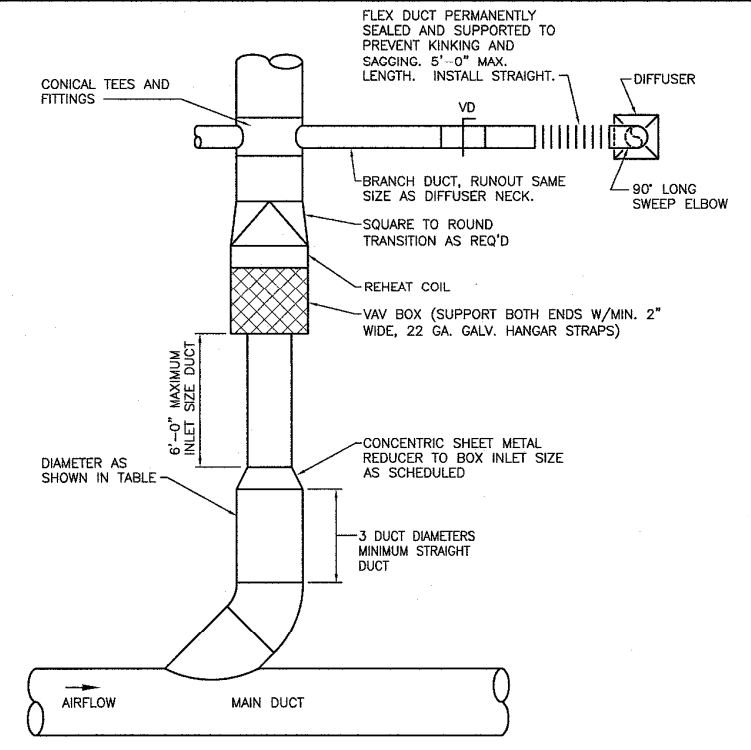
**F7 DIFFUSER CONNECTION DETAIL**  
 NOT TO SCALE



**F12 LOW PRESSURE DUCT ELBOWS**  
 NOT TO SCALE



**A7 CONICAL TEES**  
 NOT TO SCALE



**A12 VAV BOX SCHEMATIC**  
 NOT TO SCALE