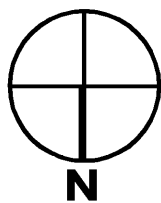


Project Title

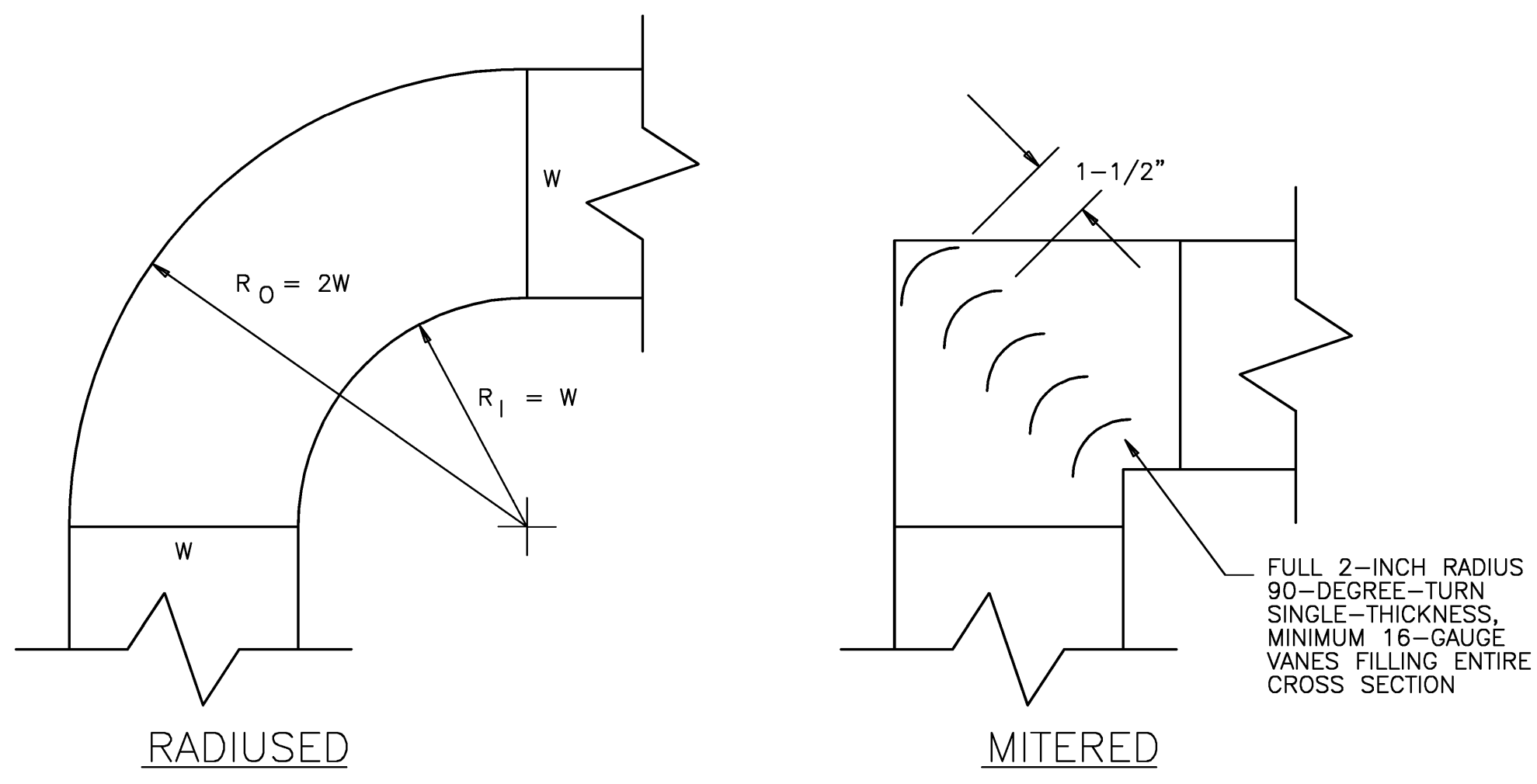
MERCY HEALTH CENTER
WESTGATE PLAZA
PORTLAND, MAINE

HA Project No. **07182**

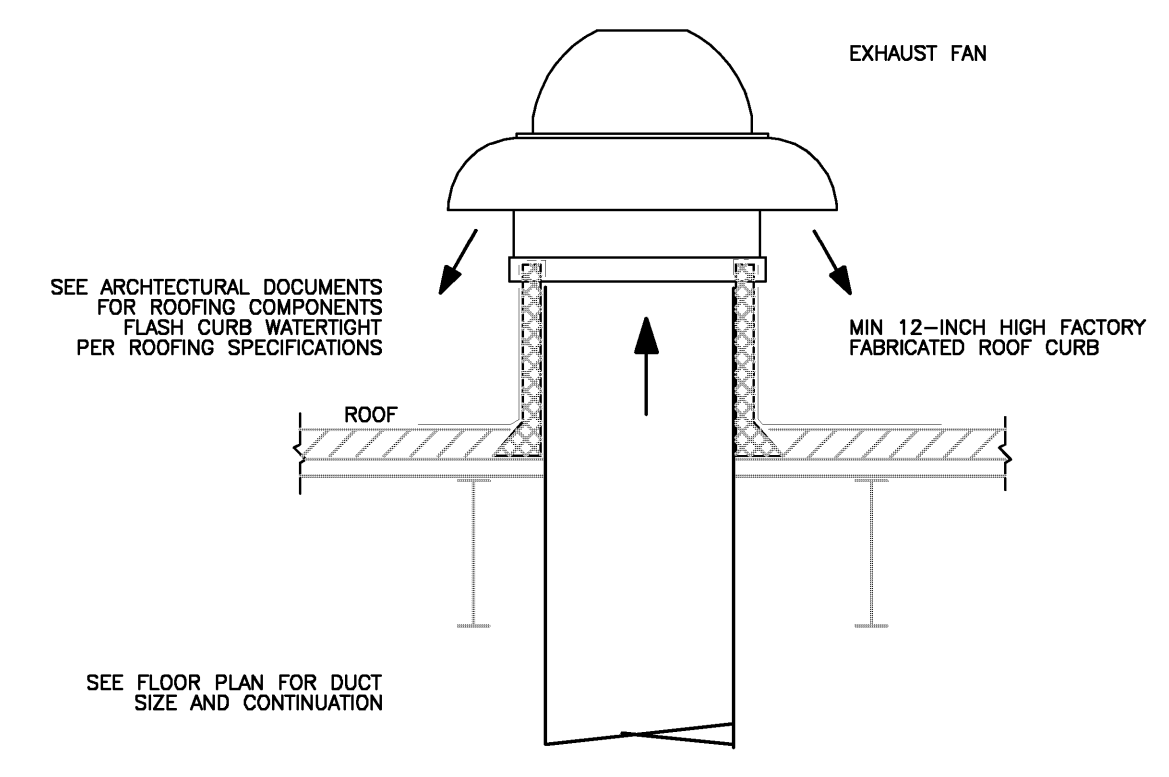
Key Plan



USE MITERED ONLY WHERE SPACE IS TOO TIGHT FOR RADIUS. WHERE SPACE ALLOWS, A HALF-RADIUS (R₁ = 1/2 W) MAY BE USED INSTEAD OF MITERED.

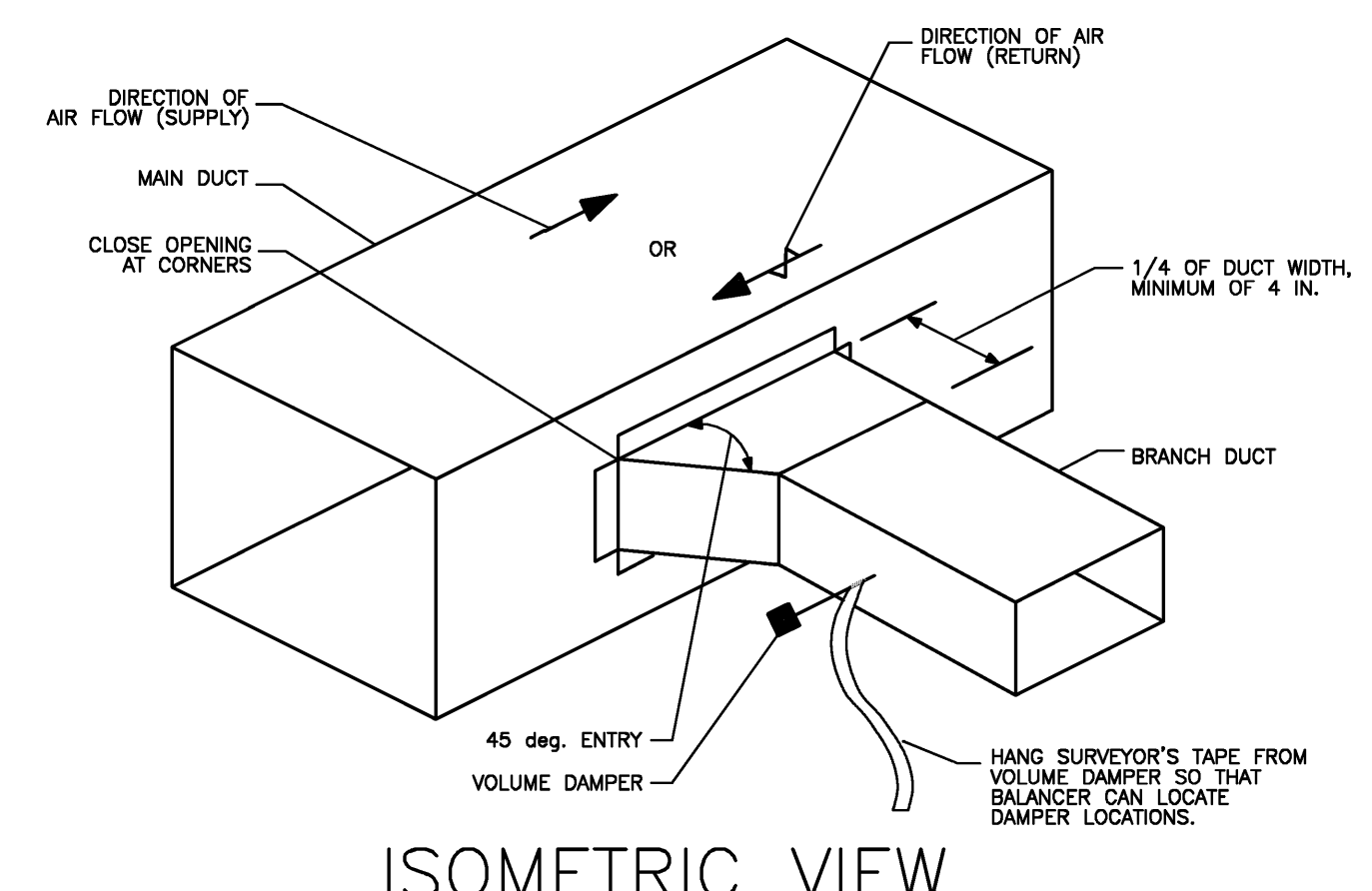


DUCT ELBOW DETAILS
NO SCALE REF: **M4**

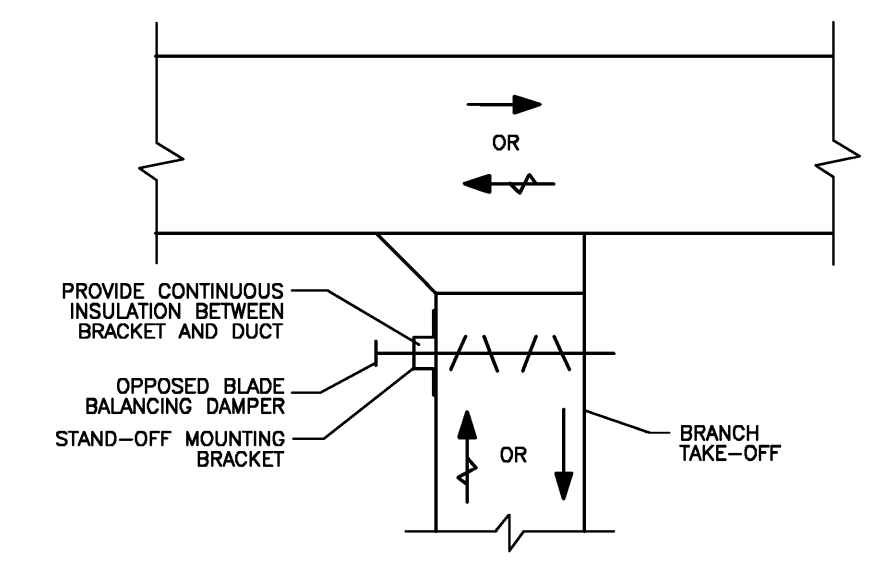


EXHAUST FAN-FLAT ROOF DETAIL
NO SCALE

ROOFTOP EXHAUST FAN DETAILS
NO SCALE REF: **M3**



ISOMETRIC VIEW

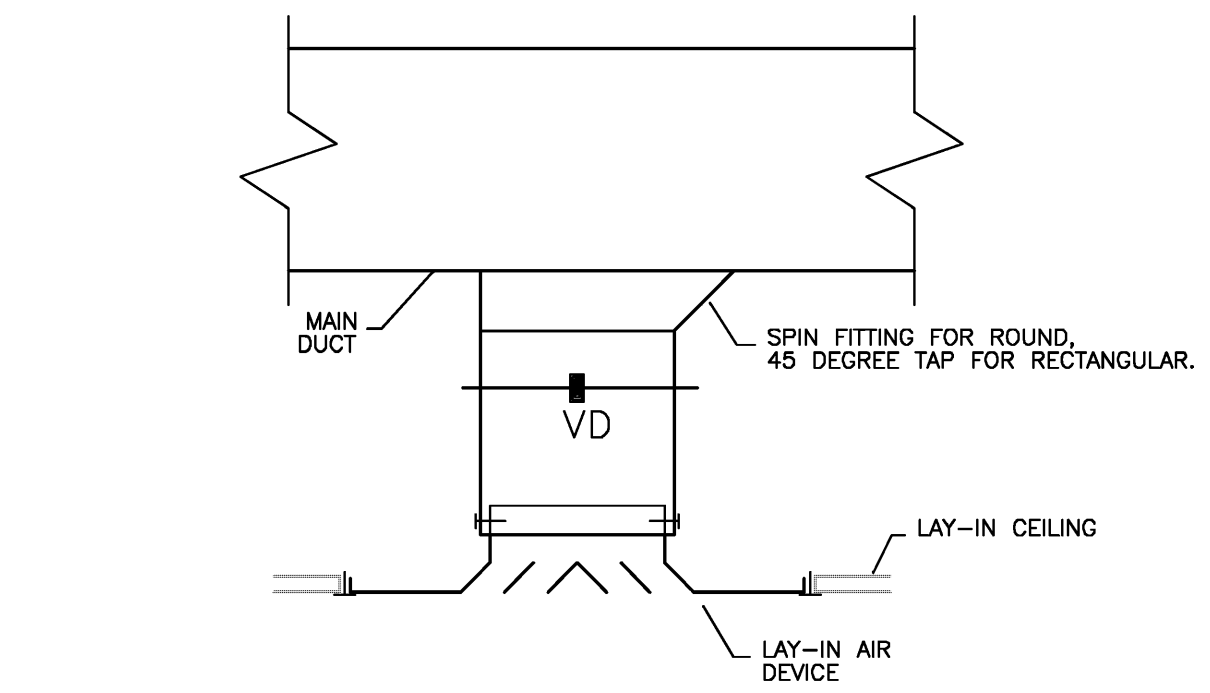


PLAN VIEW

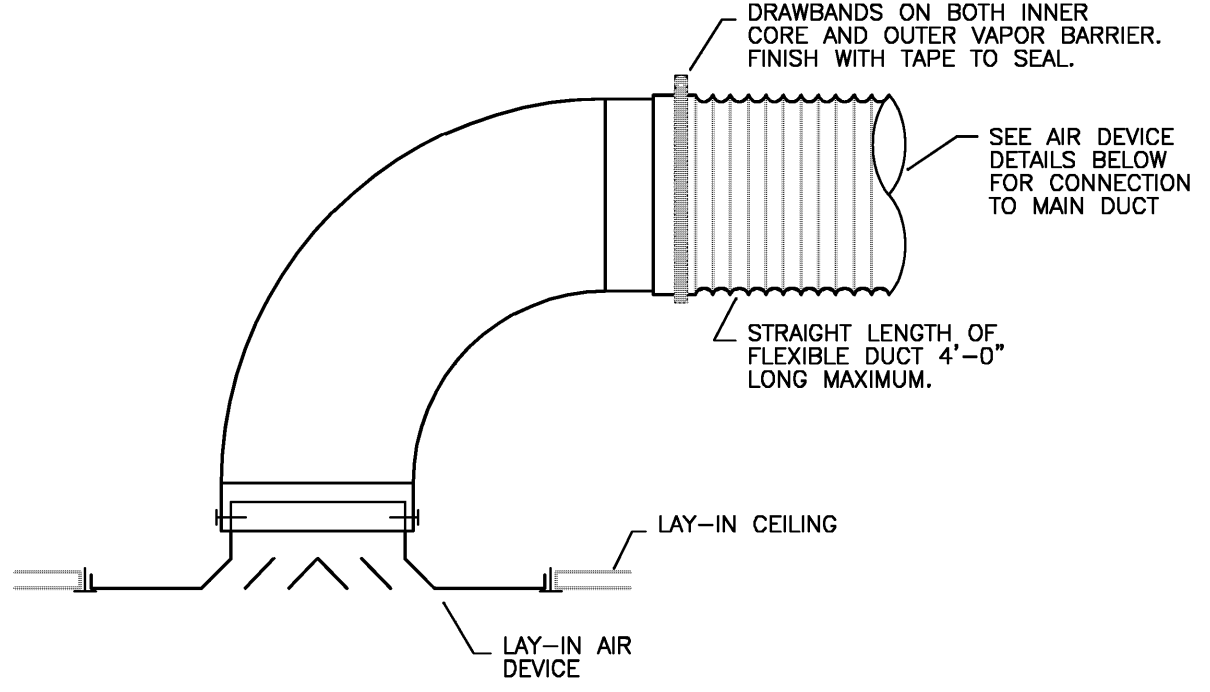
INSULATED SUPPLY AND RETURN DUCTWORK SHALL BE INSTALLED WITH STAND-OFF MOUNTING BRACKETS FOR VOLUME/BALANCING DAMPER OPERATORS. ALLOW CLEARANCE BETWEEN DUCT AND OPERATOR OF NOT LESS THAN INSULATION THICKNESS.

TYPICAL BRANCH DUCT TAKE-OFF DETAIL
NO SCALE

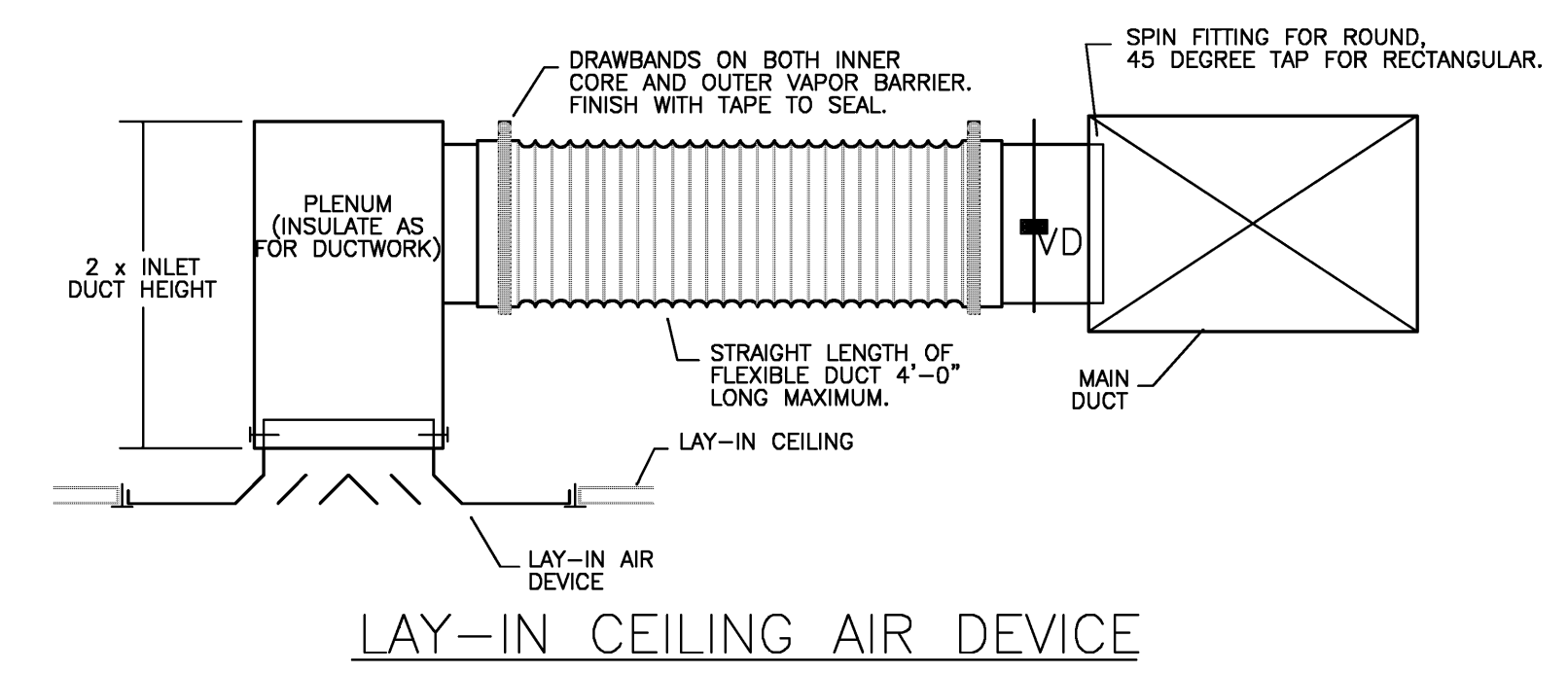
DUCT TAKE-OFF DETAILS
NO SCALE REF: **M2**



LAY-IN AIR DEVICE UNDER DUCT



ROUND-NECK DIFFUSER CONNECTION



LAY-IN CEILING AIR DEVICE

CEILING DIFFUSER CONNECTIONS
NO SCALE REF: **M1**

Mark	Date	Description
07/01/08		ISSUED FOR PERMIT
06/26/08		100% REVIEW SET
06/17/08		50% REVIEW SET

Issue Dates
Drawing Status

Drawing Title
MECHANICAL DETAILS
PA / PE: CG Drawn By: DBR
Drawing Number

M30.2