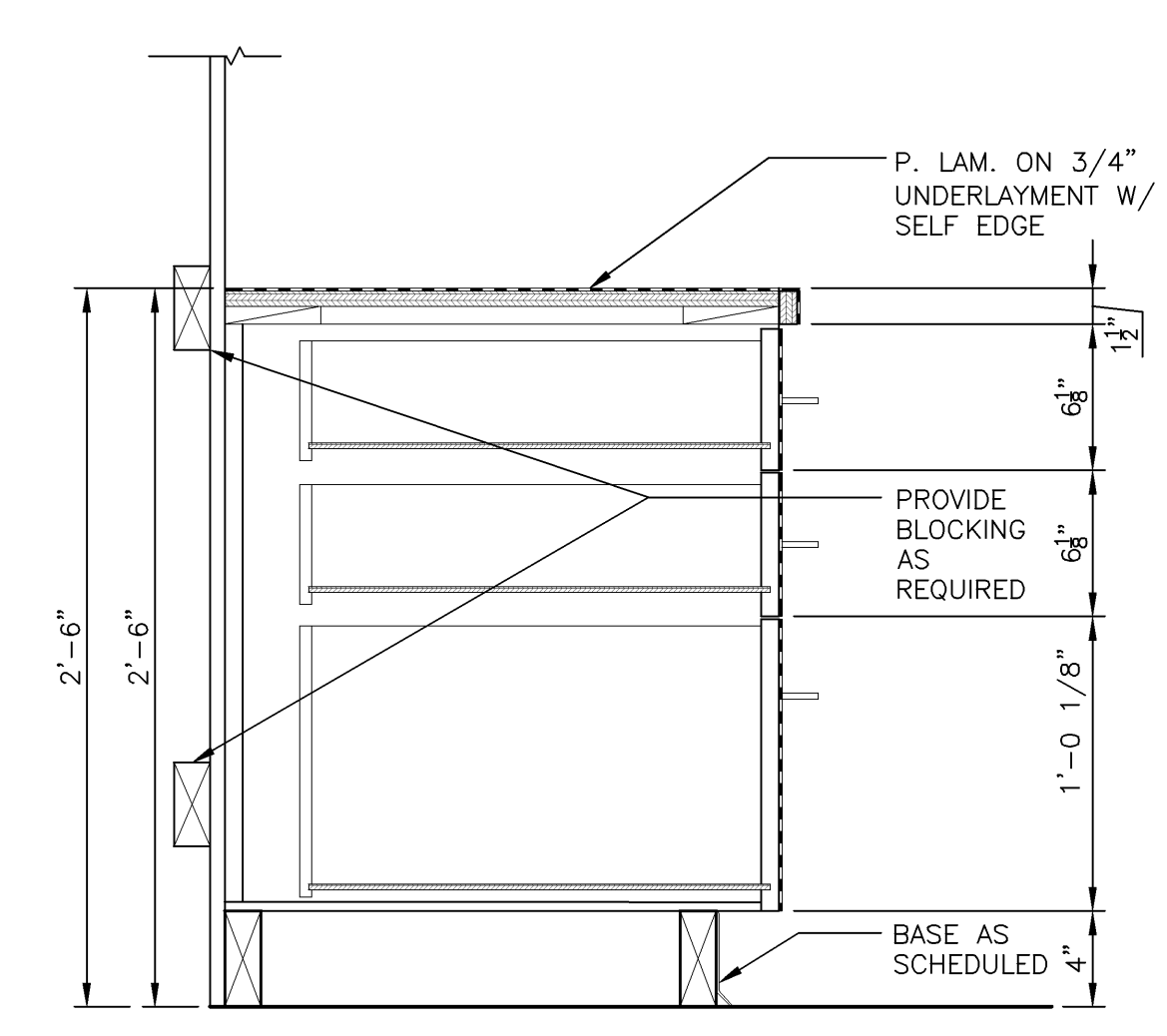
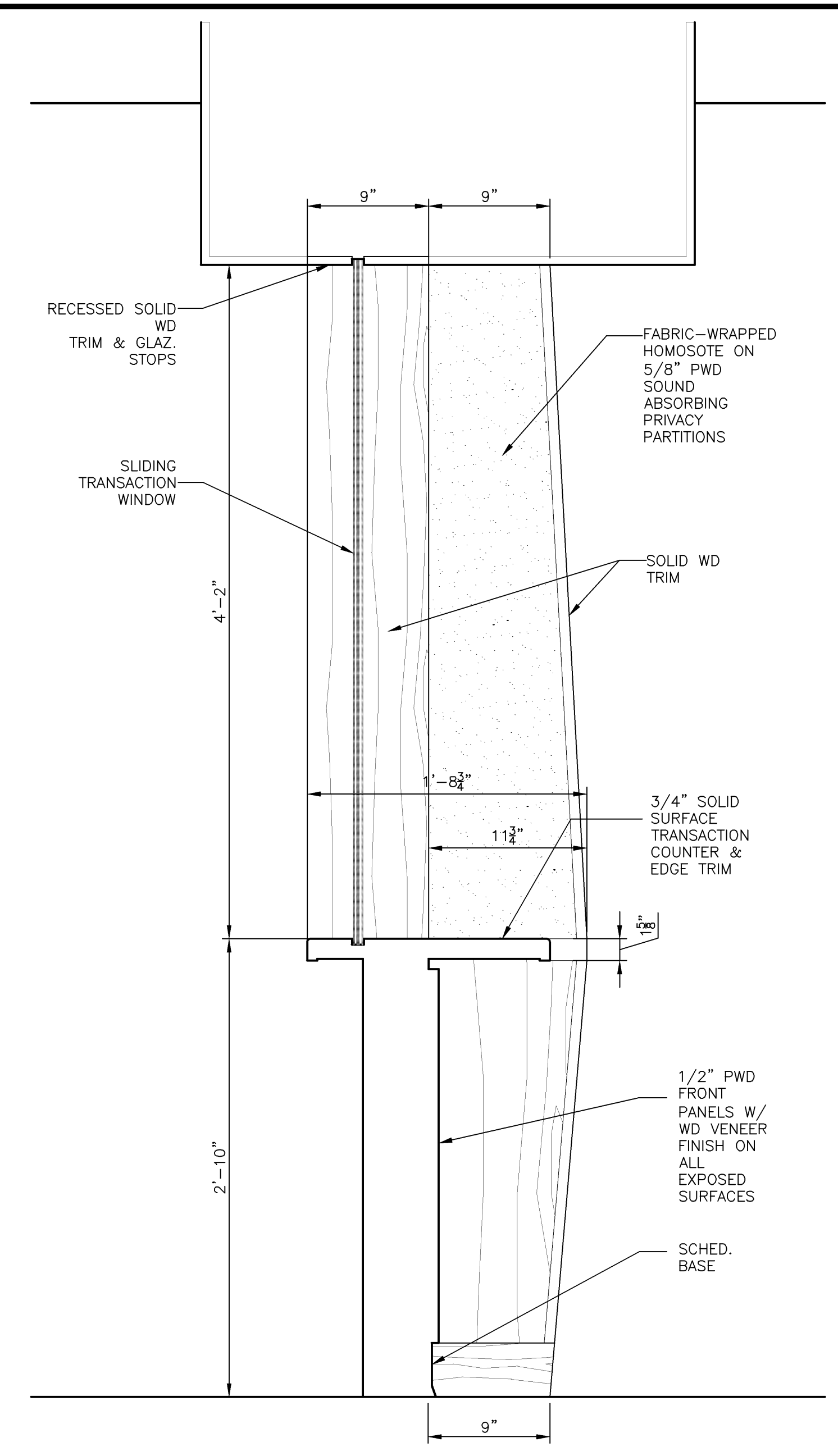


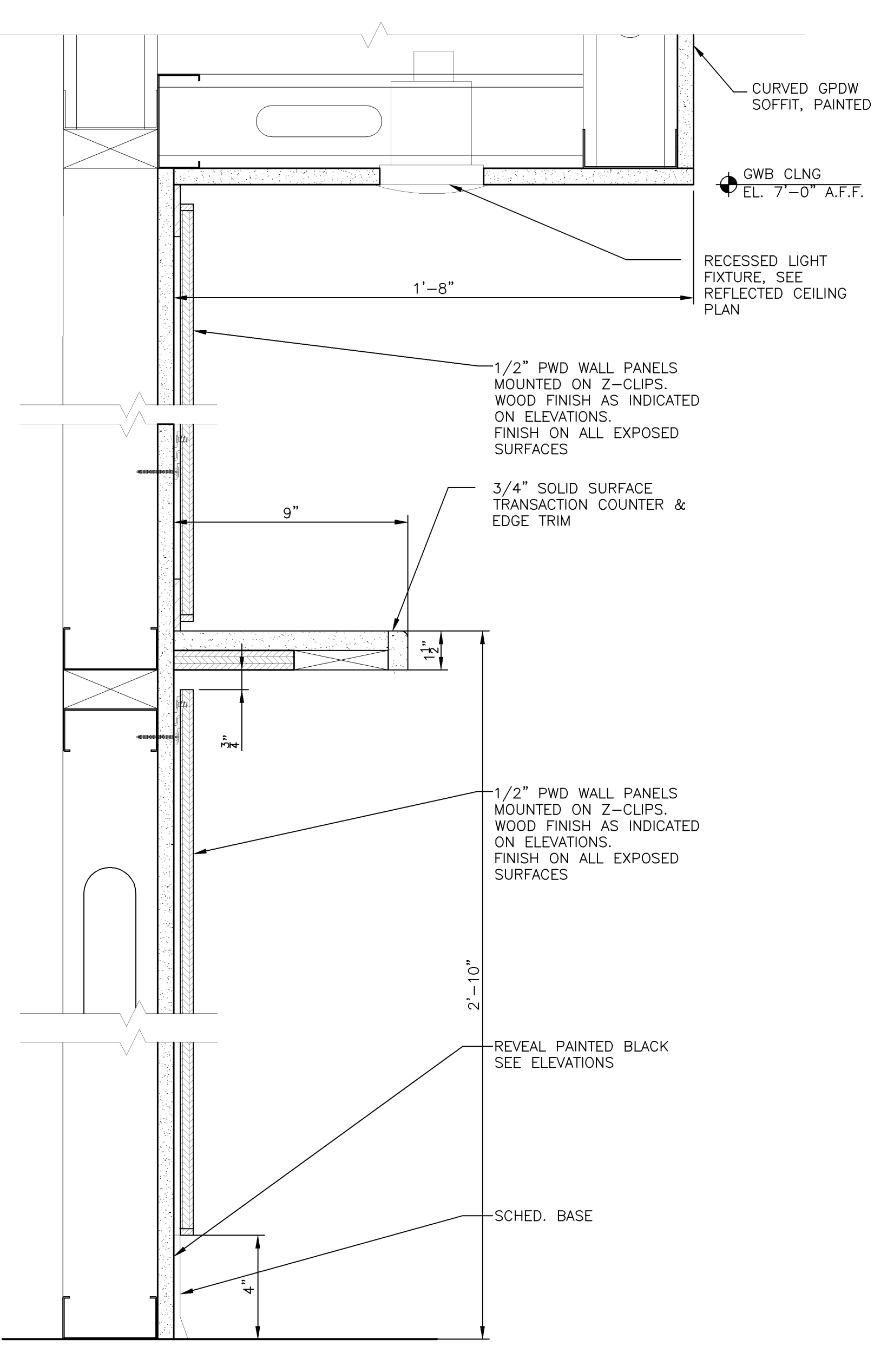
**PLAN @ RECEPTION DESK**  
 1/2" = 1'-0" REF: -- **B3**



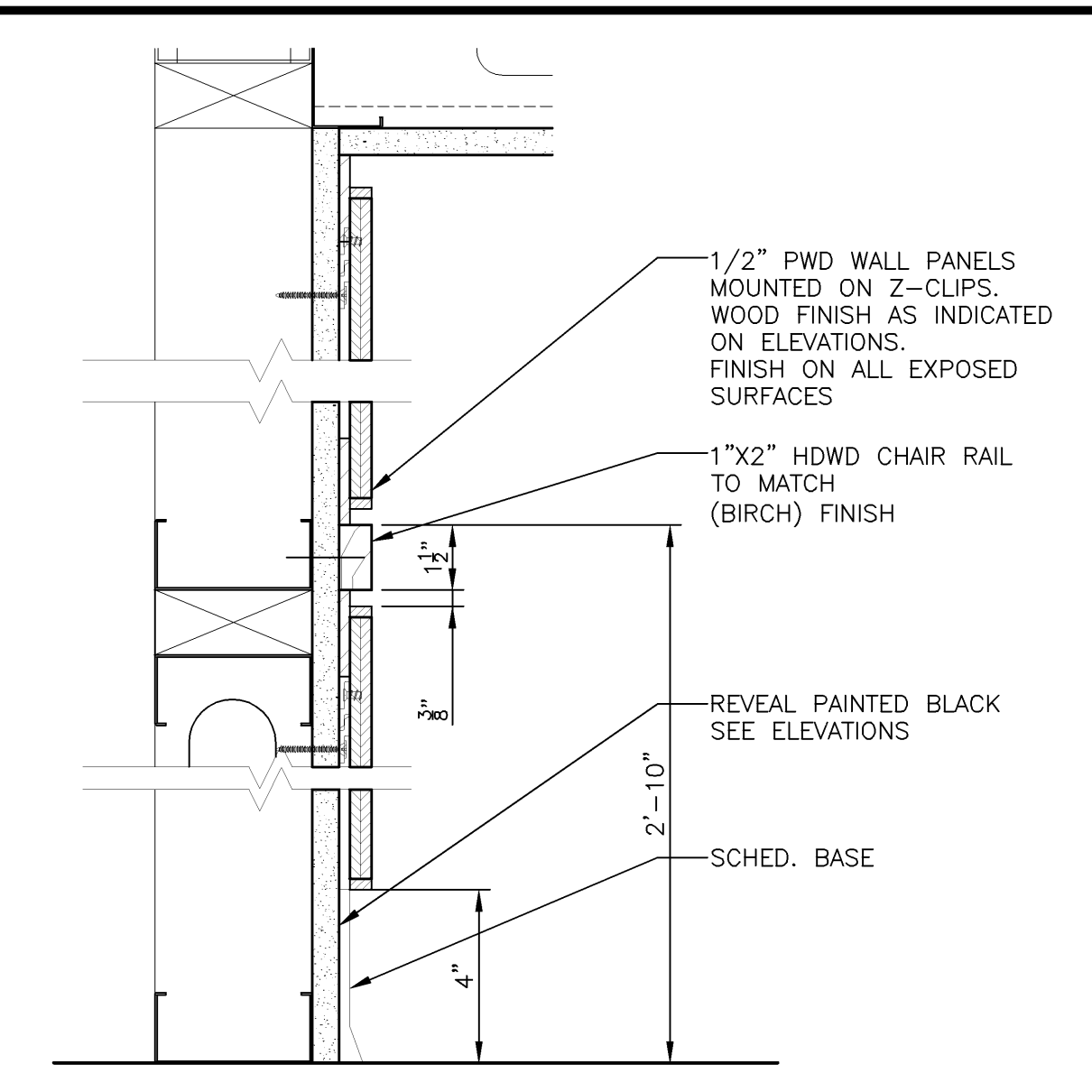
**MILLWORK DETAIL**  
 1 1/2" = 1'-0" REF: NA **A3**



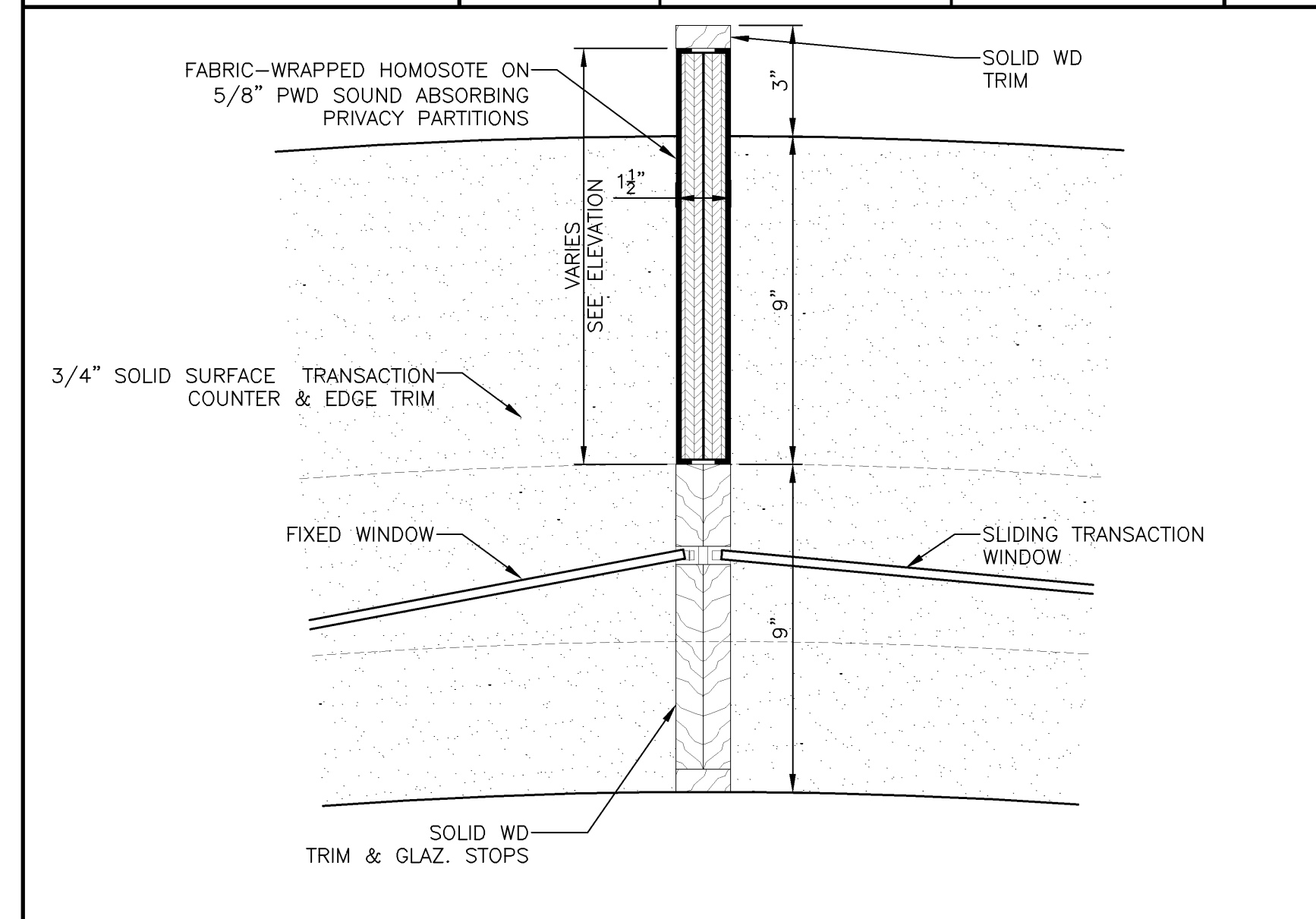
**TYP. ELEVATION - PRIVACY PARTITION**  
 1 1/2" = 1'-0" REF: NA **C2**



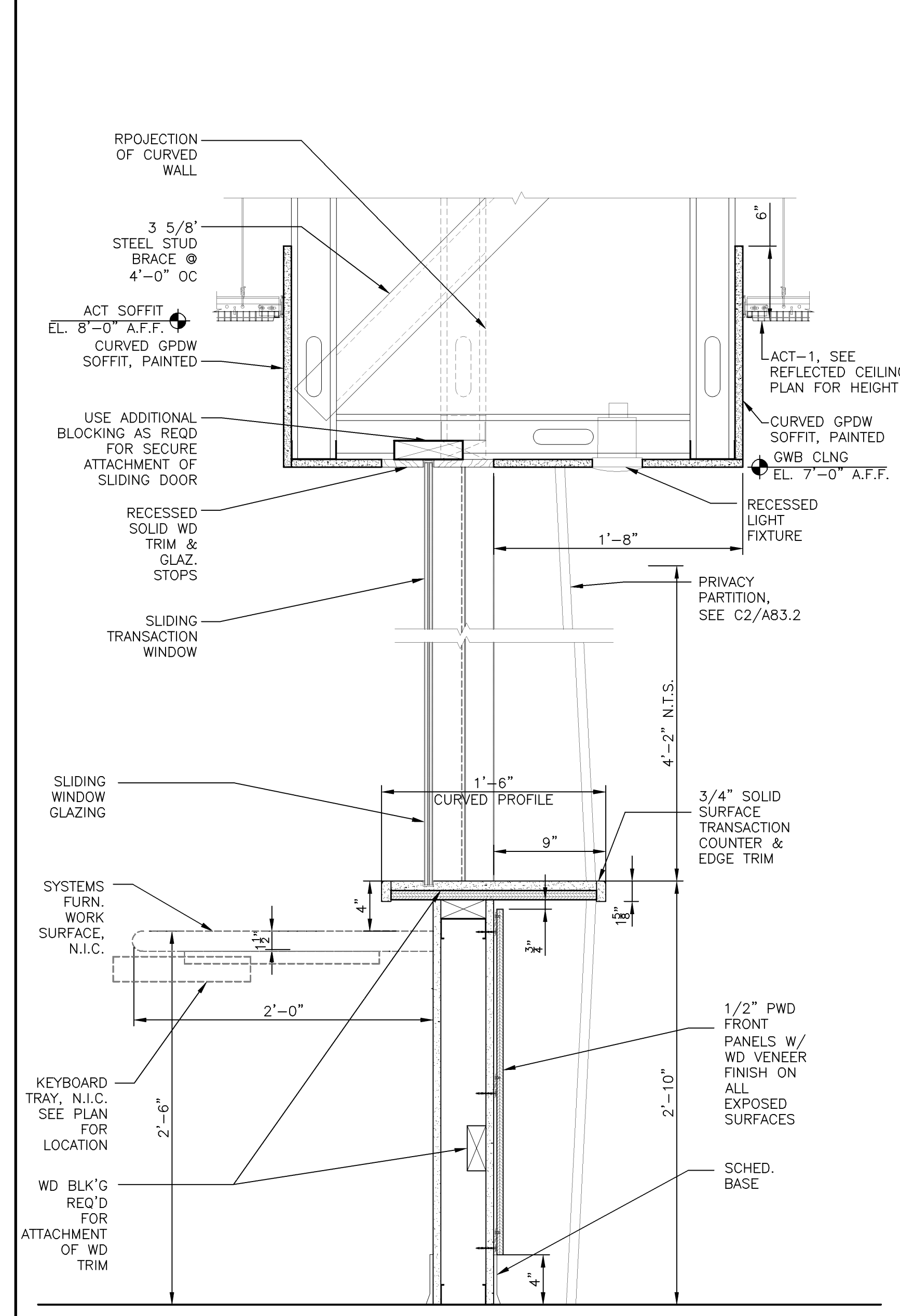
**TYP. DETAIL - WALL PANELS**  
 3/4" = 1'-0" REF: A4/A81.1 **A2**



**TYP. DETAIL - CHAIR RAIL**  
 3" = 1'-0" REF: B3/A83.2 **D1**



**TYP. DETAIL - PRIVACY PARTITION**  
 3" = 1'-0" REF: B3/A83.2 **C1**



**DETAIL @ RECEPTION**  
 1 1/2" = 1'-0" REF: NA **A1**

NOTE: SEE REFLECTED CEILING PLANS FOR ALL CEILING AND SOFFIT HEIGHTS

Mark	Date	Description
07/01/08	ISSUED FOR PERMIT	
06/26/08	100% REVIEW SET	
06/17/08	50% REVIEW SET	
Issue Dates		

Drawing Status