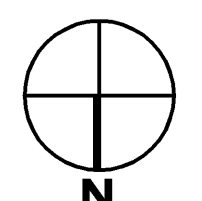
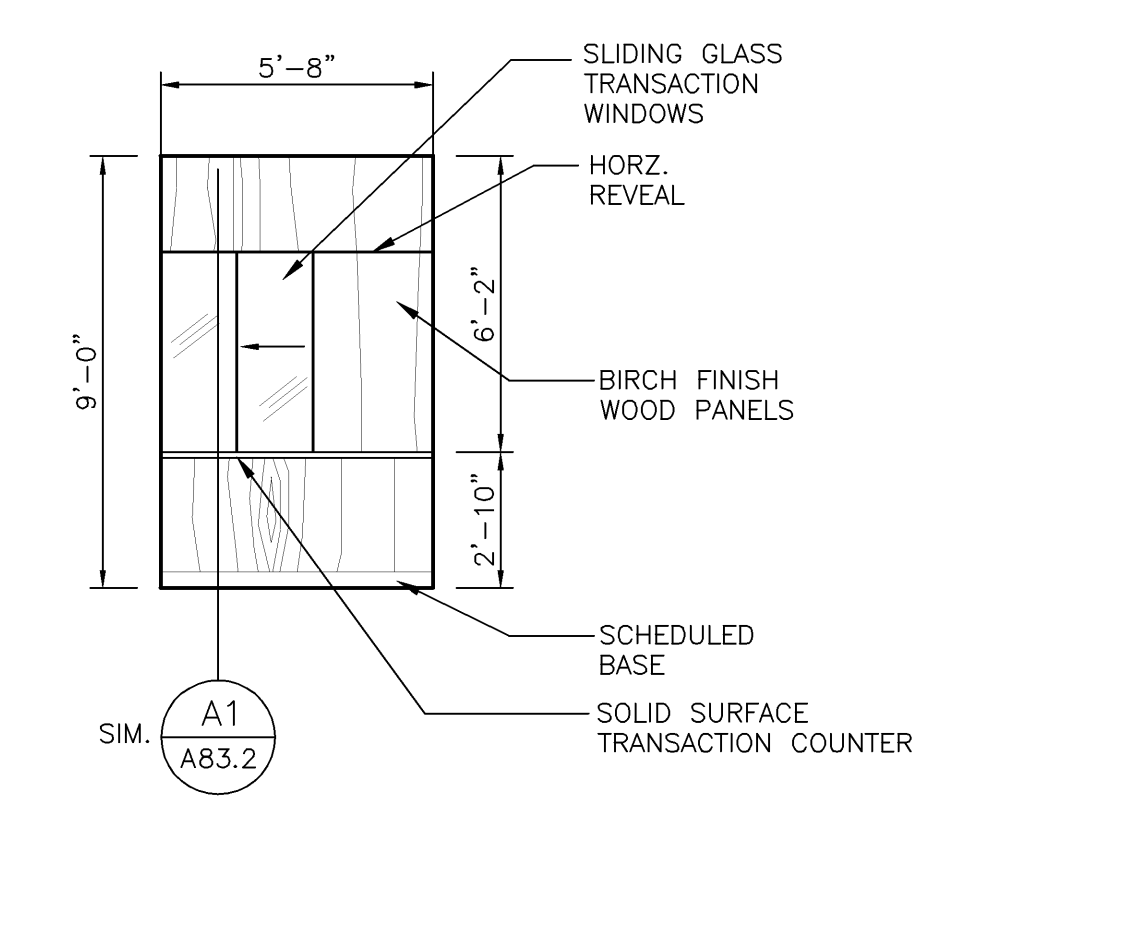
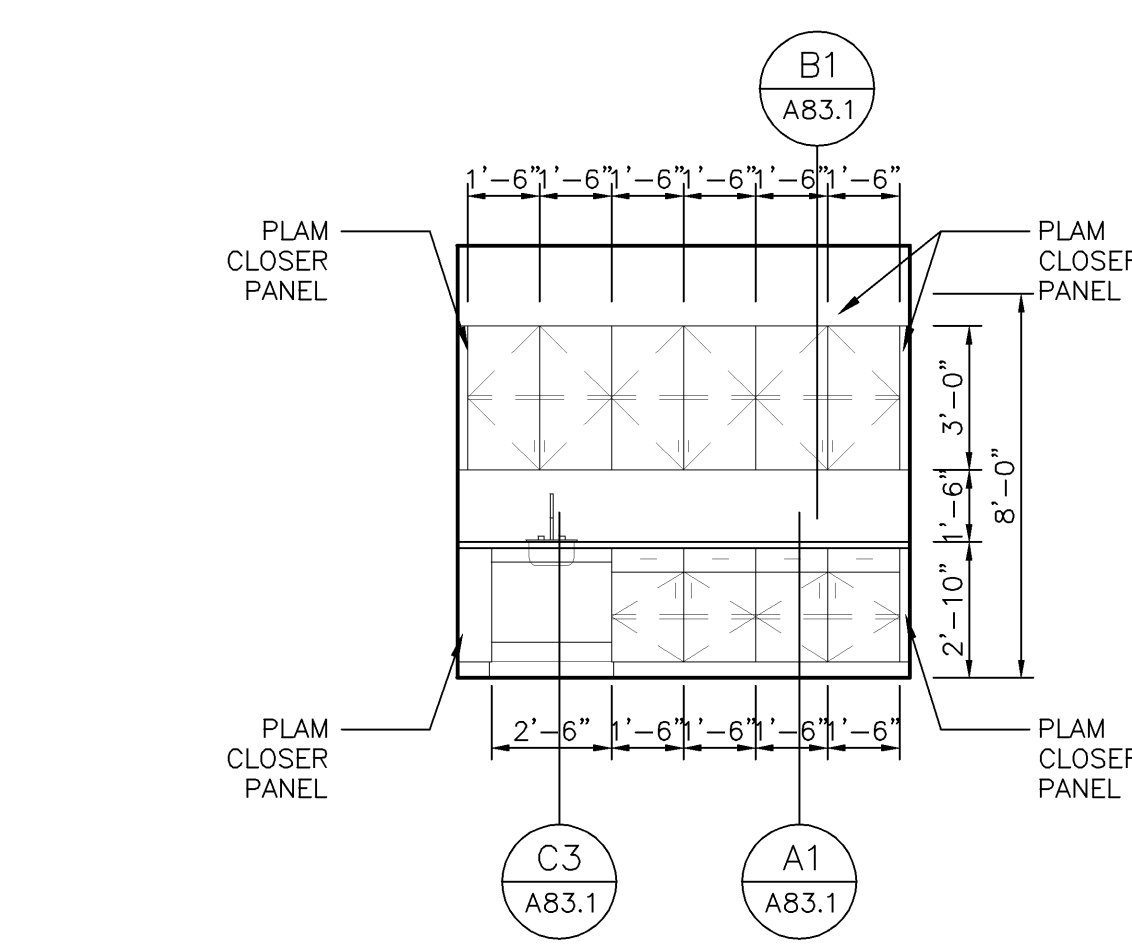


Project Title
**MERCY HEALTH CENTER
WESTGATE PLAZA**
PORTLAND, MAINE

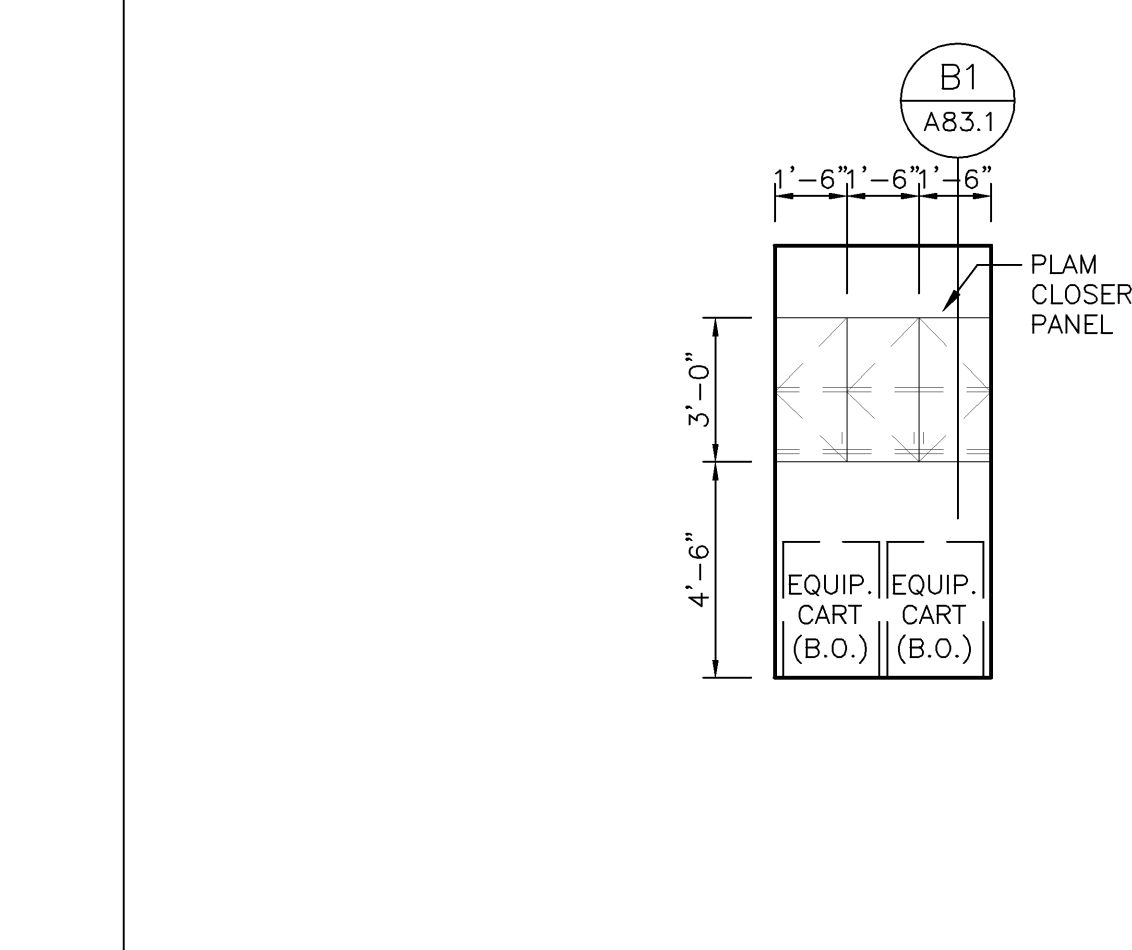
HA Project No. **07182**
Key Plan

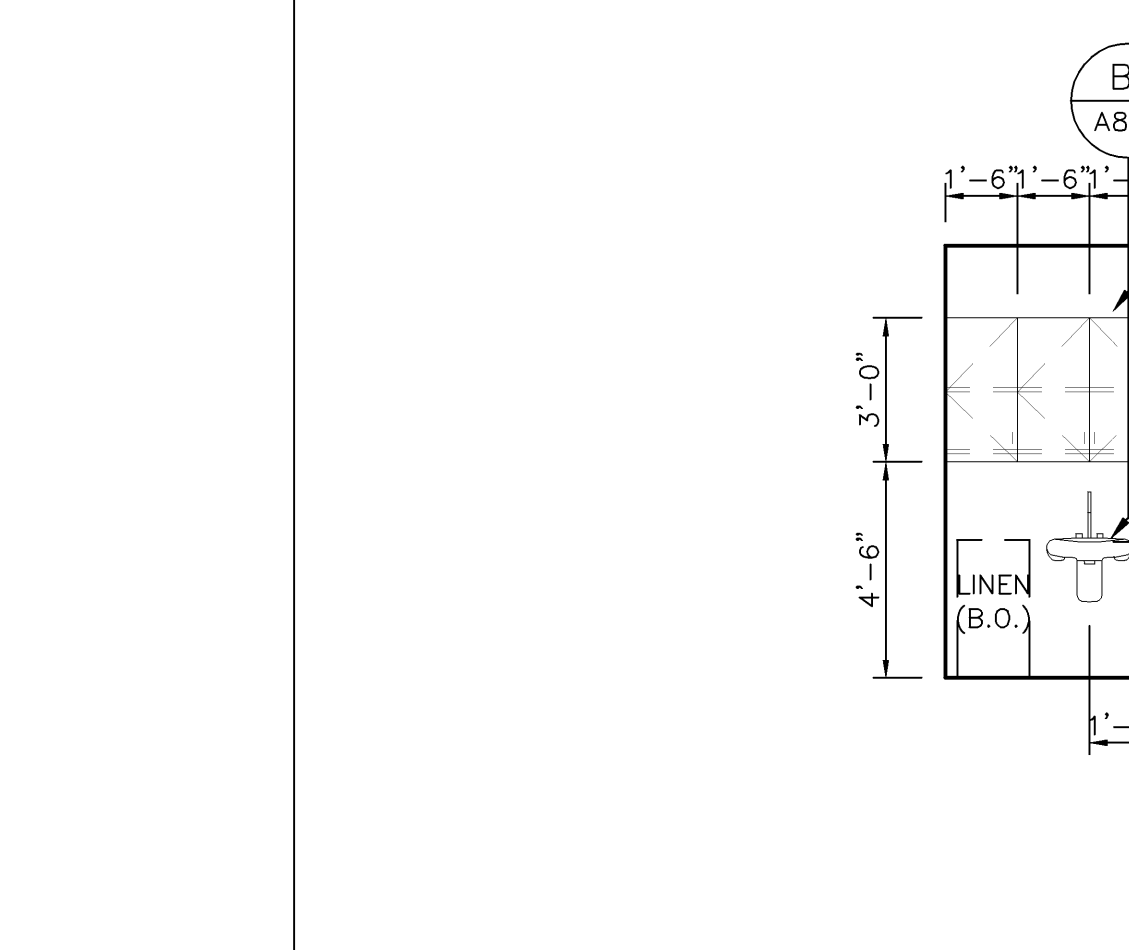
CHECK IN/WAITING
1/4" = 1'-0" REF: **C4**



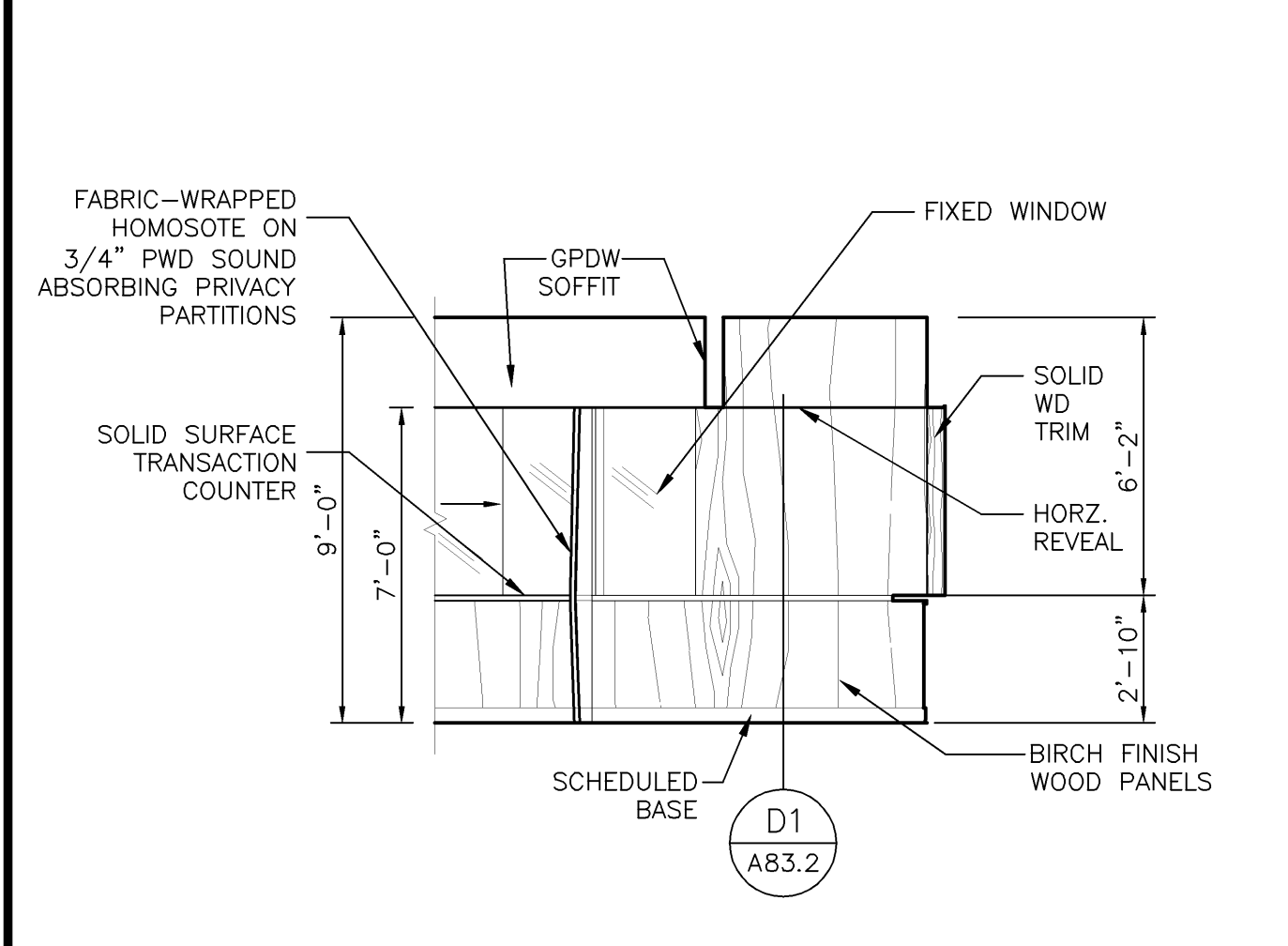
TREATMENT/O.T. ROOM 139
1/4" = 1'-0" REF: **C3**



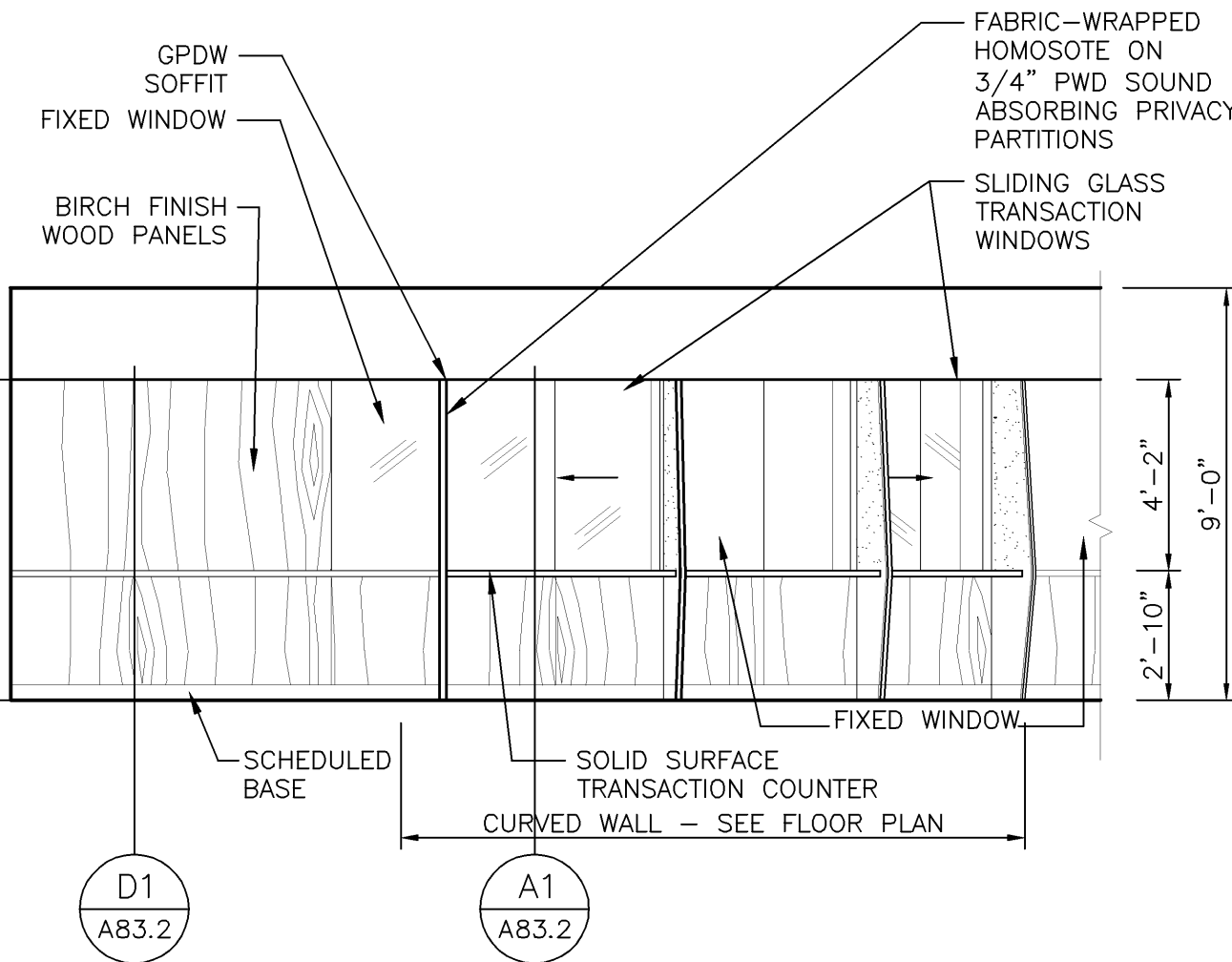
TYPICAL EQUIPMENT STORAGE
1/4" = 1'-0" REF: **C2**



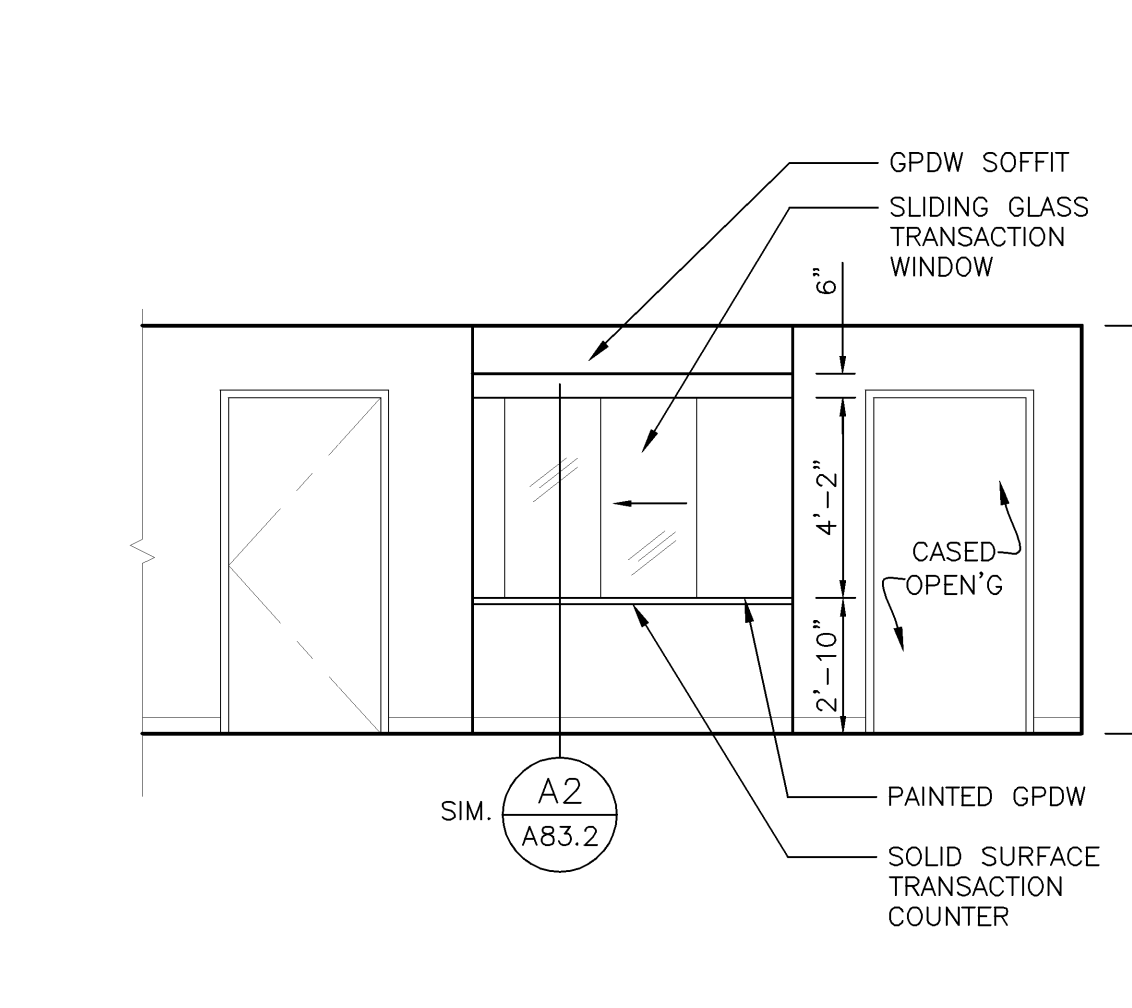
TYPICAL HANDWASH STATION
1/4" = 1'-0" REF: **C1**



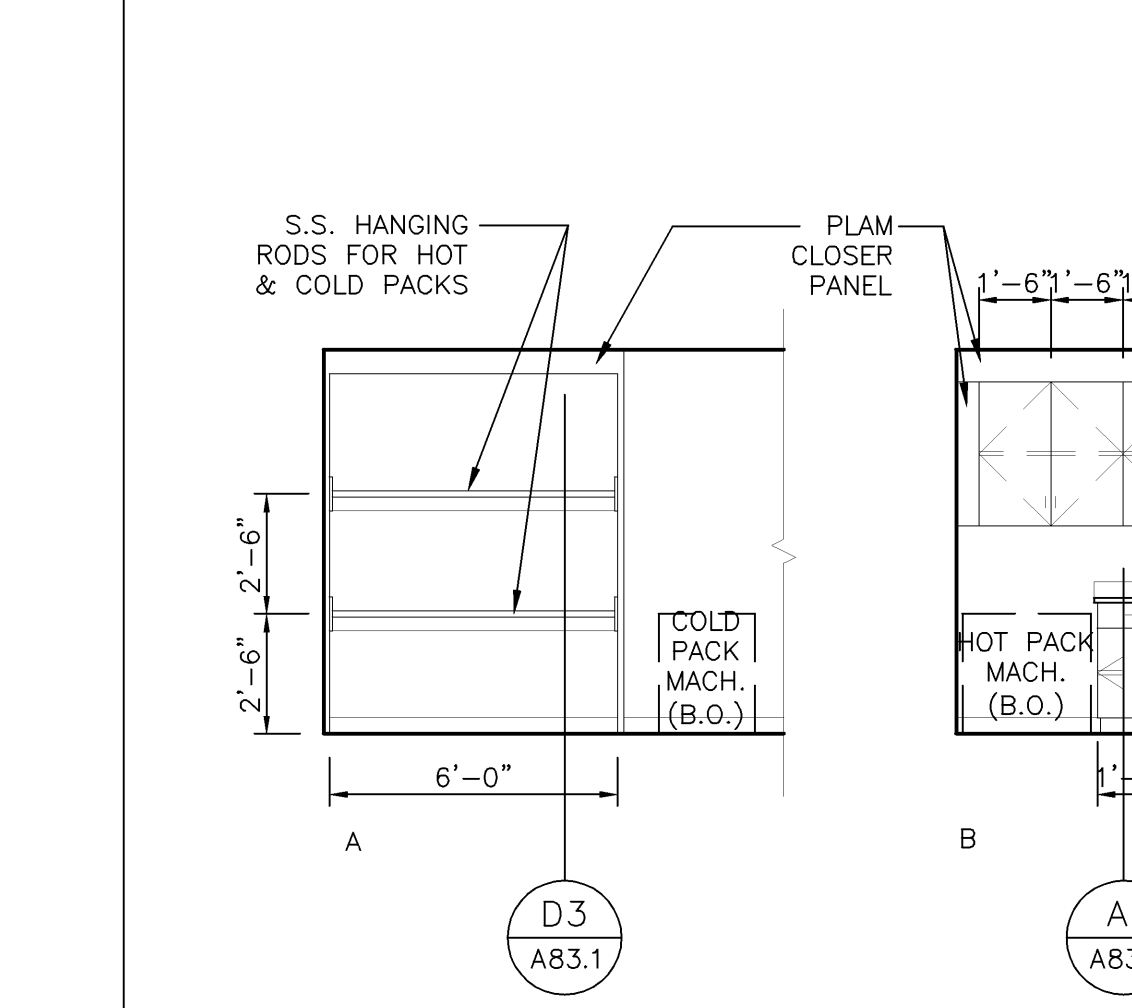
CHECK IN/WAITING
1/4" = 1'-0" REF: **B5**



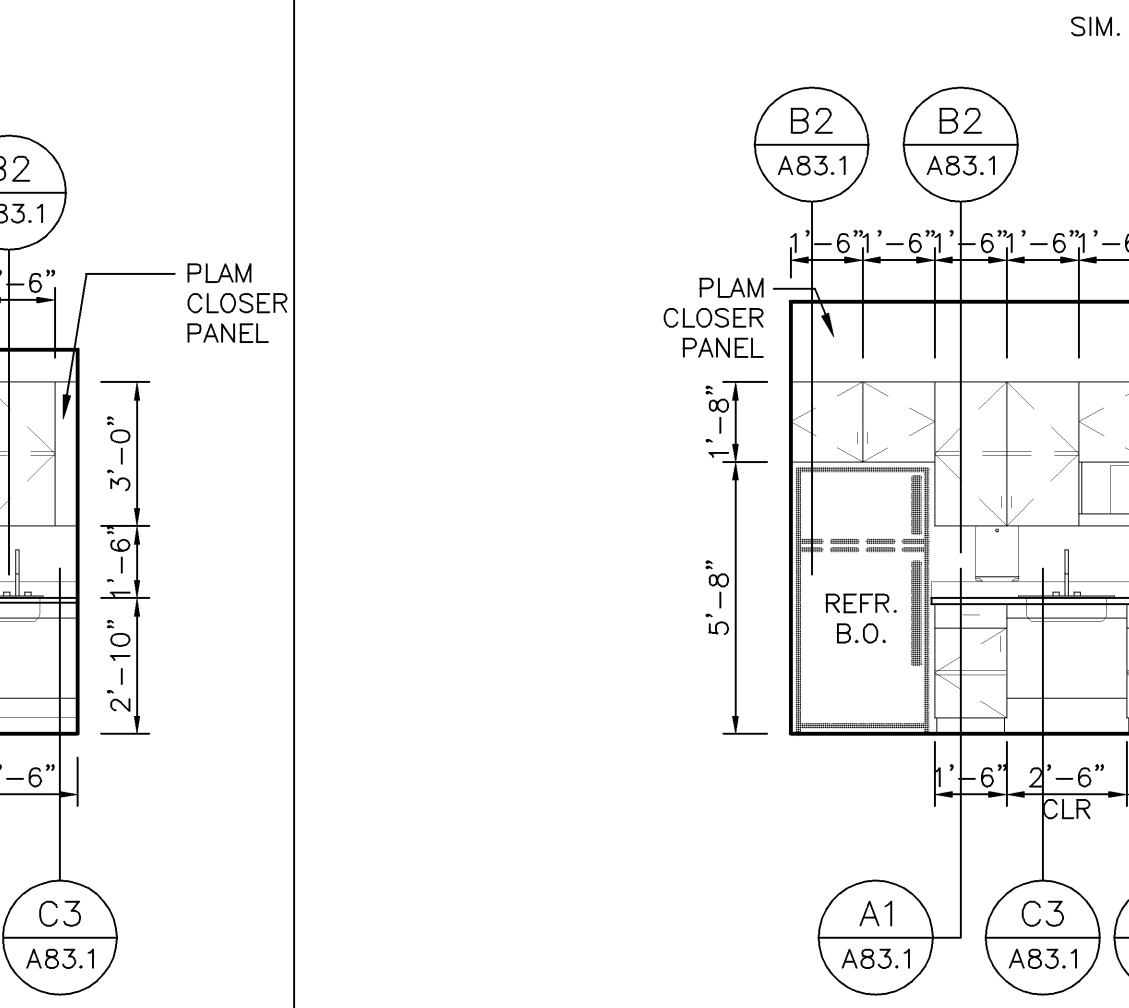
CHECK IN/WAITING
1/4" = 1'-0" REF: **B4**



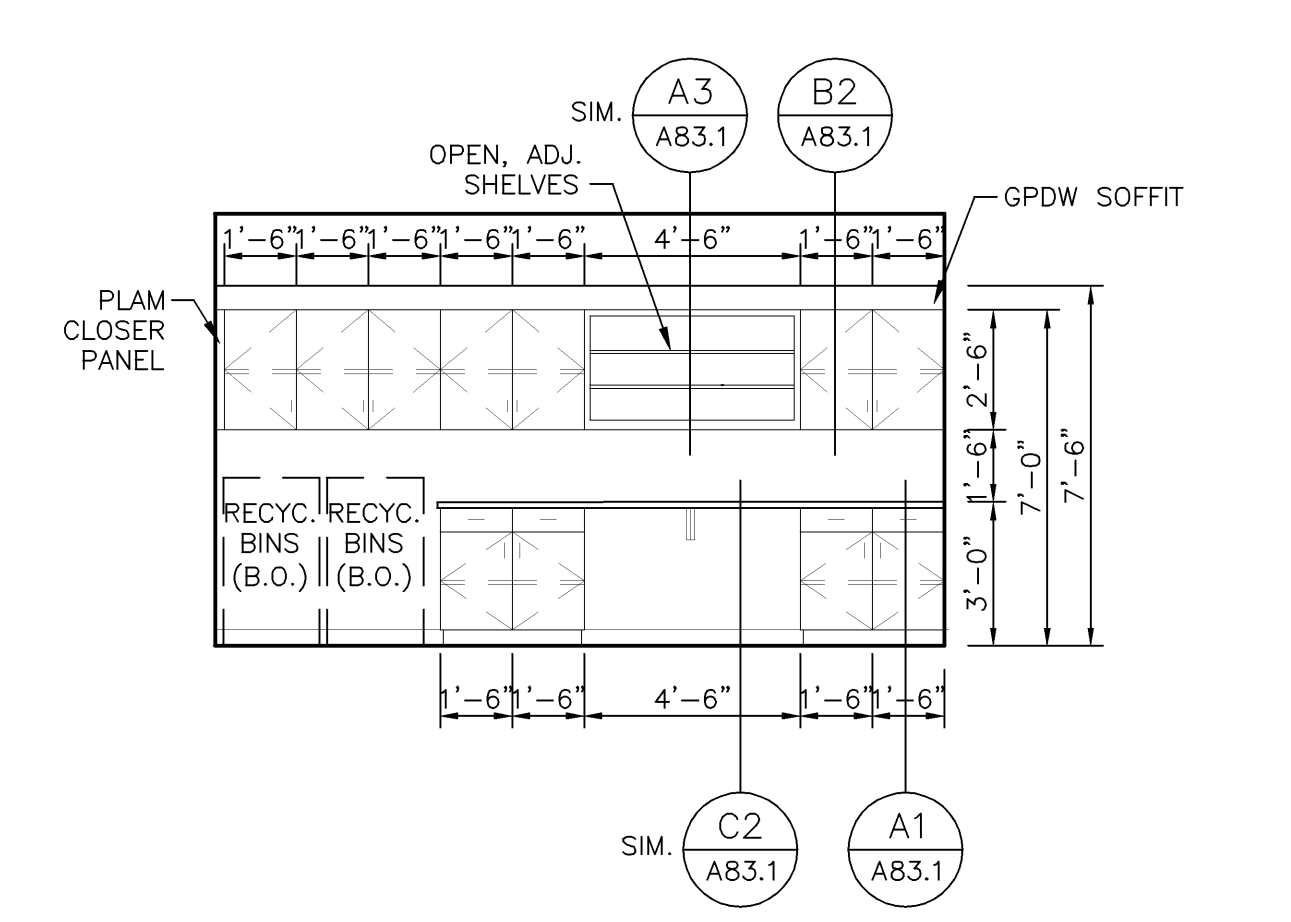
DR. HULL CHECK OUT
1/4" = 1'-0" REF: **B3**



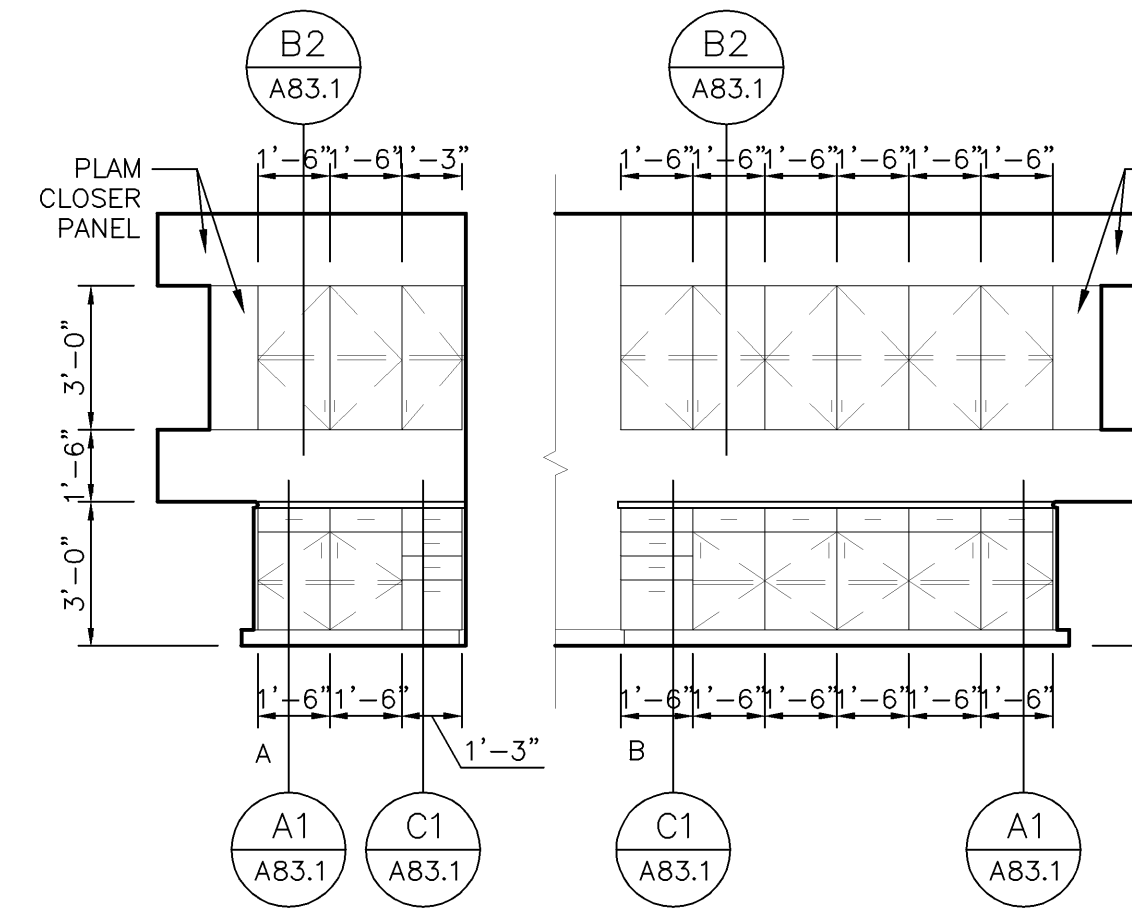
HOT/COLD PACK PREP
1/4" = 1'-0" REF: **B2**



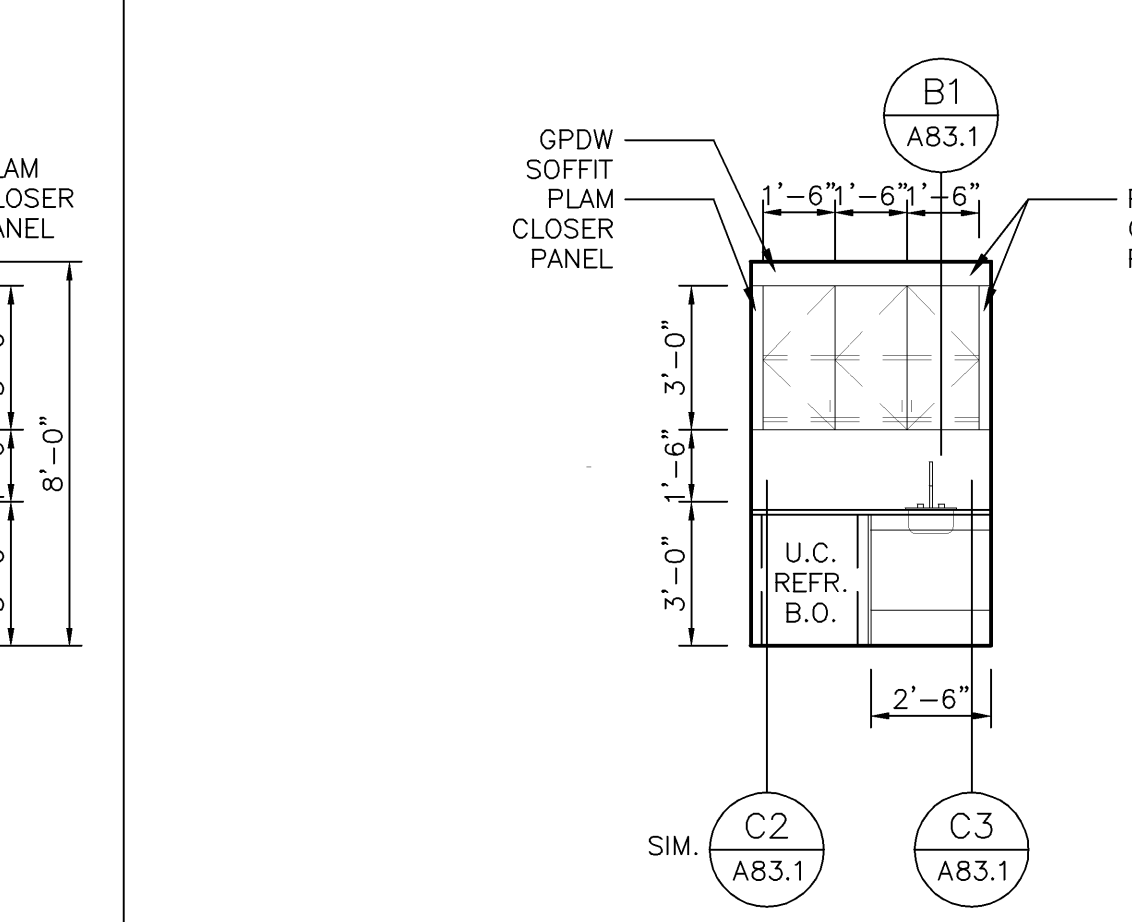
STAFF LOUNGE
1/4" = 1'-0" REF: **B1**



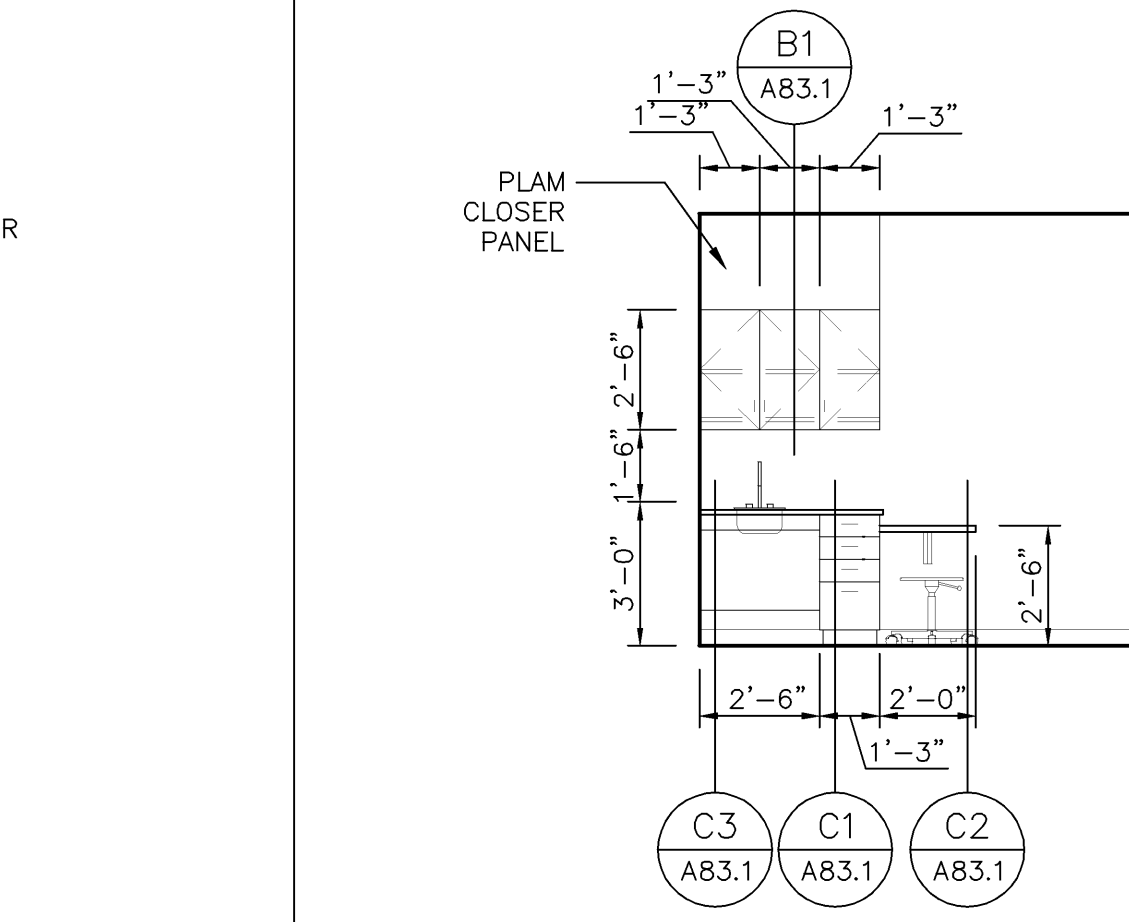
RECEPTION/BUSINESS OFFICE 117
1/4" = 1'-0" REF: **A4**



RECEPTION/BUSINESS OFFICE 117
1/4" = 1'-0" REF: **A3**



DR. HULL - SOIL UTILITY
1/4" = 1'-0" REF: **A2**



DR. HULL - TYPICAL EXAM ROOM
1/4" = 1'-0" REF: **A1**

Mark	Date	Description
07/01/08	ISSUED FOR PERMIT	
06/26/08	100% REVIEW SET	
06/17/08	50% REVIEW SET	
Issue Dates		

Drawing Status