

Project Title  
**MERCY HEALTH CENTER  
WESTGATE PLAZA**  
PORTLAND, MAINE

HA Project No. **07182**



SYMBOLS USED AS ABBREVIATIONS

L ---- ANGLE  
E ---- CENTER LINE  
P ---- PLATE  
Ø ---- DIAMETER  
C ---- CHANNEL  
□ ---- SQUARE

ABBREVIATIONS

ABT ABOVE  
ACB ABOVE CEILING BELOW  
AFF ABOVE FINISH FLOOR  
AFG ABOVE FINISH GRADE  
AD ACCESS DOOR  
AP ACCESS PANEL  
AC ACOUSTICAL  
AL ACOUSTICAL LINING  
ACT ACOUSTICAL TILE  
ADJ ADJUSTABLE  
A/C AIR CONDITIONING  
ALT ALTERNATE  
AL ALUMINUM  
AB ANCHOR BOLT  
APX APPROXIMATE  
ARCH ARCHITECT (URAL)

BDD BACKDRAFT DAMPER  
BU BAR JOIST  
BSMT BASEMENT  
BSP BASE PLATE  
BP BEARING PLATE  
BM BENCH MARK  
BIT BITUMINOUS  
BLCK BLOCKING  
BD BOARD  
BOT BOTTOM  
BOF BOTTOM OF FOOTING  
B/W BOTTOM OF WALL  
BTU BRITISH THERMAL UNIT  
BLDG BUILDING

CAB CABINET  
CUH CABINET UNIT HEATER  
CPT CARPET (ED)  
CI CAST IRON  
CB CATCHBASIN  
CD CEILING  
CG CEILING DIFFUSER  
CGR CEILING GRILLE  
CHT CEILING HEIGHT  
CEM CEMENT (TILOS)  
CM CENTIMETER (S)  
CER CERAMIC  
CHBD CERAMIC TILE  
CHWS CHILLED WATER SUPPLY  
CO CLEANOUT  
CL CLOSET  
CW COLD WATER  
COL COLUMN  
CONC CONCRETE  
CMU CONCRETE MASONRY UNIT  
CR CONDENSATE RETURN  
CONN CONNECT  
CONST CONSTRUCTION  
CONT CONTINUE (OUS)  
CONTR CONTRACT (OR)  
CJT CONTROL JOINT  
CV CONNECTOR  
CORR CORRUGATED  
CMP CORRUGATED METAL PIPE  
CFM CUBIC FEET PER MIN.  
CF CUBIC FEET  
CY CUBIC YARD  
CULV CULVERT

DL DEAD LOAD  
DMT DEMOUNTABLE  
DTL DETAIL  
DIA DIAGONAL  
DIA DIAMETER  
DIM DIMENSION  
DIV DIVISION  
DG DOOR GRILLE  
DH DOUBLE HUNG  
DR DOUGLAS FIR  
DN DOWN  
DWG DRAWING  
DF DRINKING FOUNTAIN  
DW DUCT WRAP

ES EACH SIDE  
EIFS EXTERIOR INSULATED FINISH SYSTEM  
ELEC ELECTRIC (AL)  
EM ELECTRIC MANHOLE  
EP ELECTRIC PANEL  
EWC ELECTRIC WATER COOLER  
ELEV ELEVATION (S)  
EQ EQUAL  
EST ESTIMATE  
EXH EXHAUST FAN  
ER EXHAUST REGISTER  
EX EXISTING  
EB EXPANSION BOLT  
EXP EXPANSION  
EJ EXPANSION JOINT  
EXT EXTERIOR

FOC FACE OF CONCRETE  
FOS FACE OF STUD  
FN FINISH (ED)  
FL FINISH LENGTH  
FA FIRE ALARM  
FD FIRE DAMPER  
FE FIRE EXTINGUISHER  
FHS FIRE HOSE STATION  
FLG FLASHING  
FC FLEXIBLE CONNECTION  
FLR FLOOR (ING)  
FCO FLOOR CLEANOUT  
FD FLOOR DRAIN  
FRR FLOOR RETURN REGISTER  
FTG FOOTING  
FD FOUNDATION DRAIN  
FAI FRESH AIR INTAKE  
FY MINIMUM YIELD STRESS (KSI)

GA GAGE, GAUGE  
GPM GALLONS PER MINUTE  
GALV GALVANIZED  
GV GATE VALVE  
GC GENERAL CONTRACT (OR)  
GL GLASS  
GB GRAB BAR  
GPDW GYPSUM DRY WALL

H HARDENER  
HTG HEATING  
HVAC HEATING-VENTILATING-AIR CONDITIONING  
HT HEIGHT  
HPS HIGH PRESSURE STEAM  
HM HOLLOW METAL  
HORIZ HORIZONTAL  
HB HOSE BIBB  
HD HUB DRAIN  
HTW HOT TEMPERATURE WATER  
HW HOT WATER  
HYD HYDRANT

ID INSIDE DIAMETER  
INS INSULATE (D) (ION)  
INT INTERIOR  
INV INVERT  
IPS IRON PIPE SIZE

JC JANITOR'S CLOSET  
JT JOINT

K KIPS  
KSI KIPS PER SQUARE INCH  
KIT

LAB LABORATORY  
LAM LAMINATE (D)  
LAW (L) LAWYER  
LF LAWN FAUCET  
LTG LIGHTING  
LD LINEAR DIFFUSER  
LD LINED DUCT  
LF LINEAL FEET  
LTL LINTEL  
LL LIVE LOAD  
LNG LONG  
LPS LOW PRESSURE STEAM  
LW LOW TEMPERATURE STEAM  
LB (S) POUNDS

MH MANHOLE  
MD MANUAL DAMPER  
MFR MANUFACTURE (R)  
MAS MASONRY  
MO MASONRY OPENING  
MAX MAXIMUM  
MECH MECHANICAL  
MED MEDIUM  
MET METAL  
MT METAL THRESHOLD  
M METER (S)  
MM MILLIMETER (S)  
MIN MINIMUM  
MISC MISCELLANEOUS  
MR MOTOR RECEPTOR  
MTD MOUNTED  
MD MOTORIZED DAMPER

NS NEAR SIDE  
NC NORMALLY CLOSED  
NO NORMALLY OPEN  
N NORTH  
NA NOT APPLICABLE  
NIC NOT IN CONTRACT  
NTS NOT TO SCALE  
No NUMBER

TkBD TACKBOARD  
TEL TELEPHONE  
TV TELEVISION  
TPTN TOILET PARTITION  
TOC TOP OF CONCRETE  
TOF TOP OF FOOTING  
TOS TOP OF STEEL  
TD TRANSFER DUCT  
TG TRANSFER GRILLE  
TD TRENCH DRAIN  
TYP TYPICAL

UD UNDERDRAIN  
UGD UNDERGROUND DUCTWORK  
UH UNIT HEATER  
UNO UNLESS NOTED OTHERWISE  
UR URINAL  
UV UNIT VENTILATOR

VAV VARIABLE AIR VOLUME  
V VENT  
VTR VENT THRU ROOF  
VERT VERTICAL  
VB VINYL BASE  
VCT VINYL COMPOSITION TILE  
VF VINYL FABRIC  
VD VOLUME DAMPER

WCO WALL CLEANOUT  
WG WALL GRILLE  
WH WALL HUNG  
WR WALL REGISTER  
WC WATER CLOSET  
WCH WATER CLOSET HANDICAP  
WWF WELDED WIRE FABRIC  
GL GLASS  
WIN WINDOW  
W WITH  
WO WITHOUT  
WD WOOD  
WP WORKING POINT

OFF OFFICE  
OC ON CENTER (S)  
CED OPEN END DUCT  
OPG OPENING  
OPP OPPOSITE  
OPH OPPOSITE HAND  
OD OUTSIDE DIAMETER  
OH OVERHEAD

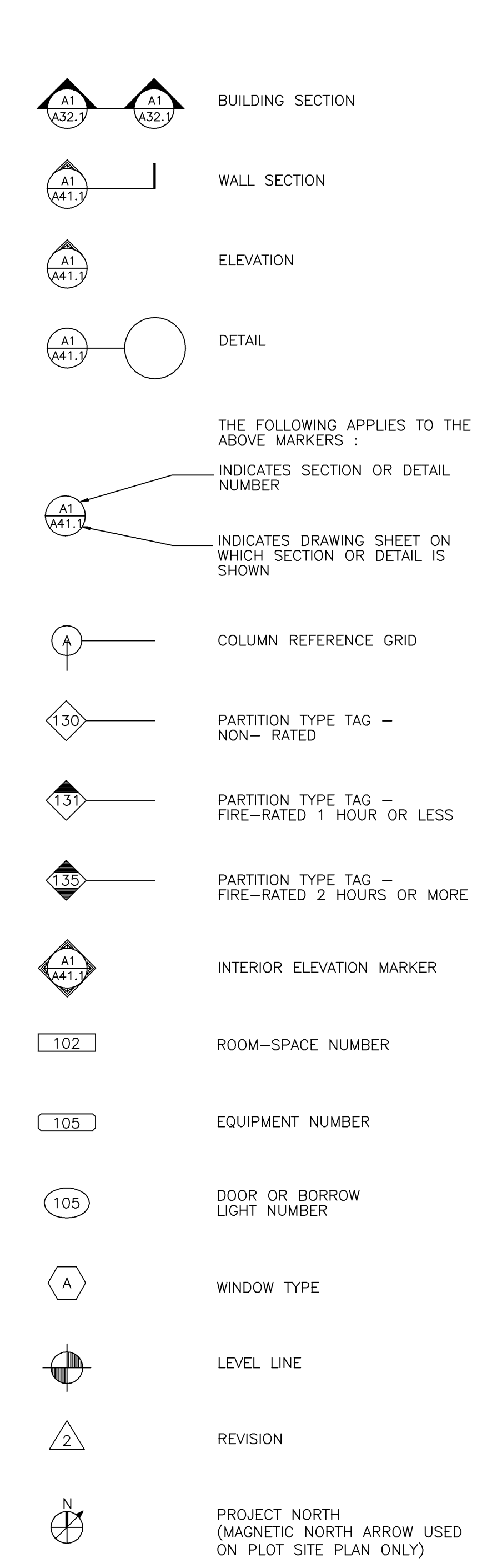
PNT PAINT (ED)  
PNL PANEL  
PAR PARALLEL  
PTN PARTITION  
PLAM PLASTIC LAMINATE  
P PLATE  
PMB PLUMBING  
PND PLYWOOD  
PT POINT  
PP POINT TO POINT  
PWG POLISHED WIRE GLASS  
PVC POLYVINYL CHLORIDE  
PSF POUNDS PER SQUARE FOOT  
PSI POUNDS PER SQUARE INCH  
PPN PREFINISHED  
PL PROPERTY LINE  
P PUMP

QT QUARRY TILE

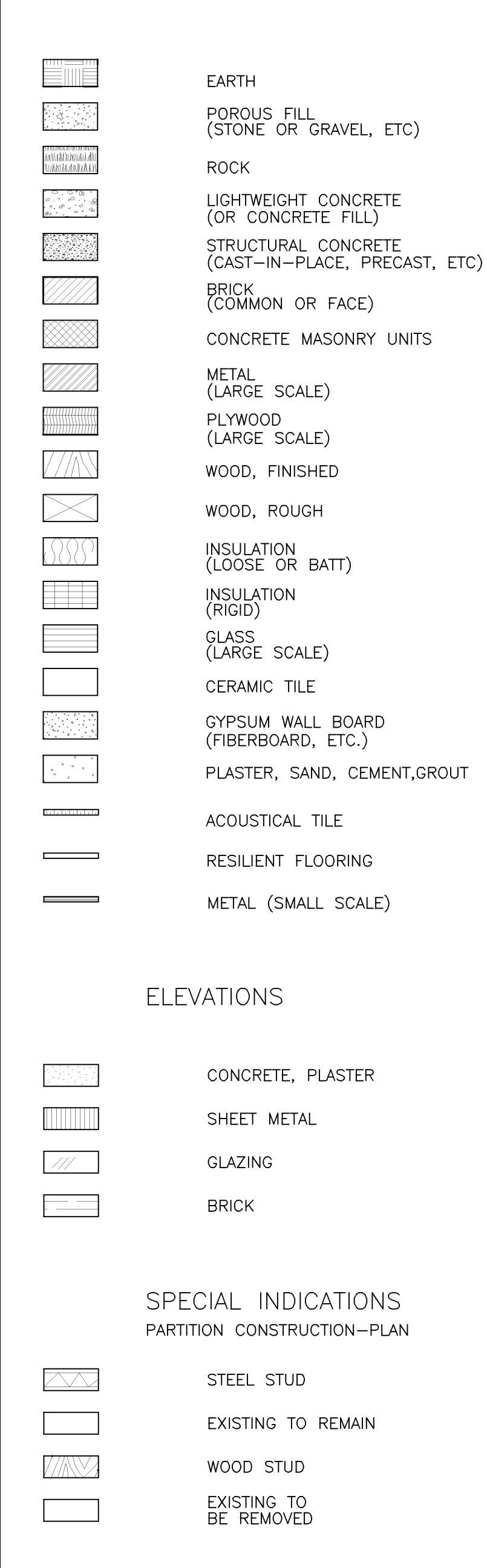
RAD RADIATION  
RAD RADIUS  
REF REFERENCE  
REFR REFRIGERATOR  
RA RETURN AIR  
RG RETURN GRILLE  
RR RETURN REGISTER  
REV REVISION (S)  
ROW RIGHT OF WAY  
R RISER  
RD ROOF DRAIN  
RL ROOF LEADER  
RM ROOM  
RO ROUGH OPENING  
RB RUBBER BASE

S SANITARY  
SEC SECTION  
SSK SERVICE SINK  
SHT SHEET  
SIM SIMILAR  
SK SINK  
SD SMOKE DAMPER  
S SOIL  
SMU SOLID MASONRY UNIT  
S SOUTH  
SPF SPRUCE PINE FIR  
SPEC SPECIFICATION (S)  
SQ SQUARE  
SS STAINLESS STEEL  
STD STANDARD  
S STEAM  
STL STEEL  
SDR STORAGE  
SDR STORM DRAIN  
SDR STORM DRAIN MANHOLE  
SA SUPPLY AIR  
SF SUPPLY FAN  
SG SUPPLY GRILLE  
SR SUPPLY REGISTER  
SYM SYMMETRY (ICAL)  
SYS SYSTEM

PLAN - SECTION



PLAN - SECTION



CONTRACT DRAWINGS ABBREVIATIONS

NO SCALE REF: -

GRAPHIC SYMBOLS LEGEND

NO SCALE REF: -

MATERIALS LEGEND

NO SCALE REF: -

ABBREVIATIONS & LEGENDS

PA / PE: PSC Drawn By: JGJ

Drawing Number

**A00.1**

A3

A2

A1