

Consultant
 CIVIL ENGINEER
 DeLuca-Hoffman Associates, Inc.
 778 Main Street, Suite 8
 South Portland, ME 04106
 Phone: (207) 775-1121
 Fax: (207) 879-0896

Consultant
 ASSOCIATE ARCHITECT/STRUCTURAL ENGINEER
 SMRT
 144 Fore Street P.O. Box 618
 Portland, Maine 04104
 Phone: (207) 772-3846
 Fax: (207) 772-1070

Consultant
 MECHANICAL/ELECTRICAL ENGINEER
 Bord, Rao + Athanas Consulting Engineers, LLC
 The Arsenal on the Chert
 311 Arsenal Street
 Watertown, MA 02472-5789
 Phone: 617.254.0016
 Fax: 617.924.9339

Consultant
 EQUIPMENT PLANNING
 Gene Burton & Associates
 1893 General George Patton Drive
 Franklin, Tennessee 37067
 Phone: (615) 376-3100
 Fax: (615) 376-3114

Consultant
 CONSTRUCTION MANAGER
 Gibbons Building Company
 7 Jackson Walkway
 Providence, Rhode Island 02903
 Phone: (401) 456-5905
 Fax: (401) 456-5516

Consultant
 FOOD SERVICE
 Inman Foodservice, LLC
 1808 West End Ave, Suite 1400
 Nashville, TN 37203
 Phone: (615) 321-5591
 Fax: (615) 321-5689

It is the responsibility of the Construction Manager/General Contractor and all Sub-Contractors to verify all dimensions and accept conditions of prior work by related trades before proceeding with any work.

Date
 11/10/06 Final-Issued for Constructi
 Drawn By

Scale
 NONE

Francis

Cauffman

Foley

Hoffmann

Francis Cauffman
 Foley Hoffmann
 Architects Ltd.

2120 Arch Street
 Philadelphia, PA 19103
 215-568-8250

Project Title

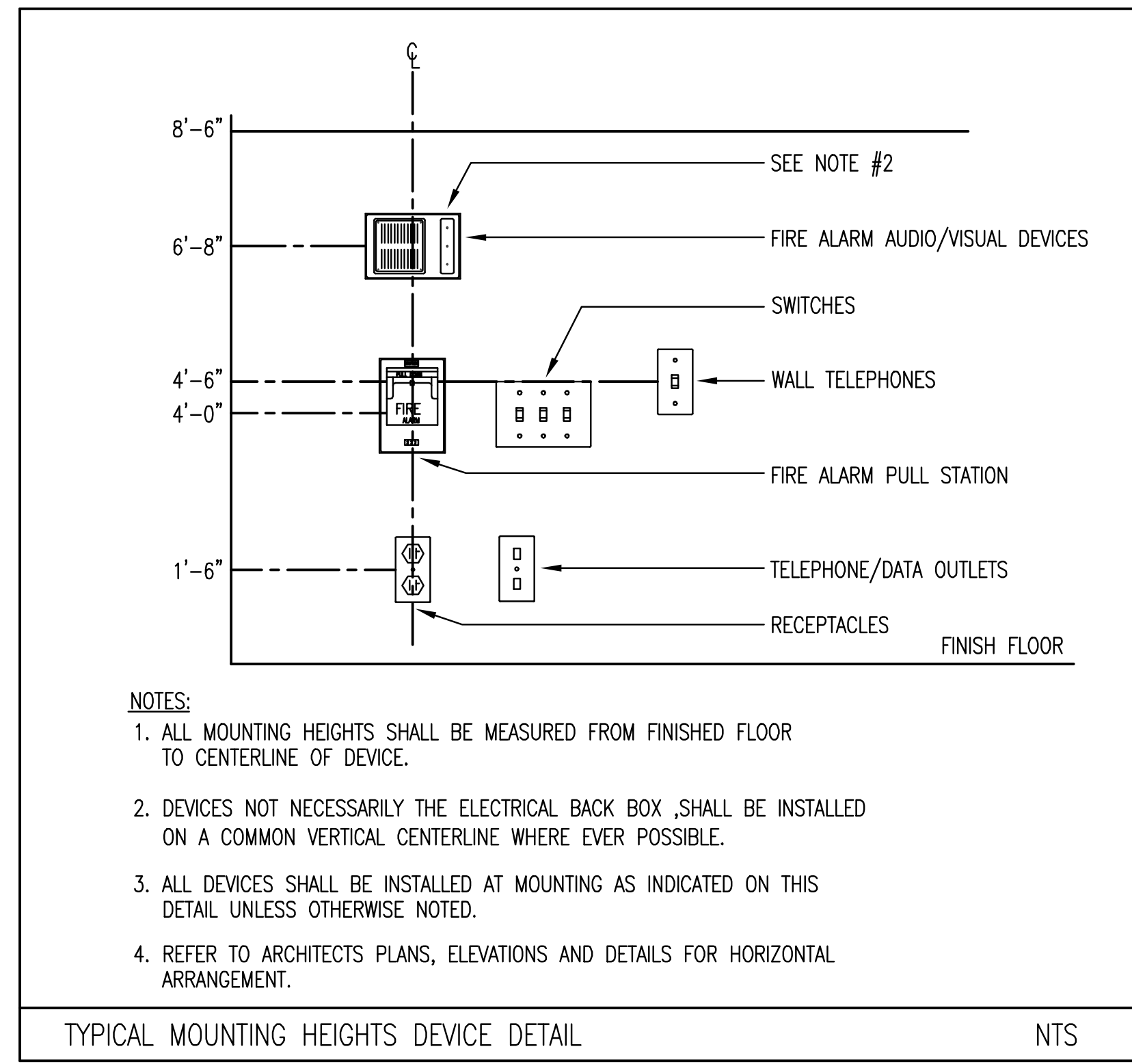
Mercy Health Care
 System of Maine

FORE RIVER SHORT
 STAY HOSPITAL



Project Number
 F05-4898

Drawing Title and Number
 ELECTRICAL
 DETAILS

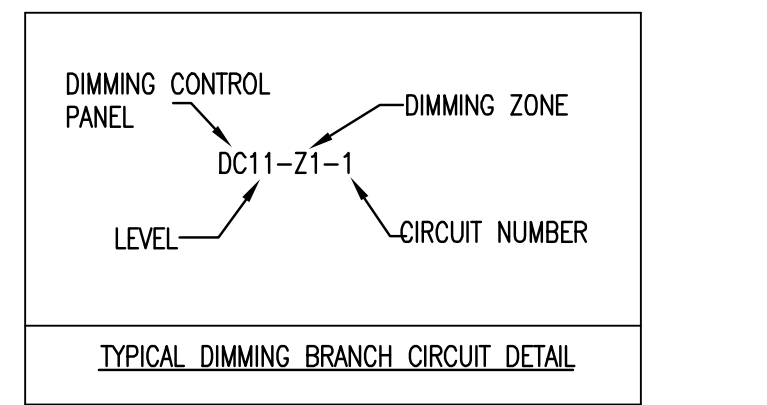


DIMMING SYSTEM, AREA LOAD SCHEDULE "DC11" NORMAL PANEL

ZONE	DESCRIPTION	CKT #	VOLTAGE	FEED TYPE	LOAD TYPE	FIXTURE LOAD	# OF FIXTURES	* LOAD W/VA	NOTES
1	COVE LIGHTING "B4D"	1	120V	N	FLD	144W	2	288W	
2	COVE LTG. / NICHE LTG. "G1A & B2A"	2	120V	N	FLN	32/24W	9	650W	
3	BACK WALL WASHERS	3	120V	N	FLD	50W	5	250W	
4	BACK WALL WASHERS	4	120V	N	FLD	50W	3	150W	
5	ENTRANCE DOWN LIGHTS	5	120V	N	FLD	50W	2	100W	
6	ENTRANCE ADJUSTABLE DOWN LIGHT	6	120V	N	FLD	50W	1	50W	
7	GENERAL DOWN LIGHTS	7	120V	N	FLD	60W	7	420W	
8	ADJUSTABLE ACCENT LIGHTS	8	120V	N	FLD	100W	4	400W	
9	ADJUSTABLE ACCENT LIGHTS	9	120V	N	FLD	200W	2	400W	
10	ADJUSTABLE ACCENT LIGHTS	10	120V	N	FLD	200W	2	400W	
11	ADJUSTABLE ACCENT LIGHTS	12	120V	N	FLD	200W	2	400W	
12	ADJUSTABLE ACCENT LIGHTS	11	120V	N	FLD	200W	2	400W	
13	CHAPEL CROSS BACKLIGHTING	13	120V	N	FLN	32W	16	510W	
14	SPARE	14	120V	N					
15	SPACE								
16	SPACE								

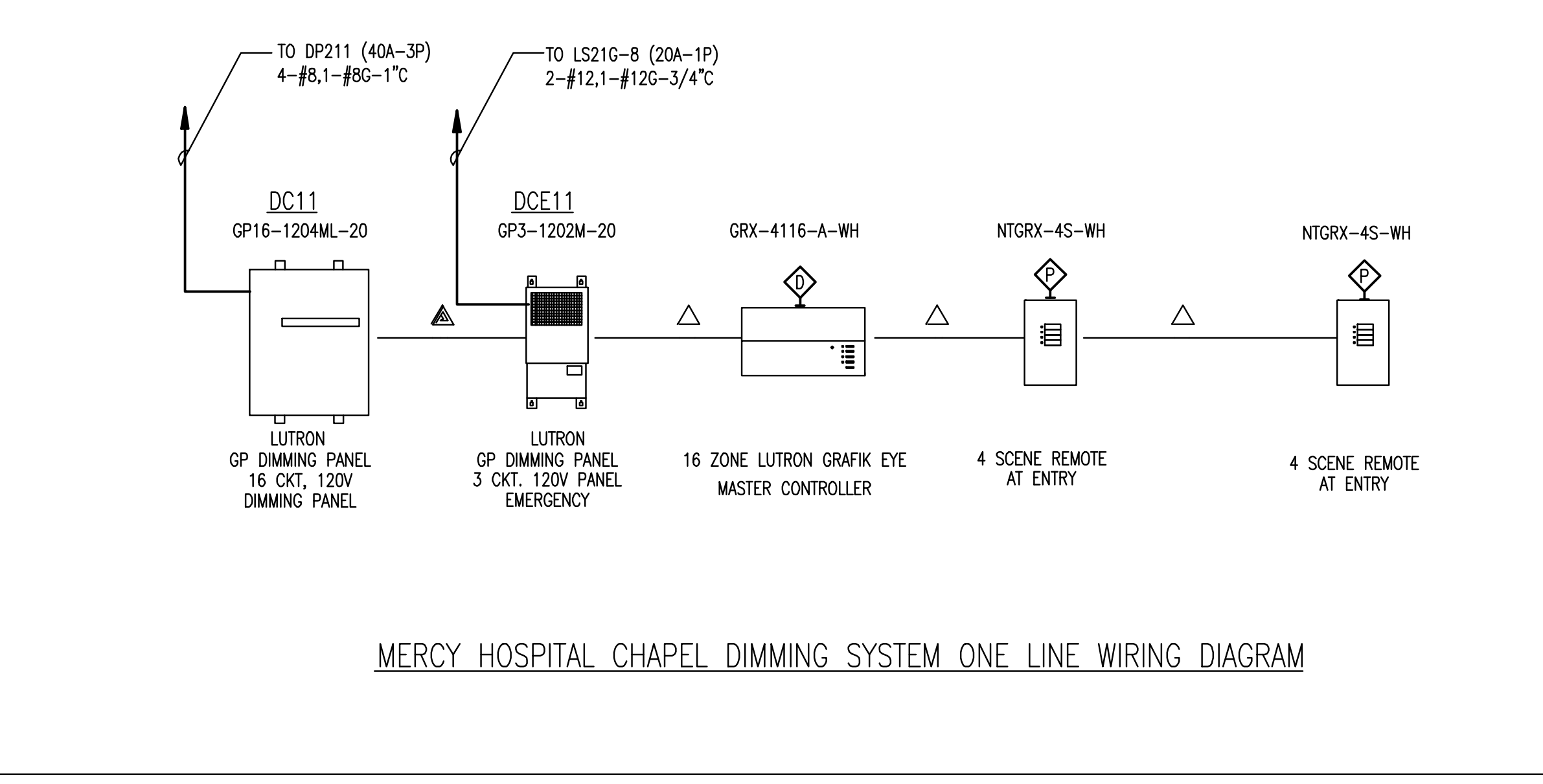
LOAD TYPE LEGEND

FLN	FLUORESCENT NON-DIM (SWITCHED ONLY)
FLD	FLUORESCENT DIMMED (LUTRON HI-LUME)
MLV	MAGNETIC LOW VOLTAGE TRANSFORMER
INC	INCANDESCENT DIMMED
MHN	METAL HALID NON-DIM (SWITCHED ONLY)
SW	OTHER SOURCE (SWITCHED ONLY)
E	EMERGENCY LOAD
N	NORMAL LOAD



DIMMING SYSTEM, AREA LOAD SCHEDULE "DCE11" EMERGENCY PANEL

ZONE	DESCRIPTION	CKT #	VOLTAGE	FEED TYPE	LOAD TYPE	FIXTURE LOAD	# OF FIXTURES	* LOAD W/VA	NOTES
E1	COVE LIGHTING "B1D"	1	120V	E	FLD	60W	11	660W	
E2	SPARE	2	120V	E					
E3	SPACE								



△ LUTRON CABLE GRX-CBL-46L (2 #12AWS, 1#18AWG, 1TWP) FOR 4000 SYSTEMS; LUTRON CABLE GRX-CBL-346S-500 (2 #18AWG + 1TWP) FOR 3000 SYSTEMS. OTHERWISE, USE SIMILAR WIRING. TWP AVAILABLE AS BELDEN #9461

▲ LUTRON CABLE GRX-CBL-46L (2 #12AWS, 1#18AWG, 1TWP). OTHERWISE, USE 3 #18AWG (1.0MM2) PLUS 1 BELDEN #9461 (OR EQUIVALENT)

