

Francis

Caufman

Foley

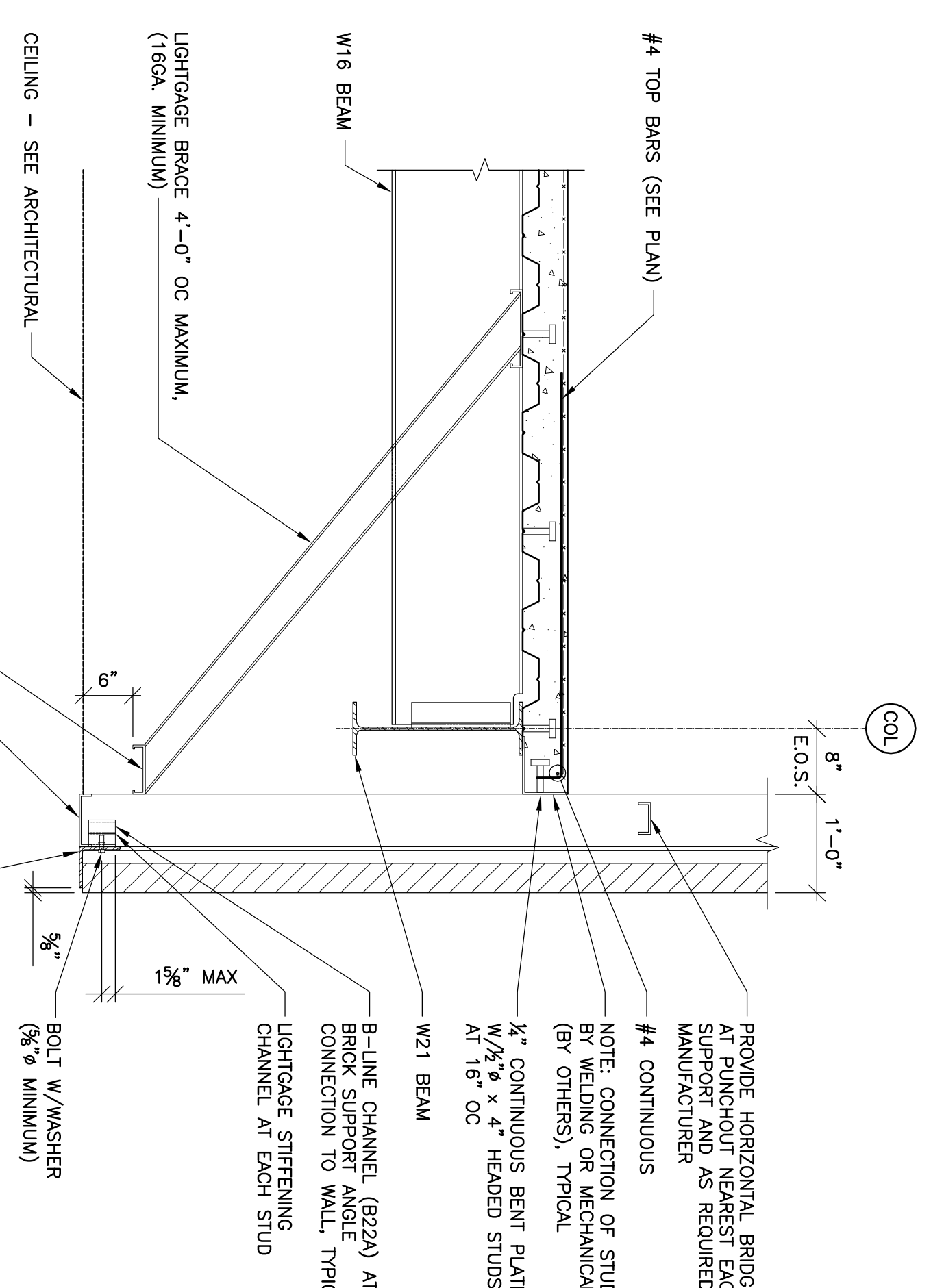
Hoffmann

Francis Cauffman
Foley Hoffmann
Architects Ltd.
2120 Arch Street
Philadelphia, PA 19103
215-588-8200

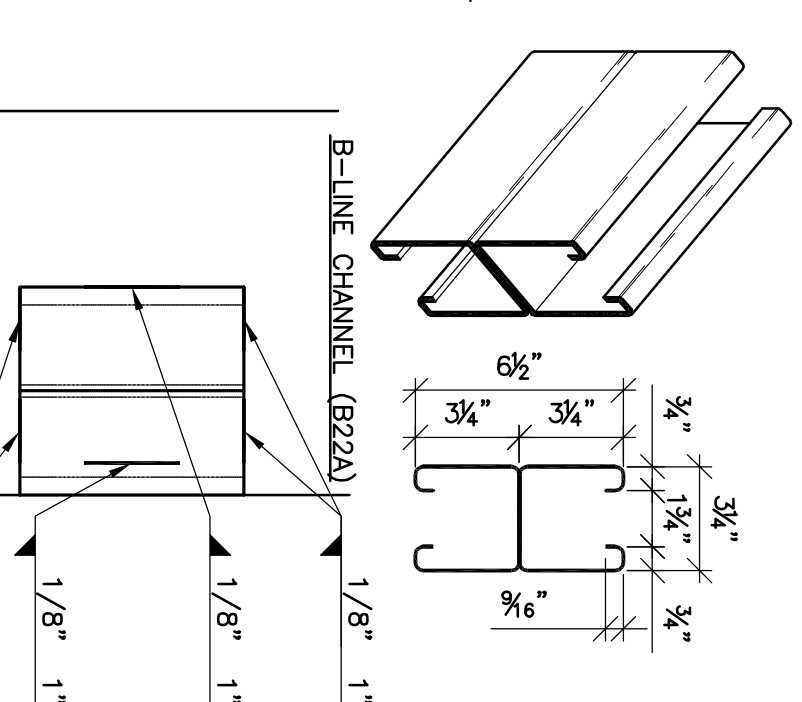
STRUCTURAL ENGINEER
ROBERT EDWARD CHESTER ASSOCIATES,
118 COLTIER AVENUE
ARNDT, PA 19003
P (610) 545-9570
F (610) 545-9572

M/E/P ENGINEERS, L.P.
1500 WALNUT STREET, SUITE 1400
PHILADELPHIA, PA 19102
P 215-282-2154
F 215-755-5708

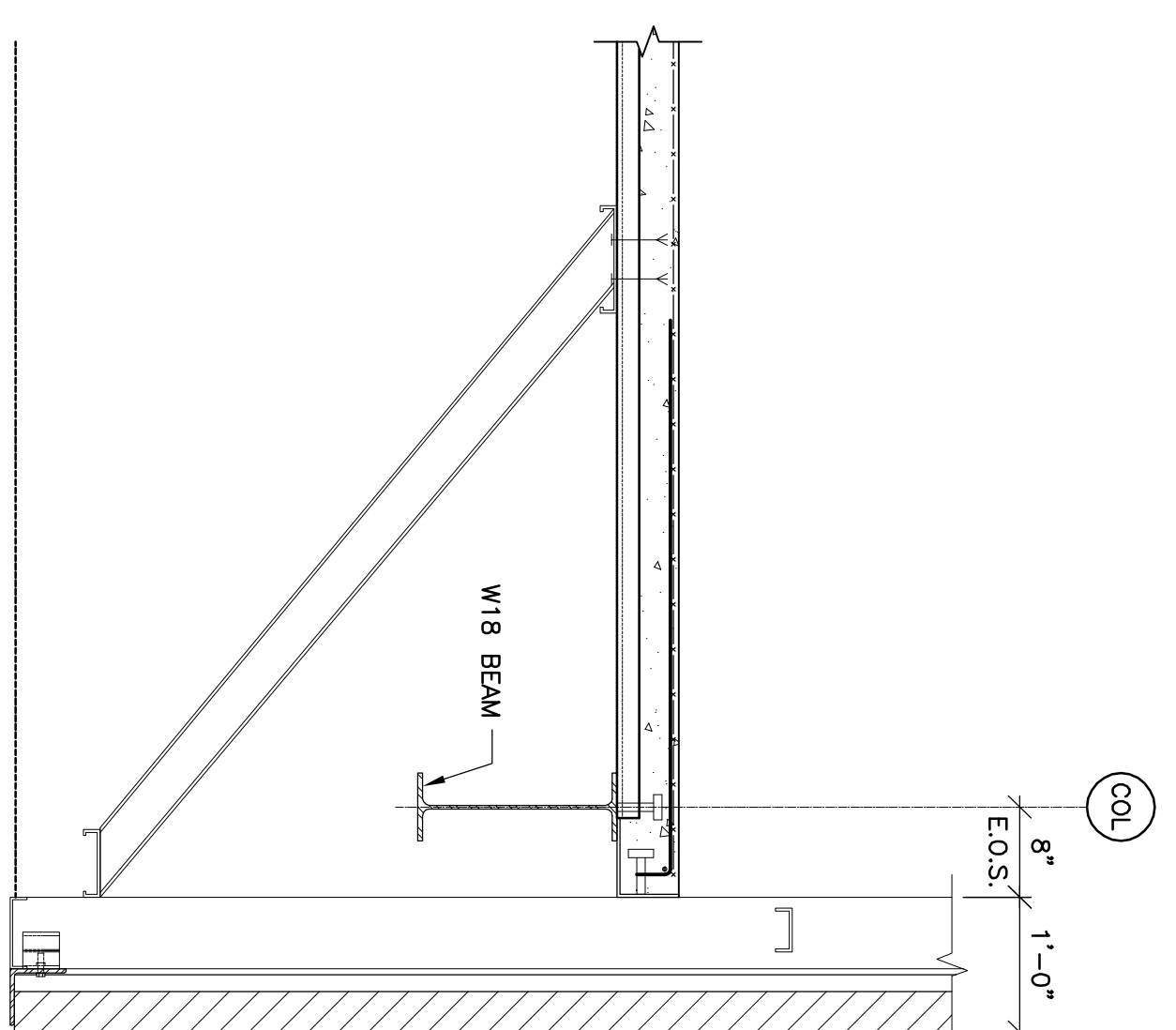
REVISIONS
11-20-06 CONSTRUCTION DOCUMENTS ISSUED



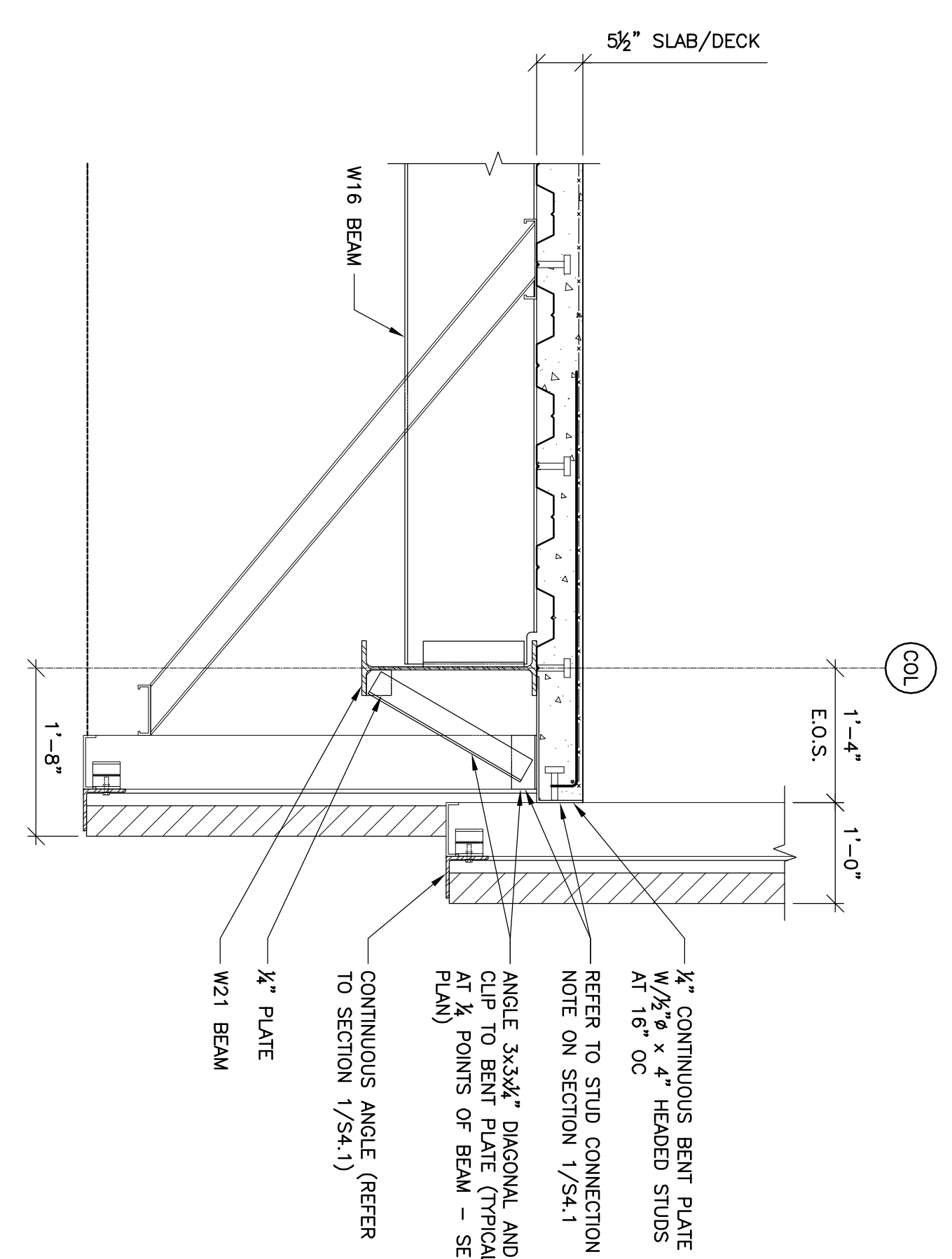
1 SECTION
S4.1 SCALE: 3/4"=1'-0"



2 SECTION
S4.1 SCALE: 3/4"=1'-0"

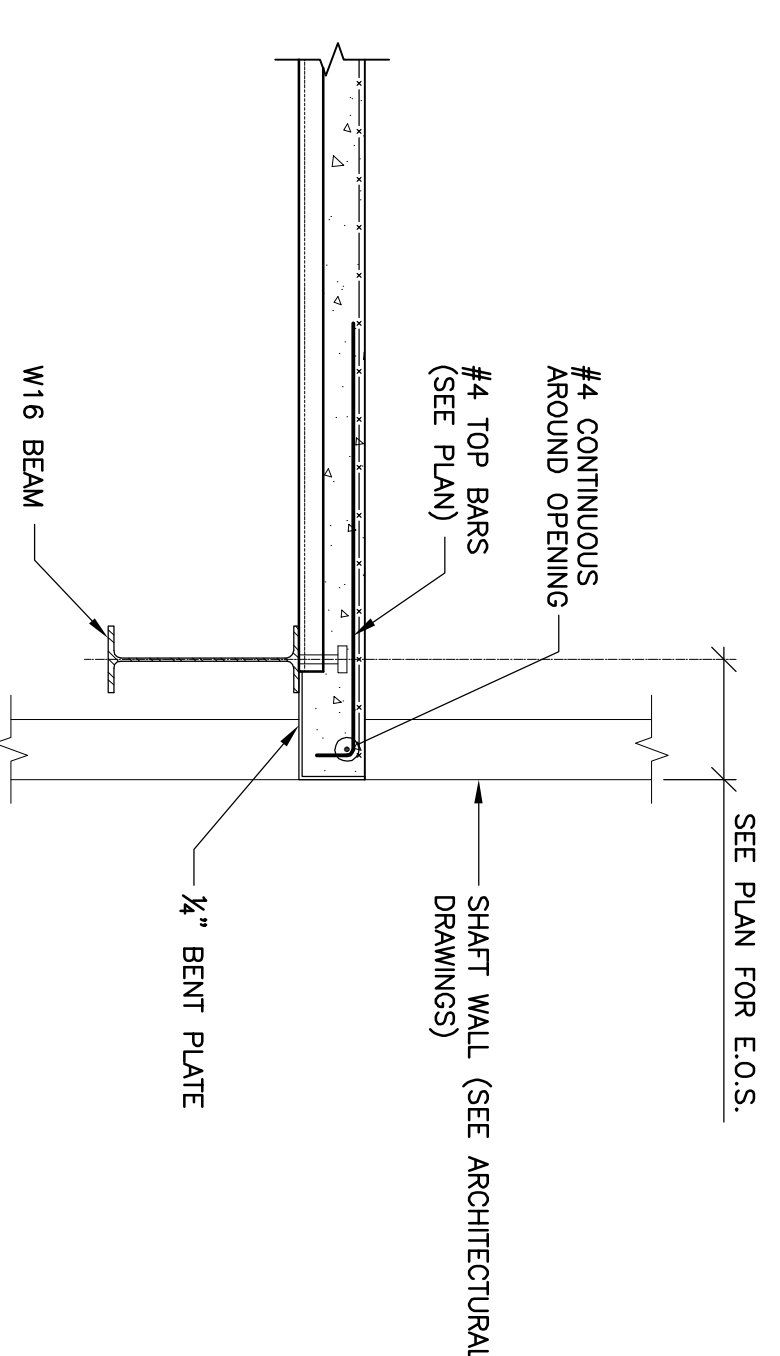


3 SECTION
S4.1 SCALE: 3/4"=1'-0"

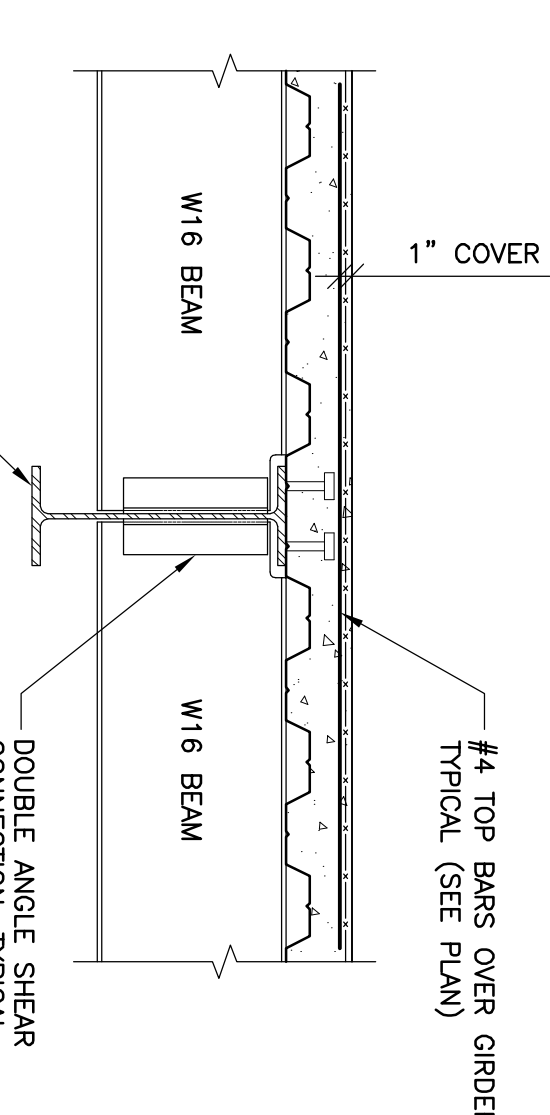


3A SECTION
S4.1 SCALE: 3/4"=1'-0"

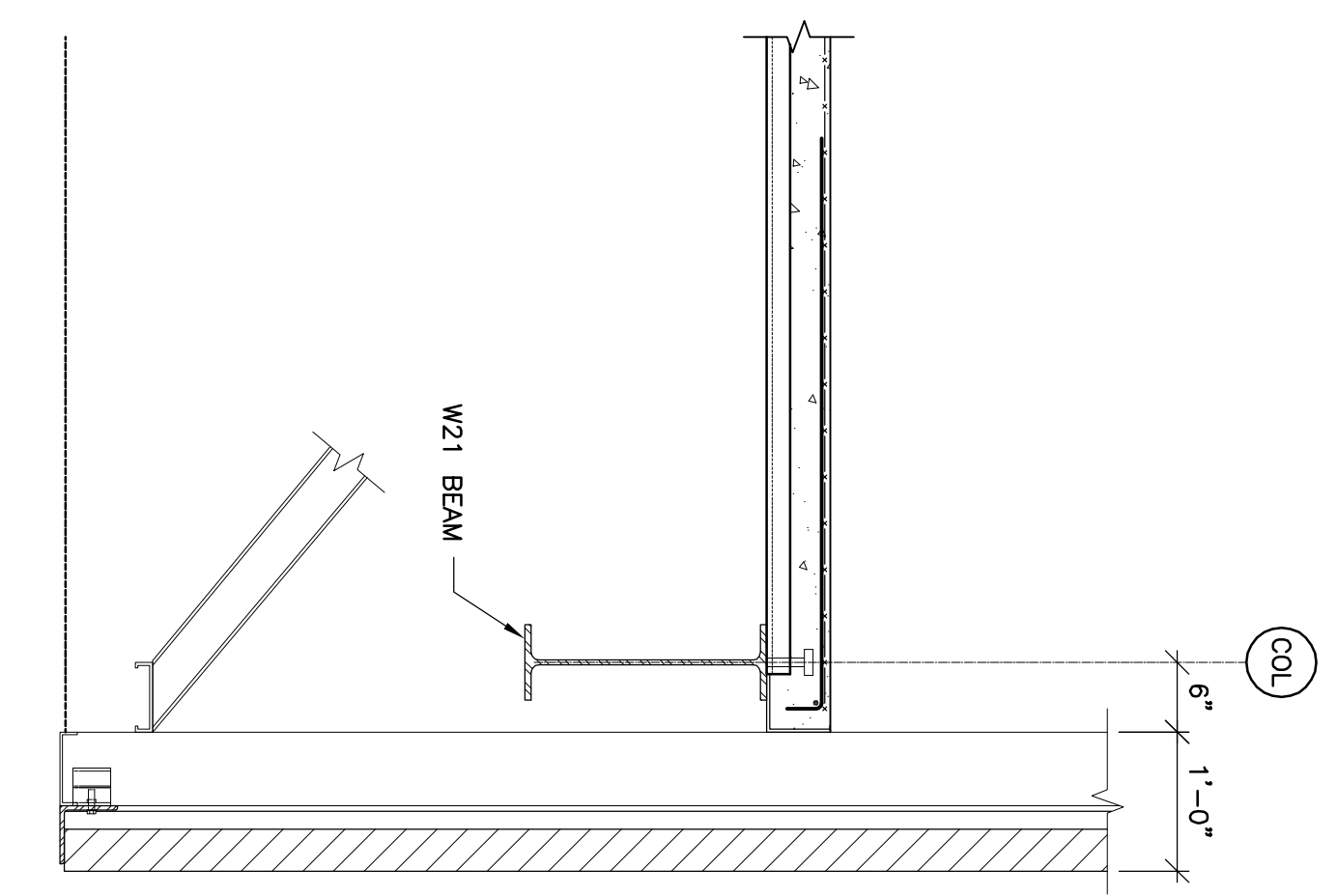
REFER TO SECTION 3/S4.1 FOR REMAINING INFORMATION



7 SECTION
S4.1 SCALE: 3/4"=1'-0"

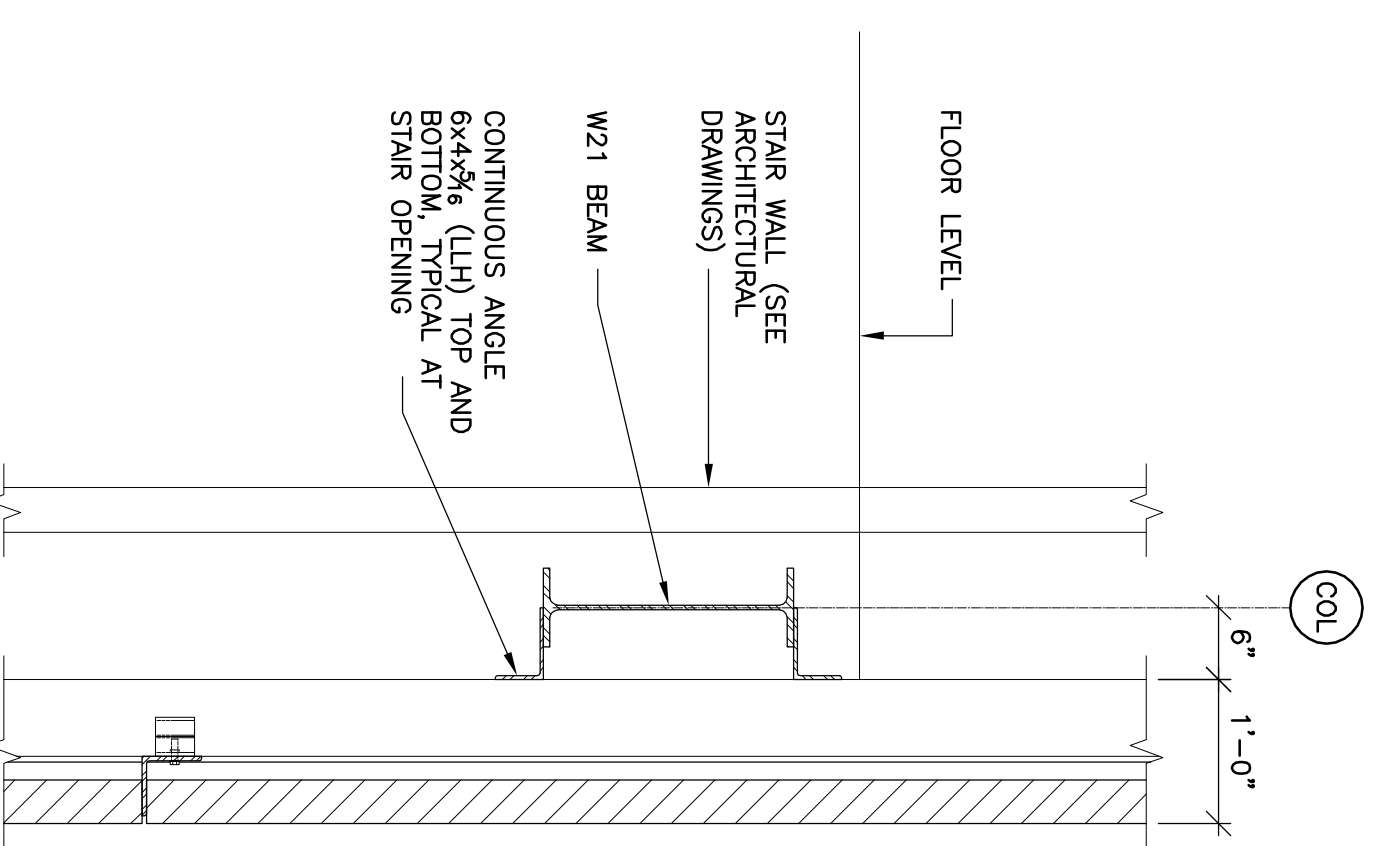


8 SECTION
S4.1 SCALE: 3/4"=1'-0"



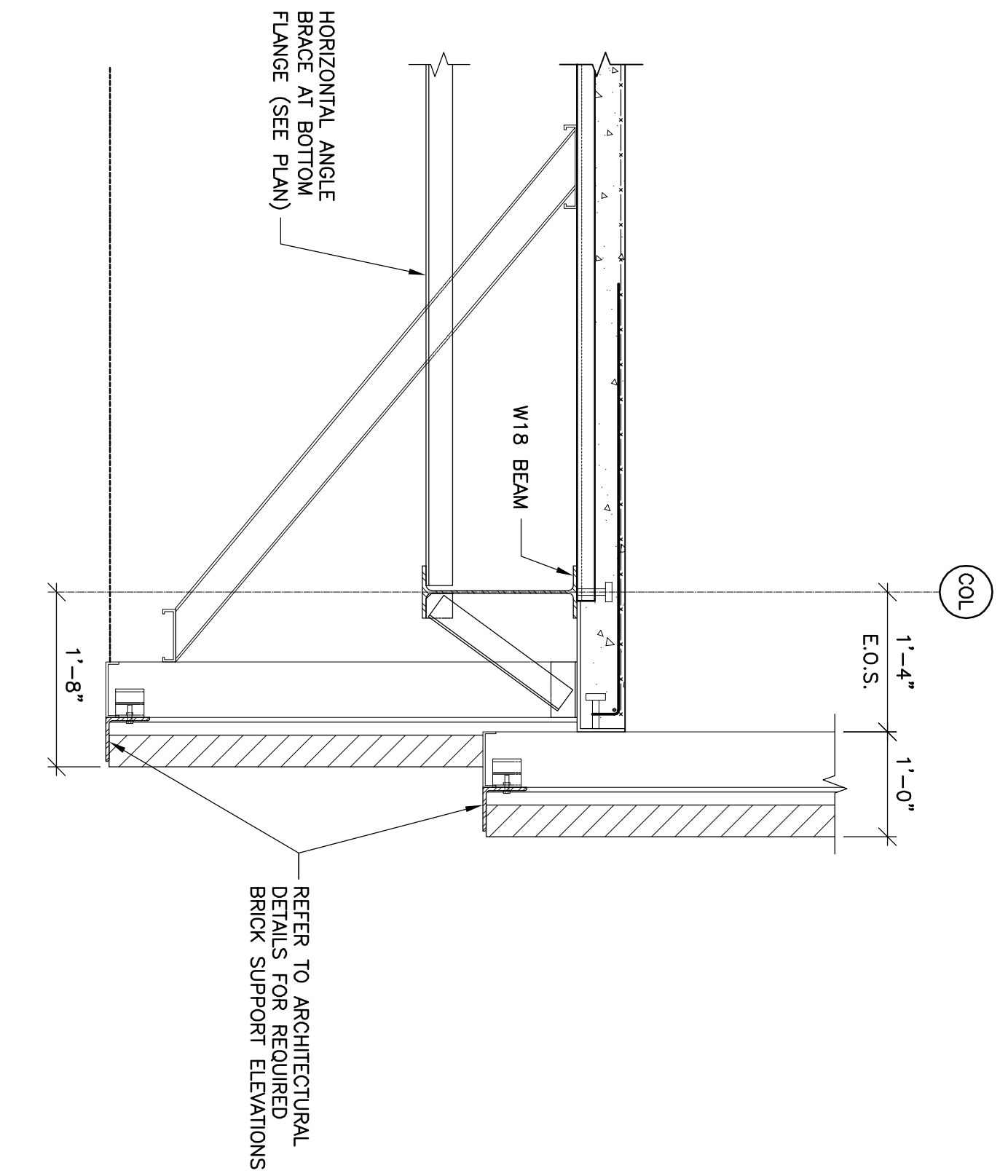
6 SECTION
S4.1 SCALE: 3/4"=1'-0"

REFER TO SECTIONS 2/S4.1 AND 3/S4.1 FOR REMAINING INFORMATION



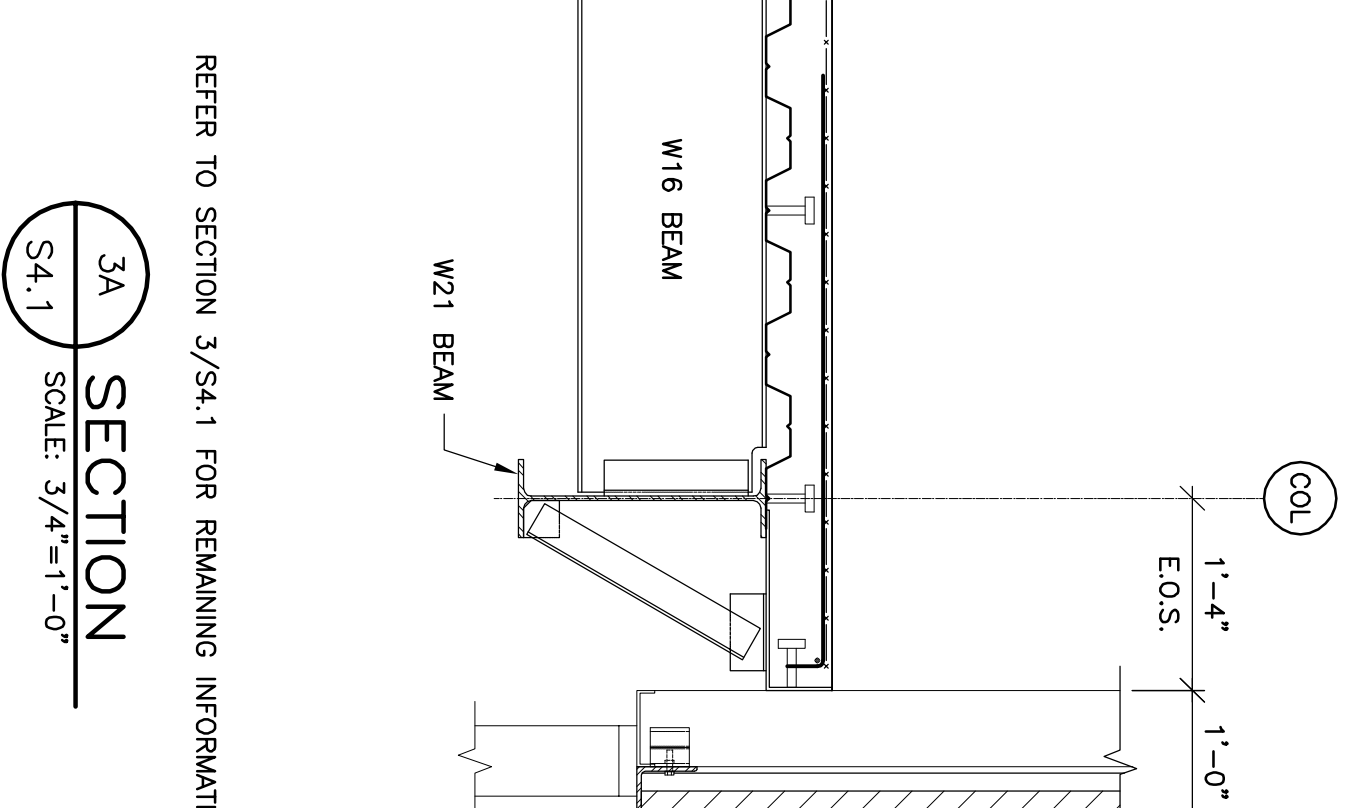
5 SECTION
S4.1 SCALE: 3/4"=1'-0"

REFER TO SECTIONS 2/S4.1 AND 3/S4.1 FOR REMAINING INFORMATION

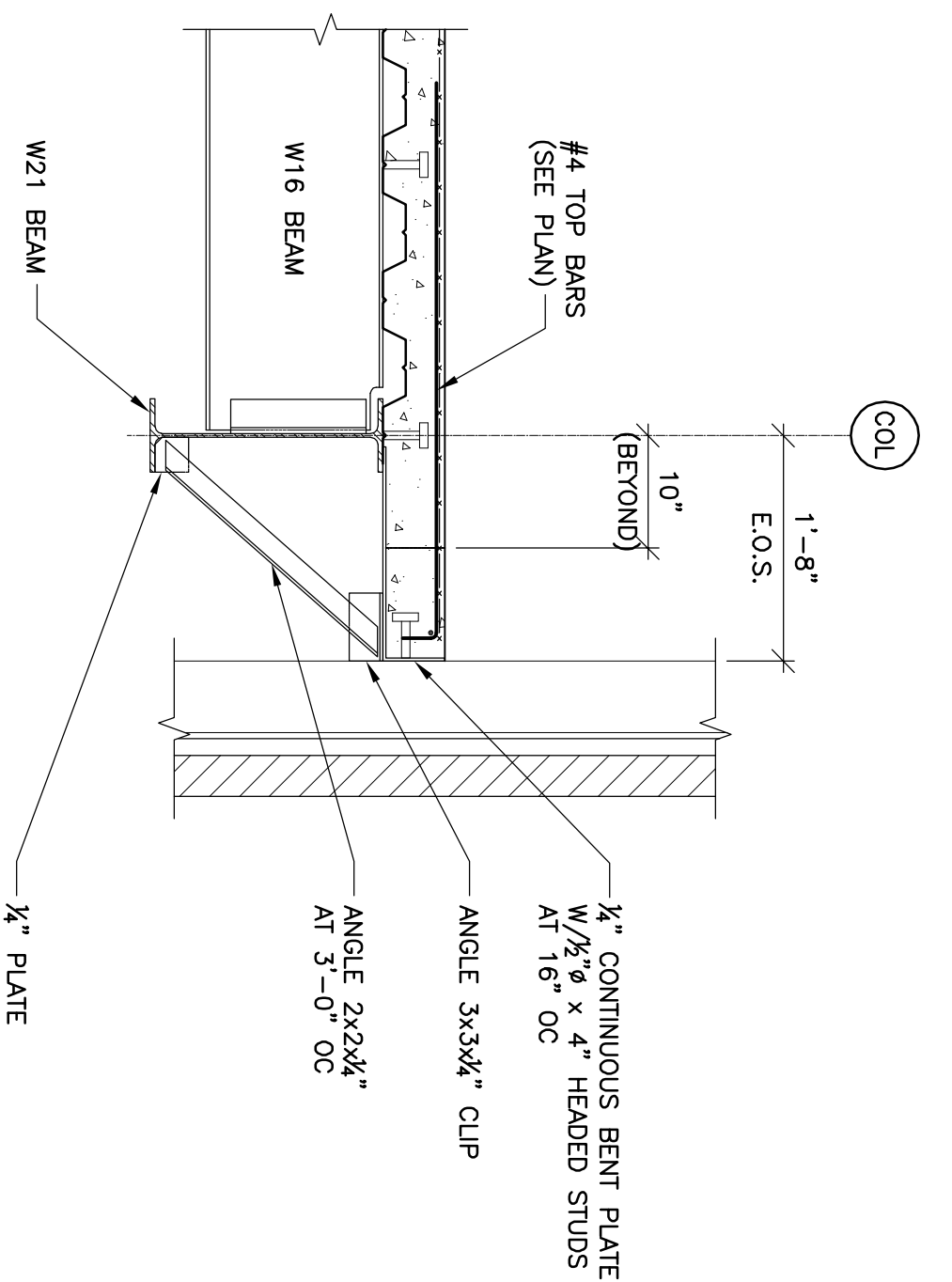


4 SECTION
S4.1 SCALE: 3/4"=1'-0"

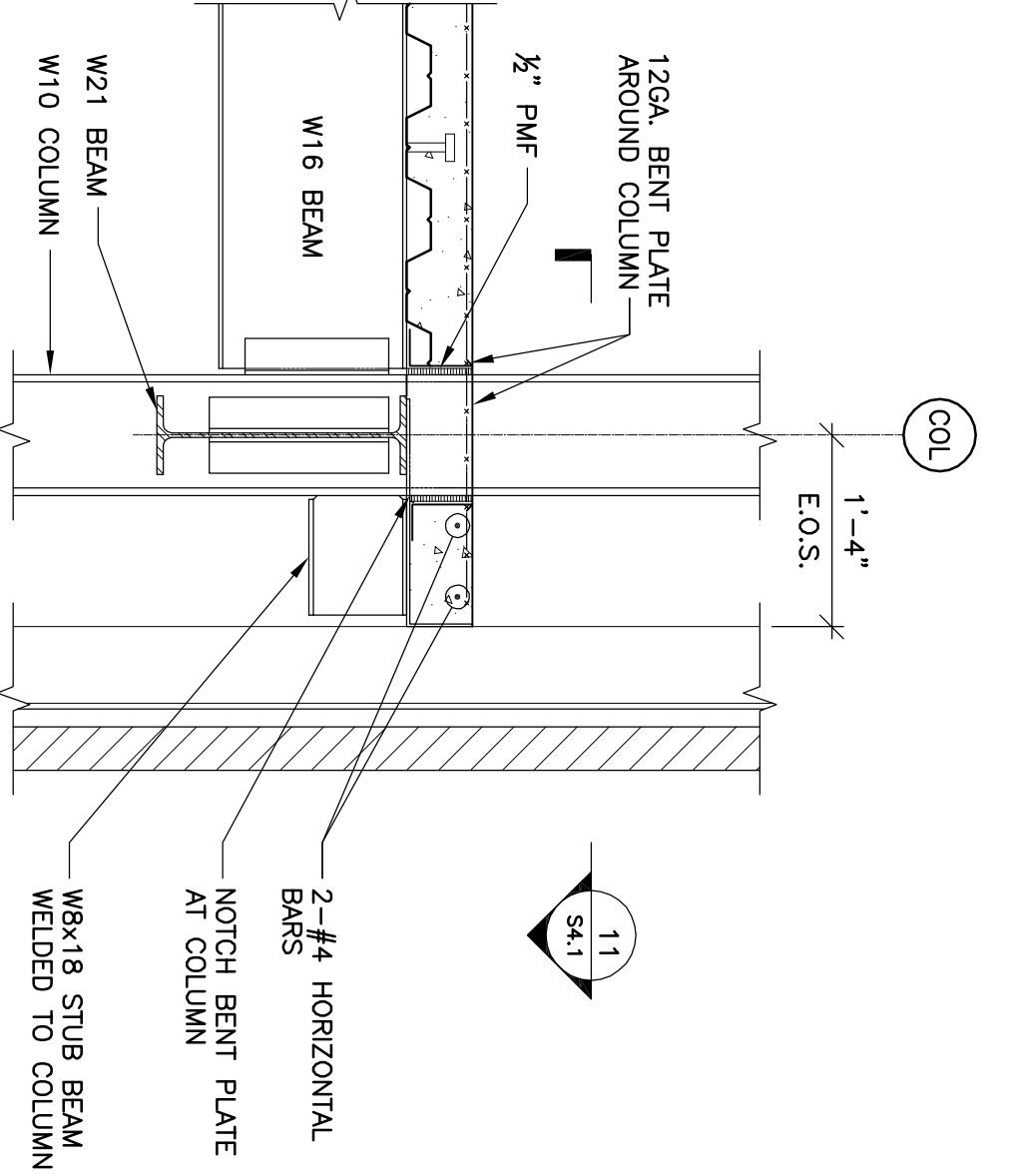
REFER TO SECTIONS 2/S4.1 AND 3/S4.1 FOR REMAINING INFORMATION



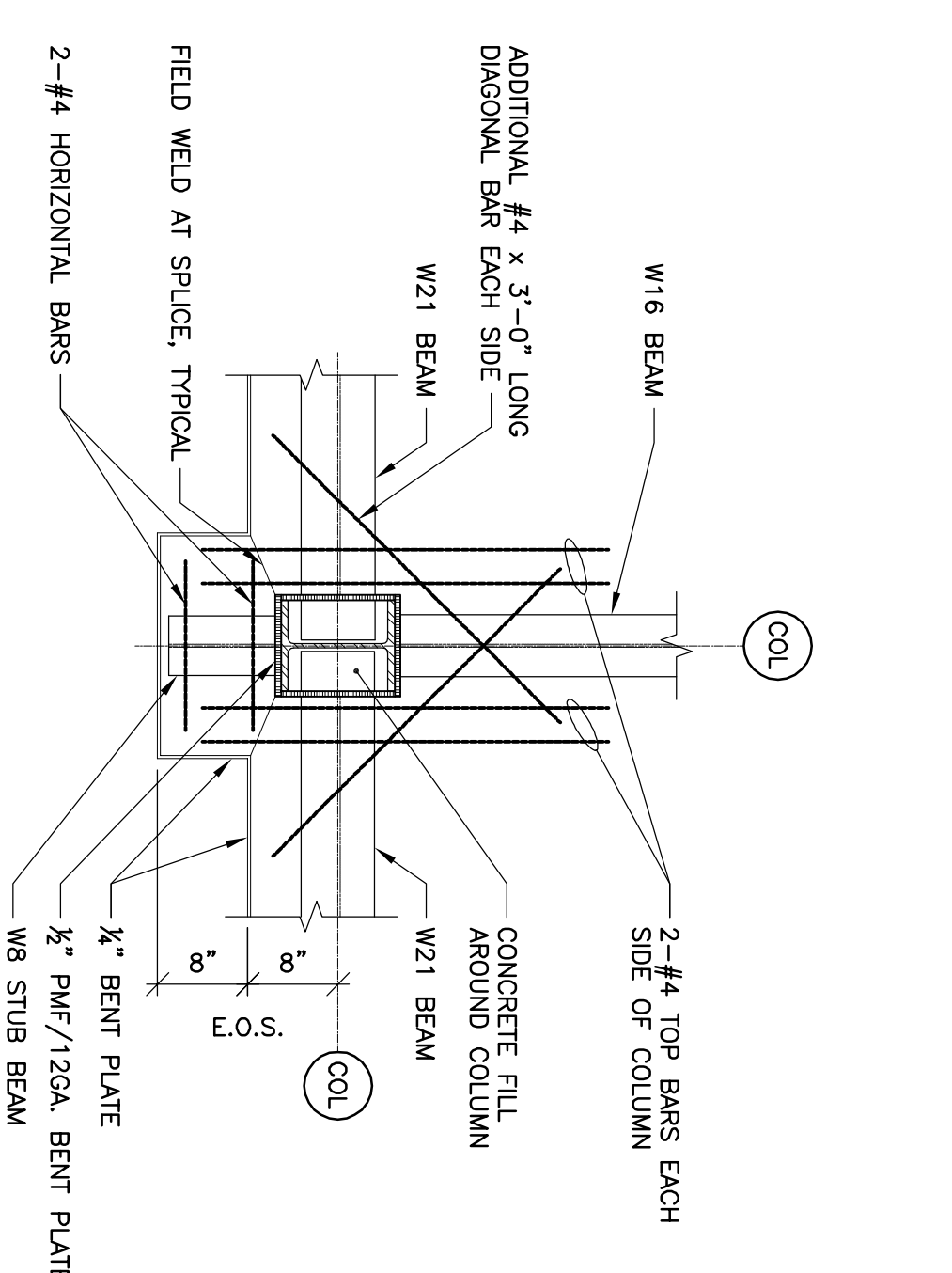
9 SECTION
S4.1 SCALE: 3/4"=1'-0"



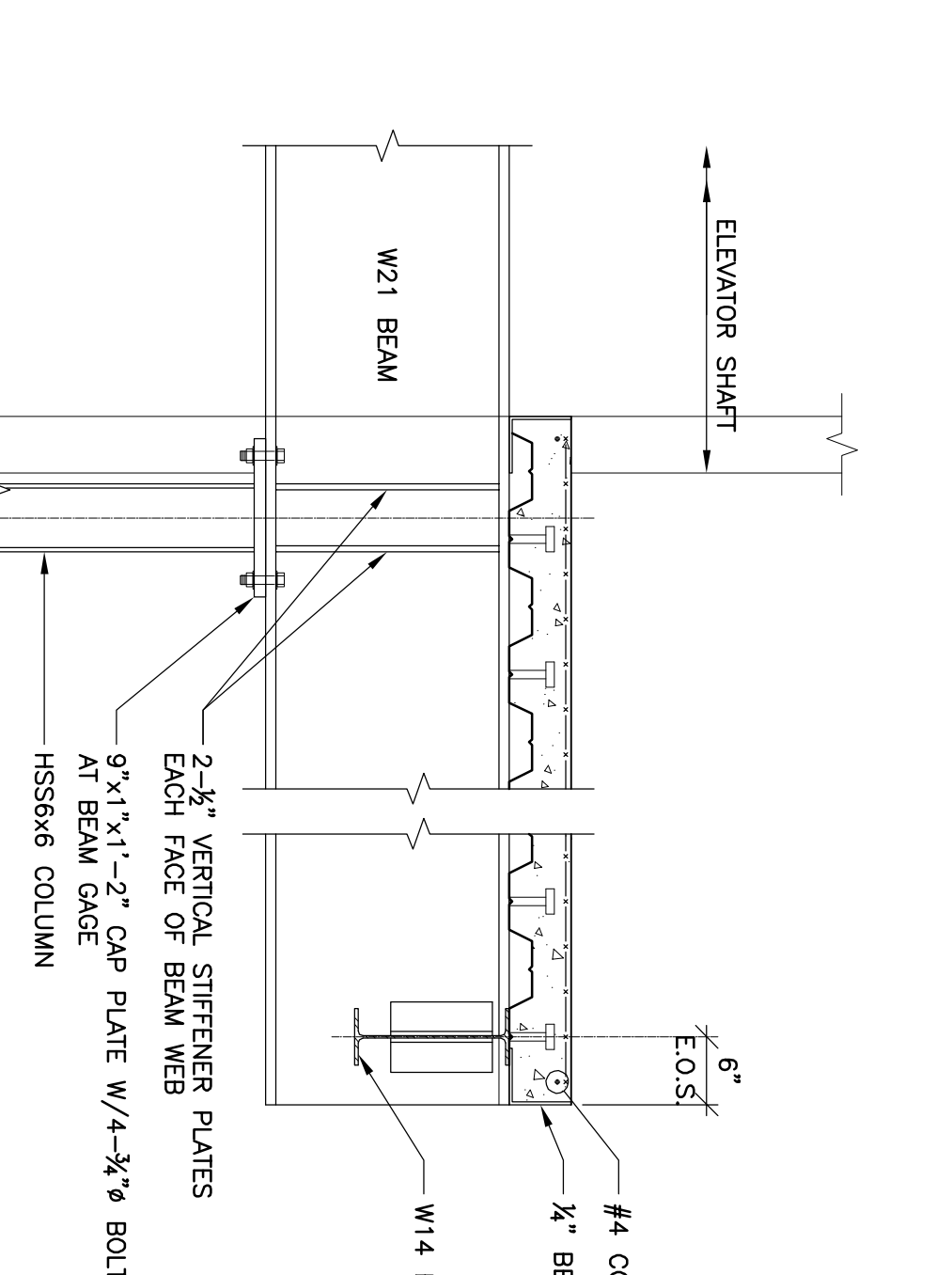
10 SECTION
S4.1 SCALE: 3/4"=1'-0"



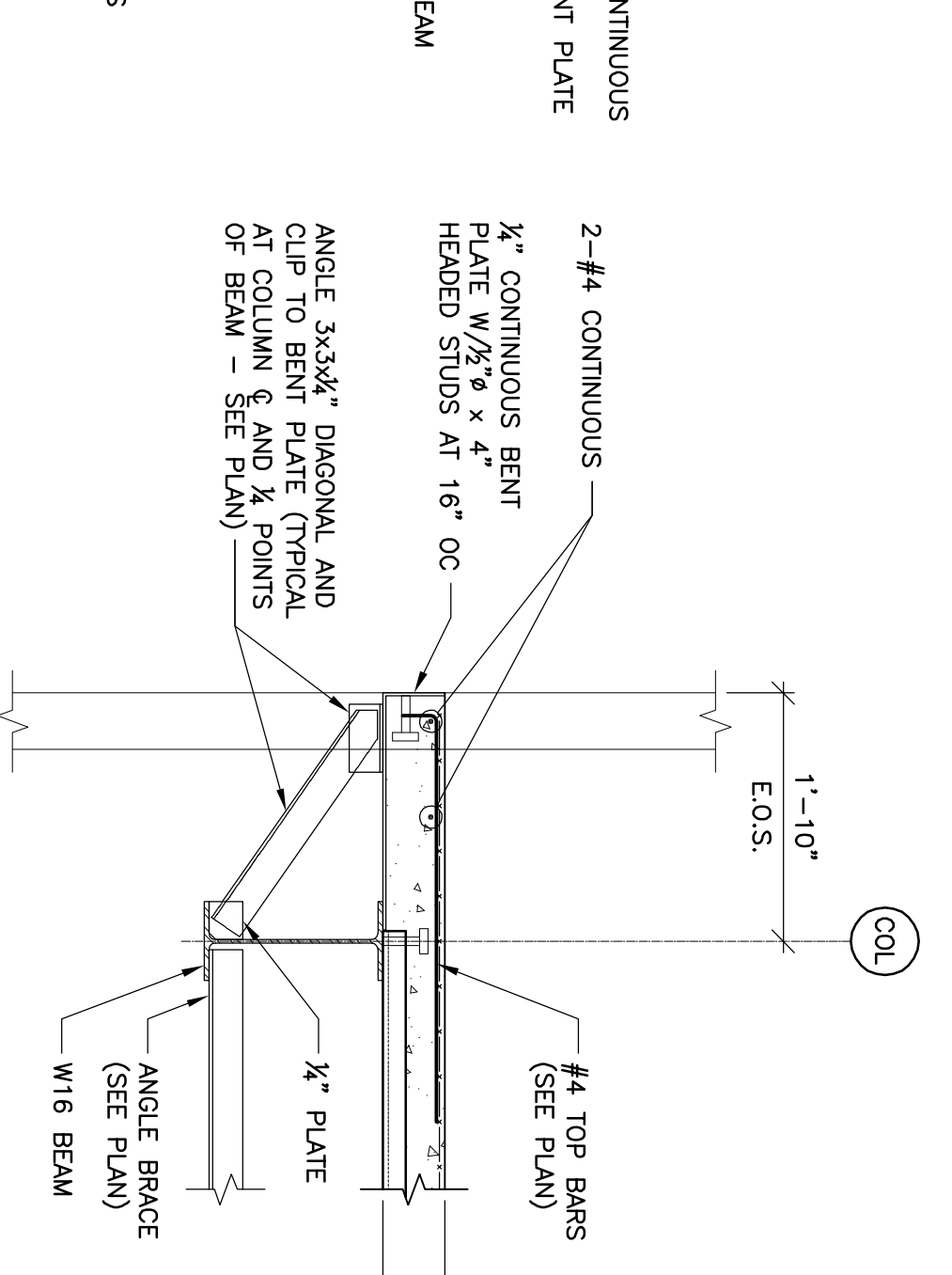
11 PLAN SECTION
S4.1 SCALE: 3/4"=1'-0"



12 PLAN SECTION
S4.1 SCALE: 3/4"=1'-0"



13 PLAN SECTION
S4.1 SCALE: 3/4"=1'-0"



Sheet
**STEEL FRAMING
DETAILS**

Project Title
**Landmark Healthcare
Facilities LLC
Fore River Medical
Pavilion
Portland, Maine**

Date
NOVEMBER 20, 2006

Project Number
FO6-5103

Drawing Number
S4.1

S4.1