

Francis

Caufman

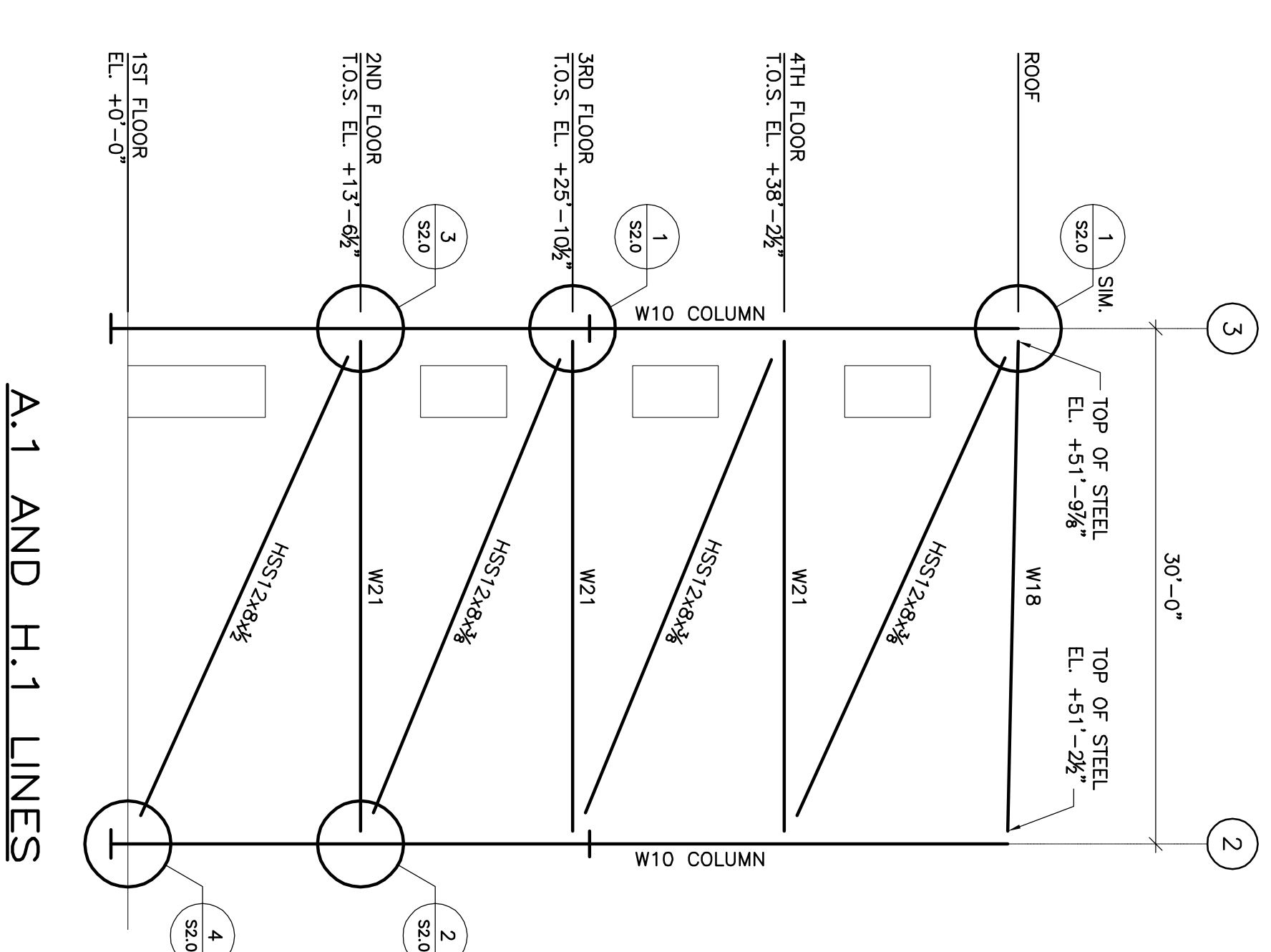
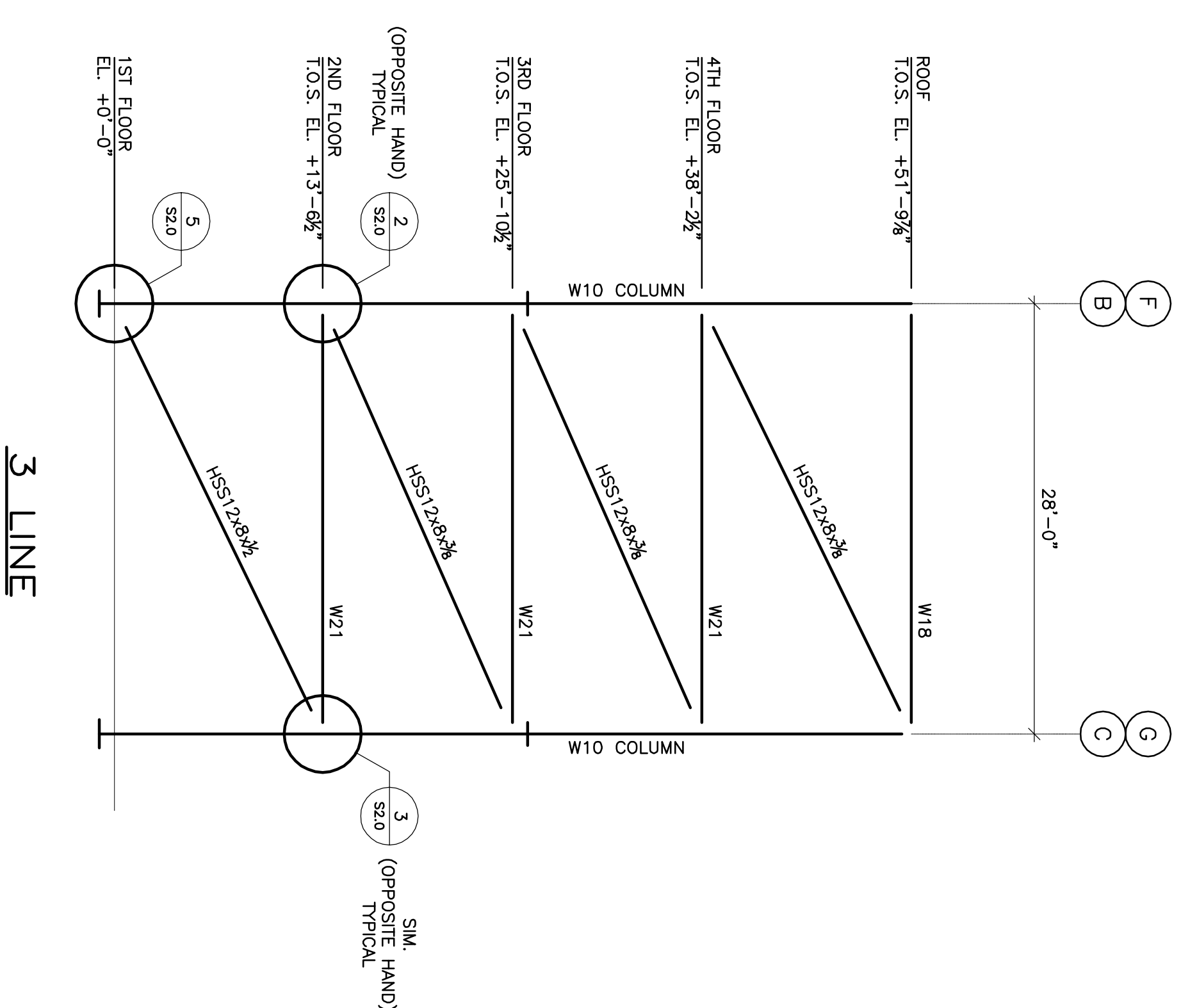
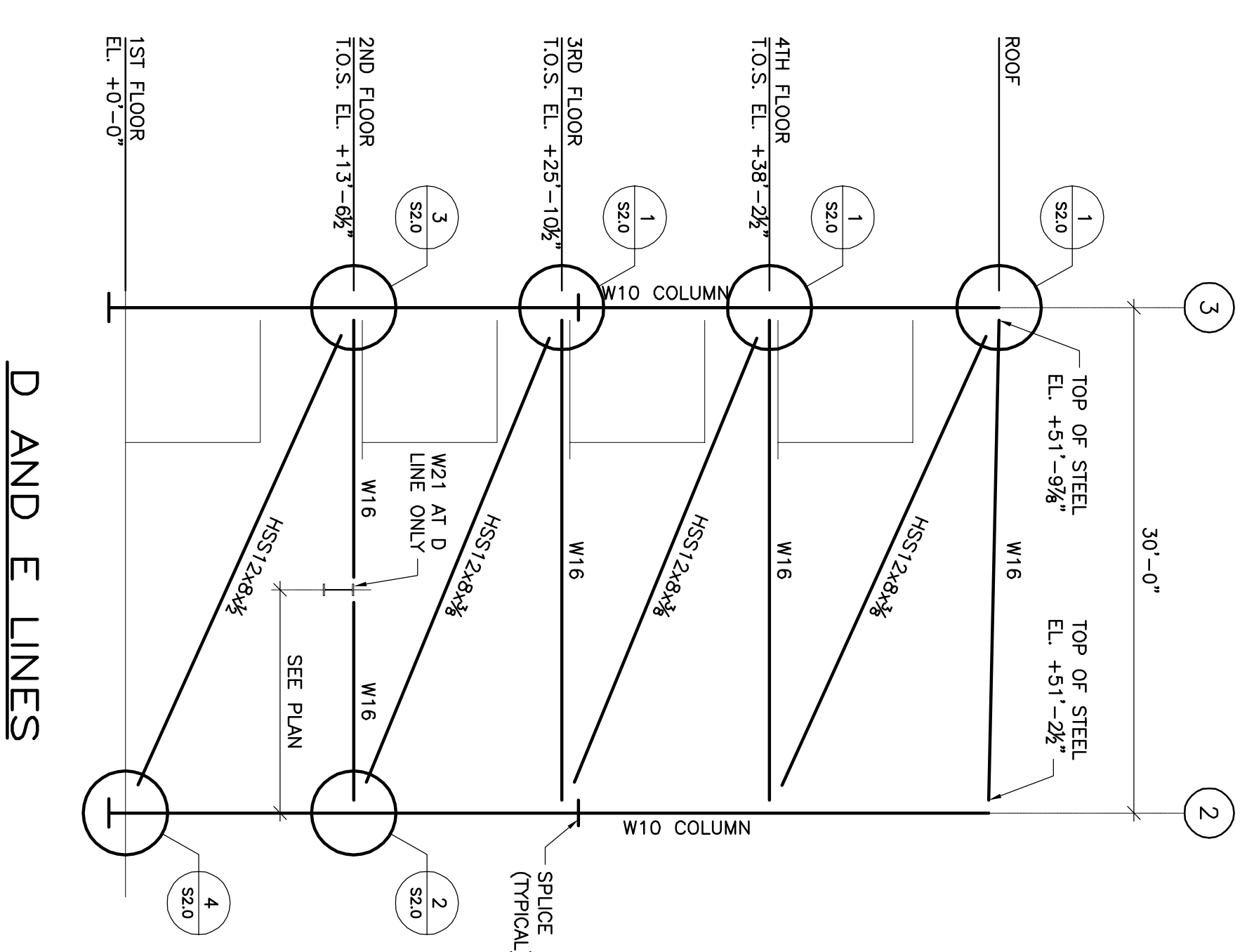
Foley

Hoffmann

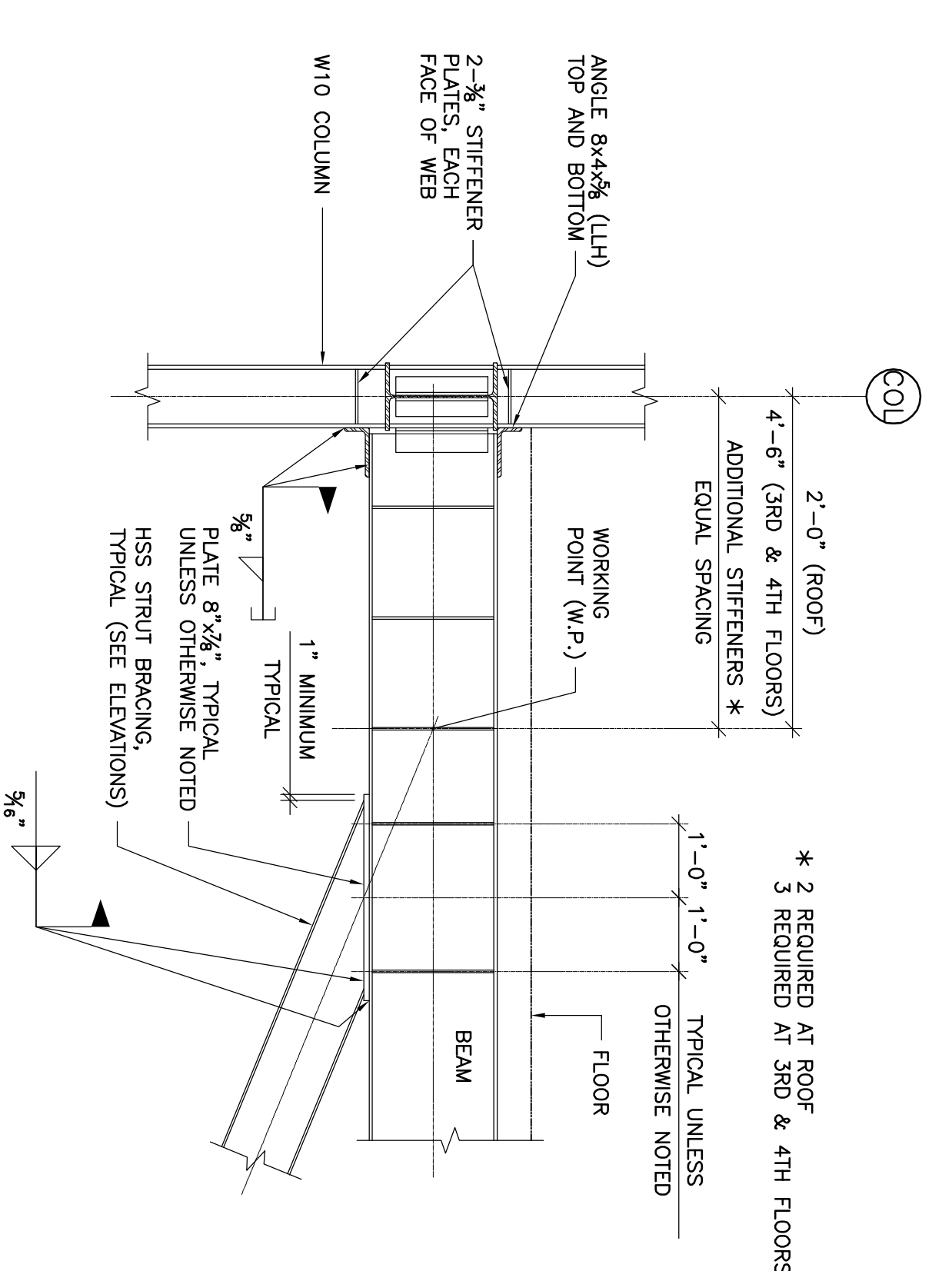
Francis, Cauffman
Foley, Hoffmann
Architects Ltd. 2120 Arch Street
Philadelphia, PA 19103
215-588-8250

STRUCTURAL ENGINEER
ROBERT EDWARD CHESTER ASSOCIATES,
118 COLTIER AVENUE
ANNAPOLIS, PA 19003
P (610) 945-9570
F (610) 945-9572

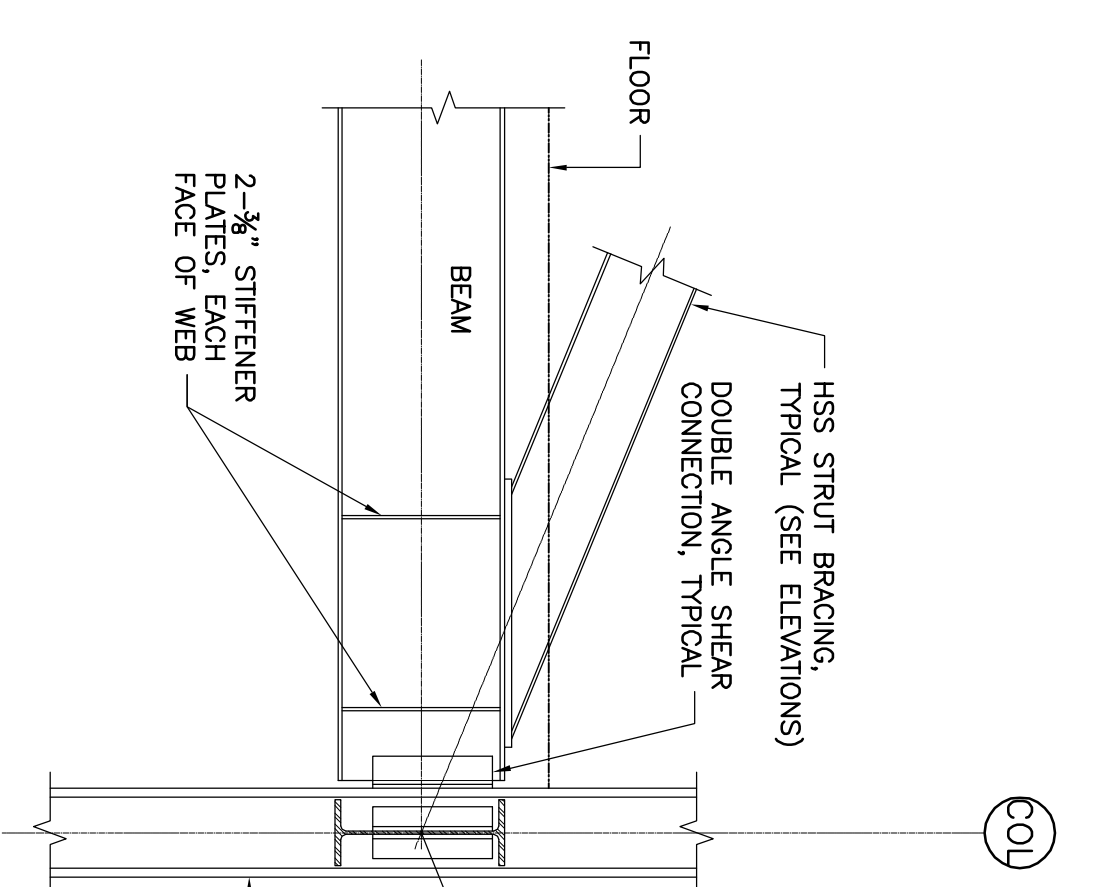
M/E/P ENGINEERS, LP
1500 WALNUT STREET, SUITE 1400
PHILADELPHIA, PA 19102
P 215-282-1154
F 215-735-5708



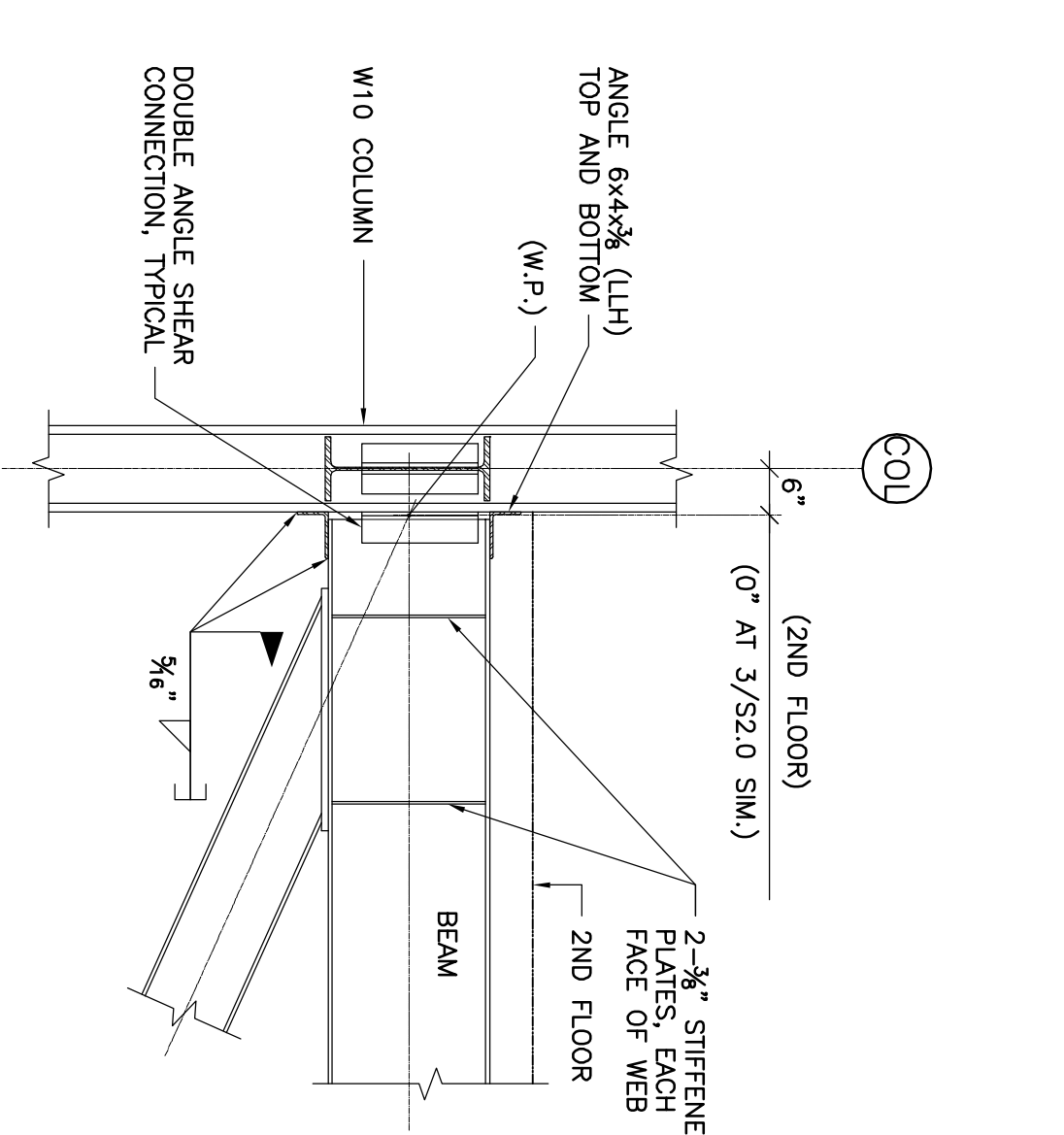
BRACED FRAME ELEVATIONS
SCALE: 1/8"=1'-0"



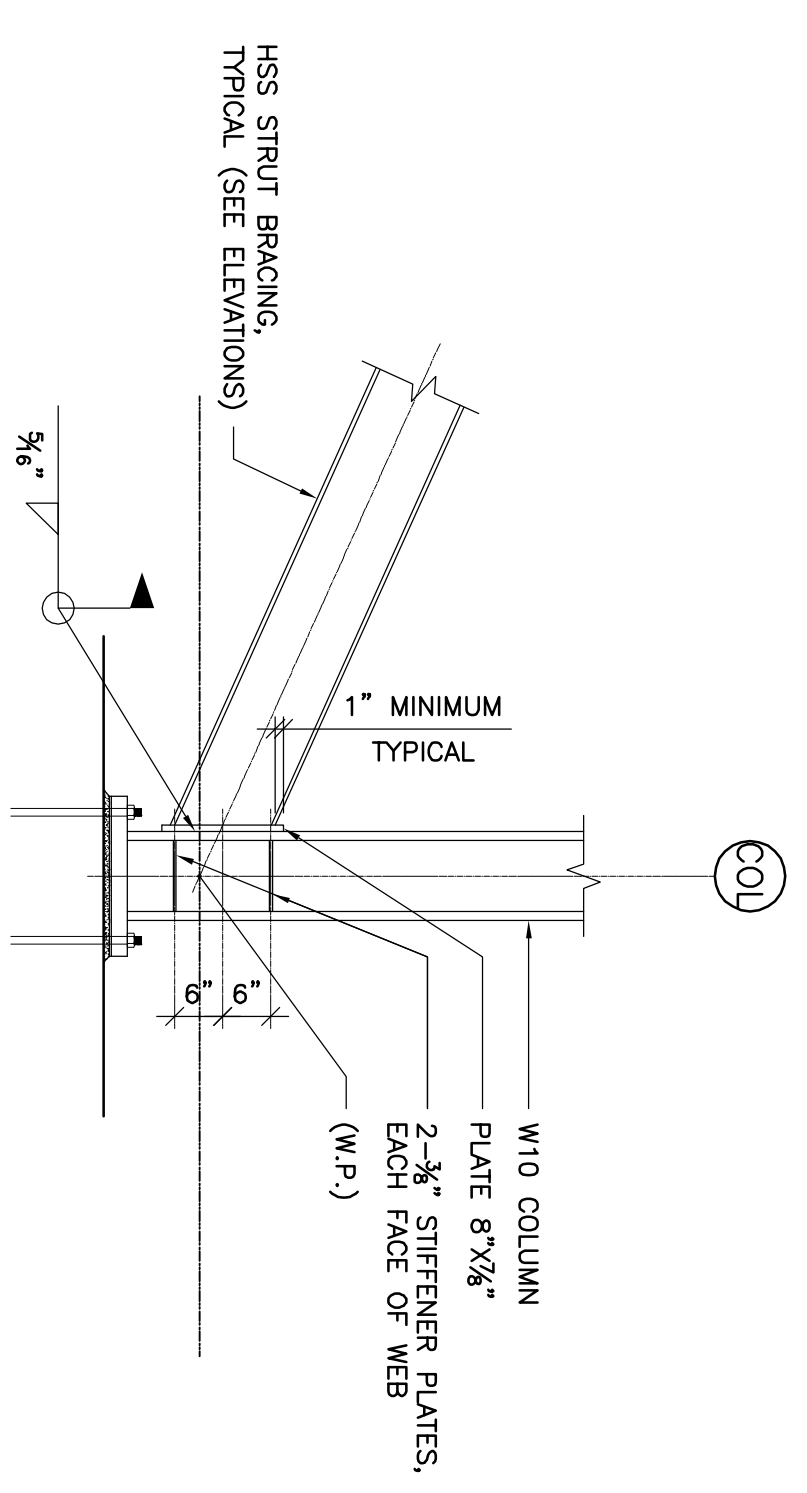
1 ECCENTRIC BRACED FRAME DETAIL
S2.0



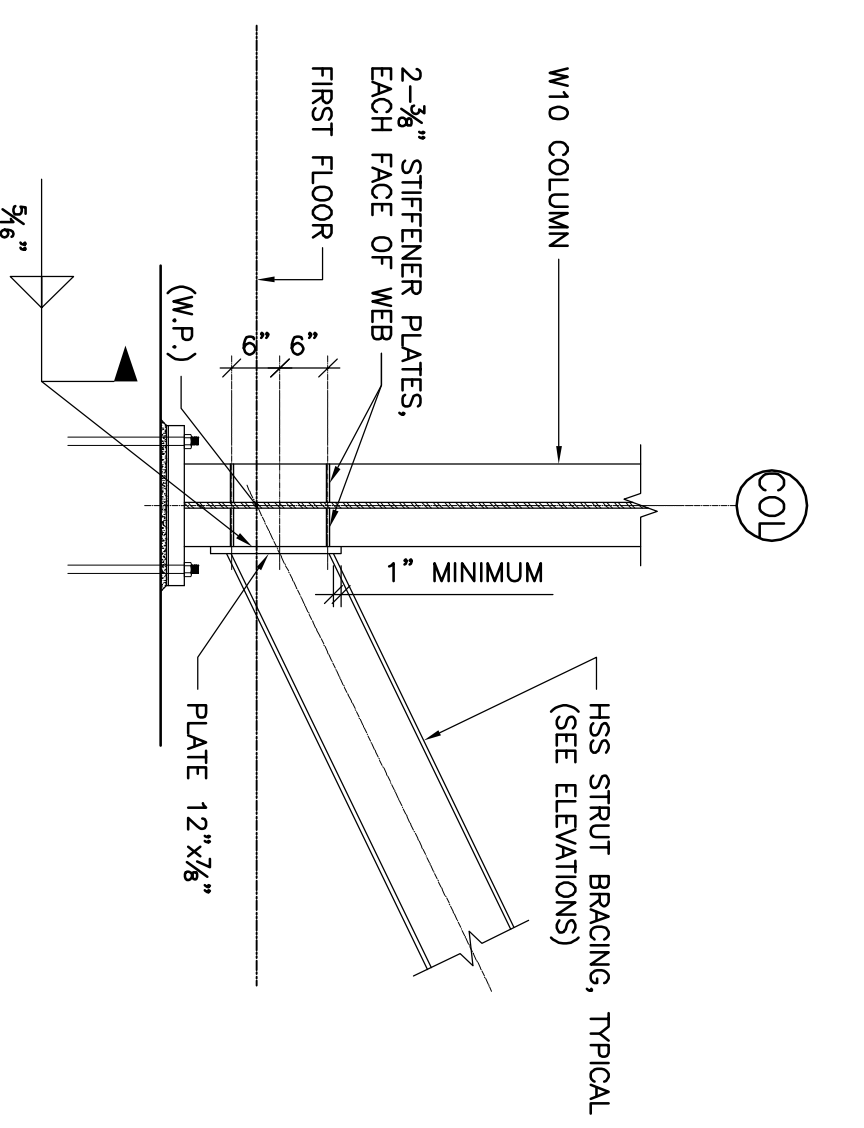
2 BRACED FRAME DETAIL
S2.0 (REFER TO DETAIL 1/S2.0 FOR ADDITIONAL INFORMATION)



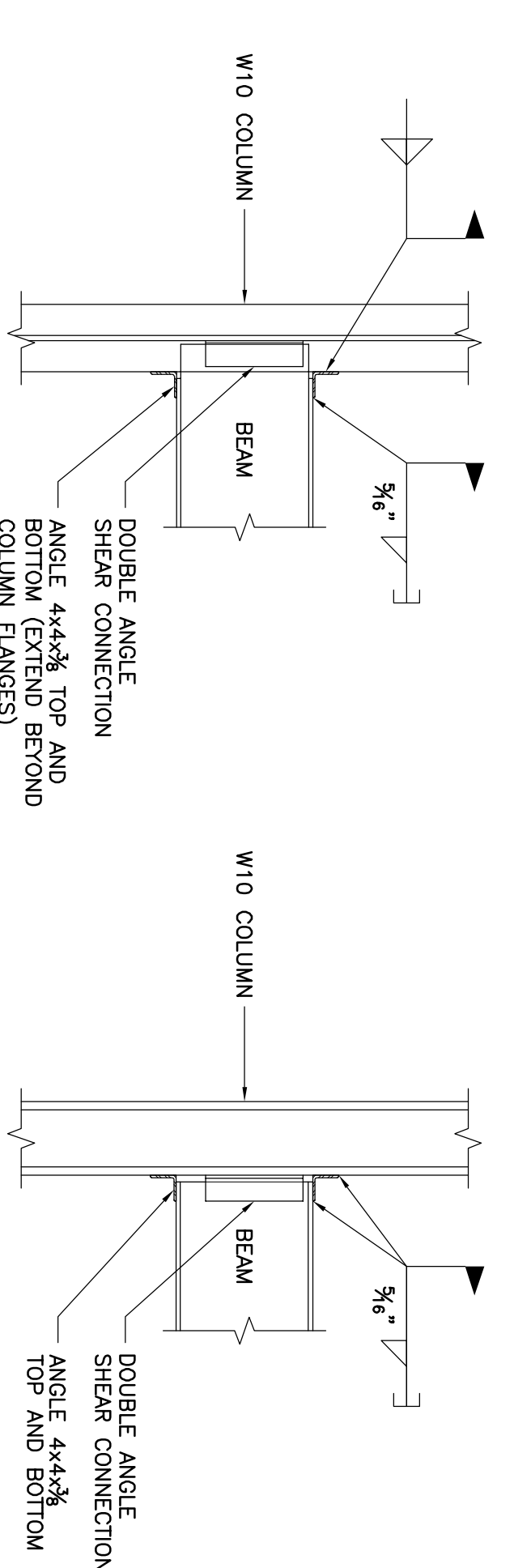
3 ECCENTRIC BRACED FRAME DETAIL
S2.0 (REFER TO DETAIL 1/S2.0 FOR ADDITIONAL INFORMATION)



4 BRACED FRAME AT COLUMN BASE DETAIL
S2.0



5 BRACED FRAME AT COLUMN BASE DETAIL
S2.0



**DETAILS AT BEAM TO COLUMN
CONNECTION FOR DIAPHRAGM DISTRIBUTION**
S2.0 SCALE: 1/2"=1'-0"