

**Francis**

**Coffman**

**Foley**

**Hoffmann**

Francis Coffman 2120 Arch Street  
Foley Hoffmann Philadelphia, PA 19103  
Architects Ltd. 215-568-8250

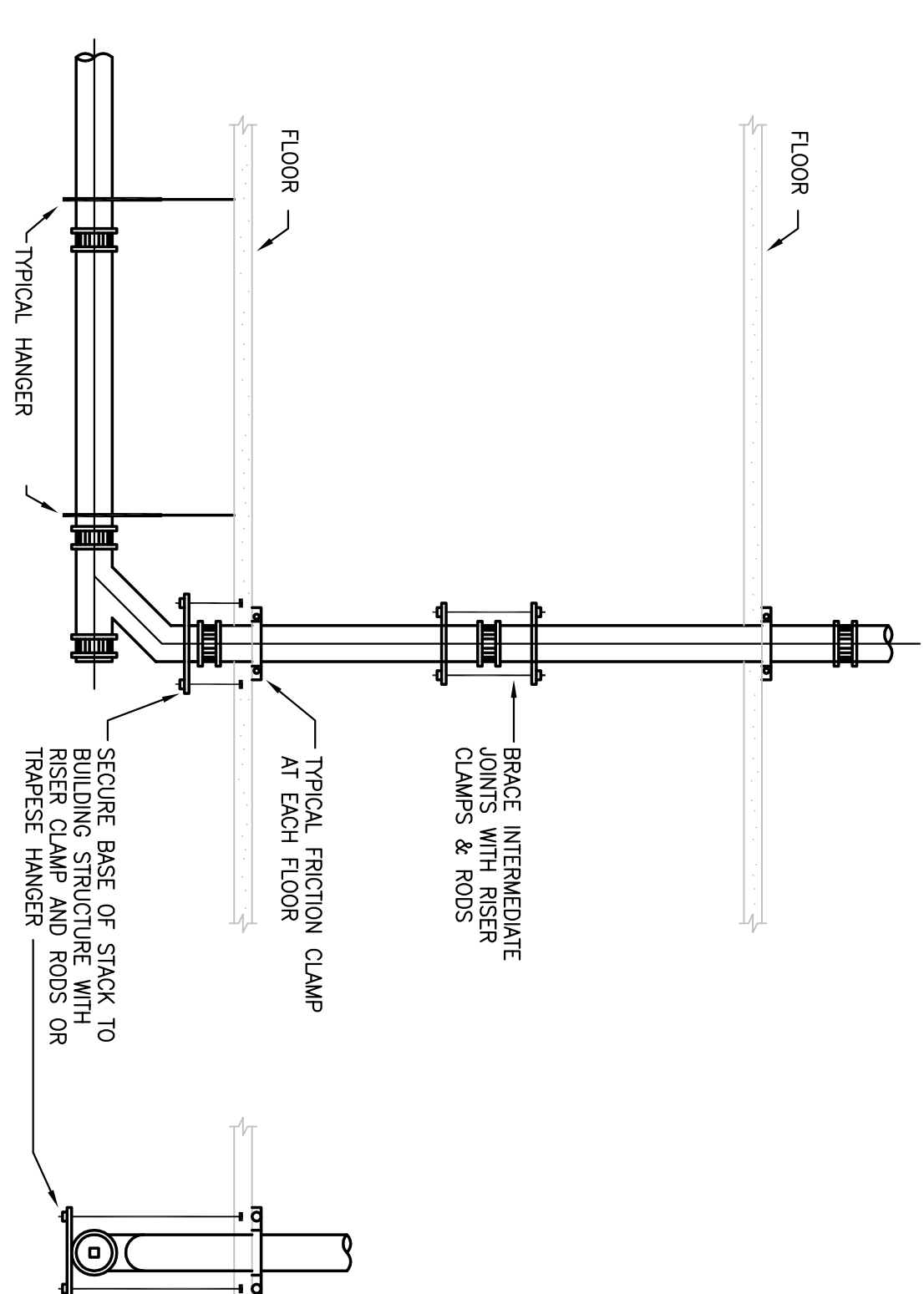
STRUCTURAL ENGINEER  
ROBERT EDWARD CHESTER ASSOCIATES,  
119 COLTIER AVENUE  
ARNDORF, PA 19003  
P (610) 445-9570  
F (610) 445-9572

M/E/P ENGINEER

**AKF**

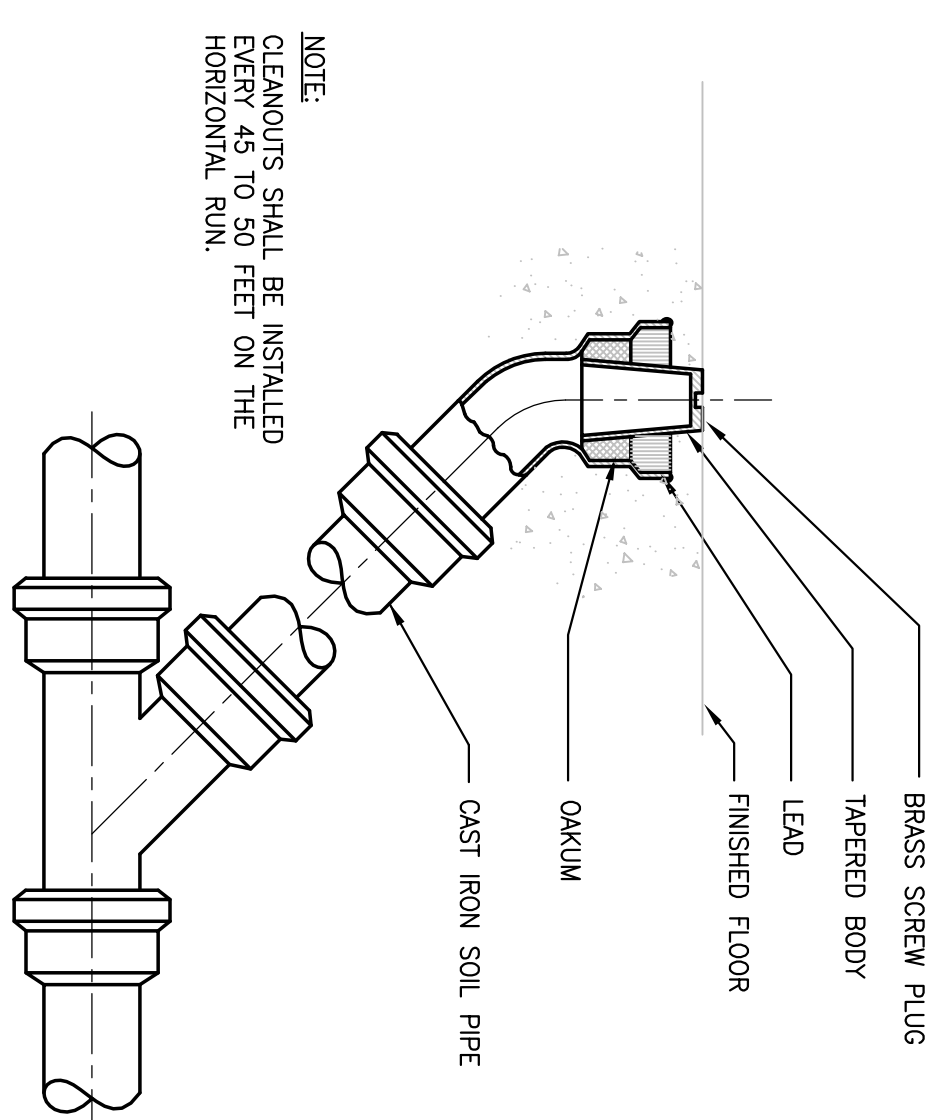
*engineers*  
150 WALNUT STREET, SUITE 1400  
PHILADELPHIA, PA 19102  
215-251-7280/TEL 215-516-0616/FAX  
215-516-0616  
ADMINISTRATIVE SERVICES: 215-516-0616  
www.akf-engineers.com

Revisions  
11-20-06 CONSTRUCTION DOCUMENTS ISSUED

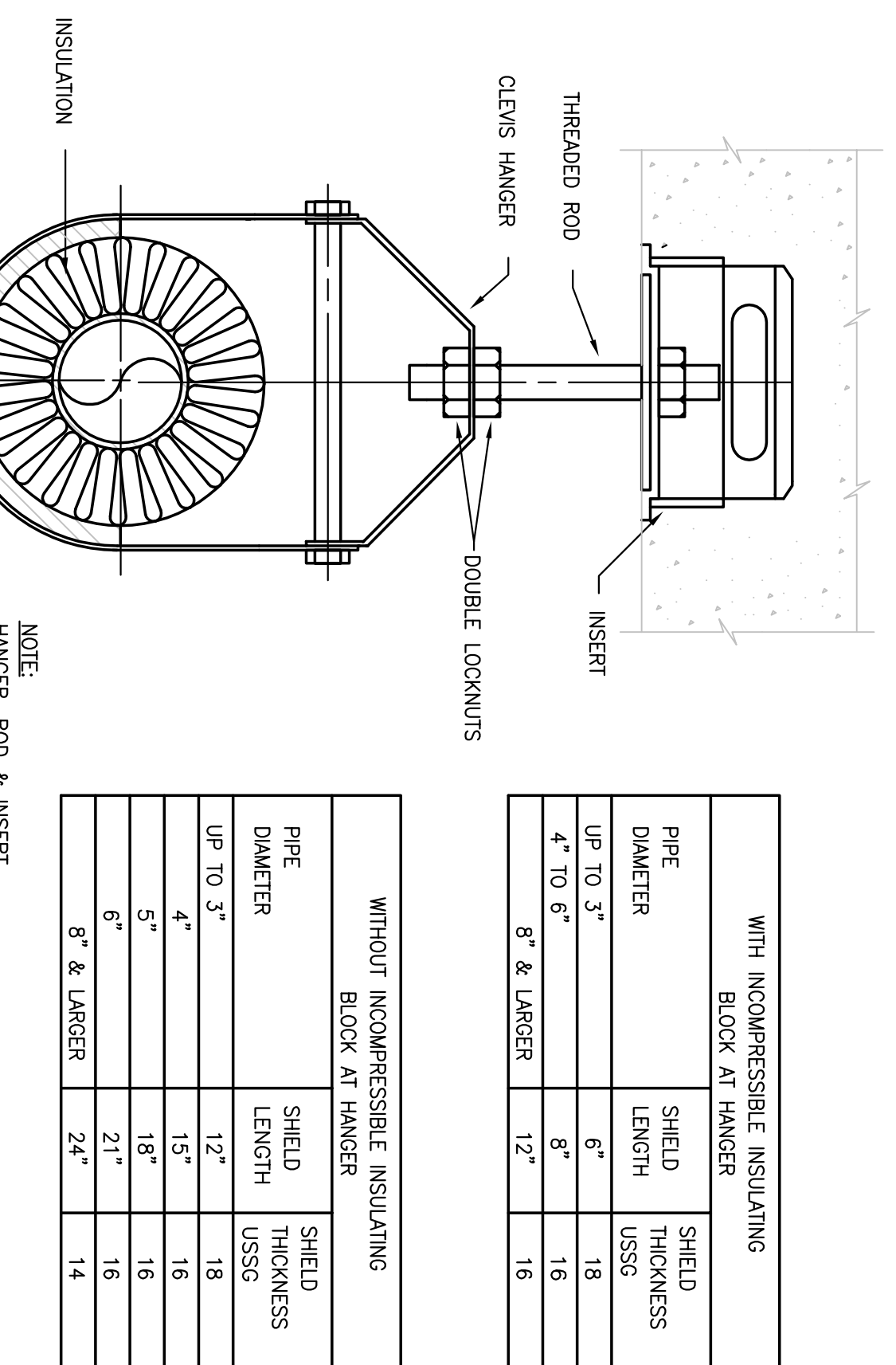
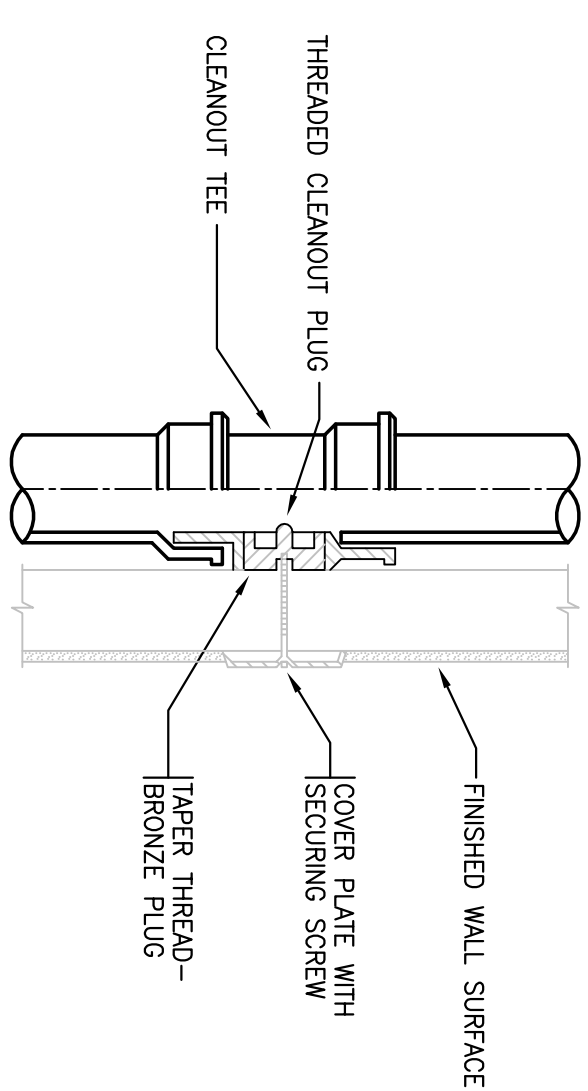


**HUBLESS PIPE BRACING  
FOR VERTICAL PIPING**

**FLOOR CLEANOUT**

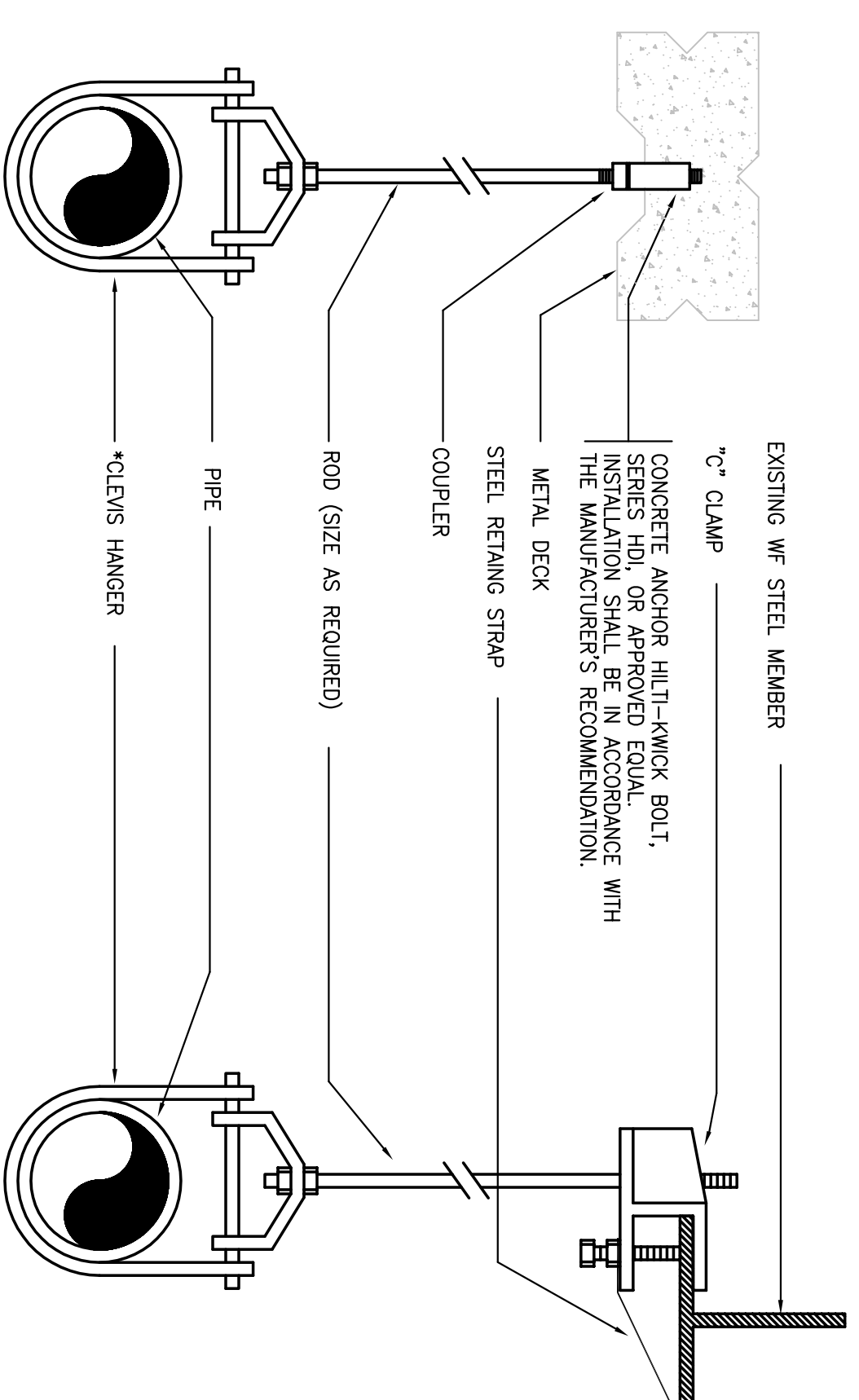


**CLEANOUT FOR DRAINAGE  
CONCEALED BEHIND WALLS**

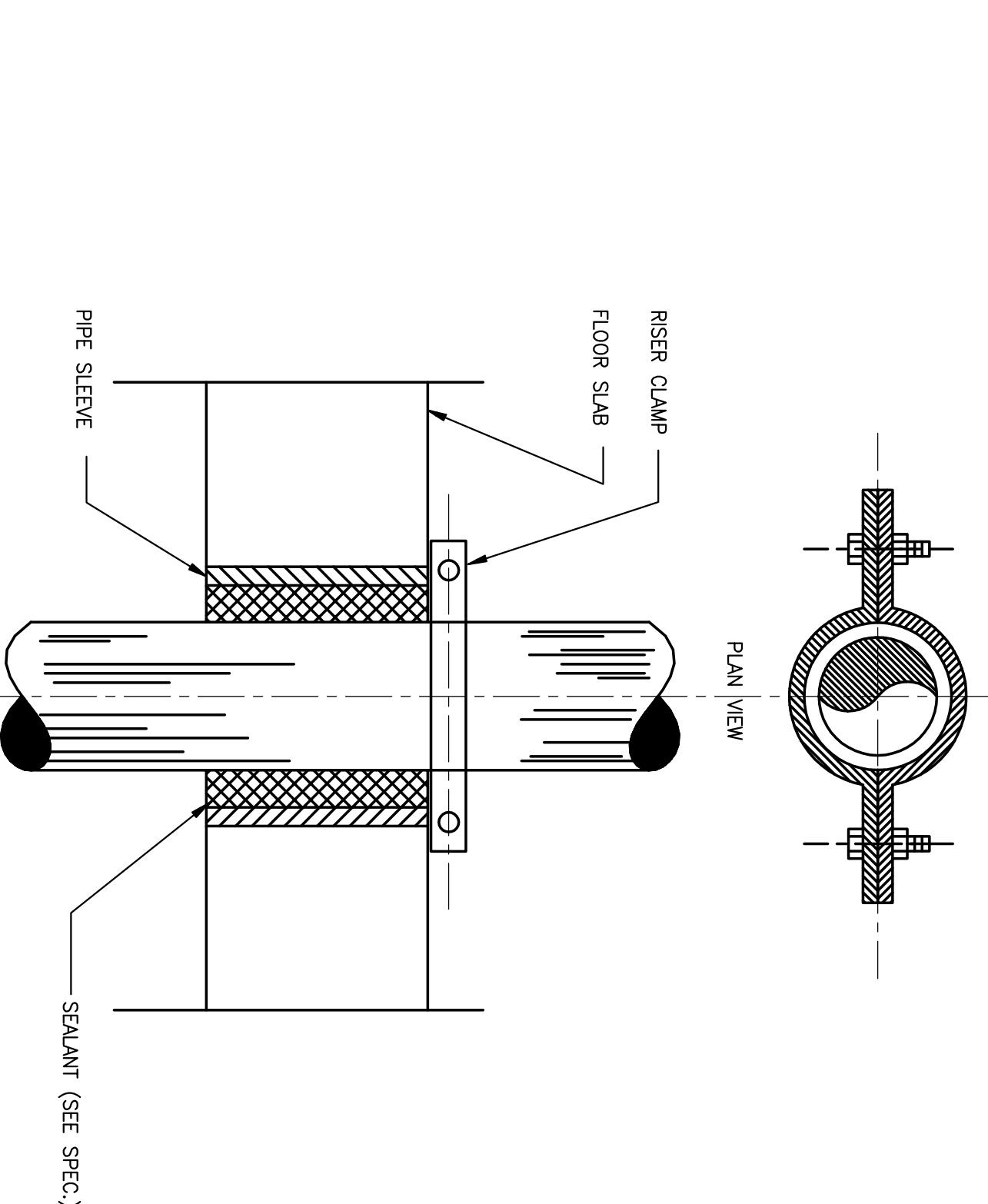


NOTE:  
HANGERS, ROD & INSERT  
SHALL BE DIPPED IN  
ZINC CHROMATE PRIMER  
PRIOR TO INSTALLATION

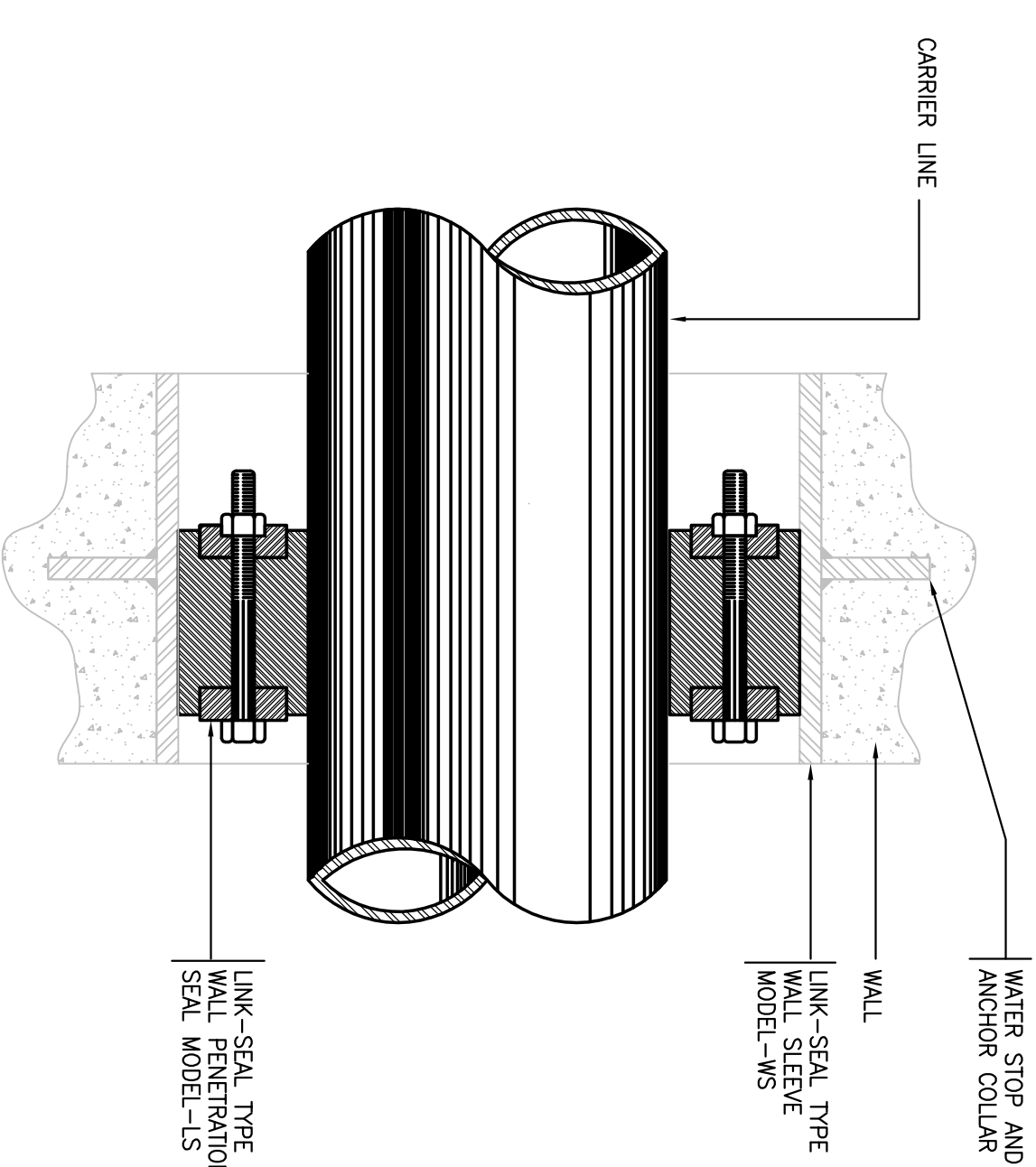
**TYPICAL INSULATED PIPING SUPPORT**



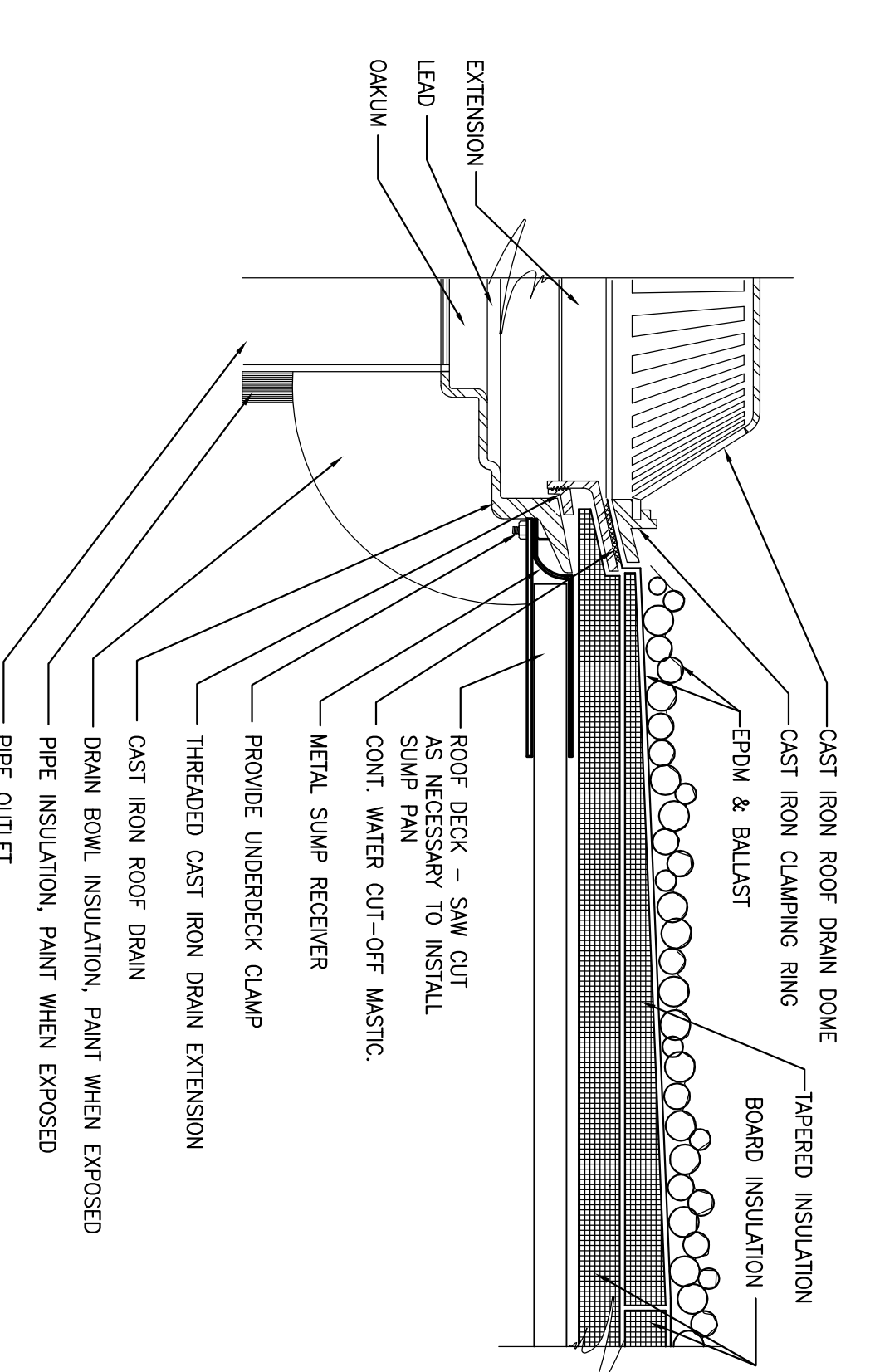
**TYPICAL HANGER DETAIL**



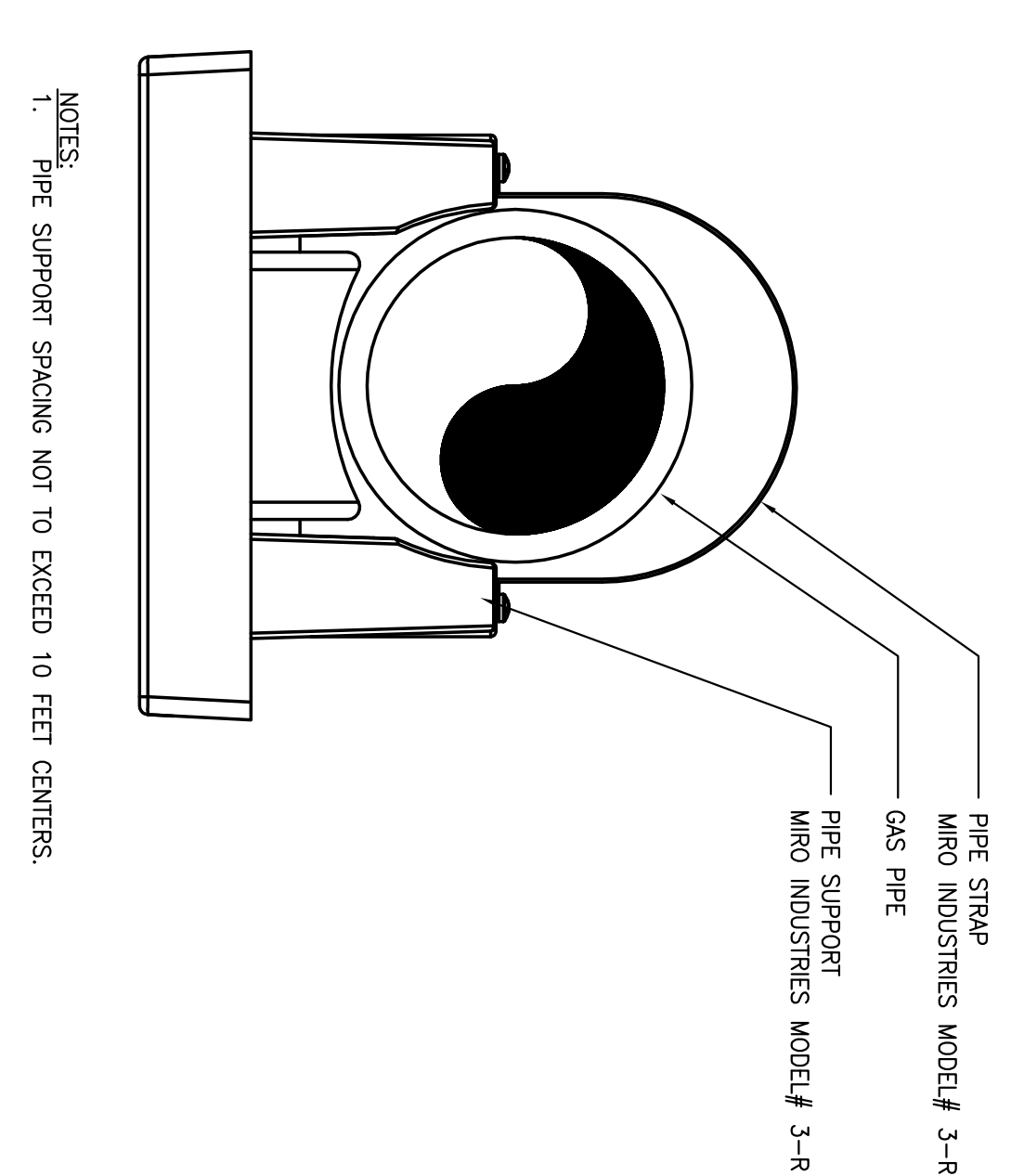
**PIPE SLEEVE THRU FLOOR SLAB**



**LINK-SEAL TYPE WALL  
PENETRATION ASSEMBLY**



**DETAIL OF ROOF DRAIN (POURED  
CONCRETE WITH INSULATION SLOPED)**



**GAS PIPE SUPPORT ON ROOF**

Sheet  
PLUMBING  
DETAILS

Project Title  
**Landmark Healthcare  
Facilities LLC  
Fore River Medical  
Pavilion  
Portland, Maine**

Date  
**NOVEMBER 20, 2006**

Project Number  
**FO8-5103**

Drawing Number

**P5.00**