

Francis

Cauffman

Foley

Hoffmann

Francis Cauffman
Foley Hoffmann
Architects Ltd.
2120 Arch Street
Philadelphia, PA 19103
215-568-8250

STRUCTURAL ENGINEER
ROBERT EDWARD CHESTER ASSOCIATES,
119 COLTIER AVENUE
SARASOTA, PA 19003
P (610) 445-9570
F (610) 445-9572
W/E/P ENGINEER

A I K F

e n g i n e e r s
150 WALNUT STREET, SUITE 1140
PHILADELPHIA, PA 19106
215-252-7280 TEL. 215-5156706 FAX
A/E/P/NOI/NOI/PROVIDOR
ADMINISTRATIVE SERVICES - PHILADELPHIA
ADMINISTRATIVE SERVICES - WILMINGTON

Revisions
11-20-06 CONSTRUCTION DOCUMENTS ISSUED

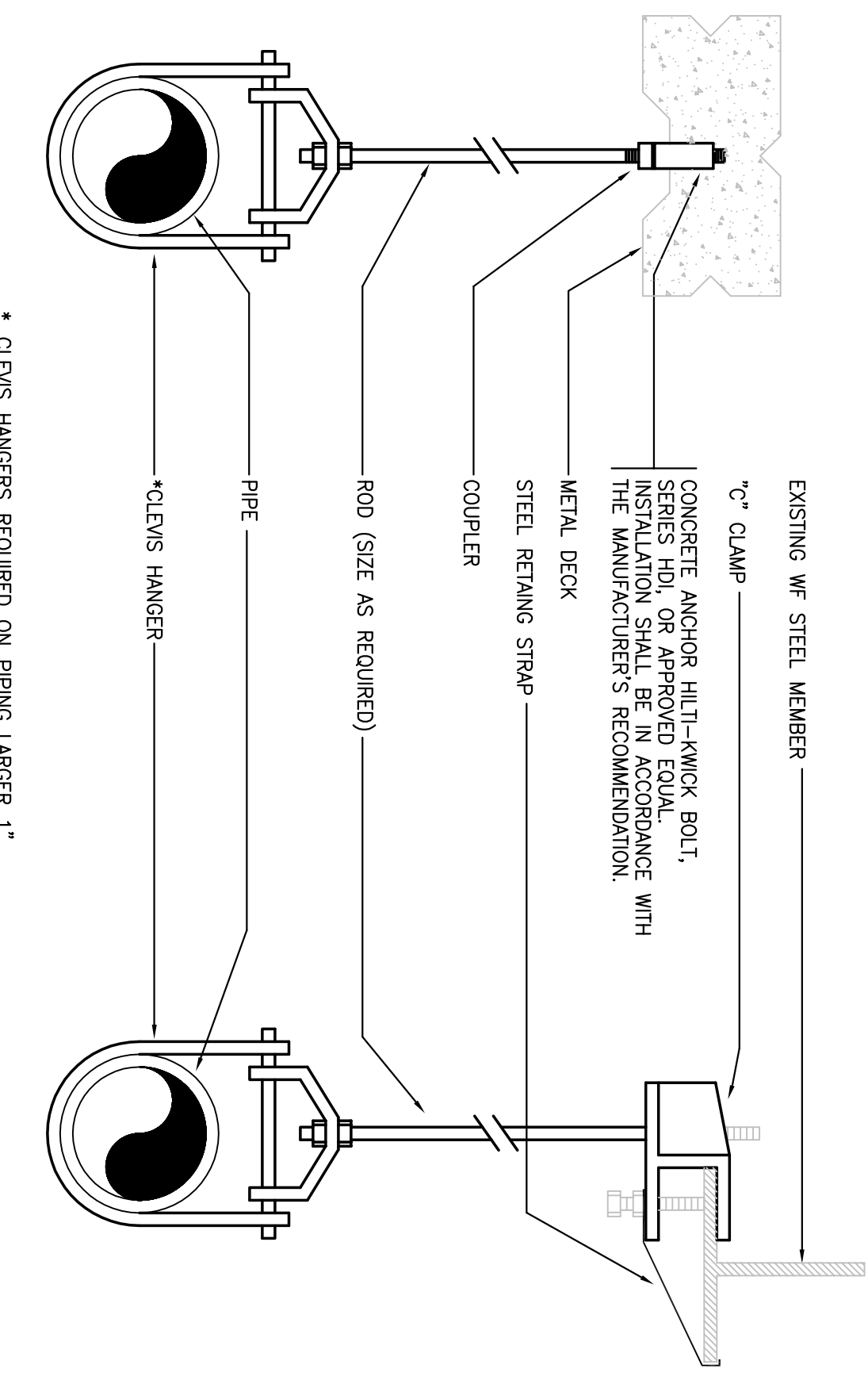
Sheet
FIRE PROTECTION
DETAILS

Project Title
Landmark Healthcare
Facilities LLC
Fore River Medical
Pavilion
Portland, Maine

Date
NOVEMBER 20, 2006

Project Number
FO8-5103

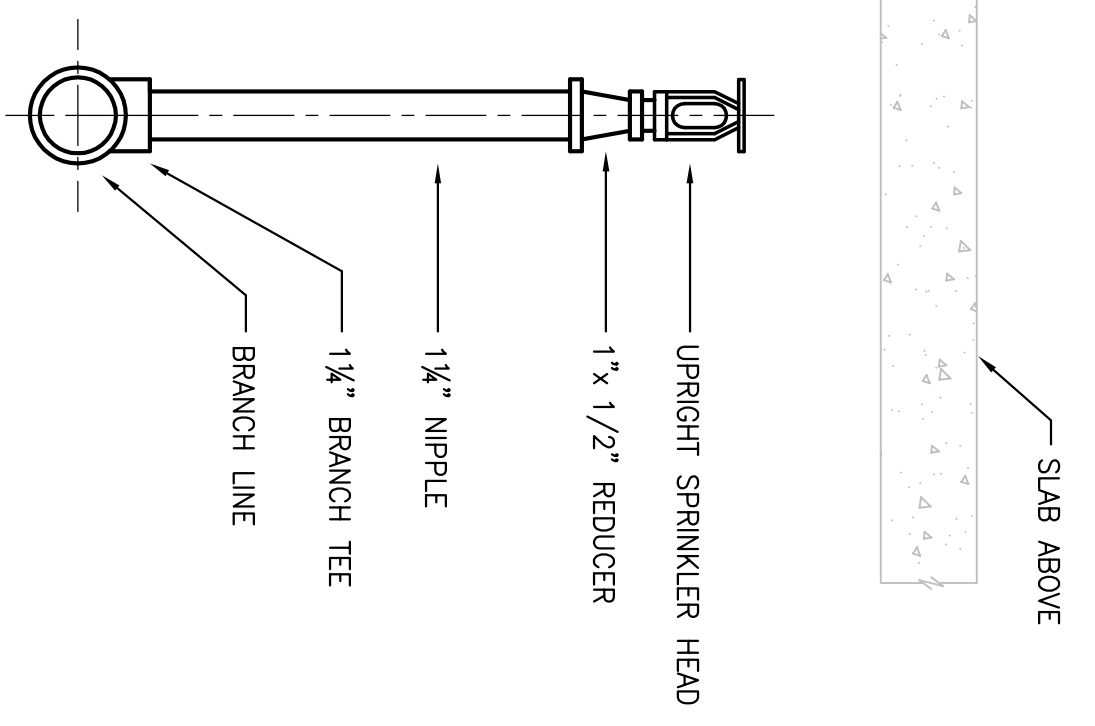
Drawing Number
FP4.00



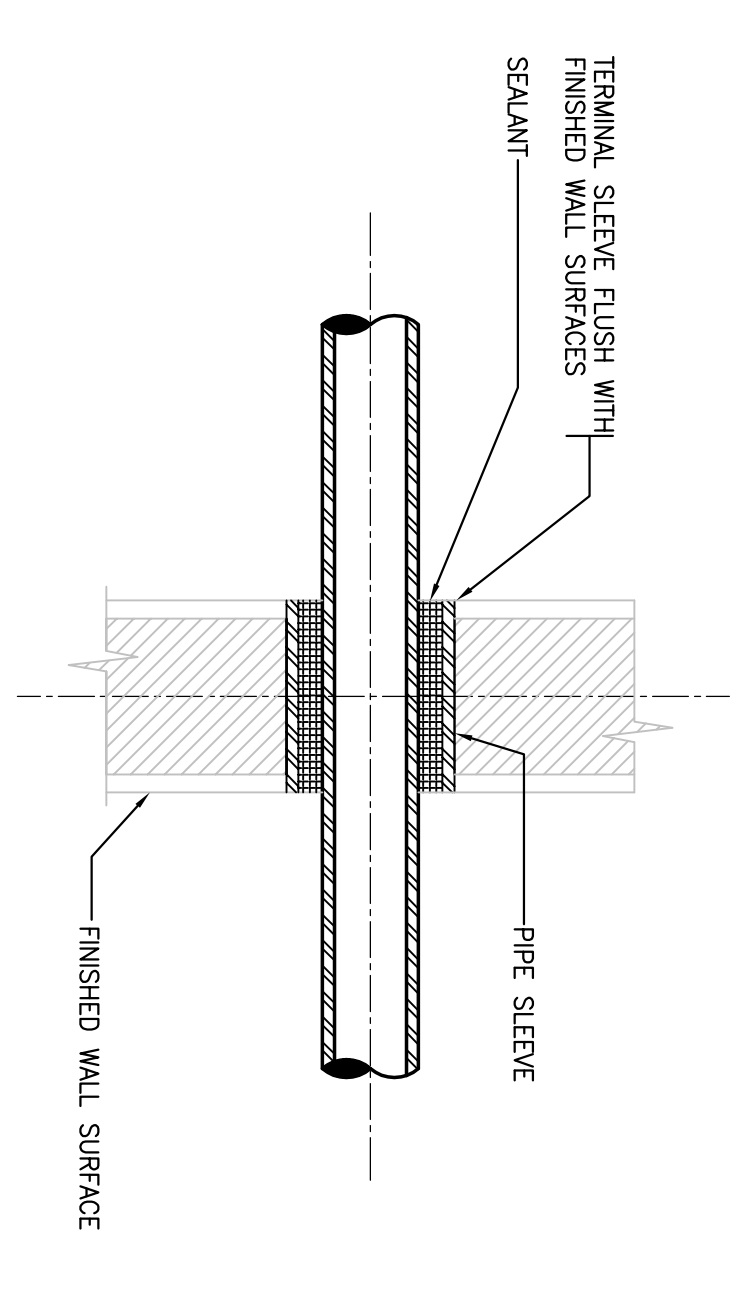
* CLEVIS HANGERS REQUIRED ON PIPING LARGER 1\"/>

GENERAL PURPOSE HANGERS MAY BE USED ON PIPING 1\"/>

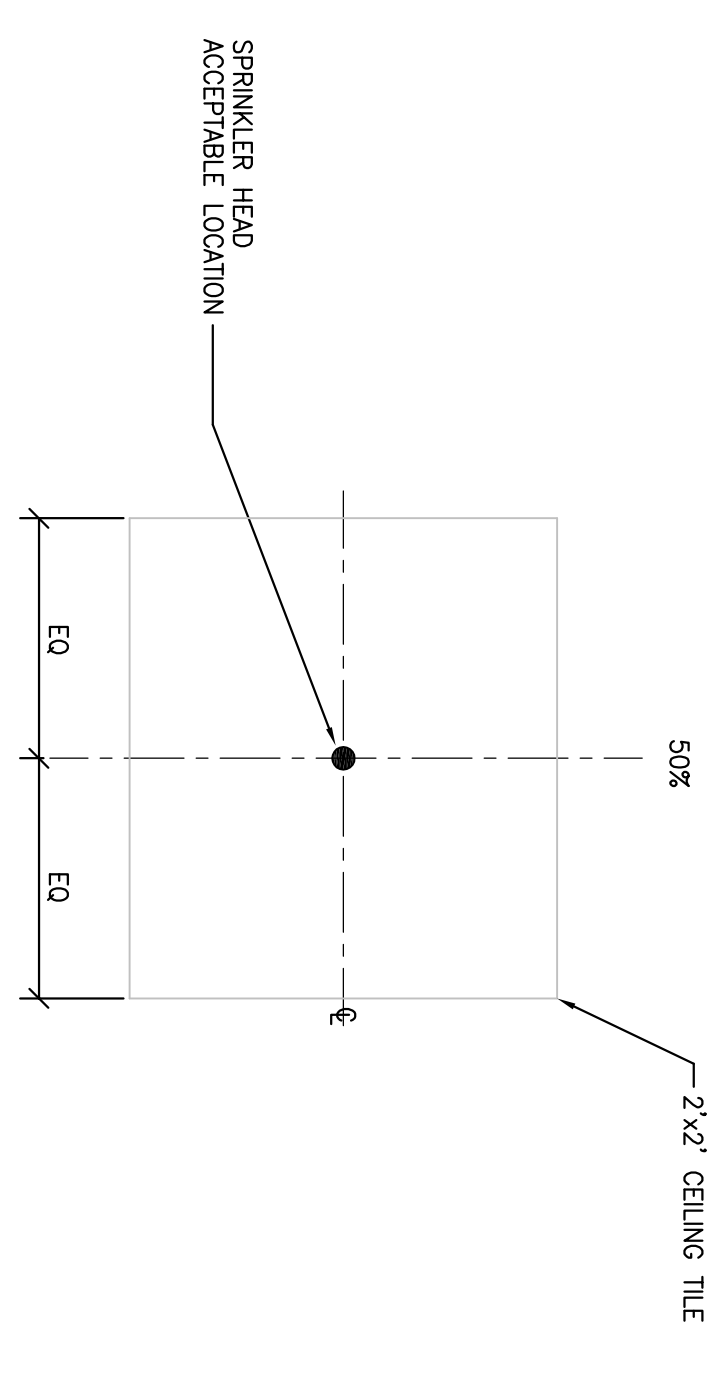
TYPICAL HANGER DETAIL



**UPRIGHT SPRINKLER
HEAD CONNECTION**

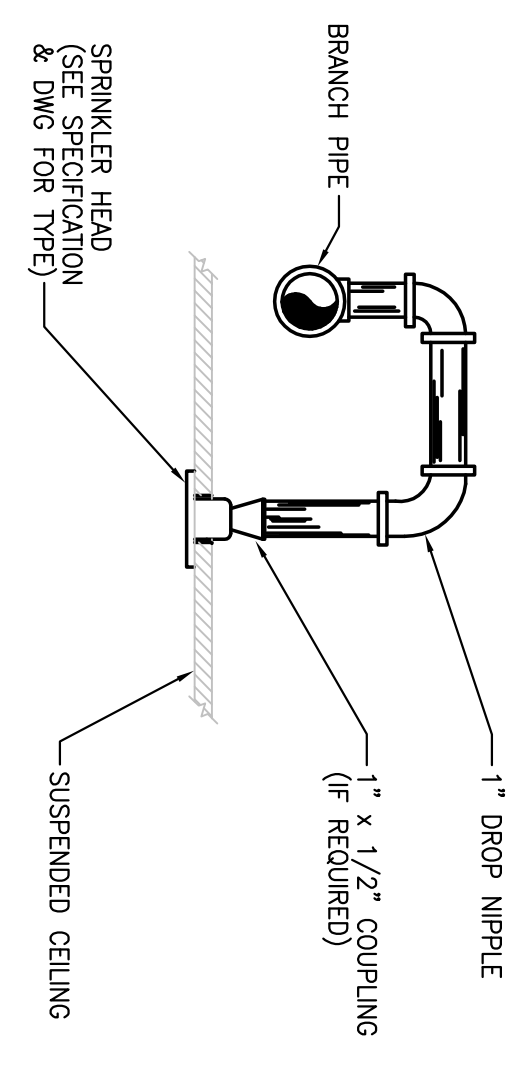


PIPE PENETRATION WITHOUT INSULATION

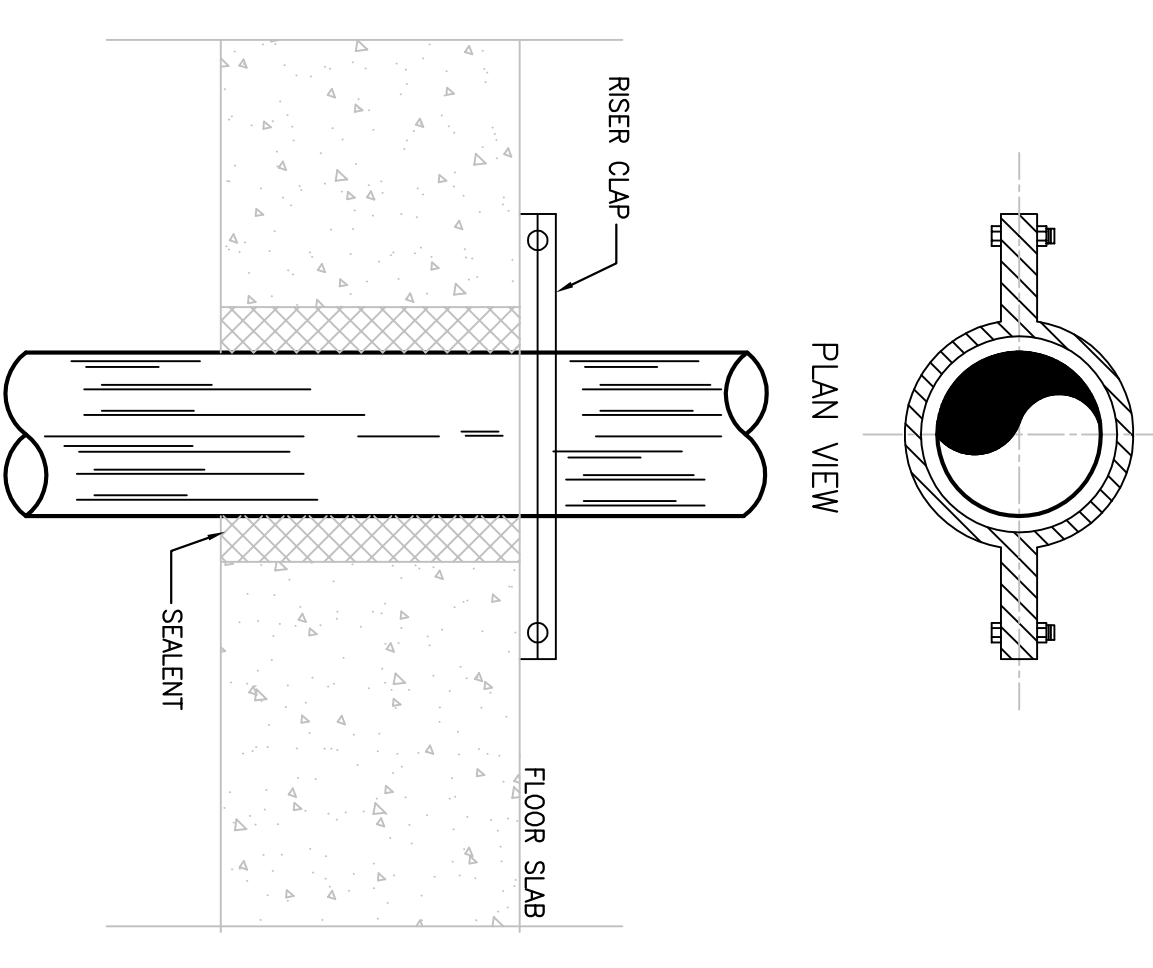


NOTES
1. SPRINKLER SHALL BE ALIGNED IN A TRIE AXIS LINE IN BOTH DIRECTIONS WITH A MAXIMUM DEVIATION OF 1/2 INCH IN EITHER DIRECTION U.O.N.

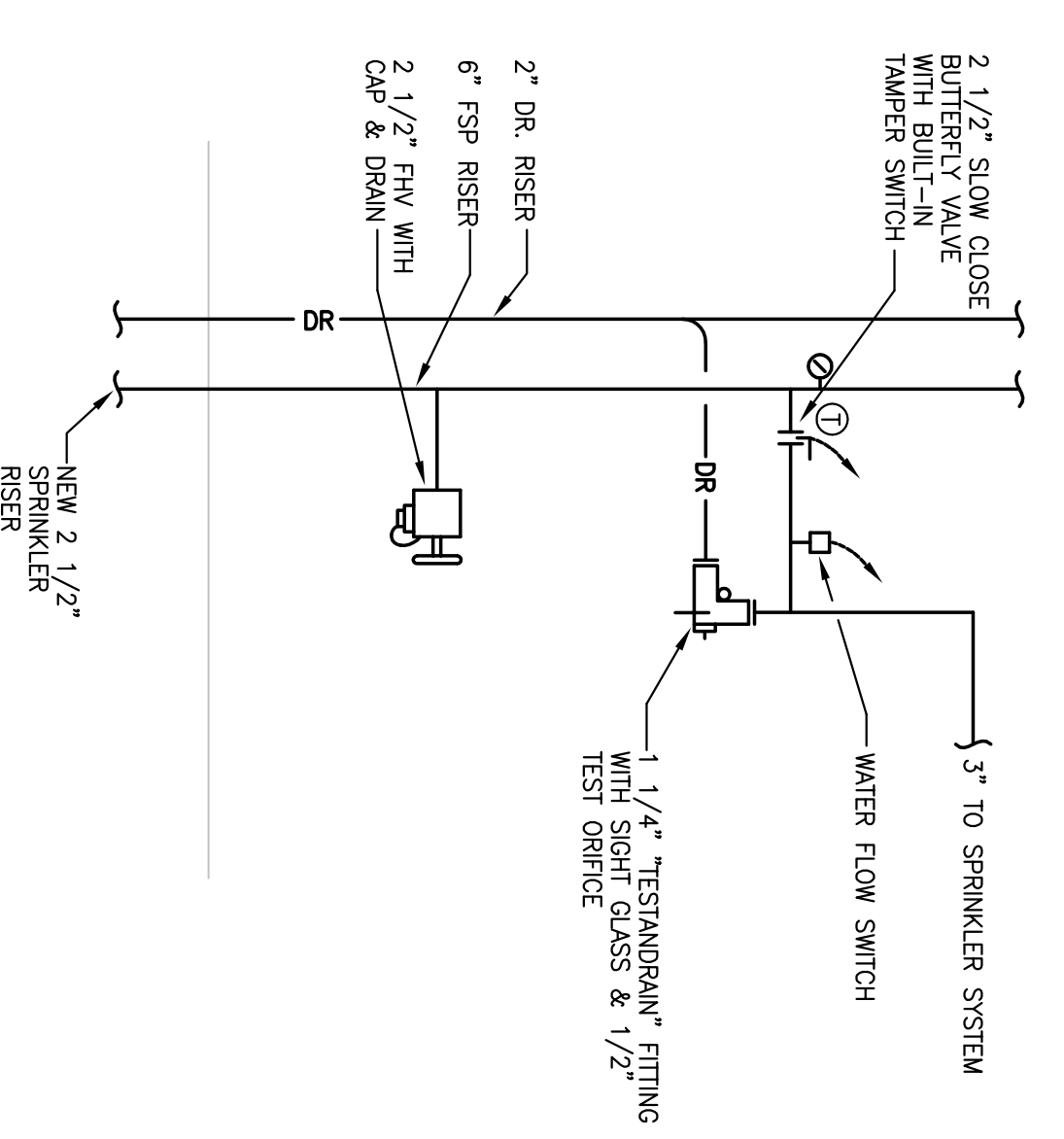
**SPRINKLER HEAD
LOCATION IN TILE**



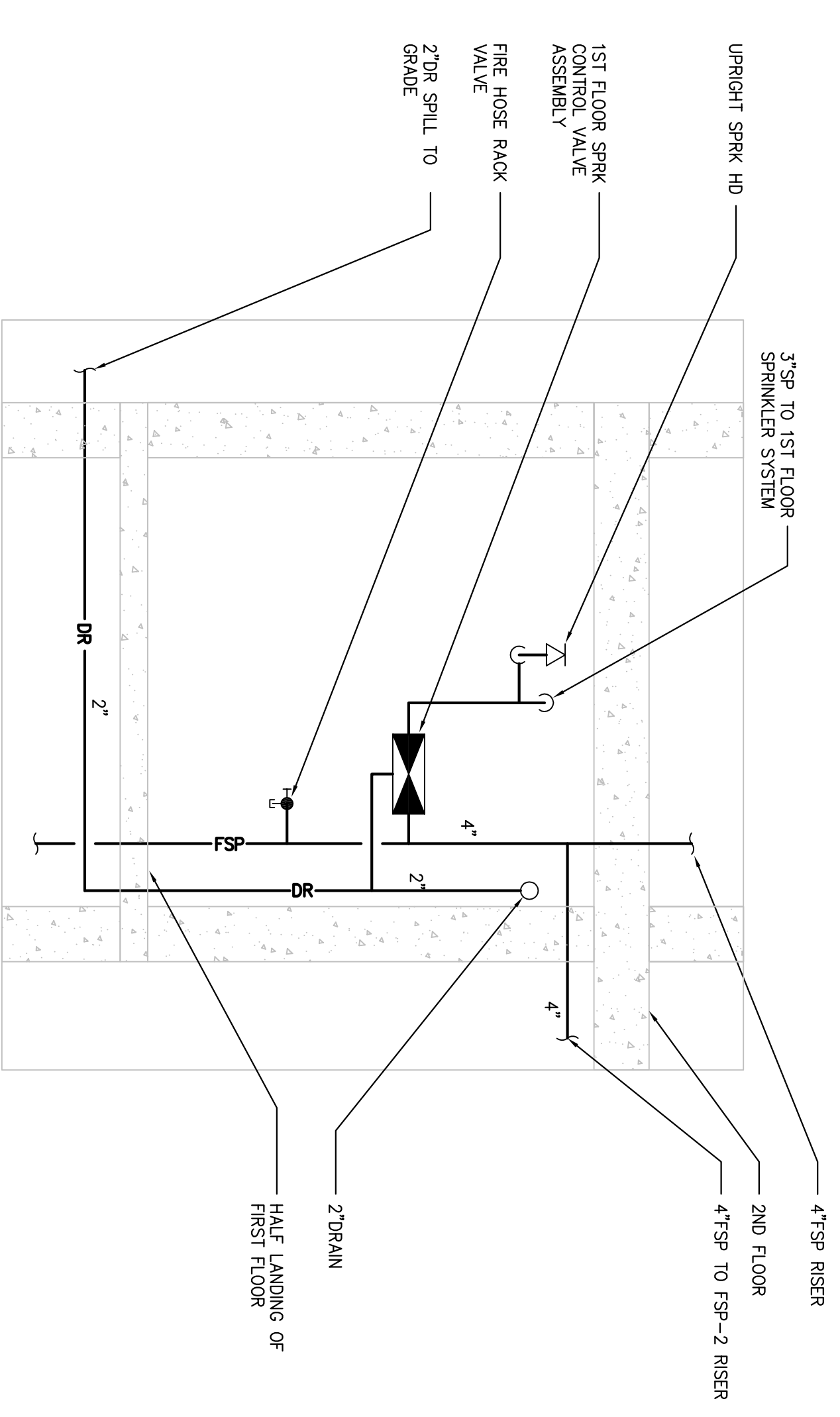
SPRINKLER HEAD CONNECTION



PIPE SLEEVE THRU FLOOR SLAB



**SPRINKLER FLOOR CONTROL VALVE
WITH TEST & DRAIN ASSEMBLY**



NOTE:
1. INSTALL CONTROL VALVE ASSEMBLY AS TIGHT TO WALL AS POSSIBLE.

**FIRST FLOOR FIRE PROTECTION
RISER SECTION "A"-2**