

Francis

Caufman

Foley

Hoffmann

Francis Cauffman 2120 Arch Street
 Philadelphia, PA 19103
 Architects Ltd. 215-588-8250

STRUCTURAL ENGINEER

178 COLLEGE AVENUE, SUITE 100
 PHILADELPHIA, PA 19102
 P (610) 644-8570
 F (610) 644-8572

M/E/P ENGINEER
 1500 MARKET STREET, SUITE 1400
 PHILADELPHIA, PA 19102
 P 215-252-2106
 F 215-252-2106

Revisions
 11-20-06 CONSTRUCTION DOCUMENTS ISSUED

Sheet
WINDOW DETAILS

Project Title

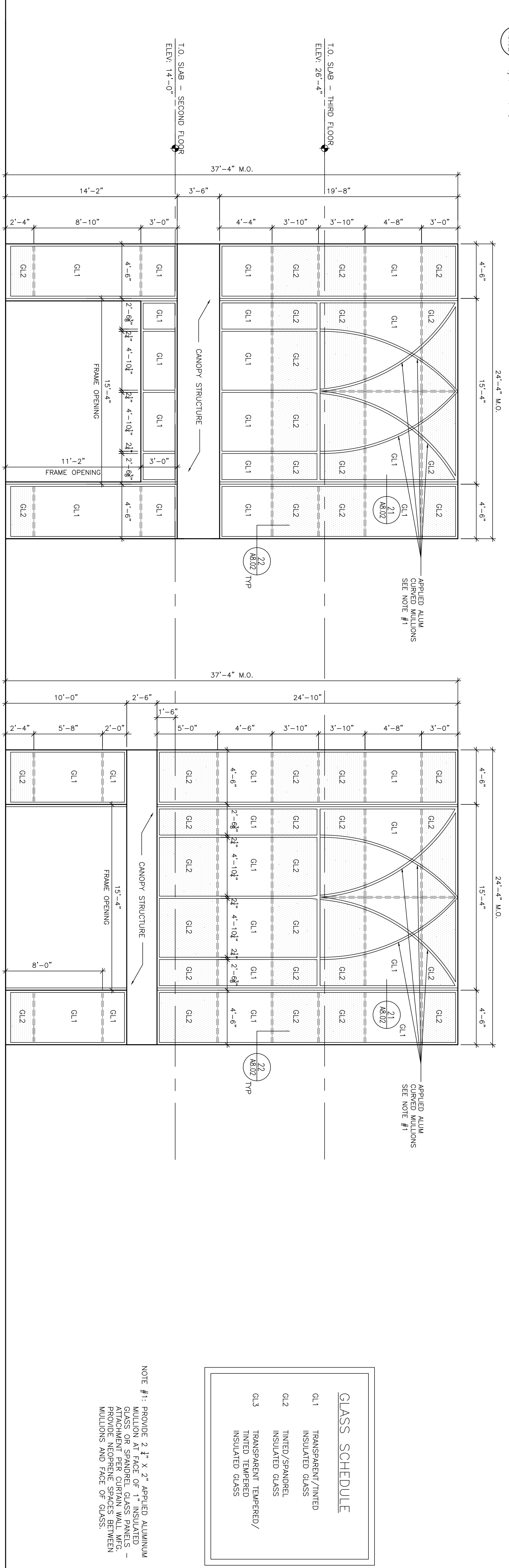
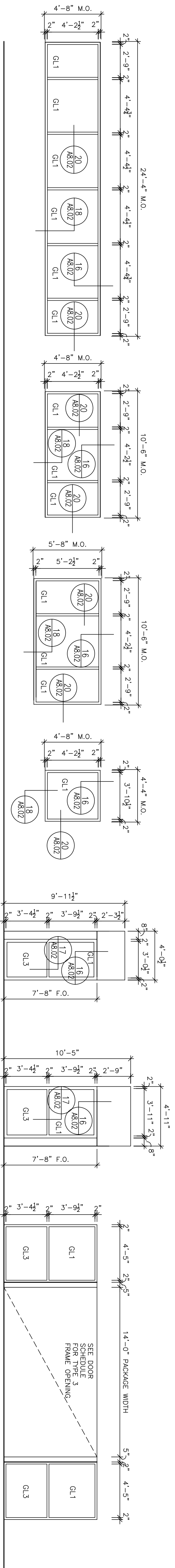
Landmark Healthcare
 Facilities LLC
 Fore River Medical
 Pavilion
 Portland, Maine

Date
 NOVEMBER 20, 2006

Project Number
 F06-5103

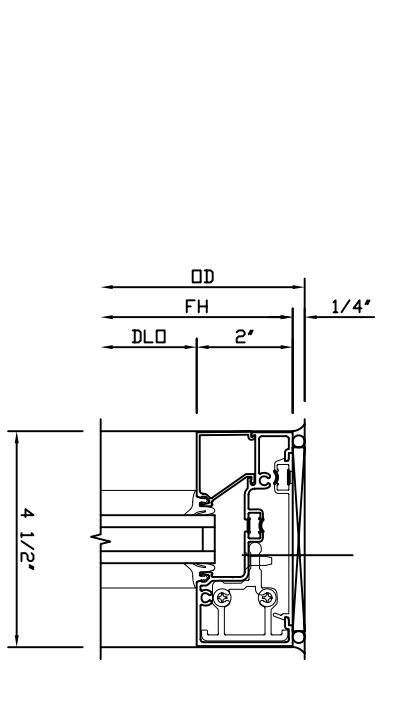
Drawing Number

A8.02

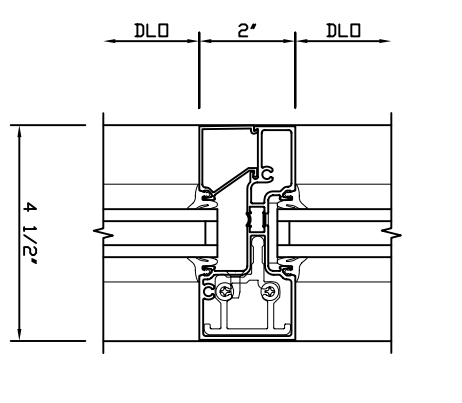


GLASS SCHEDULE	
GL1	TRANSPARENT/TINTED INSULATED GLASS
GL2	TINTED/SPANDREL INSULATED GLASS
GL3	TRANSPARENT TEMPERED/SPANDREL INSULATED GLASS

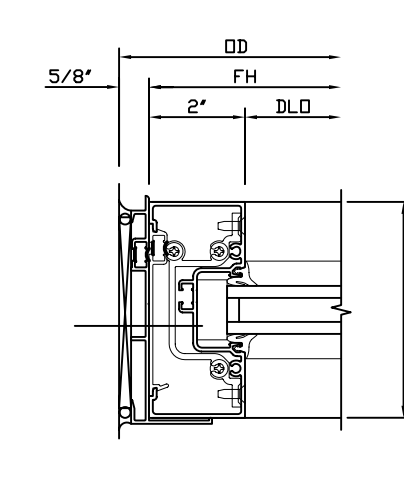
NOTE #1: PROVIDE 2 1/4" x 2" APPLIED ALUMINUM ANGLE TO CURTAIN WALL GLASS OR SPANDREL GLASS PANELS - ATTACHMENT PER CURTAIN WALL MFG. PROVIDE NEGATIVE SPACES BETWEEN MULLIONS AND FACE OF GLASS.



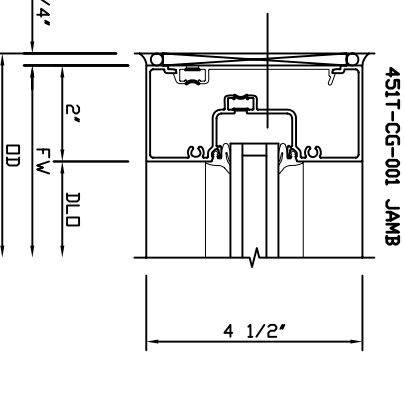
16 HEAD DETAIL
 3/4" = 1'-0"



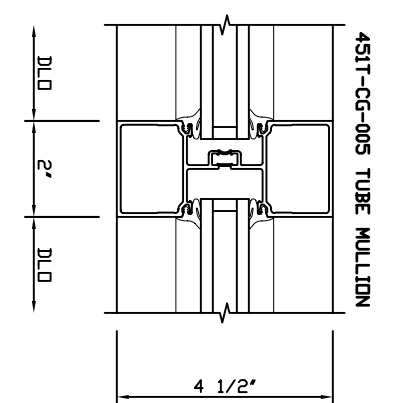
17 HORIZONTAL MULLION DETAIL
 3/4" = 1'-0"



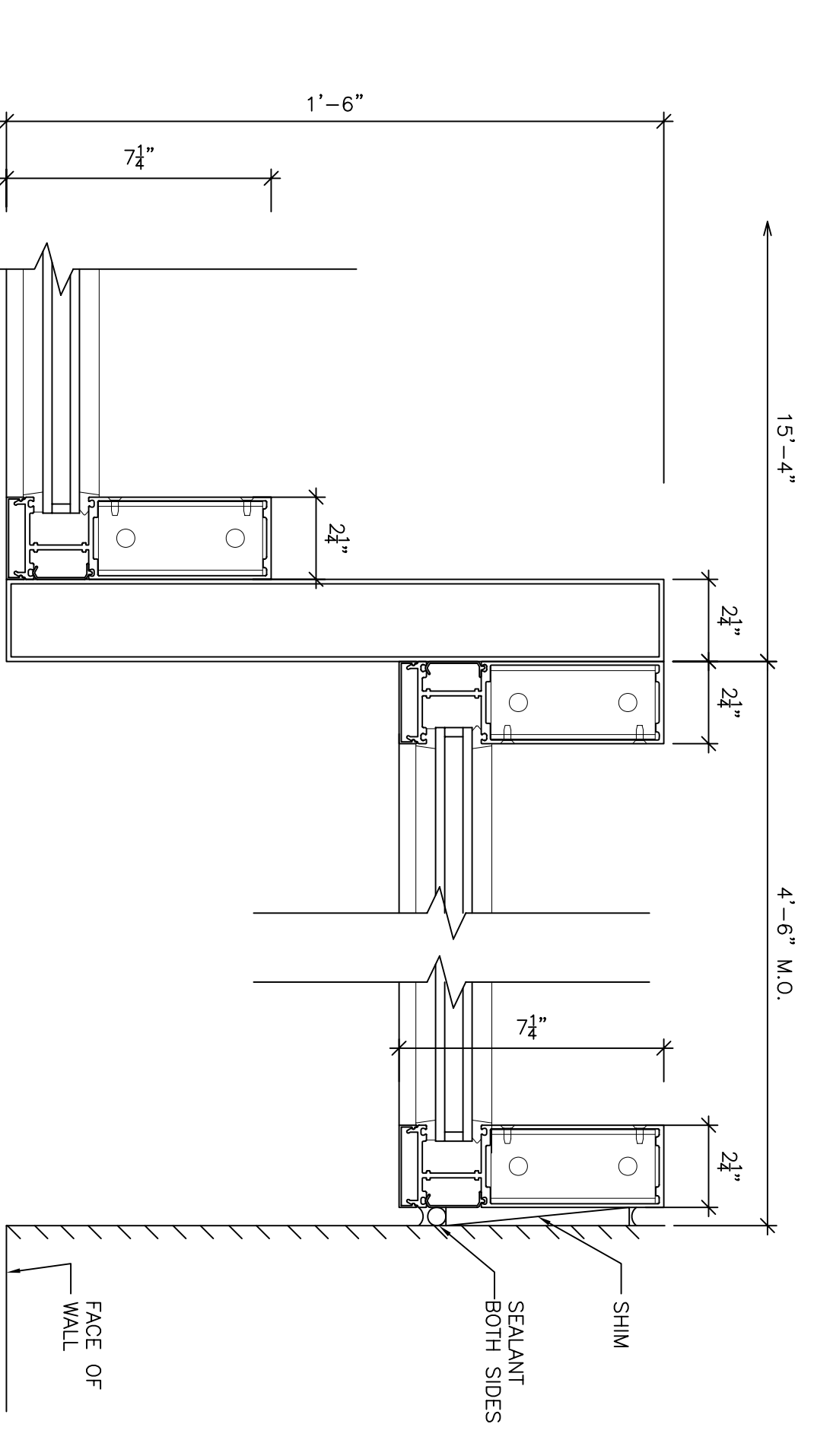
18 SILL DETAIL
 3/4" = 1'-0"



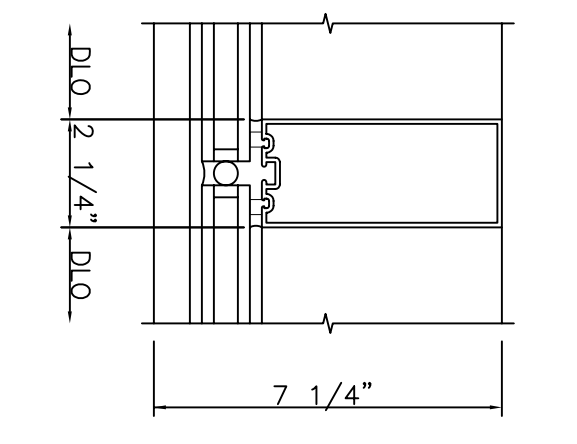
19 JAMB DETAIL
 3/4" = 1'-0"



20 VERTICAL MULLION DETAIL
 3/4" = 1'-0"



21 MULLION DETAIL
 3/4" = 1'-0"



22 HORIZONTAL BUTT GLAZED MULLION
 3/4" = 1'-0"