

**Francis**  
2120 Arch Street  
Philadelphia, PA 19103  
Architect, Ltd.

**Foley**  
2120 Arch Street  
Philadelphia, PA 19103  
Architect, Ltd.

**Hoffmann**  
2120 Arch Street  
Philadelphia, PA 19103  
Architect, Ltd.

**M/E/P ENGINEER**  
1500 MARKET STREET, SUITE 1400  
PHILADELPHIA, PA 19102  
P (610) 644-8570  
F (610) 644-8572

**Revisions**  
11-20-06 CONSTRUCTION DOCUMENTS ISSUED

**Sheet**  
PARTITION TYPES

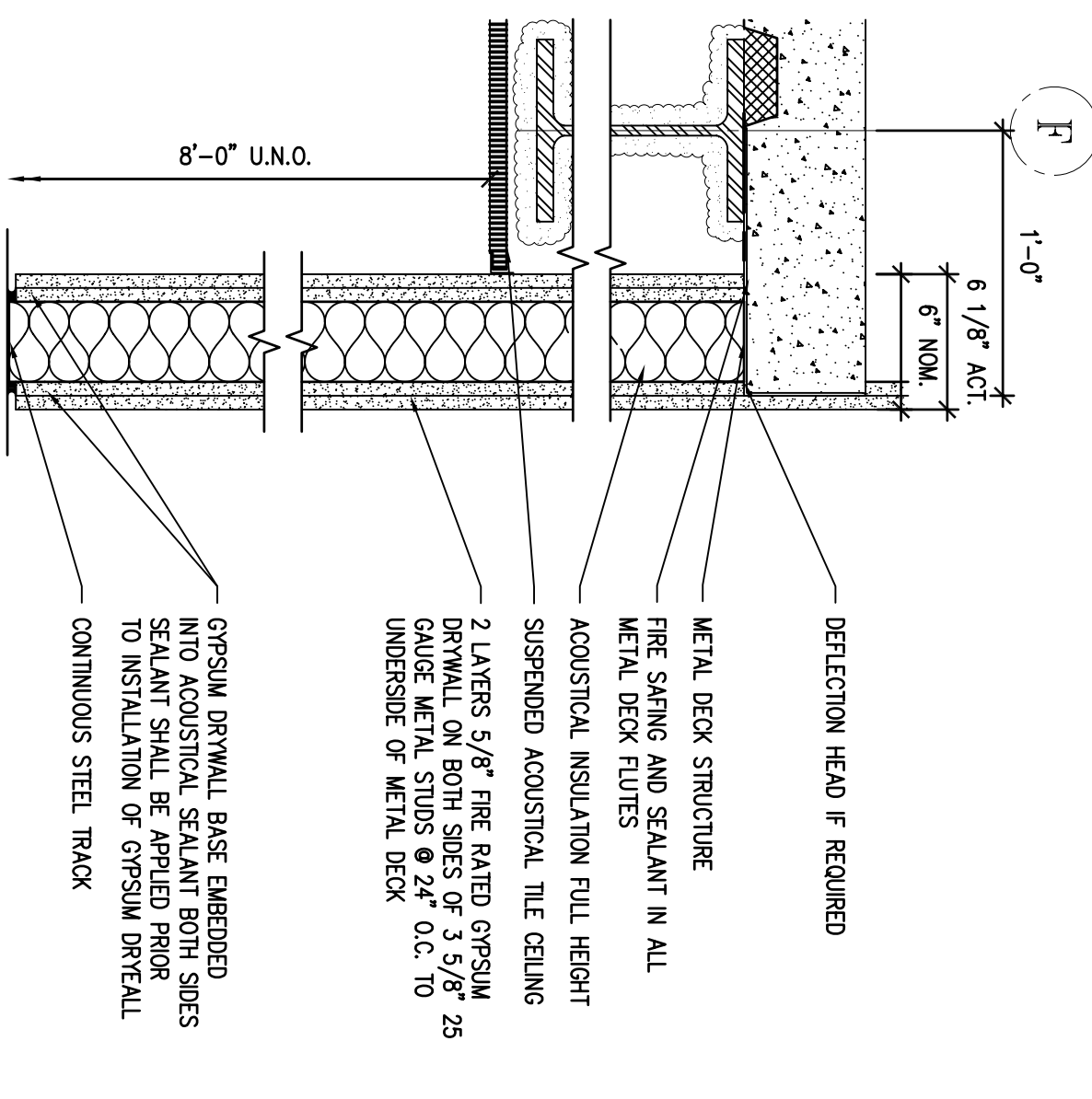
**Project Title**  
Landmark Healthcare  
Facilities LLC  
Fore River Medical  
Pavilion  
Portland, Maine

**Date**  
NOVEMBER 20, 2006

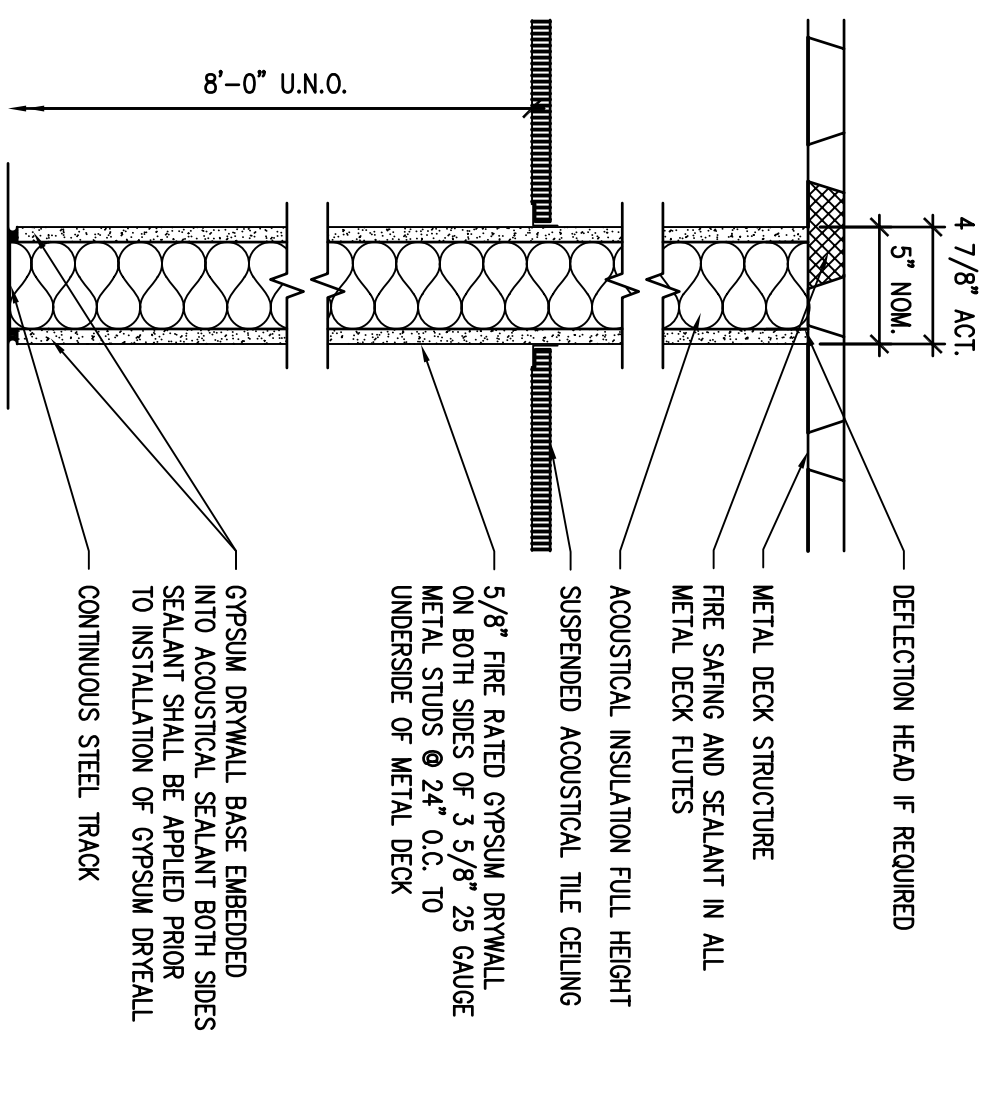
**Project Number**  
F06-5103

**Drawing Number**

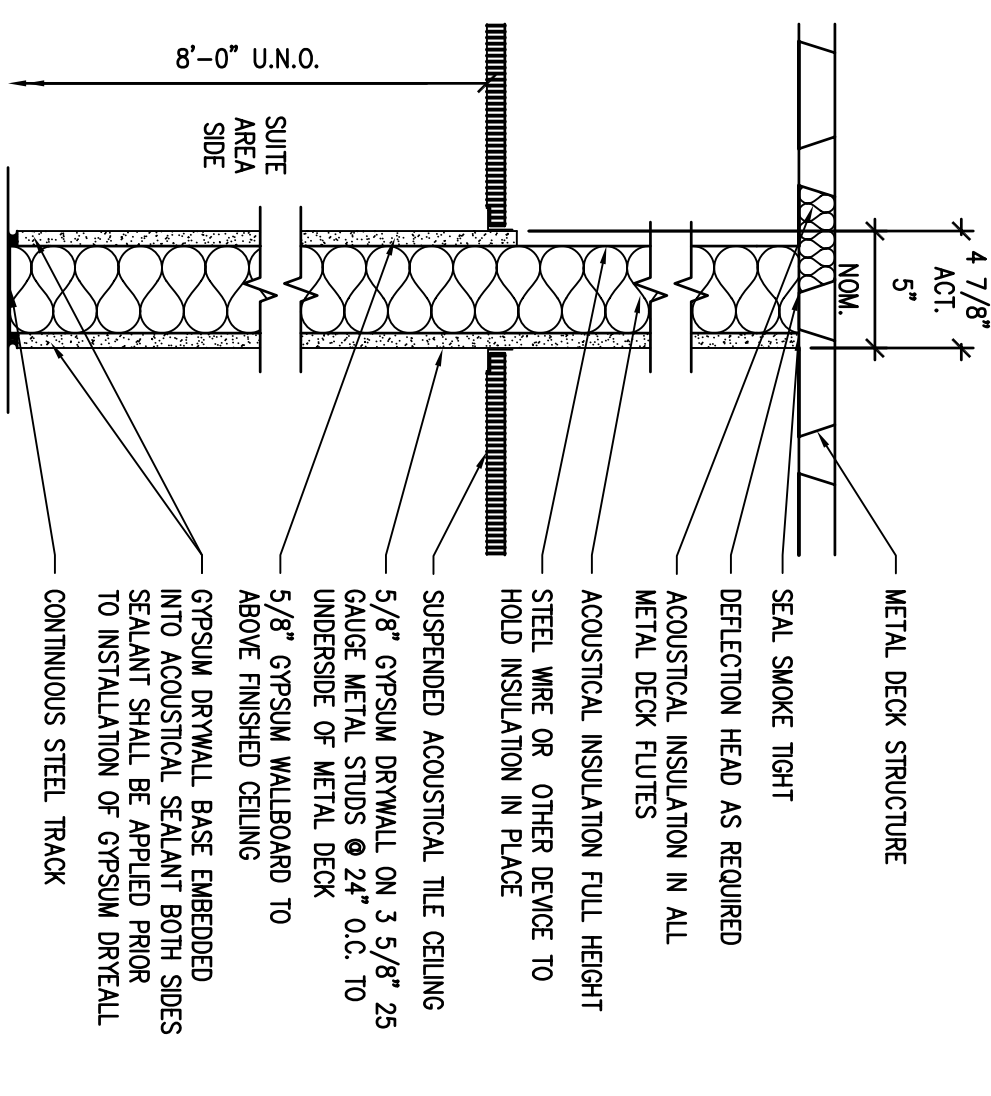
**A8.01**



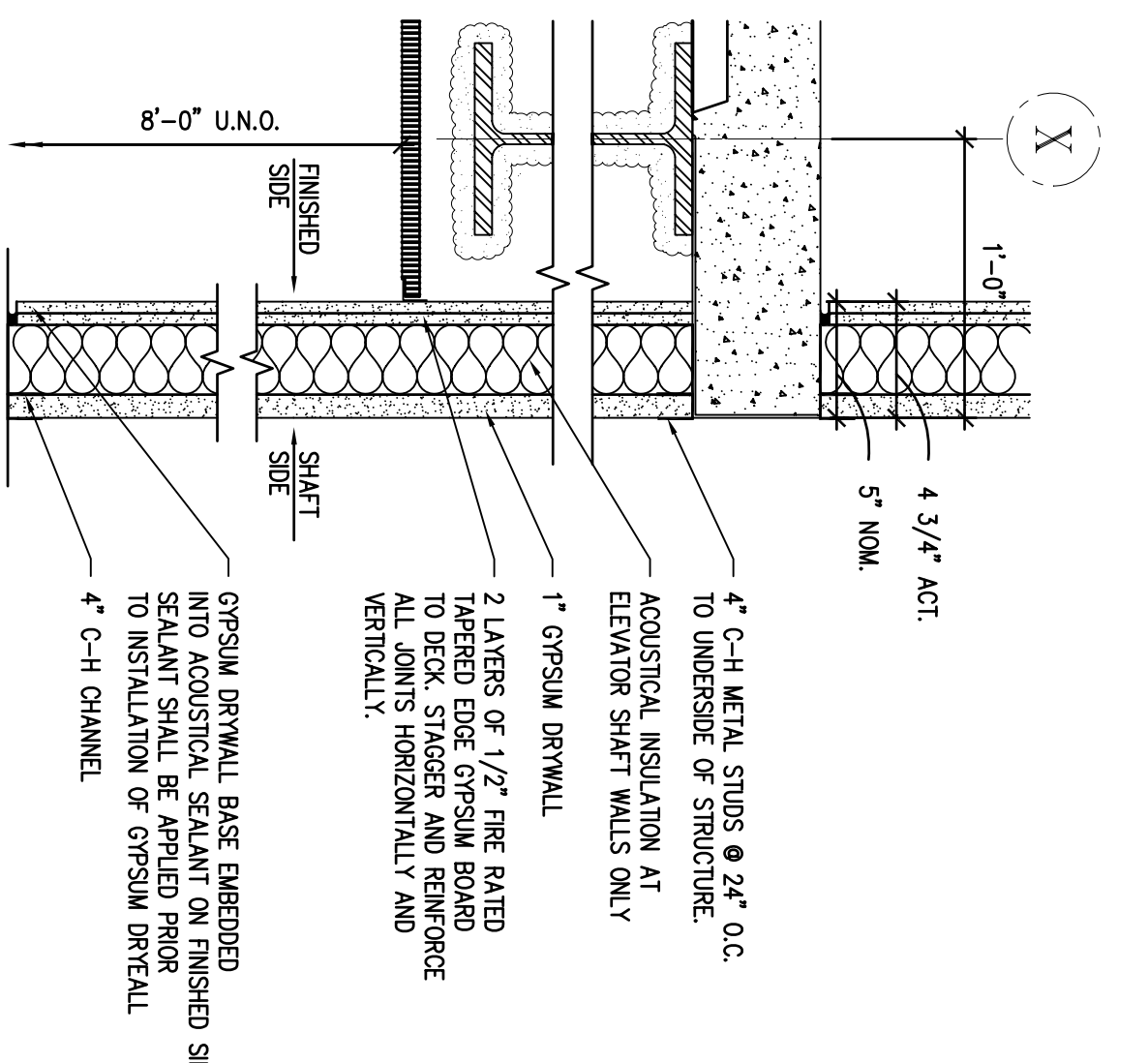
**F** TWO HOUR RATED PARTITION  
SCALE 1 1/2" = 1'-0"  
MUST MEET UL DESIGN NO. U447 OR EQUAL



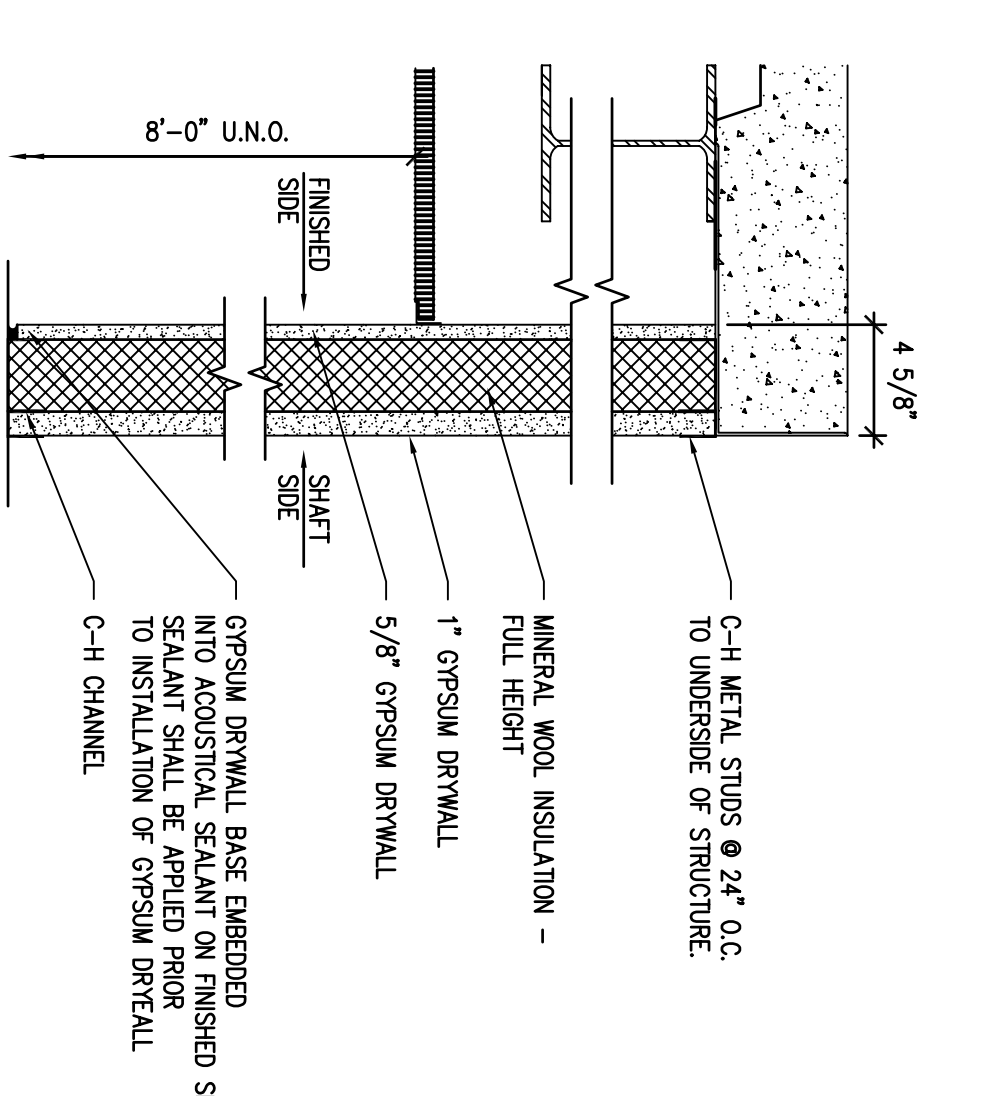
**B** ONE HOUR RATED PARTITION  
SCALE 1 1/2" = 1'-0"  
MUST MEET UL DESIGN NO. U463 OR EQUAL



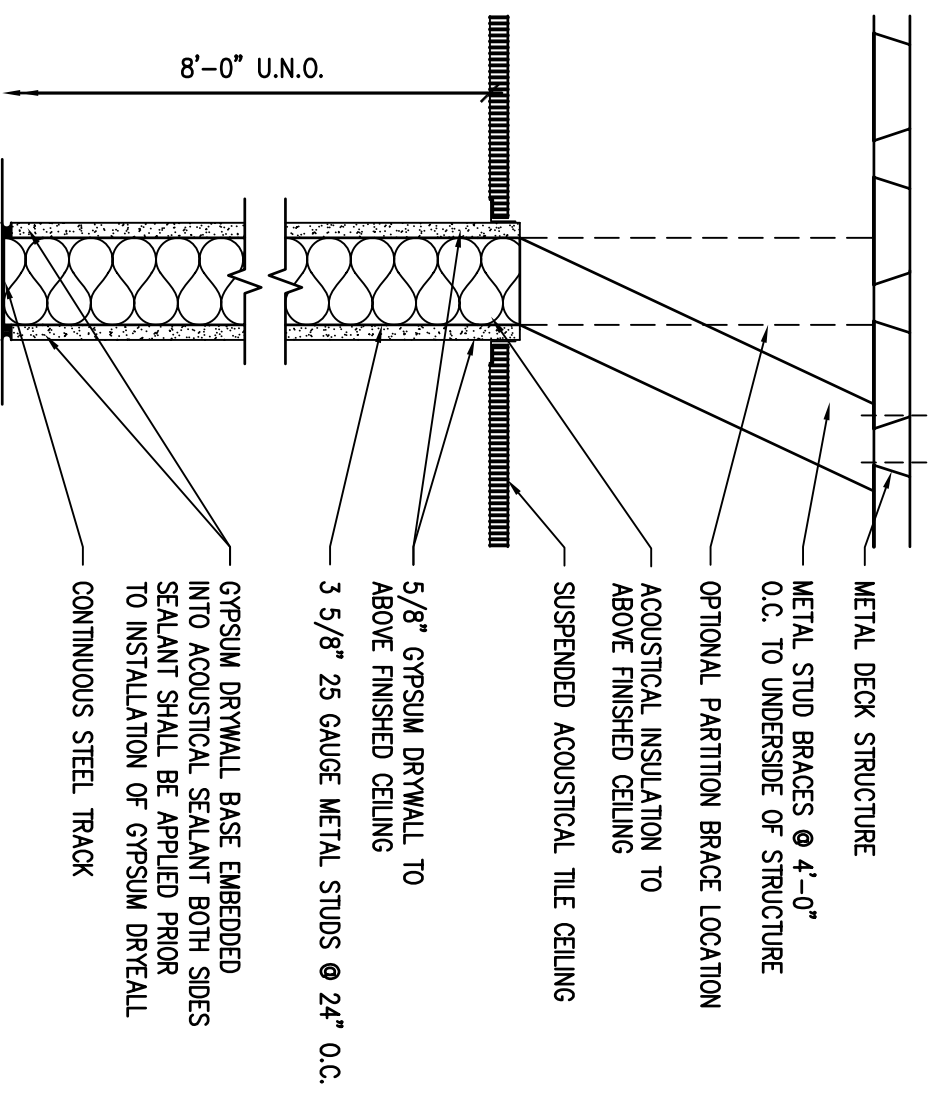
**C** FULL HEIGHT PARTITION  
SCALE 1 1/2" = 1'-0"  
MUST MEET UL DESIGN NO. U463 OR EQUAL



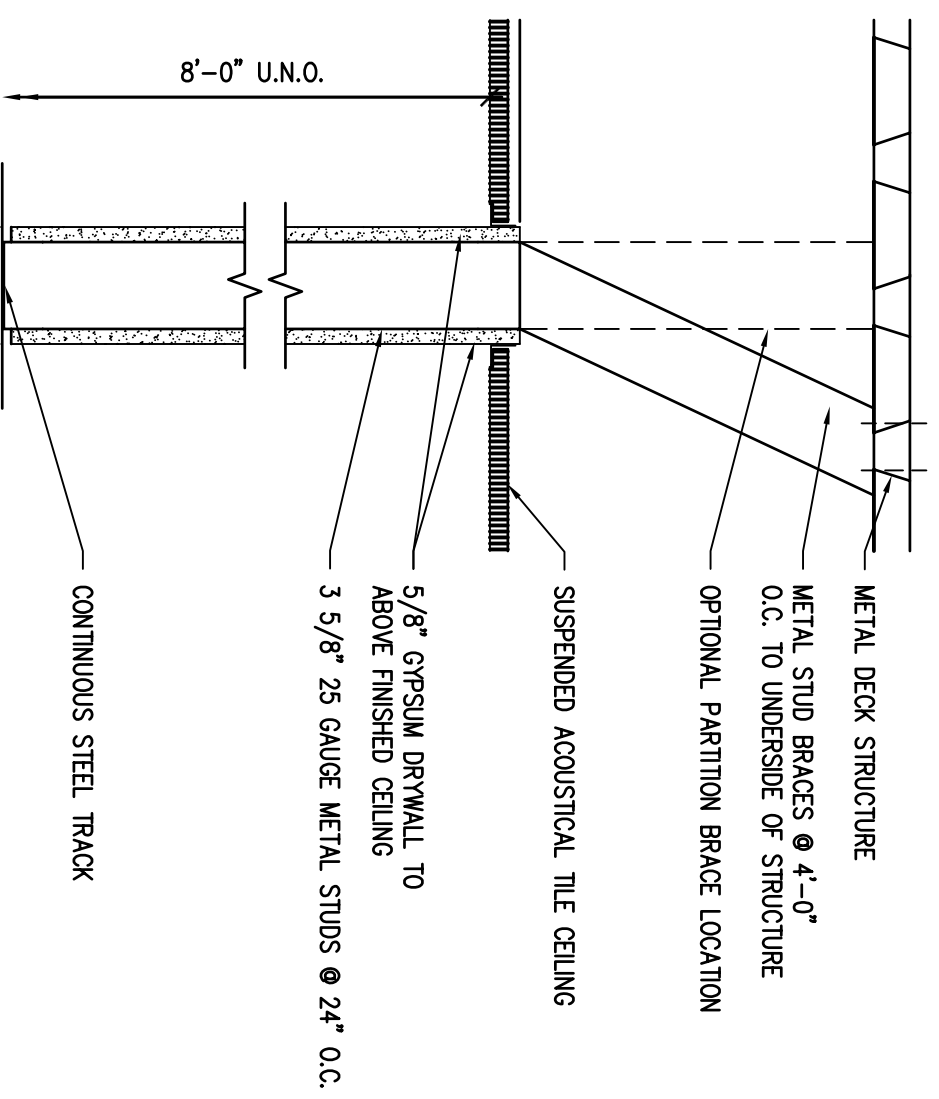
**D** TWO HOUR RATED SHAFT WALL  
SCALE 1 1/2" = 1'-0"  
MUST MEET UL DESIGN NO. U469 OR EQUAL



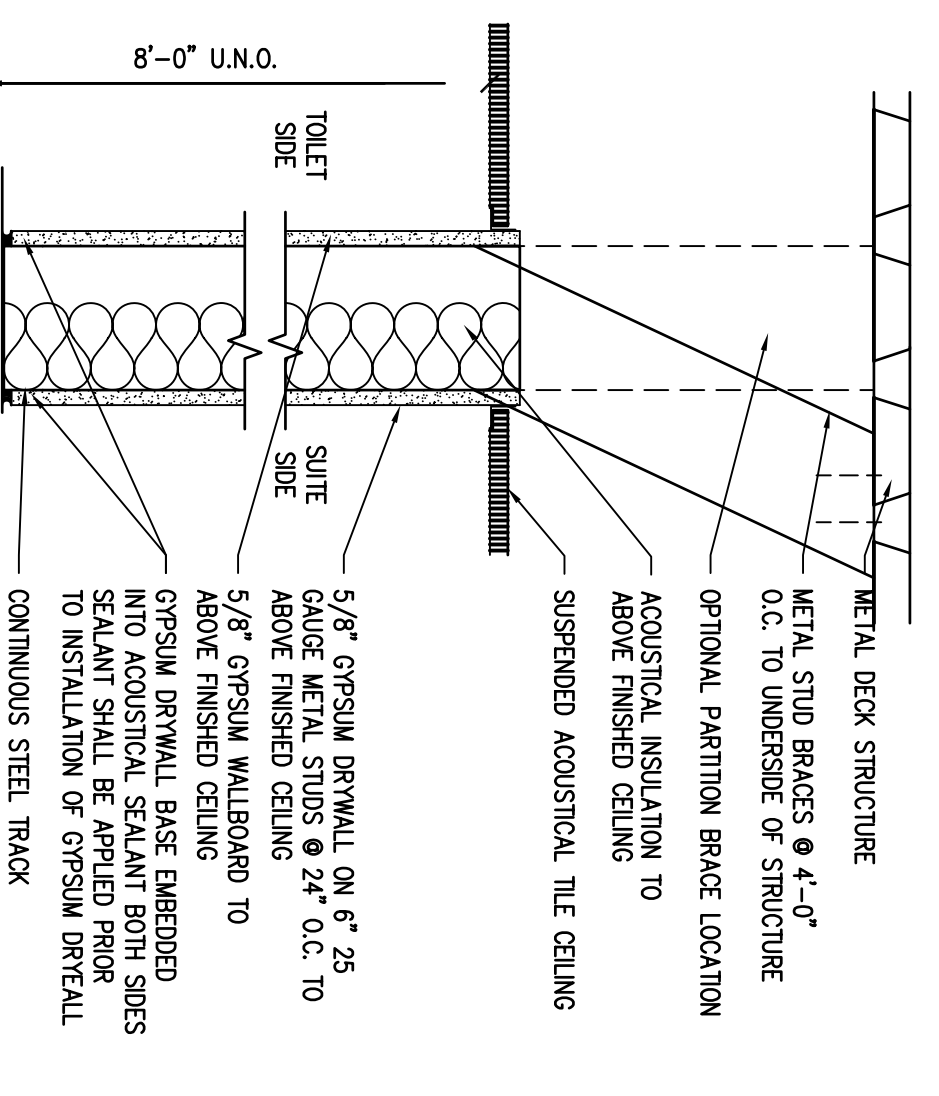
**E** ONE HOUR RATED SHAFT WALL  
SCALE 1 1/2" = 1'-0"  
MUST MEET UL DESIGN NO. U469 OR EQUAL



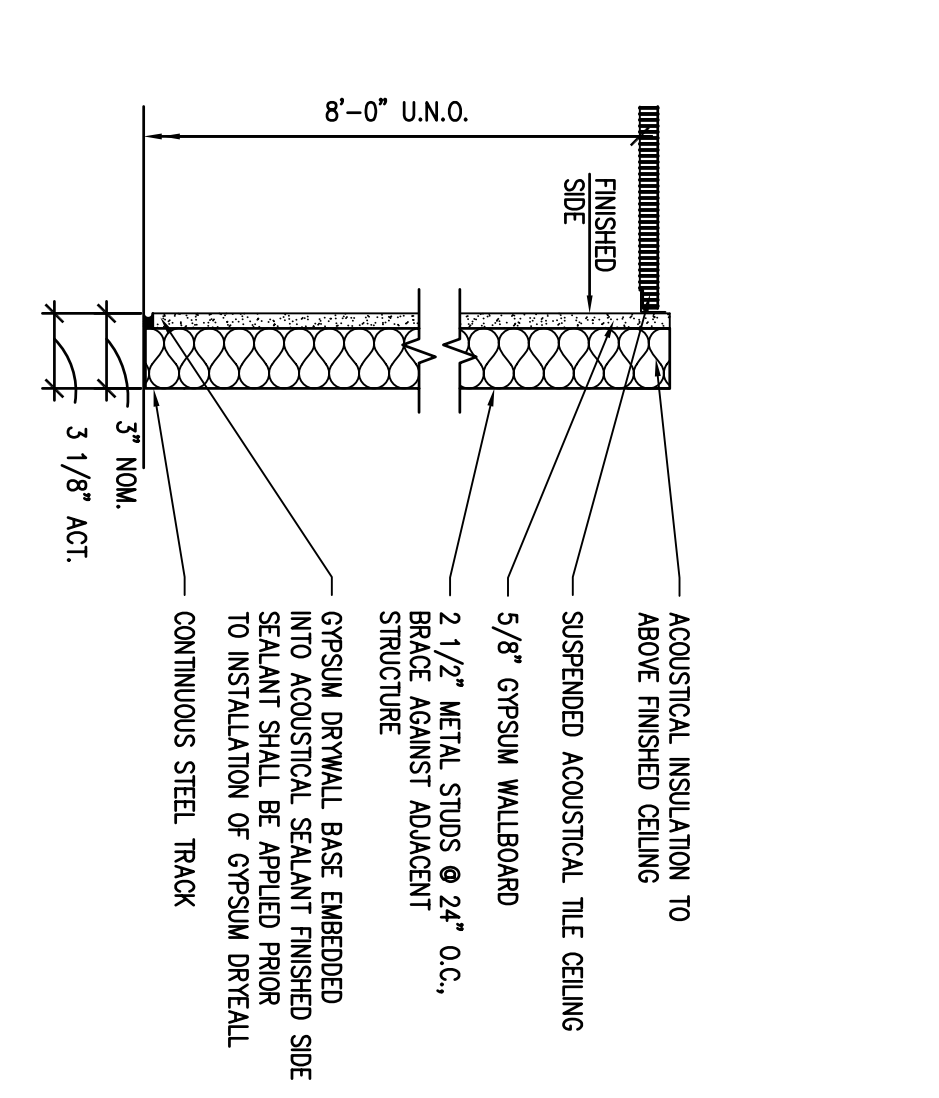
**F** CEILING HEIGHT INSULATED PARTITION  
SCALE 1 1/2" = 1'-0"



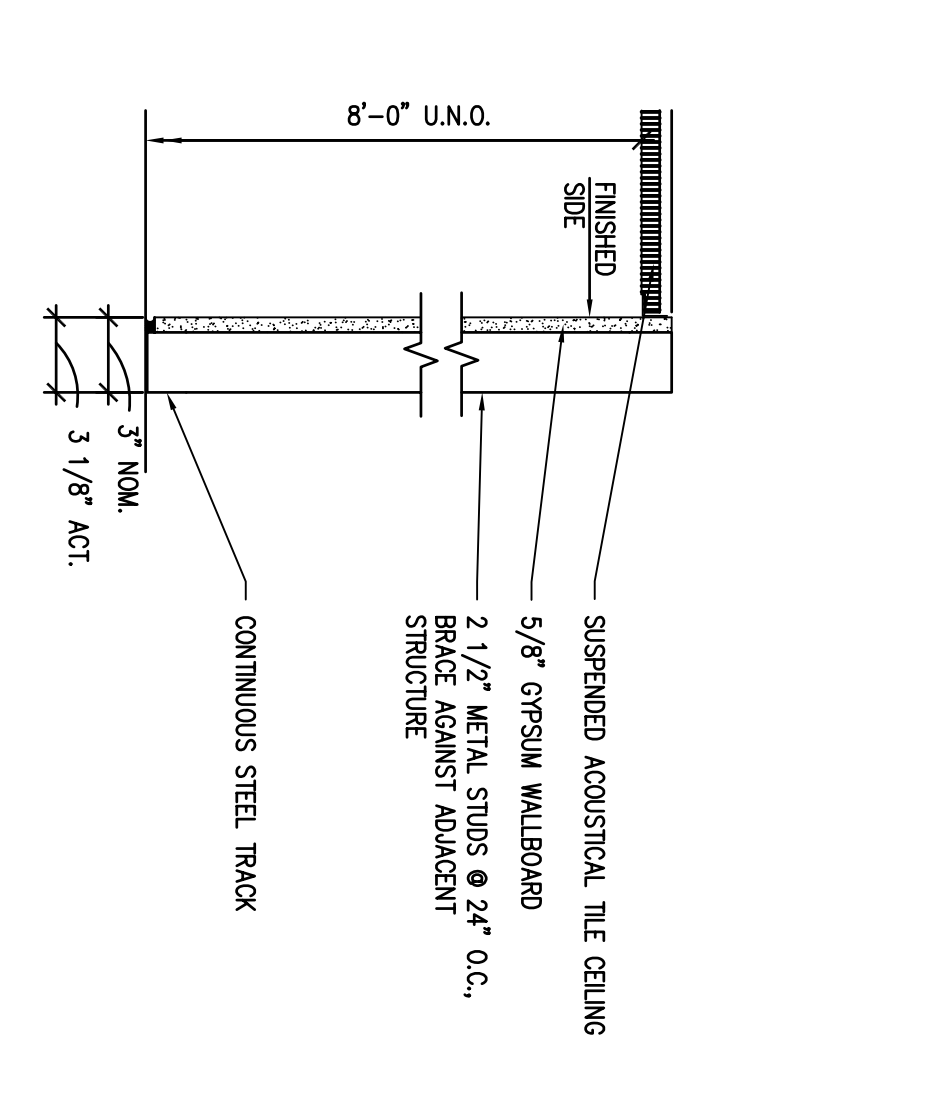
**G** CEILING HEIGHT PARTITION  
SCALE 1 1/2" = 1'-0"



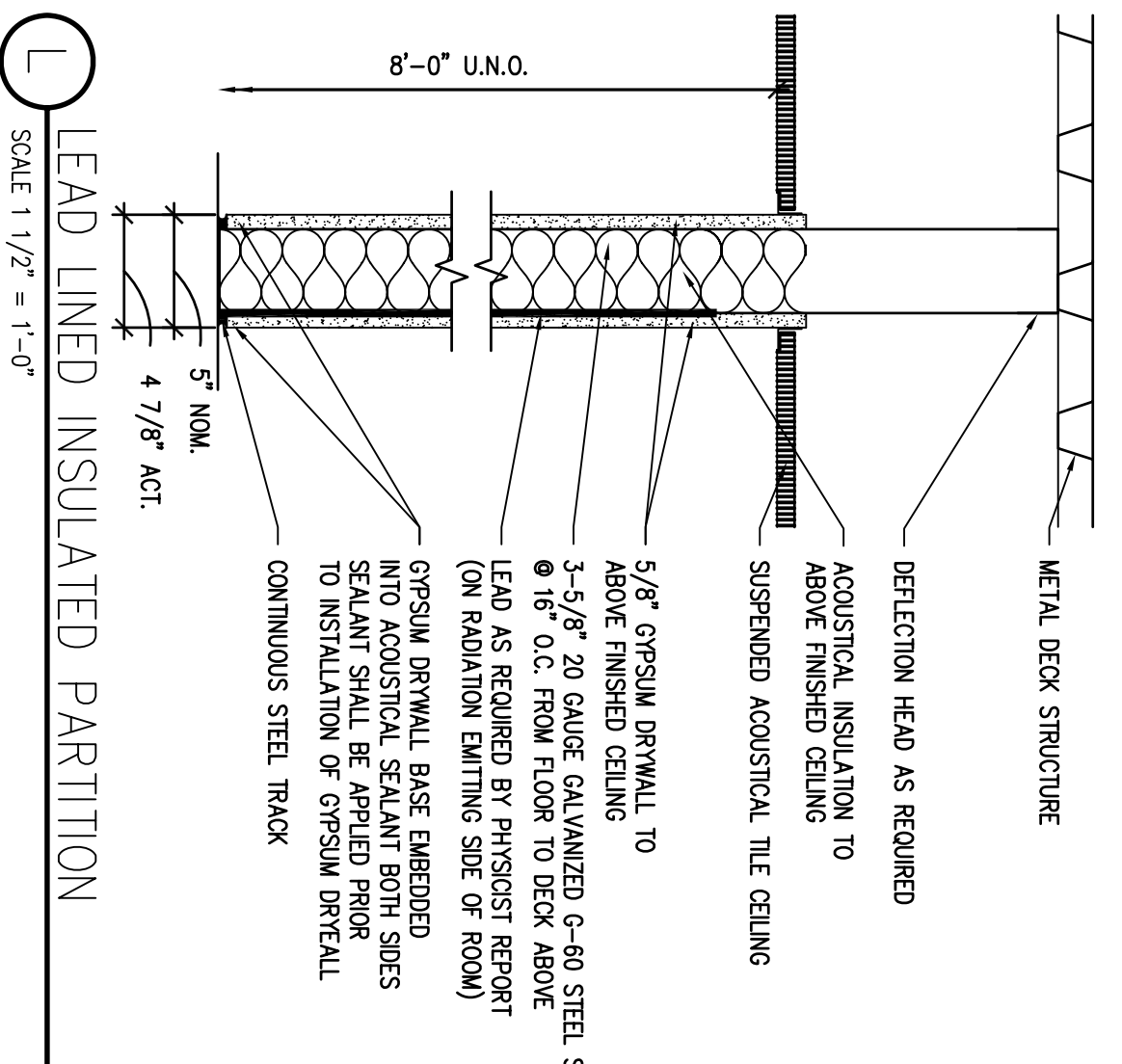
**H** FULL HEIGHT CHASE PARTITION  
SCALE 1 1/2" = 1'-0"



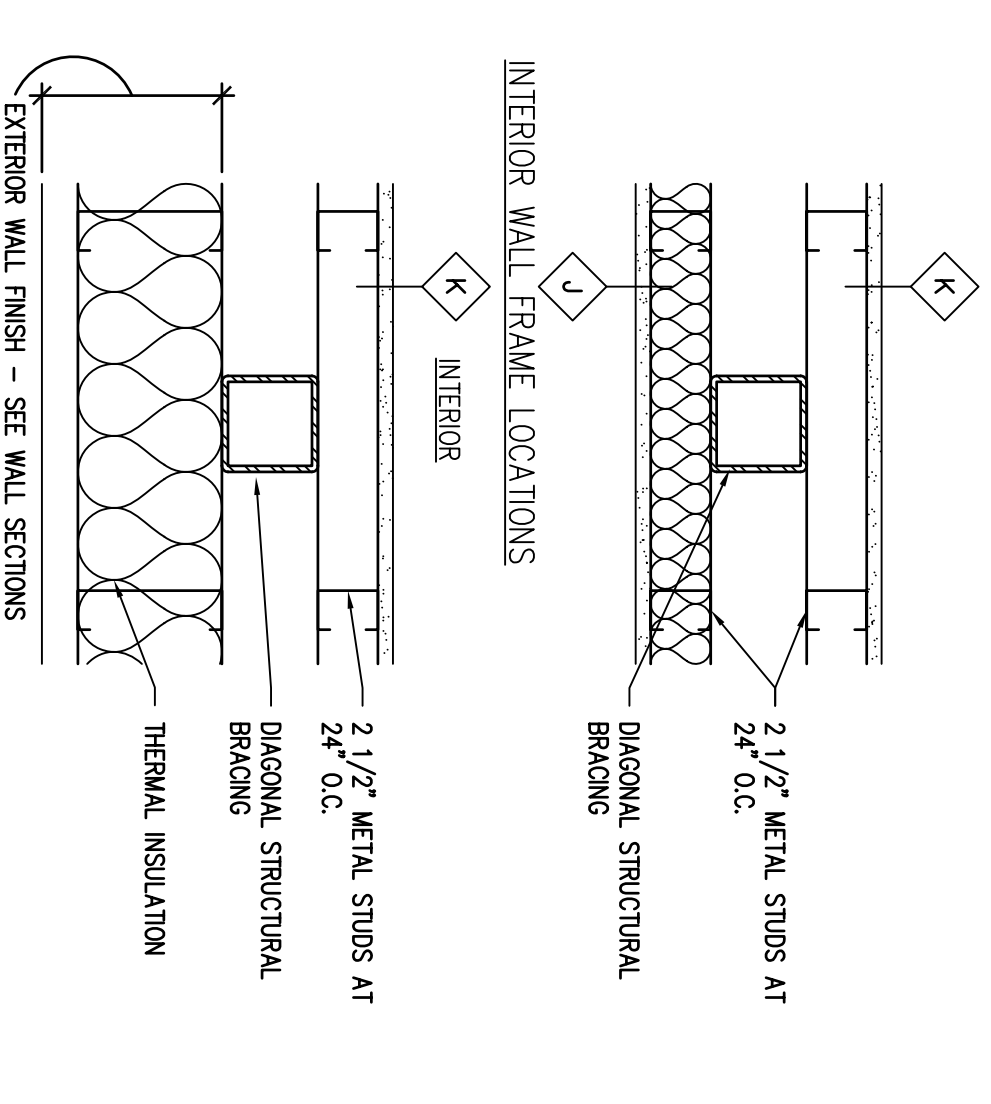
**J** INSULATED FURRING PARTITION  
SCALE 1 1/2" = 1'-0"



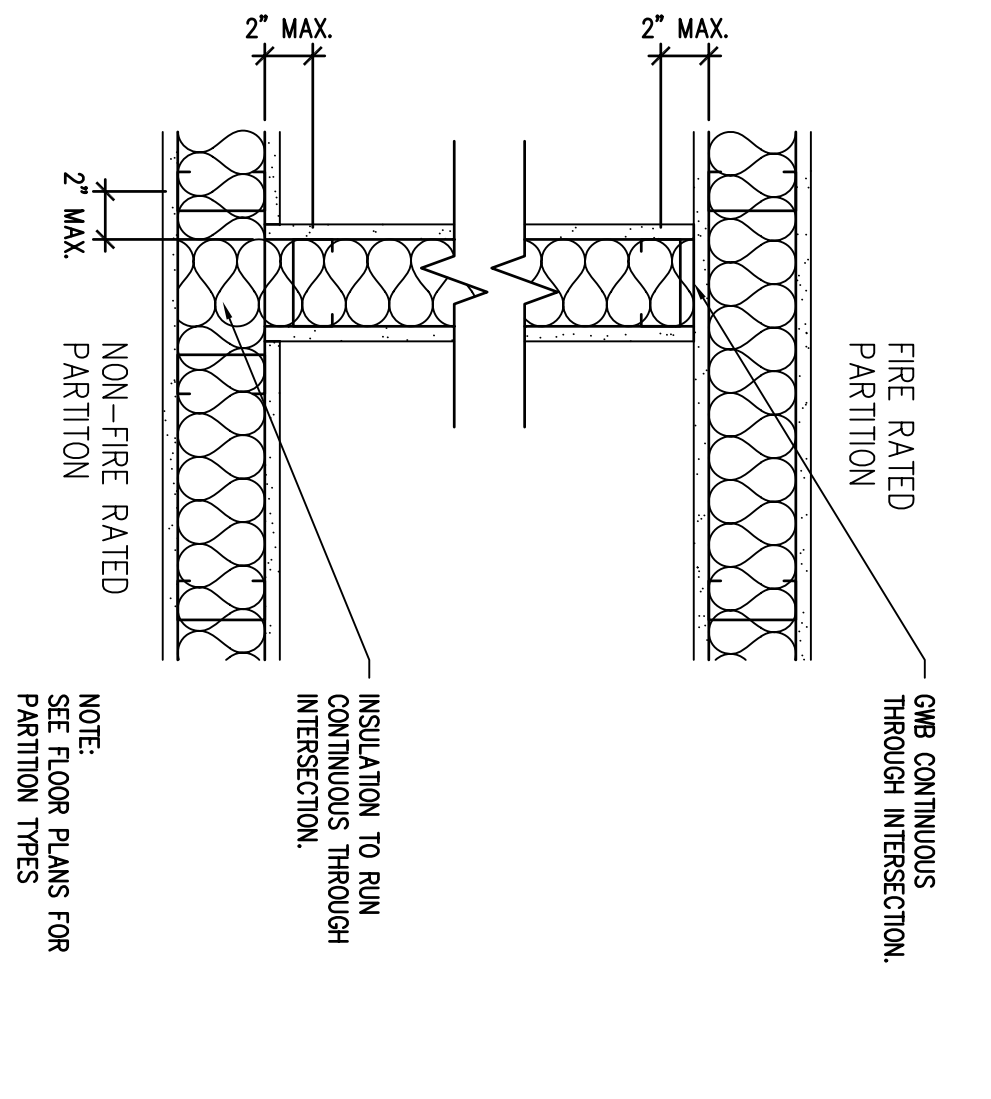
**K** FURRING PARTITION  
SCALE 1 1/2" = 1'-0"



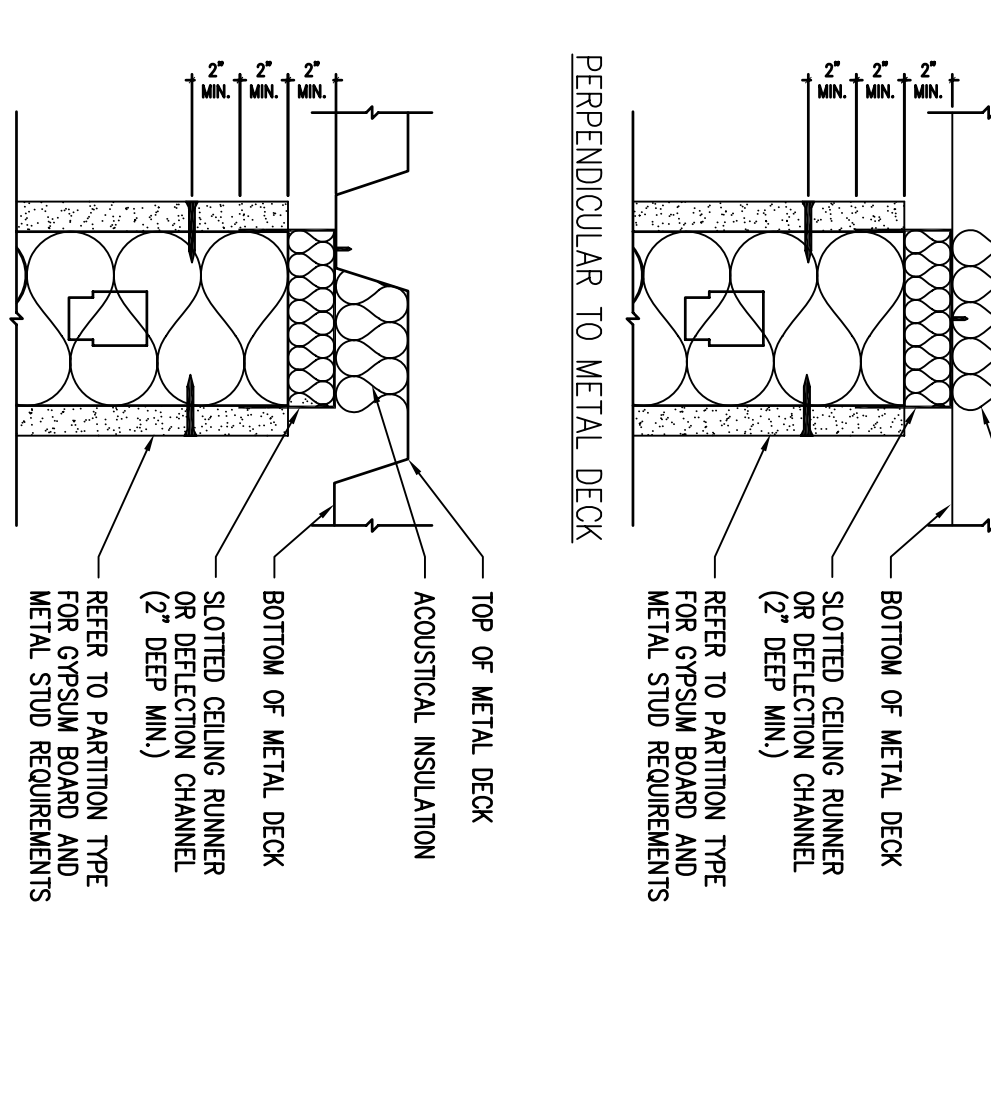
**L** LEAD LINED INSULATED PARTITION  
SCALE 1 1/2" = 1'-0"



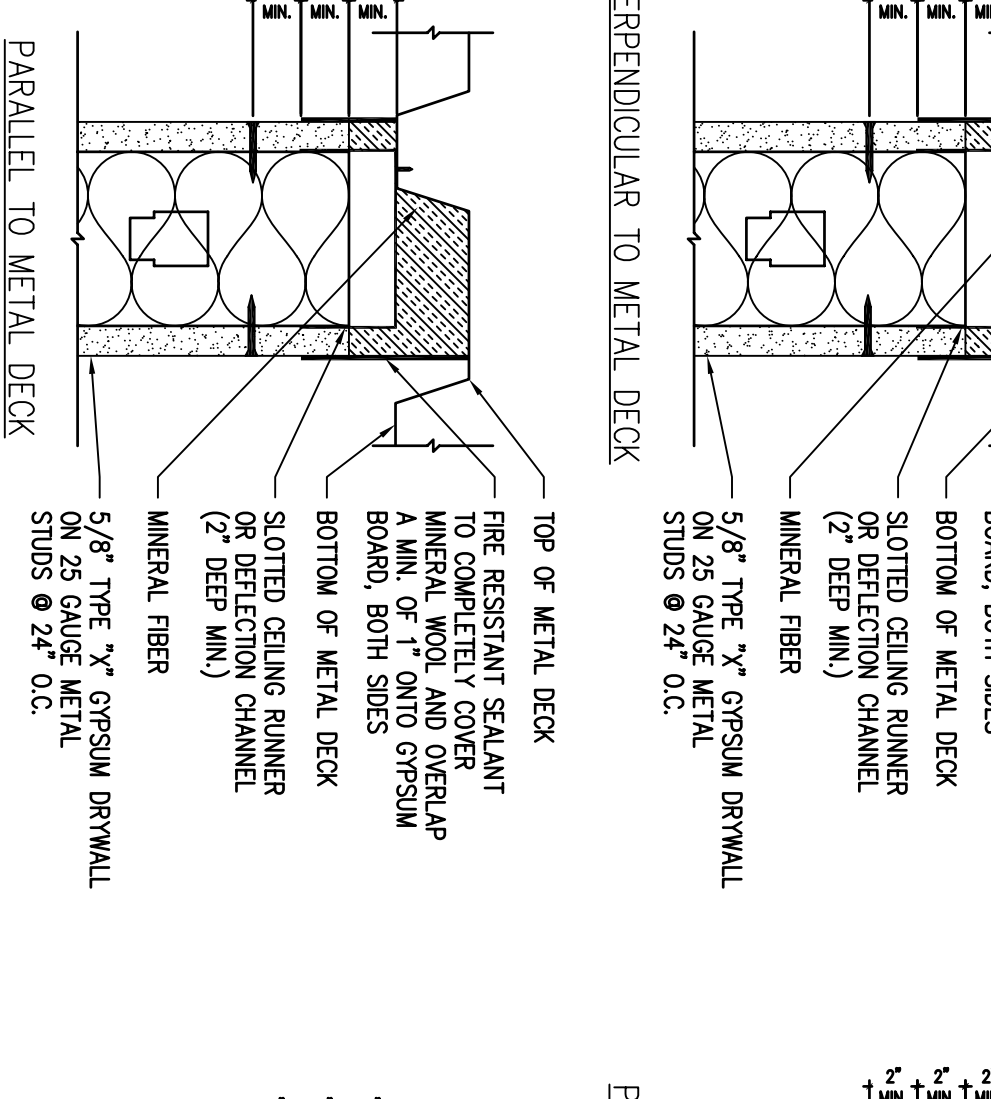
**16** FINISH AT STRUCTURAL BRACE FRAME  
SCALE 1 1/2" = 1'-0"



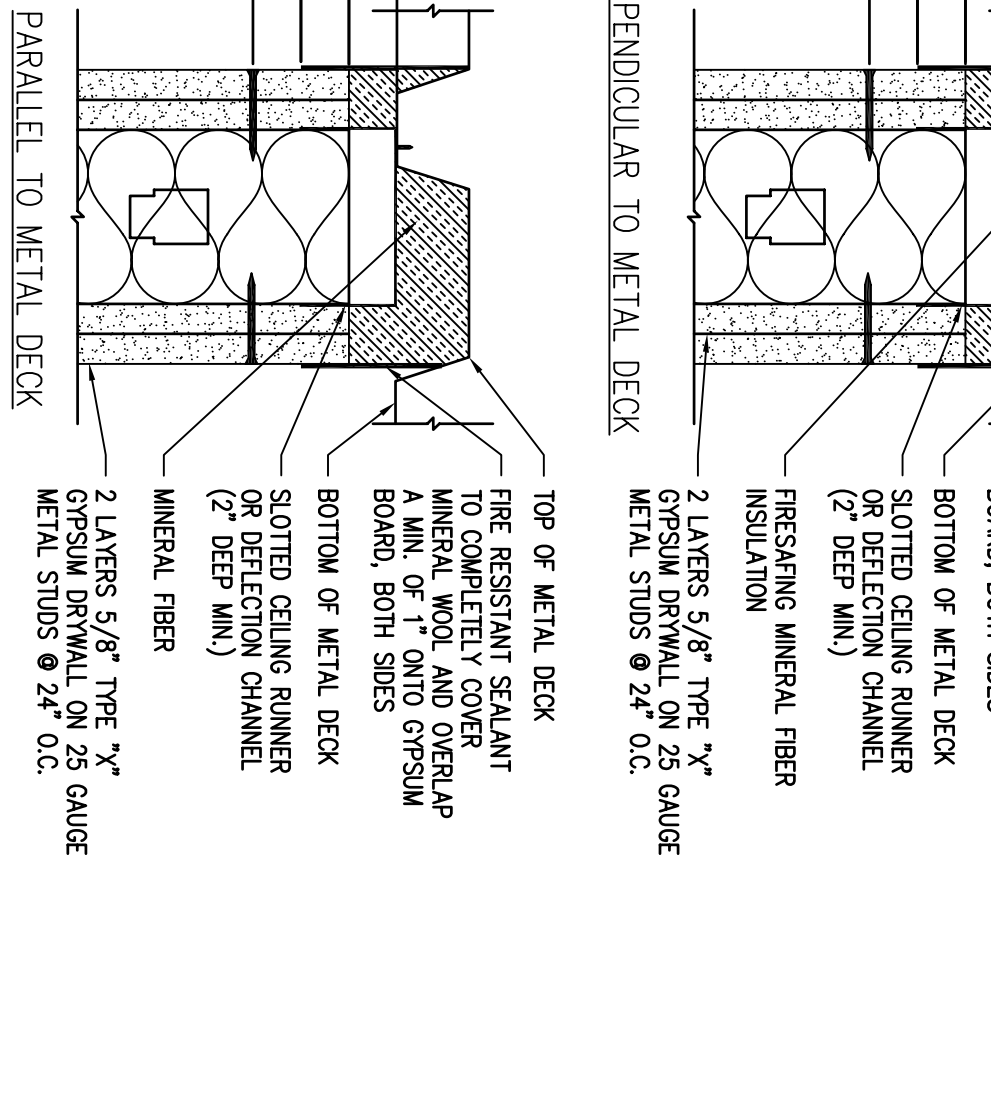
**17** TYPICAL PARTITION INTERSECTION  
SCALE 1 1/2" = 1'-0"



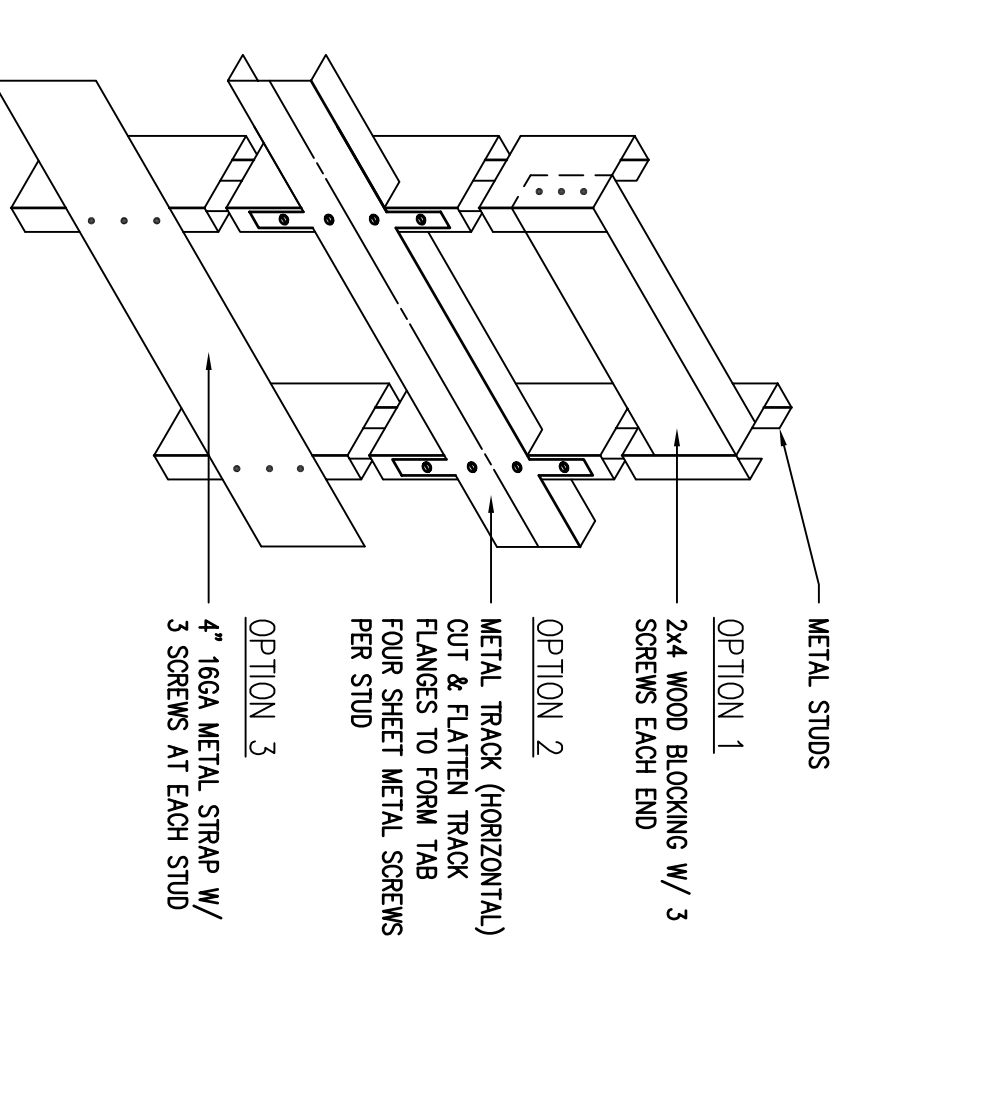
**18** DEFLECTION HEAD (NON-RATED)  
SCALE 1 1/2" = 1'-0"



**19** ONE HOUR RATED DEFLECTION HEAD  
SCALE 1 1/2" = 1'-0"  
MUST MEET UL (H-W-D-10062) OR EQUAL



**20** TWO HOUR RATED DEFLECTION HEAD  
SCALE 1 1/2" = 1'-0"  
MUST MEET UL (H-W-D-10062) OR EQUAL



**21** TYPICAL BLOCKING OPTIONS  
NO SCALE