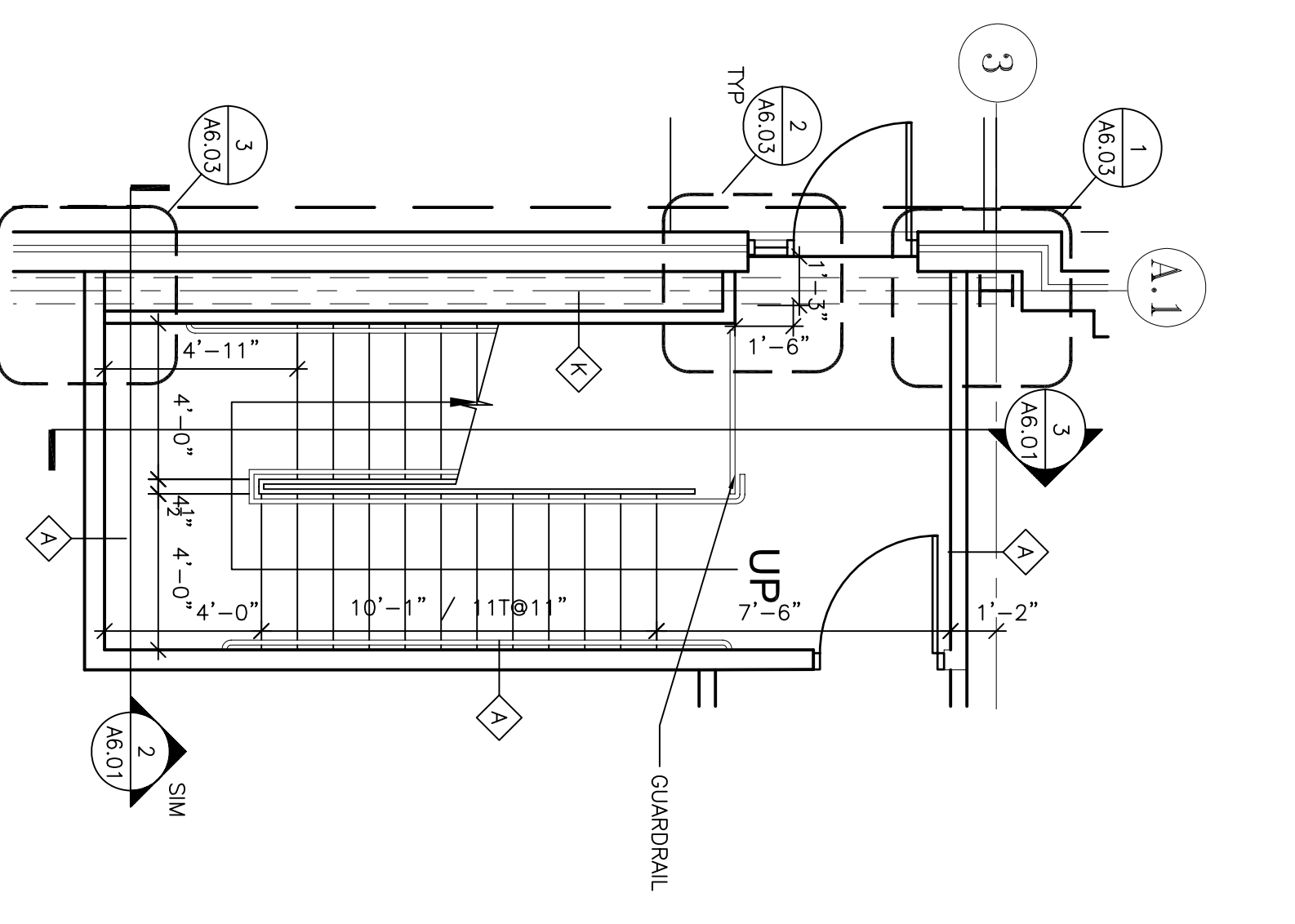
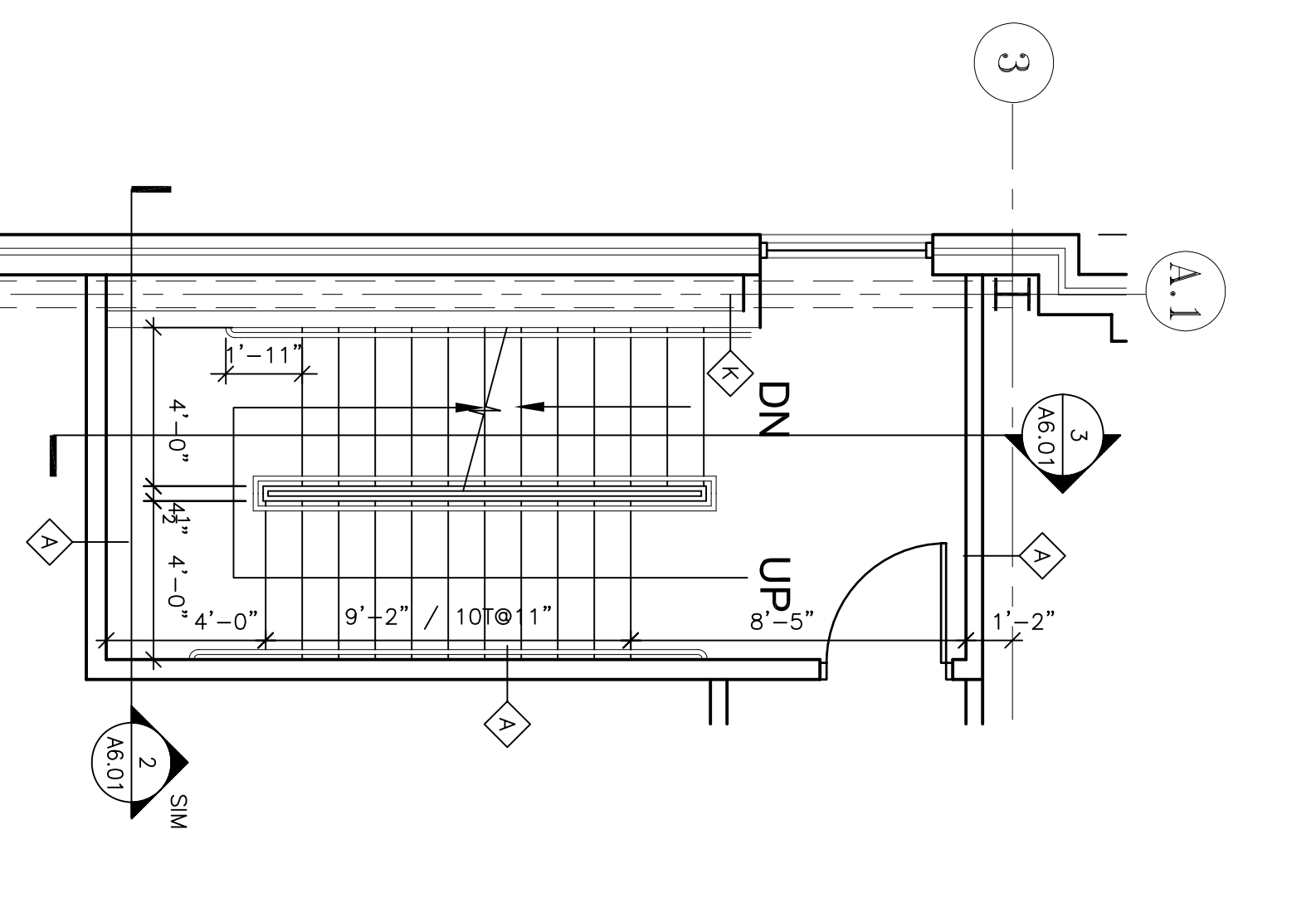


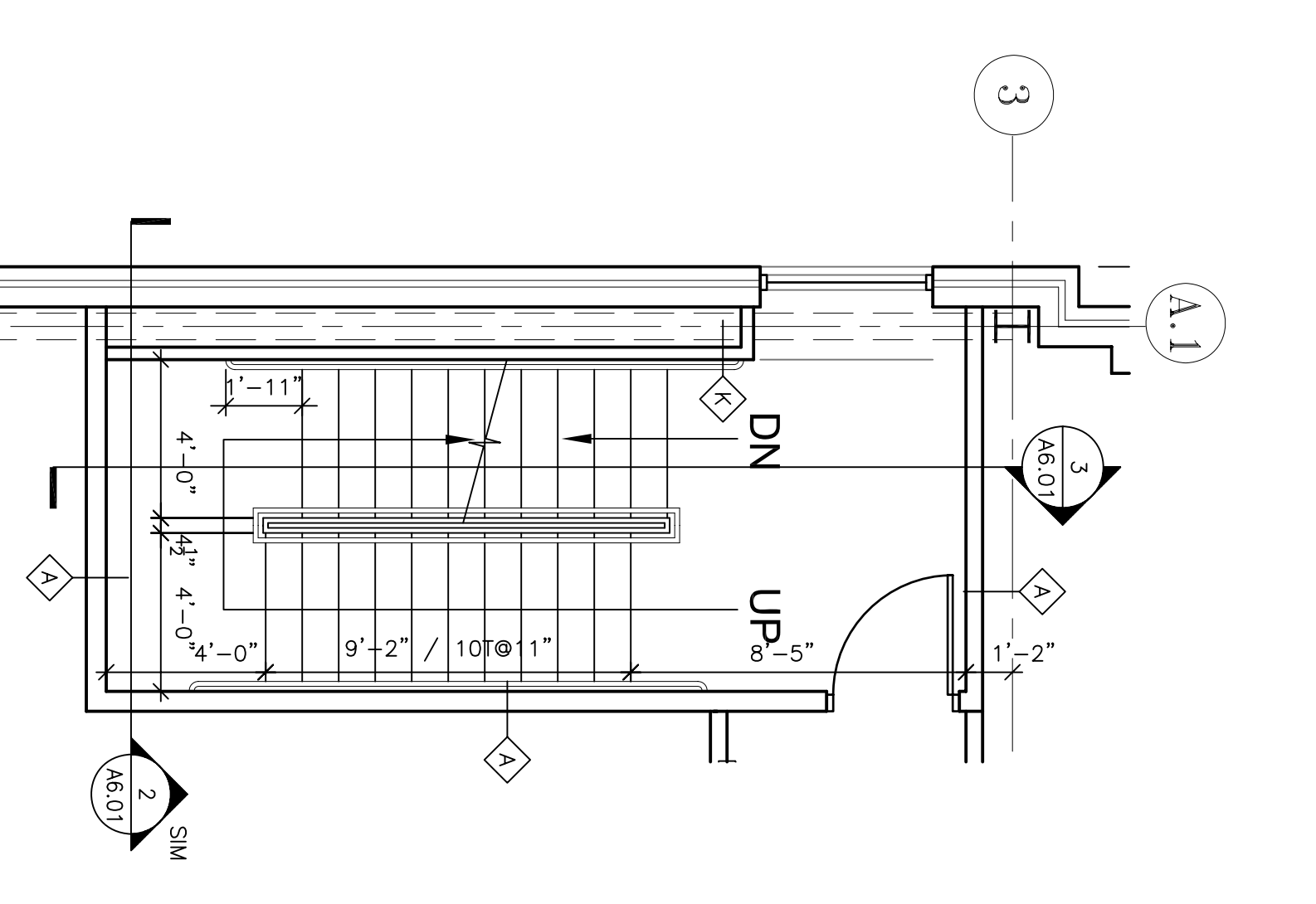
18 ORNAMENTAL STAIR PLAN
A6.00 1/4"=1'-0"



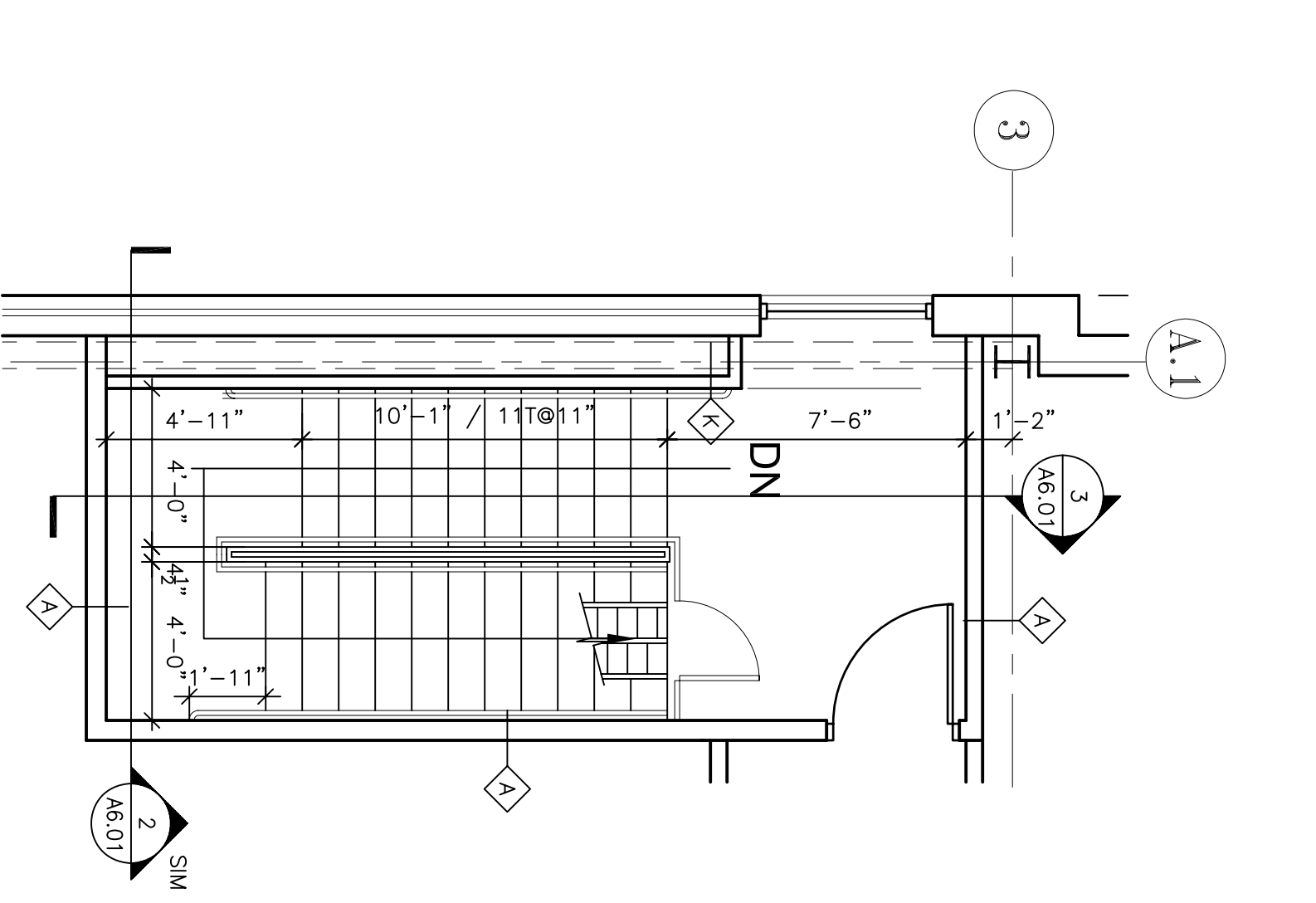
1 STAIR 'A' AT FIRST FLOOR
A6.00 1/4"=1'-0"



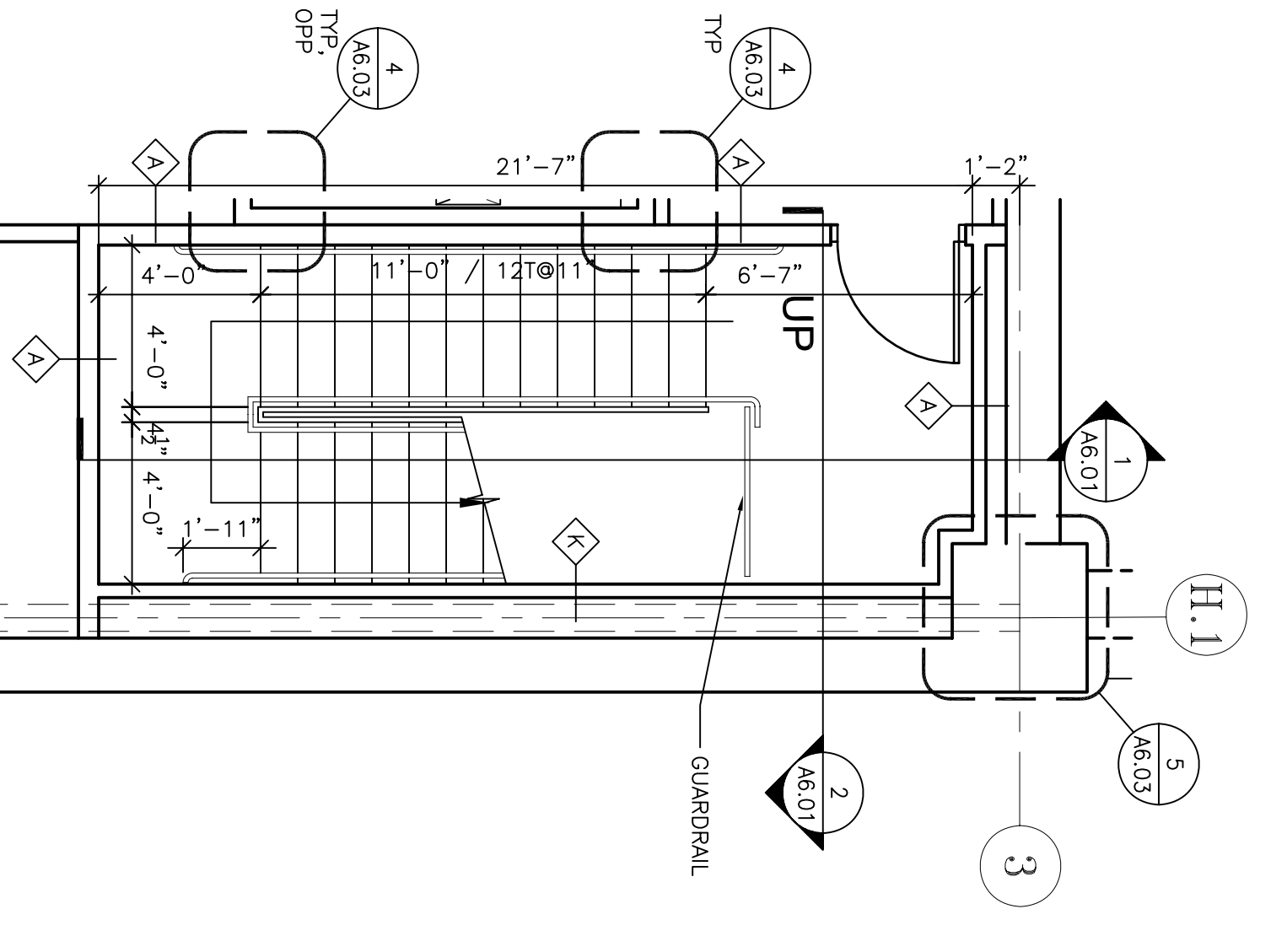
2 STAIR 'A' AT SECOND FLOOR
A6.00 1/4"=1'-0"



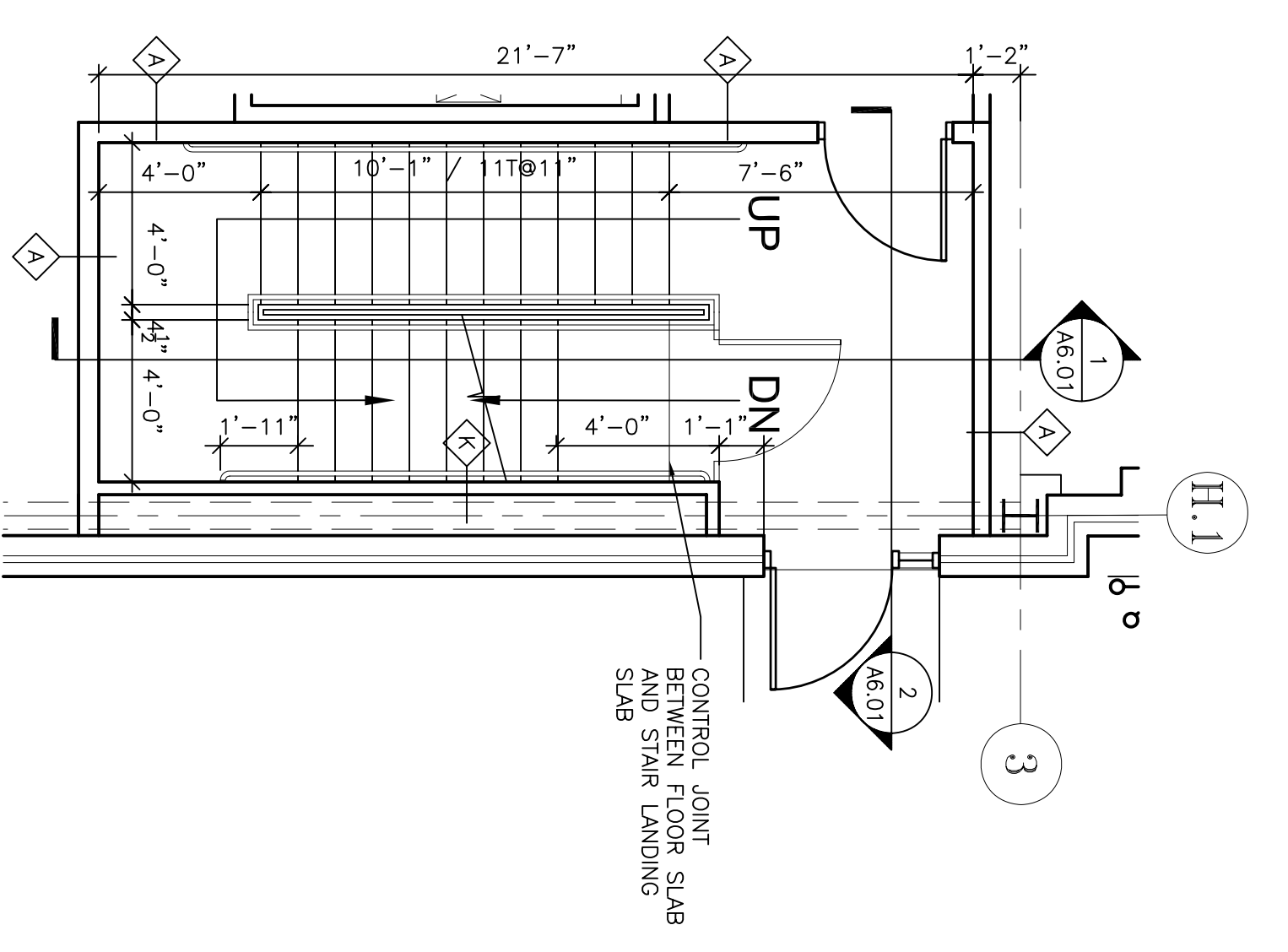
3 STAIR 'A' AT THIRD FLOOR
A6.00 1/4"=1'-0"



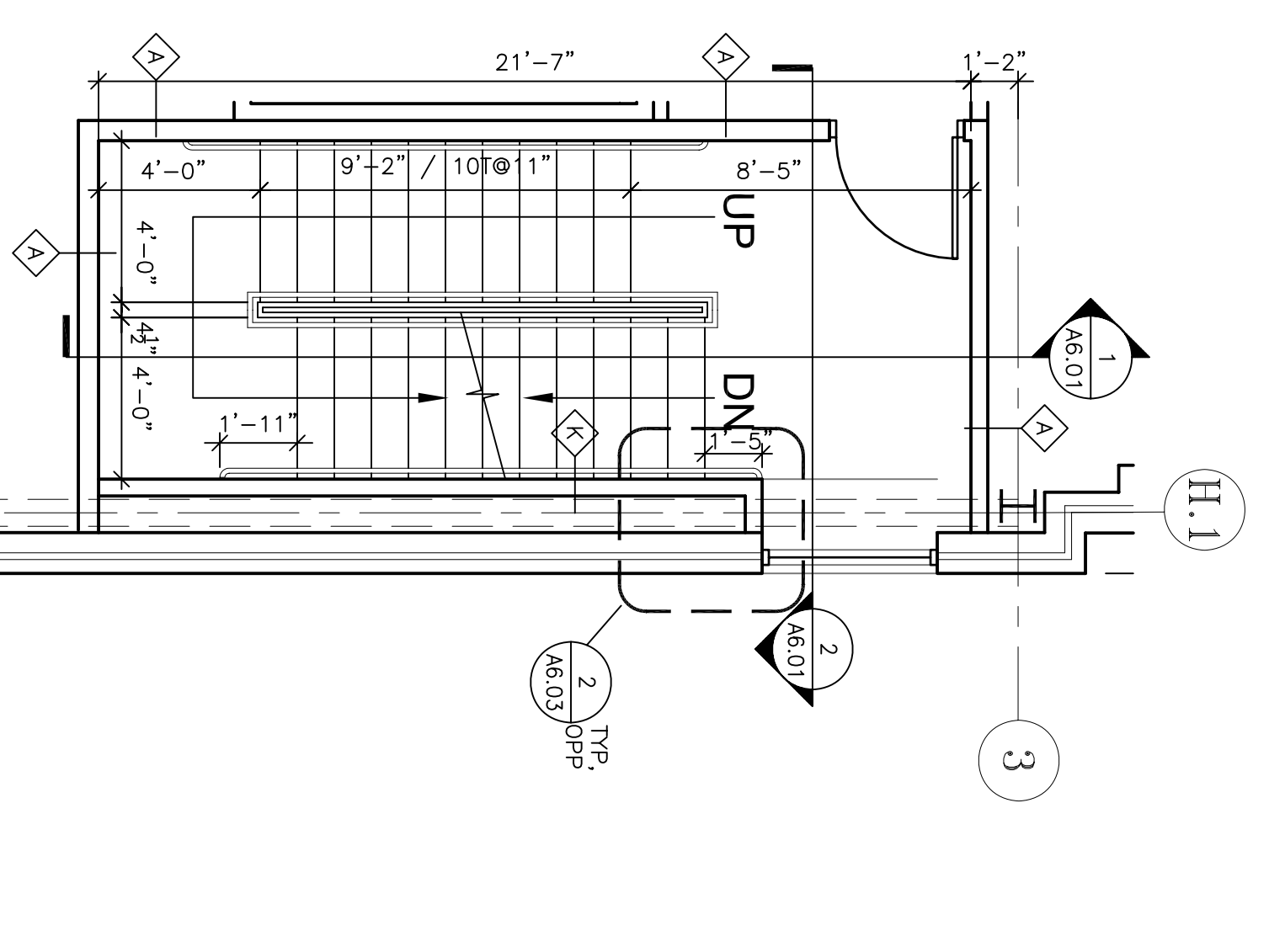
4 STAIR 'A' AT FOURTH FLOOR
A6.00 1/4"=1'-0"



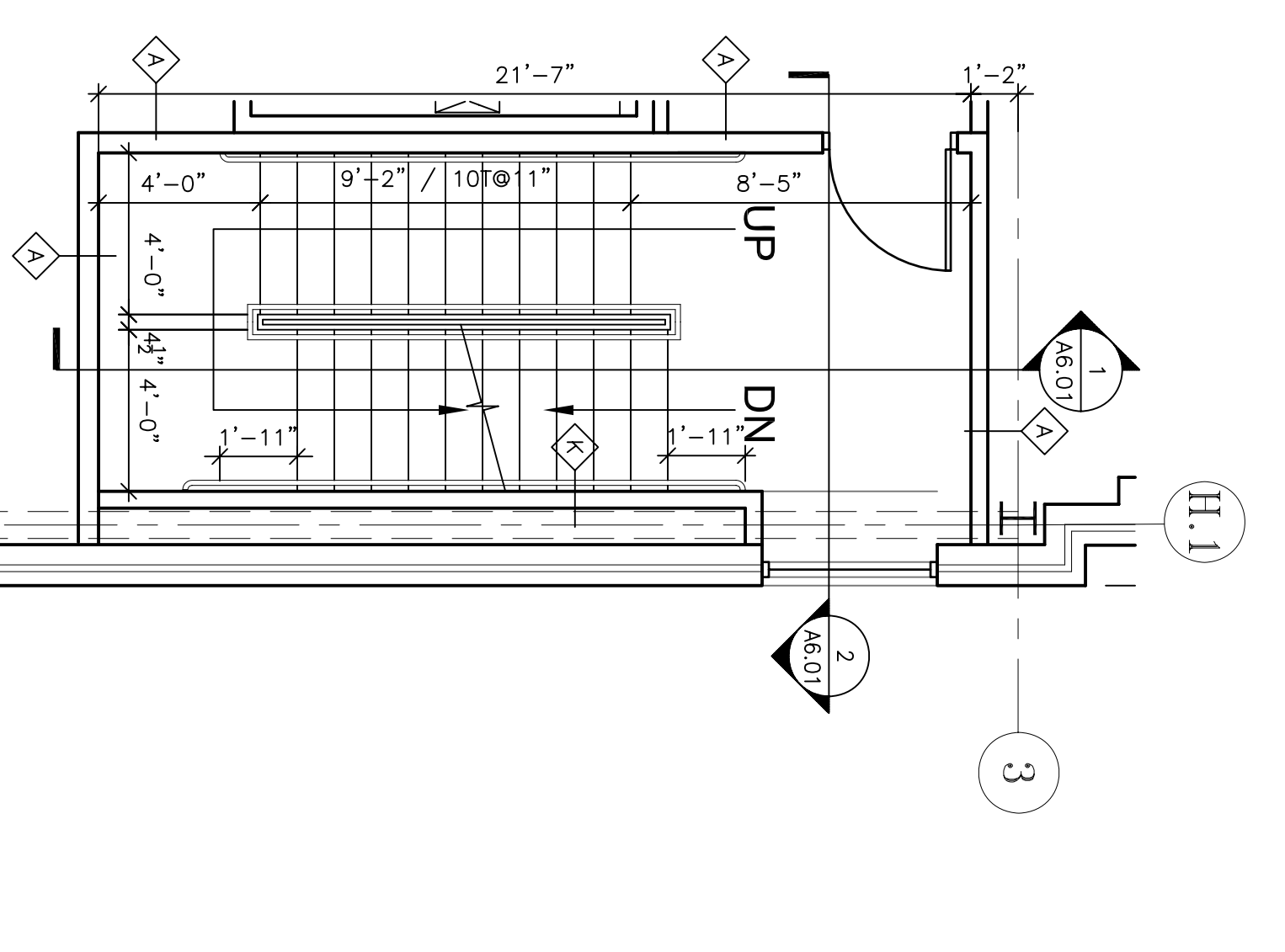
5 STAIR 'B' AT BASEMENT
A6.00 1/4"=1'-0"



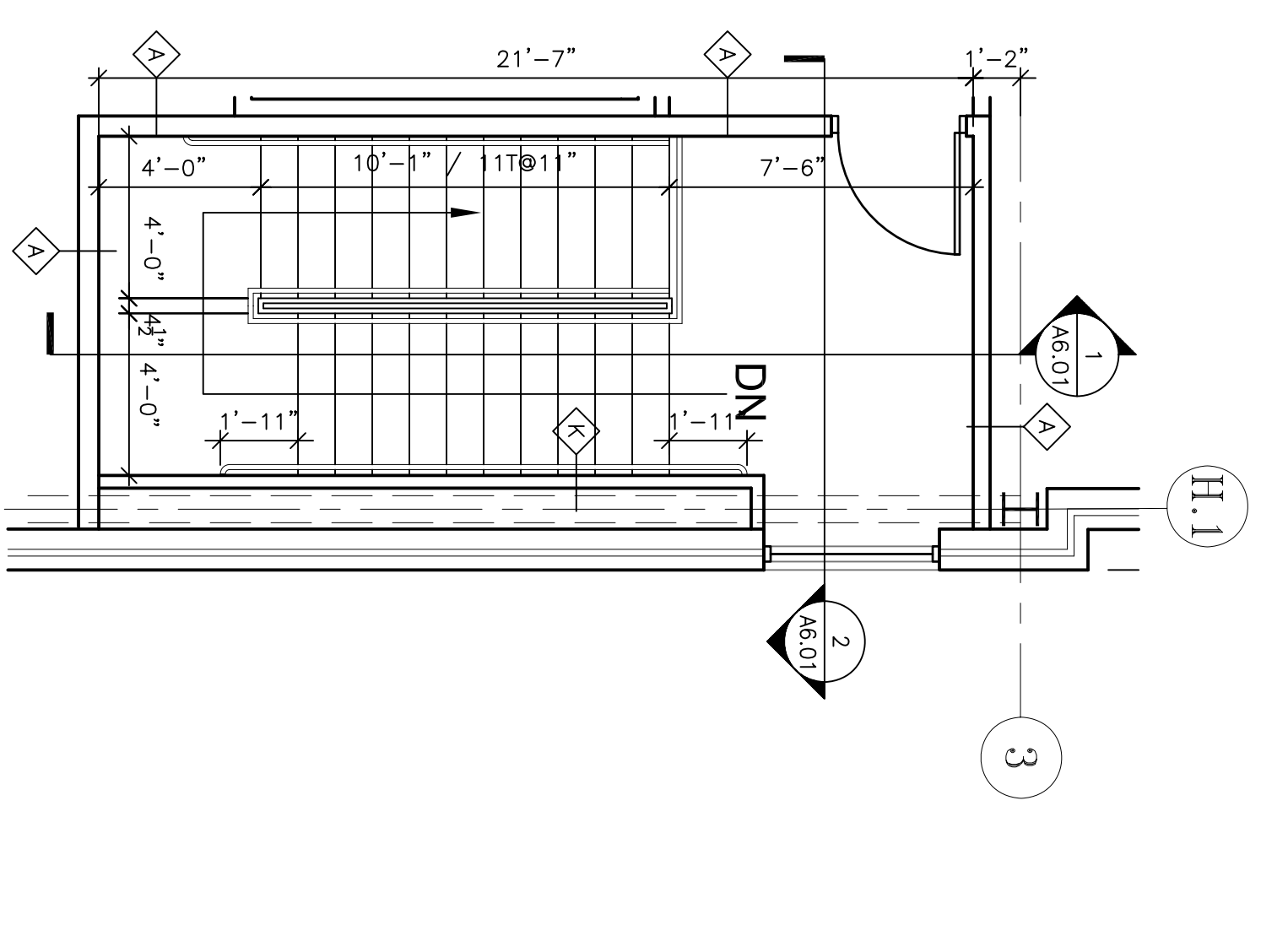
6 STAIR 'B' AT FIRST FLOOR
A6.00 1/4"=1'-0"



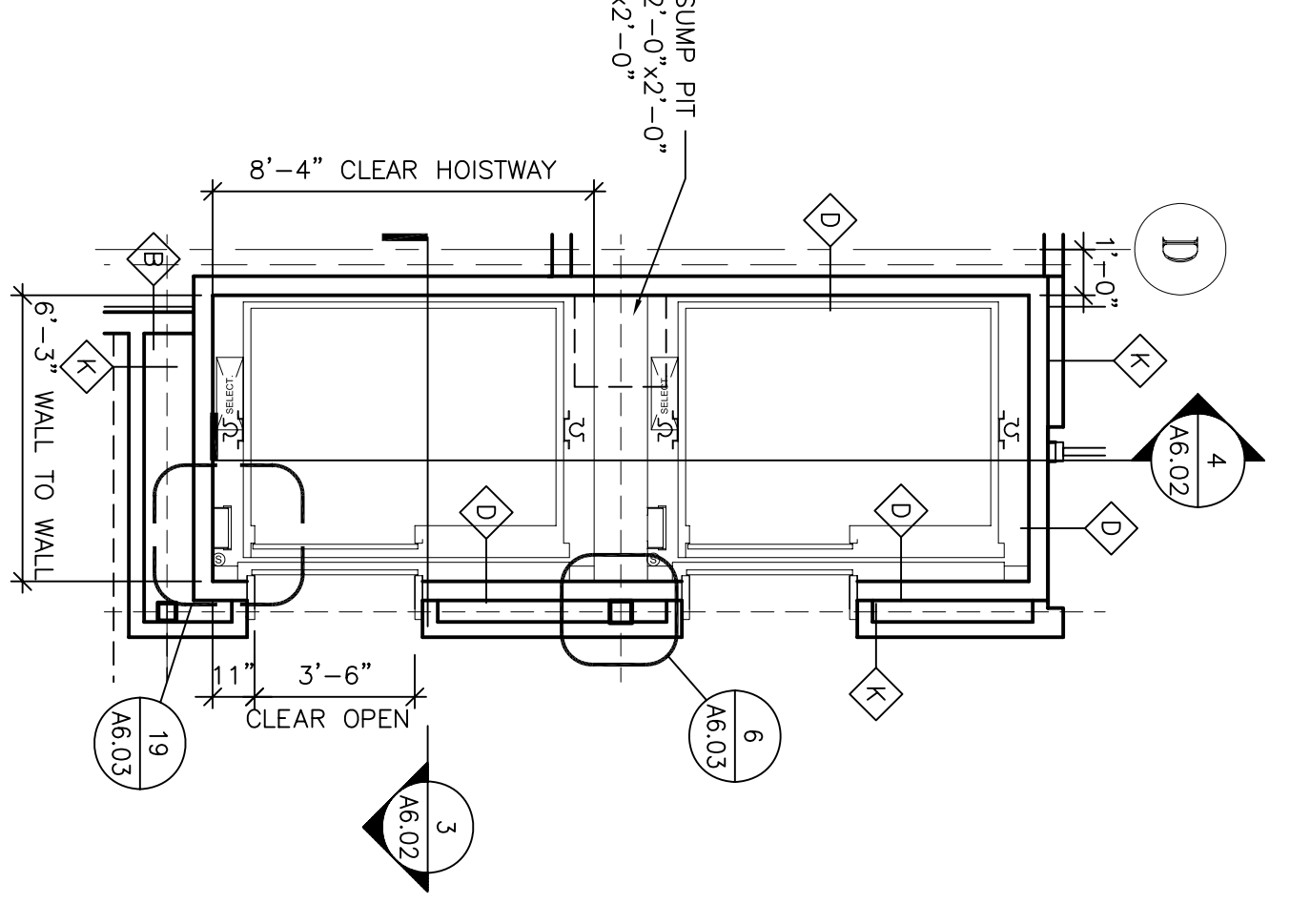
7 STAIR 'B' AT SECOND FLOOR
A6.00 1/4"=1'-0"



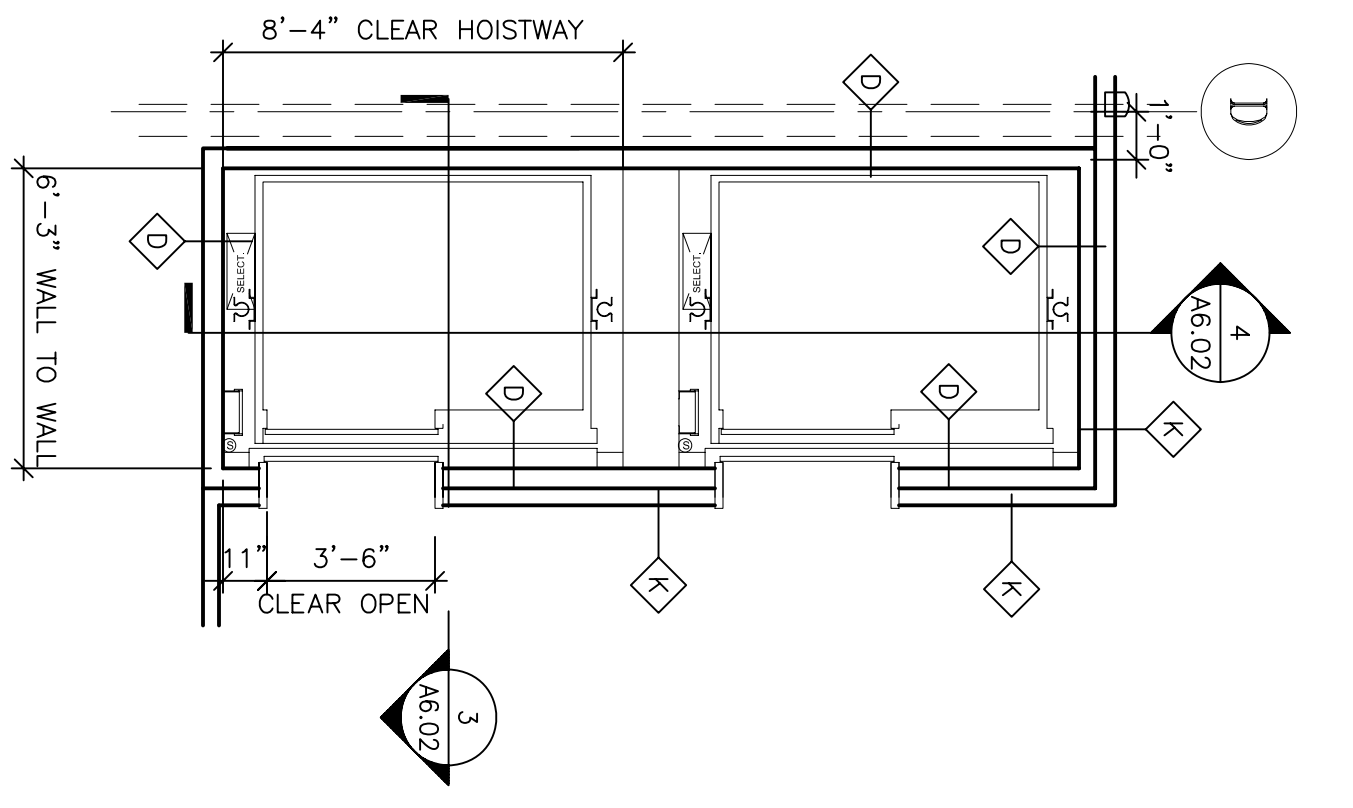
8 STAIR 'B' AT THIRD FLOOR
A6.00 1/4"=1'-0"



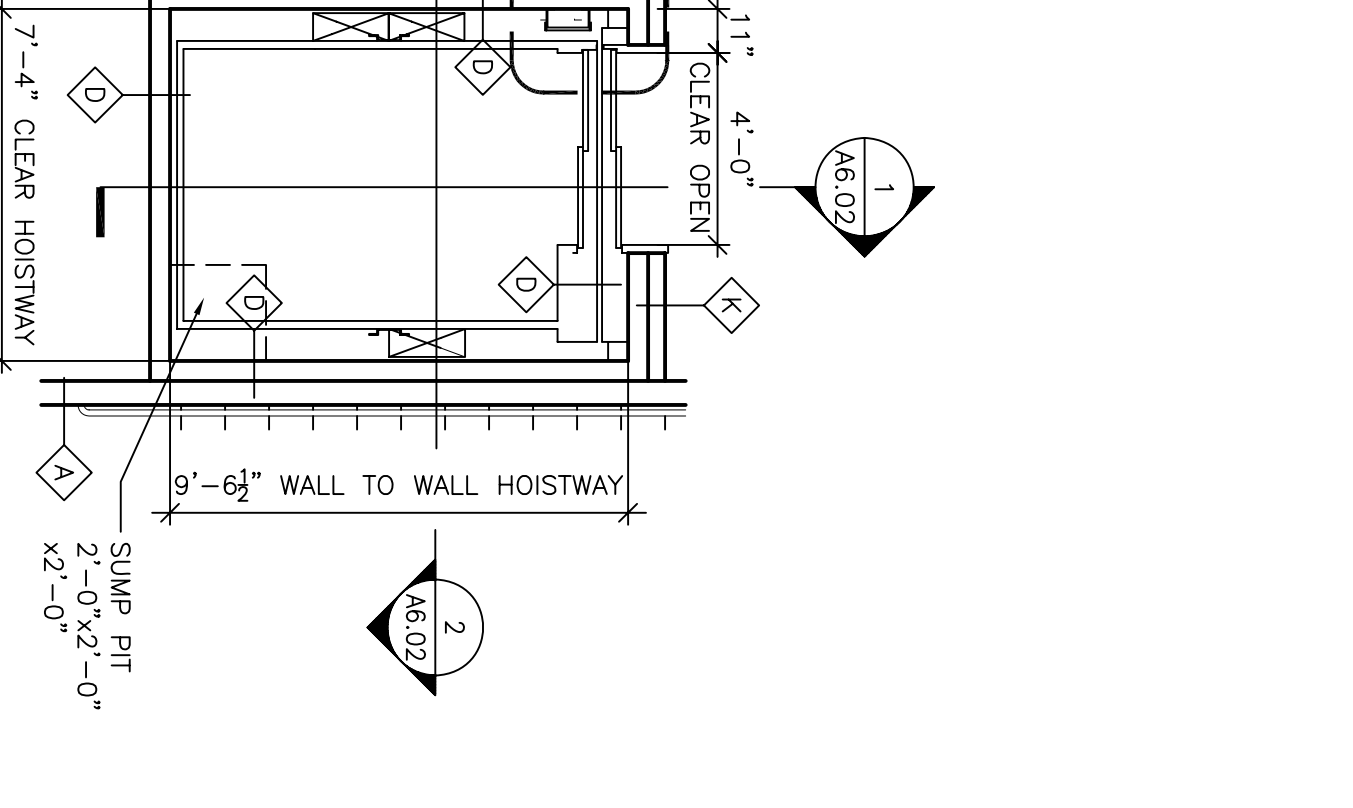
9 STAIR 'B' AT FOURTH FLOOR
A6.00 1/4"=1'-0"



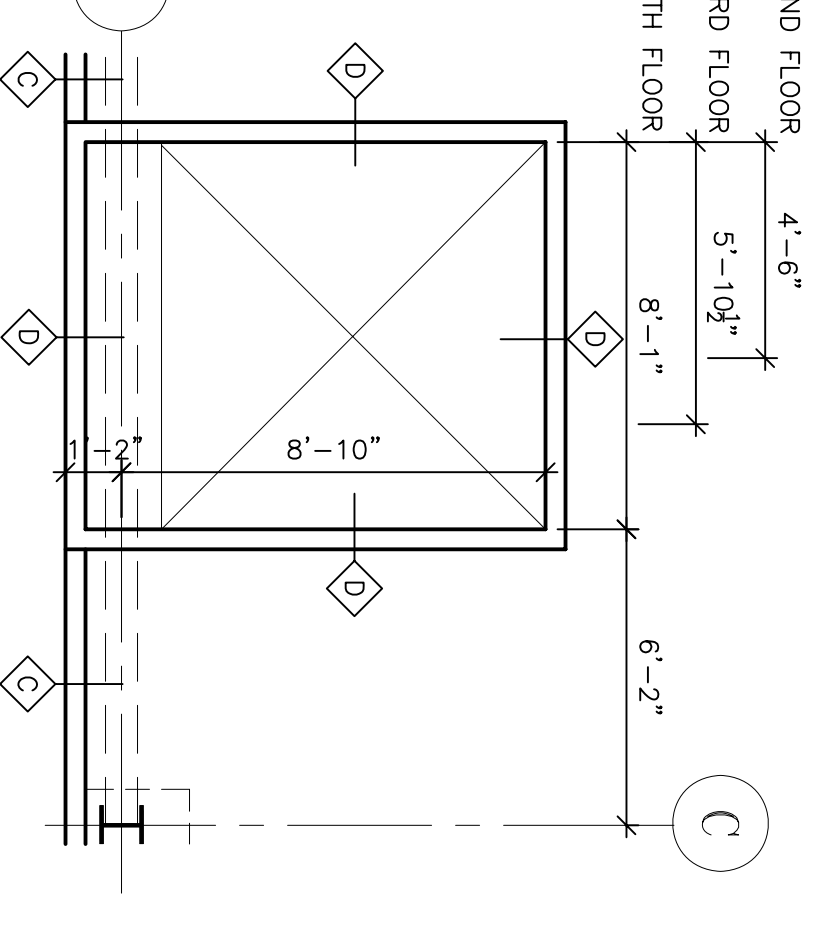
10 FLOORS 1 TO 2
ELEVATOR PLAN
A6.00 1/4"=1'-0"



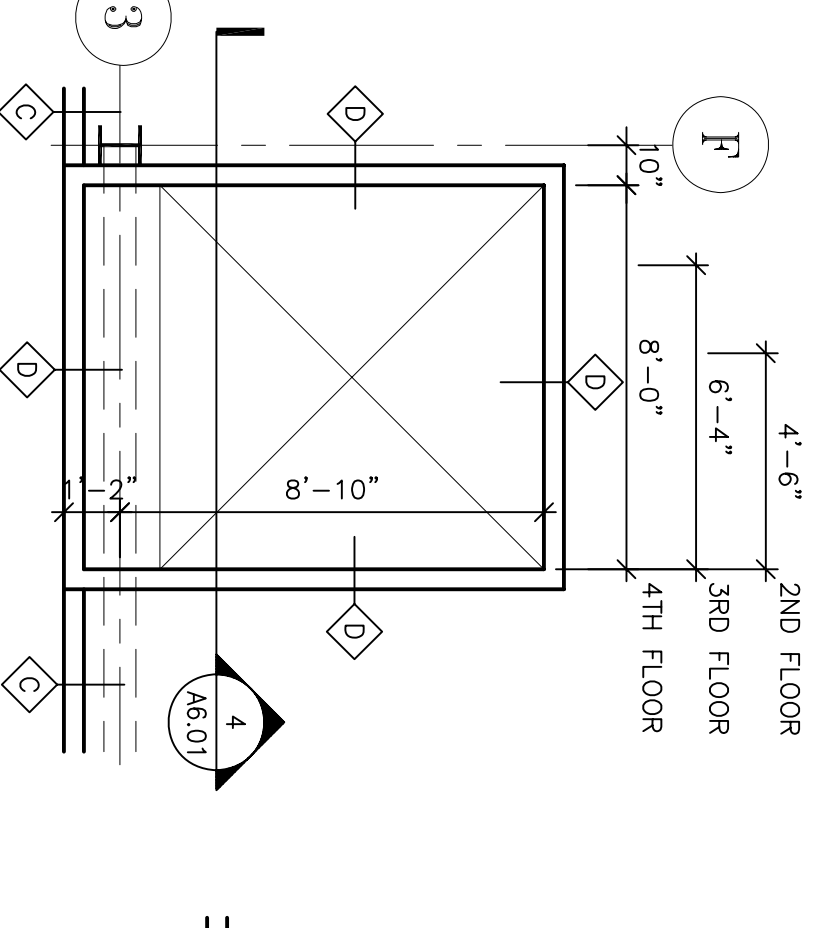
11 FLOORS 3 TO 4
ELEVATOR PLAN
A6.00 1/4"=1'-0"



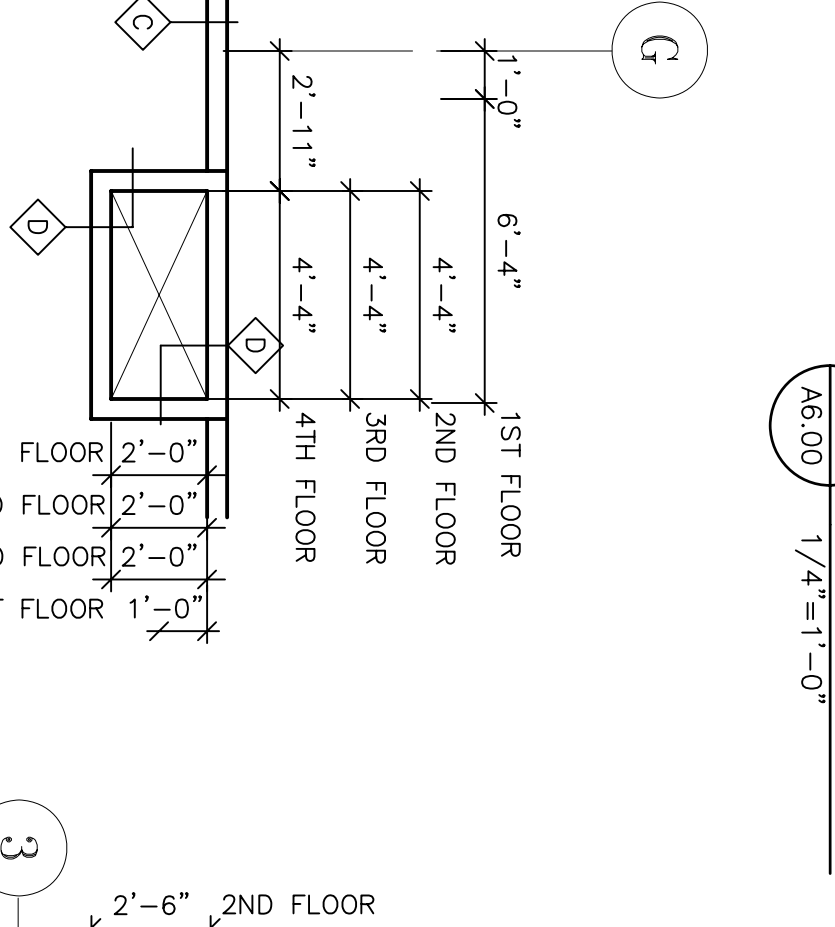
12 BASEMENT TO 4TH FLOOR
ELEVATOR PLAN
A6.00 1/4"=1'-0"



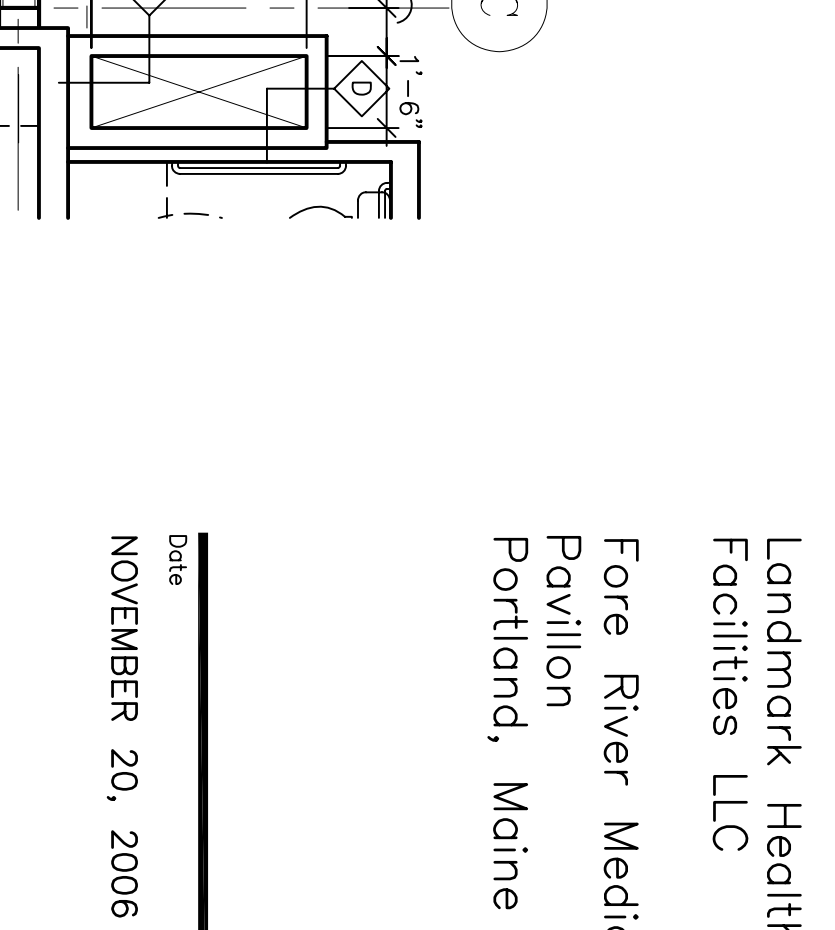
13 SHAFT PLAN
A6.00 1/4"=1'-0"



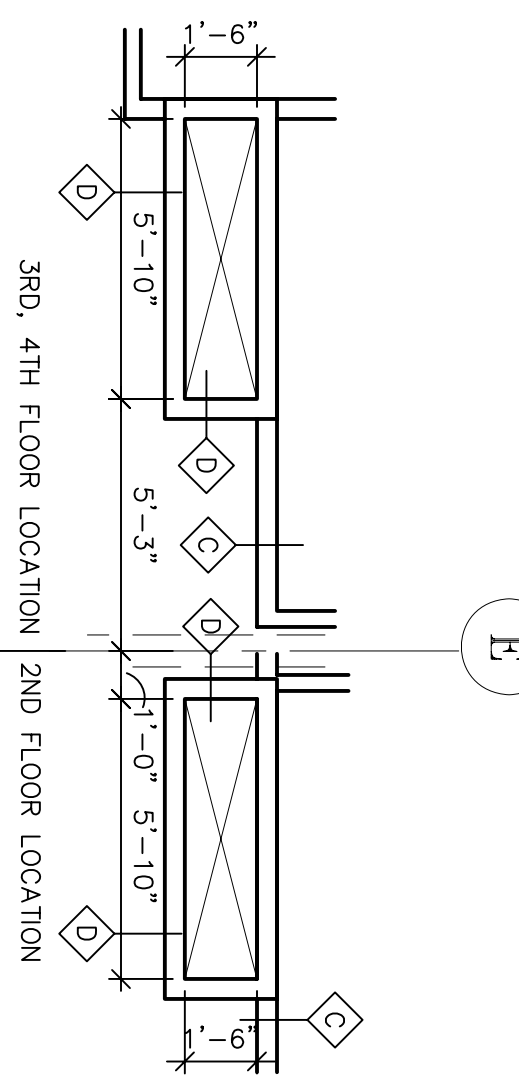
14 SHAFT PLAN
A6.00 1/4"=1'-0"



15 SHAFT PLAN
A6.00 1/4"=1'-0"



16 SHAFT PLAN
A6.00 1/4"=1'-0"



17 SHAFT PLAN
A6.00 1/4"=1'-0"

Sheet
STAR ELEVATOR & SHAFT
PLANS

Revisions
11-20-06 CONSTRUCTION DOCUMENTS ISSUED

M/E/P ENGINEER
1500 WINDSOR STREET, SUITE 1400
PHILADELPHIA, PA 19102
P 215-582-6106
F 215-582-6106

STRUCTURAL ENGINEER
RICH COULLER ARCHITECT ASSOCIATES
SUITE 175
199 COLLEGE AVENUE
PHILADELPHIA, PA 19103
P (610) 644-8573
F (610) 644-8572

Francis Cauffman
2120 Arch Street
Philadelphia, PA 19103
215-588-8280

Foley
Hoffmann

Francis
Cauffman
Foley
Hoffmann

LANDMARK
HEALTHCARE
FACILITIES, LLC
830 North Jefferson Street
Methuen, MA 01844
Telephone: (414) 277-0500
Facsimile: (414) 277-1055

Project Title
Landmark Healthcare
Facilities LLC
Fore River Medical
Pavilion
Portland, Maine

Date
NOVEMBER 20, 2006
Project Number
F06-5103

Drawing Number
A6.00