

**Francis
Caufman
Foley
Hoffmann**

Francis Cauffman 2120 Arch Street
 Philadelphia, PA 19103
 Architects Ltd. 215-588-8250

STRUCTURAL ENGINEERS
 RISE CONSULTING ASSOCIATES
 SUITE 175 14 19953
 RIVERVIEW AVENUE
 PHILADELPHIA, PA 19102
 P (610) 645-8570
 F (610) 645-8572

M/E/P ENGINEER
 RISE CONSULTING ASSOCIATES
 1500 MARKET STREET, SUITE 1400
 PHILADELPHIA, PA 19102
 P 215-262-2106
 F 215-262-2108

Revisions
 11-20-06 CONSTRUCTION DOCUMENTS ISSUED

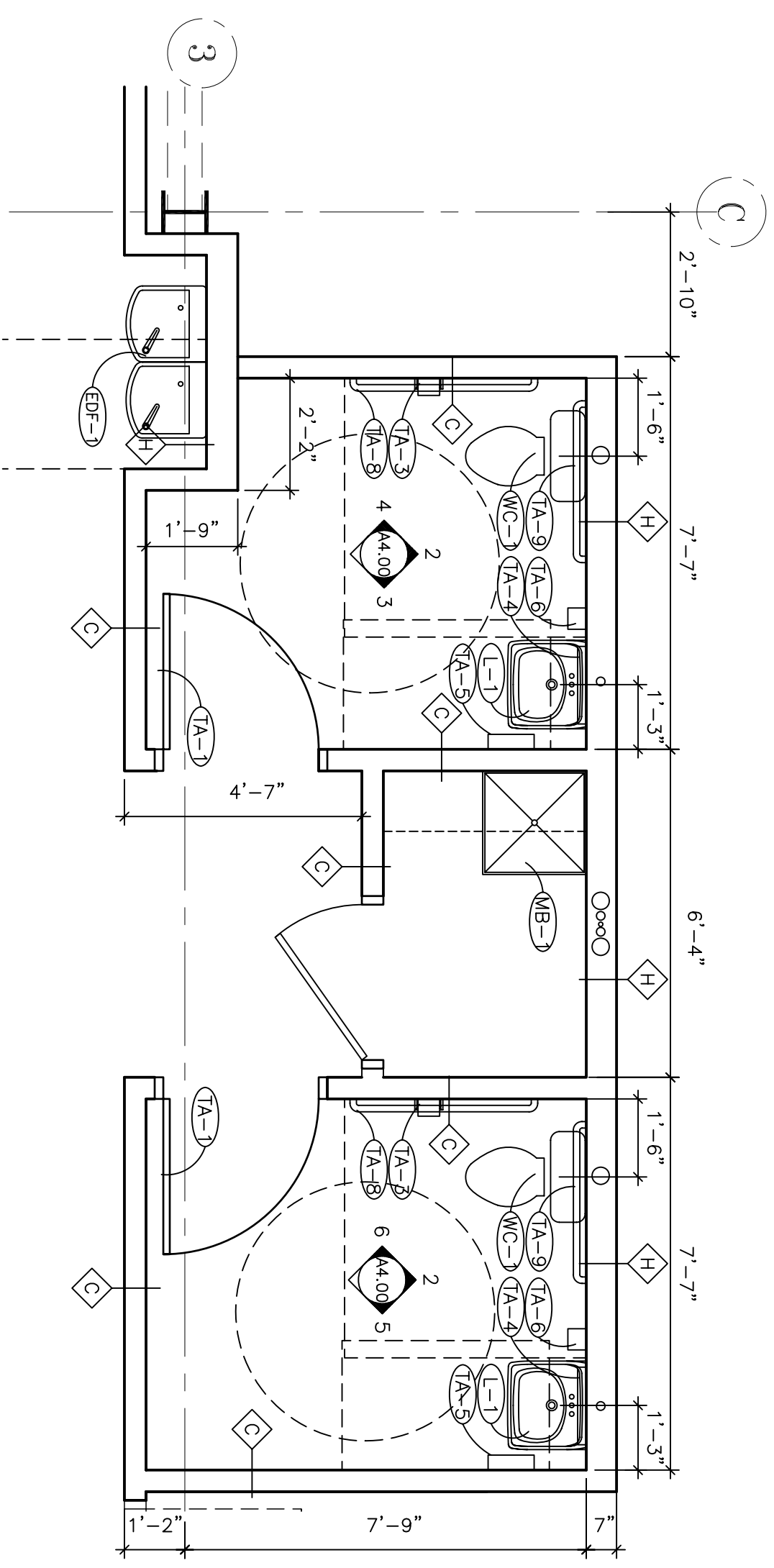
Sheet
**TOILET PLAN, ELEVATIONS &
ACCESSORIES**

Project Title
**Landmark Healthcare
Facilities LLC**
 Fore River Medical
 Pavilion
 Portland, Maine

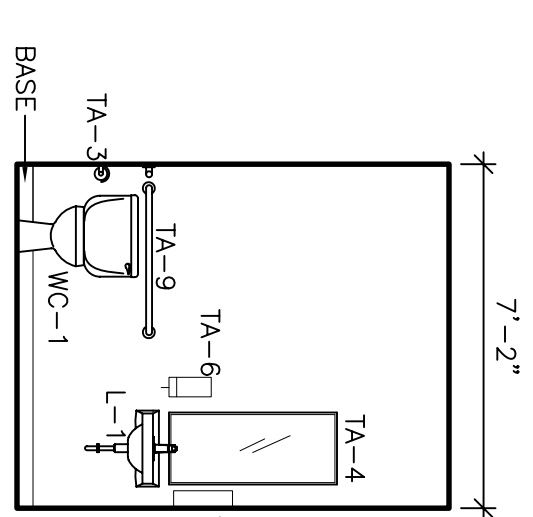
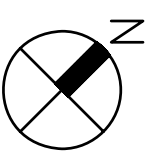
Date
NOVEMBER 20, 2006

Project Number
F06-5103

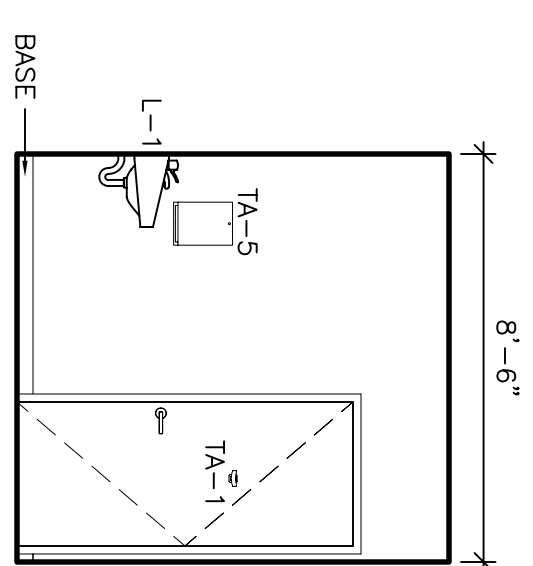
Drawing Number
A4.00



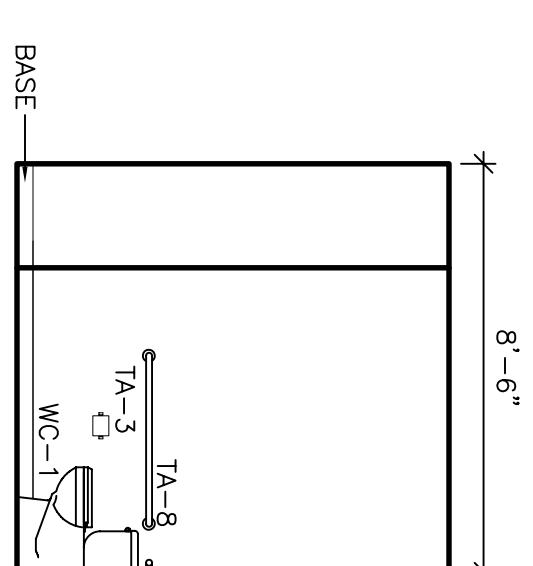
1 TYPICAL TOILET ROOM PLAN
 A4.00 3/8" = 1'-0"



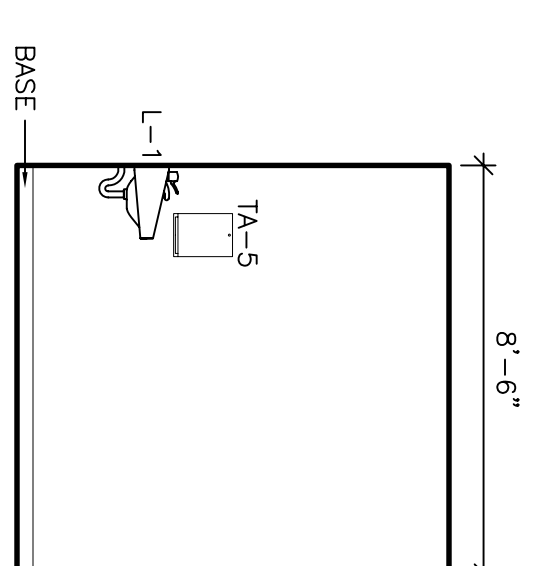
2 TOILET ROOM ELEVATION
 A4.00 1/4" = 1'-0"



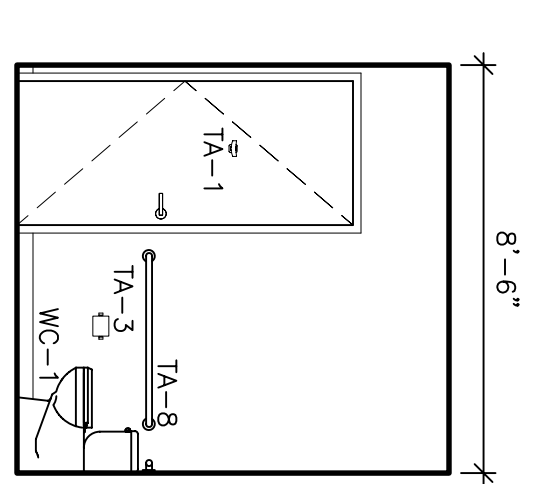
3 TOILET ROOM ELEVATION
 A4.00 1/4" = 1'-0"



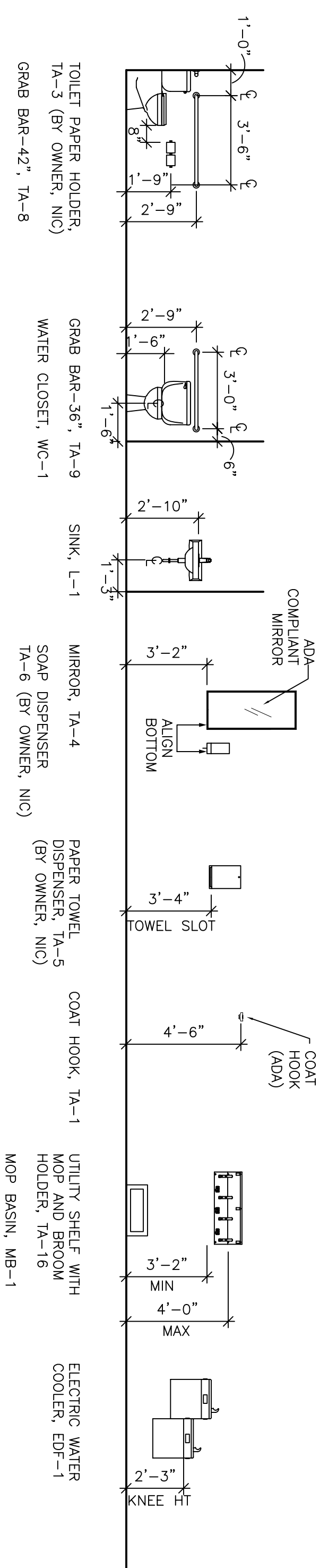
4 TOILET ROOM ELEVATION
 A4.00 1/4" = 1'-0"



5 TOILET ROOM ELEVATION
 A4.00 1/4" = 1'-0"



6 TOILET ROOM ELEVATION
 A4.00 1/4" = 1'-0"



7 TYPICAL MOUNTING HEIGHTS
 A4.00 1/4" = 1'-0"