

NOTES

FURNISH CENTRAL ANNUNCIATOR PANEL FOR PUMP SET AND DAY TANK WITH THE FOLLOWING FUNCTIONS, ALARMS AND ANNUNCIATIONS:

- a. FUEL PUMP MOTOR STARTERS.
- b. FUEL OIL PUMP MOTOR CIRCUIT BREAKERS.
- c. CONTROL FUSE.
- d. FUEL OIL PUMP SELECTOR SWITCH FOR HAND OR AUTOMATIC CHANGEOVER.
- e. LEAD/LAG ALTERNATOR RELAY FOR BACKUP PUMP OPERATION.

- g. LIGHT AND ALARM CONTACT FOR OIL LEAK IN PUMP SET AND DAY TANK RUPTURE BASIN(S).
- h. (1) HIGH LEVEL ALARM LIGHT.
- i. (1) LOW LEVEL ALARM LIGHT.
- j. (1) ALARM ACKNOWLEDGE BUTTON.
- k. (1) CONTROL POWER SWITCH.
- l. (1) POWER ON LIGHT.
- m. (2) LEVEL CONTROL PROBE W/4 SWITCHES.
- n. LEAD PUMP FAIL RELAY & LIGHT & ALARM.
- o. (1) PRESS TO TEST BUTTON FOR ALL ALARM AND INDICATING LIGHTS.
- p. (6) DRY CONTACTS FOR EACH COMMON ALARM AND ON/OFF STATUS TO INTERFACE WITH BMS.
- q. DISCONNECT FOR EACH PUMP MOTOR.
- r. COMMON ALARM BELL.
- s. ANNUNCIATION AND ALARM FOR LEAK DETECTION RUPTURE BASIN (RBS) SWITCHES INDICATED ON THE DRAWINGS.
- t. ALL CONTROL AND ALARM LOGIC SHALL BE PERFORMED BY A (PLC) PROGRAMMABLE LOGIC CONTROLLER, AND NOT ACCOMPLISHED BY RELAY LOGIC.

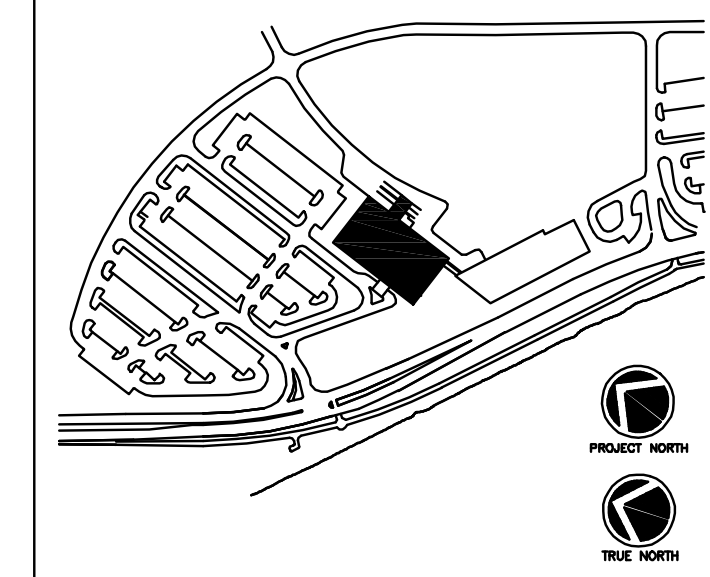
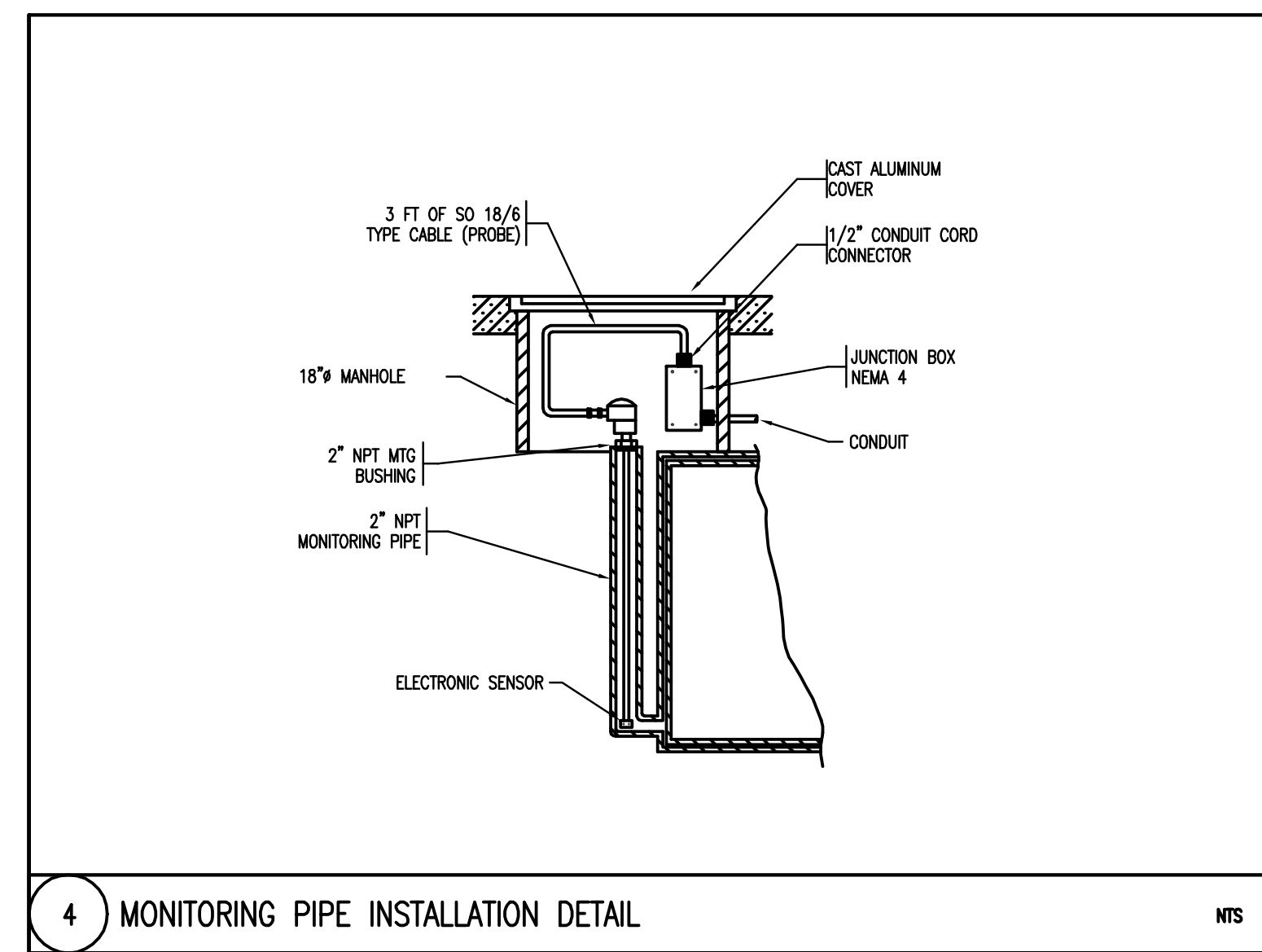
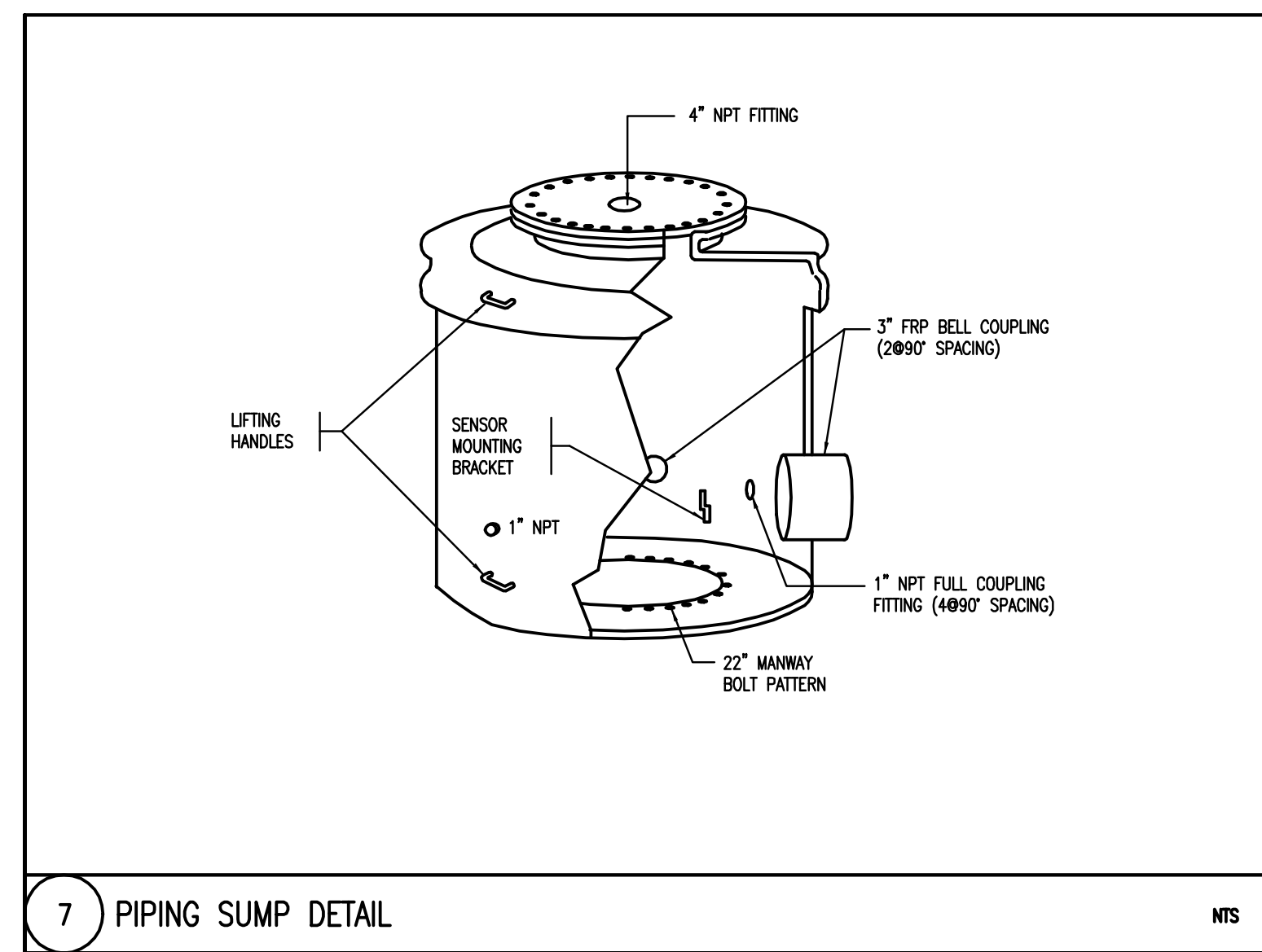
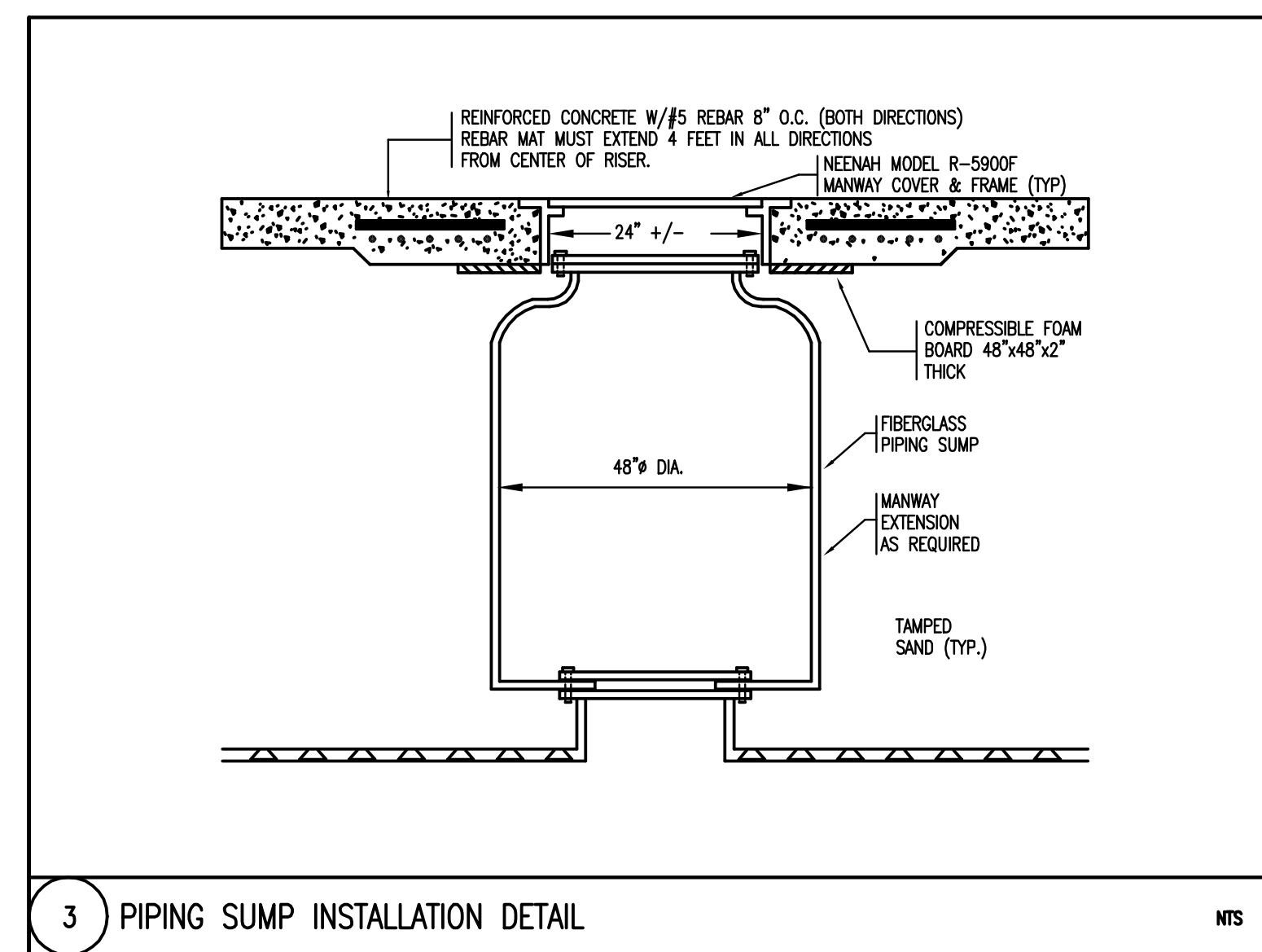
GENERAL NOTES:

- ALL MANHOLE COVERS AND FRAMES SHALL BE PROVIDED BY HVAC CONTRACTOR AND BE PERMANENTLY LABELLED WITH SERVICE IDENTIFICATION.
- ALL UNDERGROUND FUEL OIL SUPPLY AND RETURN PIPING SHALL BE WITHIN CONTAINMENT PIPING.
- ALL MANHOLE PENETRATIONS SHALL BE SEALED WATERTIGHT.

NOTES:

- MINIMUM 6" SAND BASE BETWEEN TANK & HOLDDOWN PAD.
- STRAP STRAPS EXTEND 6" BELOW TANK BOTTOM.
- STRAPS SHALL BE INSTALLED WITH PROTECTIVE LINER BETWEEN TANK & STRAP.
- STRAPS & GROUND ANCHORS SHALL BE INSTALLED IN SUCH A MANNER NOT TO DAMAGE THE PROTECTIVE TANK COATING.
- FILL TANK EXCAVATION WITH PEA STONE HAND TAMPED EVERY 6".
- ENTIRE EXCAVATION SHALL BE LINED ON ALL SIDES AND BOTTOM WITH A FILTER FABRIC TO PREVENT PEA STONE WASHOUT.

6 TANK SECTION



Consultant
CIVIL ENGINEER
 DeLuca-Hoffman Associates, Inc.
 778 Main Street, Suite 8
 South Portland, ME 04106
 Phone: (207) 775-1121
 Fax: (207) 879-0896

Consultant
ASSOCIATE ARCHITECT/STRUCTURAL ENGINEER
 SMRT
 144 Fore Street P.O. Box 618
 Portland, Maine 04104
 Phone: (207) 772-3846
 Fax: (207) 772-1070

Consultant
MECHANICAL/ELECTRICAL ENGINEER
 The Arsenal on the Charles
 311 Arsenal Street
 Watertown, MA 02472-5789
 Phone: 617.254.0016
 Fax: 617.924.9339

Consultant
EQUIPMENT PLANNING
 Gene Burton & Associates
 1893 General George Patton Drive
 Franklin, Tennessee 37067
 Phone: (615) 376-3100
 Fax: (615) 376-3114

Consultant
CONSTRUCTION MANAGER
 Gibbons Building Company
 7 Jackson Walkway
 Providence, Rhode Island 02903
 Phone: (401) 456-5905
 Fax: (401) 456-5516

Consultant
FOOD SERVICE
 Inman Foodservice, LLC
 1808 West End Ave, Suite 1400
 Nashville, TN 37203
 Phone: (615) 321-5591
 Fax: (615) 321-5689

It is the responsibility of the Construction Manager/General Contractor and all Sub-Contractors to verify all dimensions and accept conditions of prior work by related trades before proceeding with any work.

Date
 11/10/06 Final-Issued for Construction
 Drawn By
 RWA
 Scale
 NTS

Francis

Cauffman

Foley

Hoffmann

Francis Cauffman 2120 Arch Street
 Foley Hoffmann Philadelphia, PA 19103
 Architects Ltd. 215-568-8250

Project Title

Mercy Health Care System of Maine

FORE RIVER SHORT STAY HOSPITAL



Project Number
 F05-4898

Drawing Title and Number
 HVAC
 FUEL OIL DETAILS

H5.05