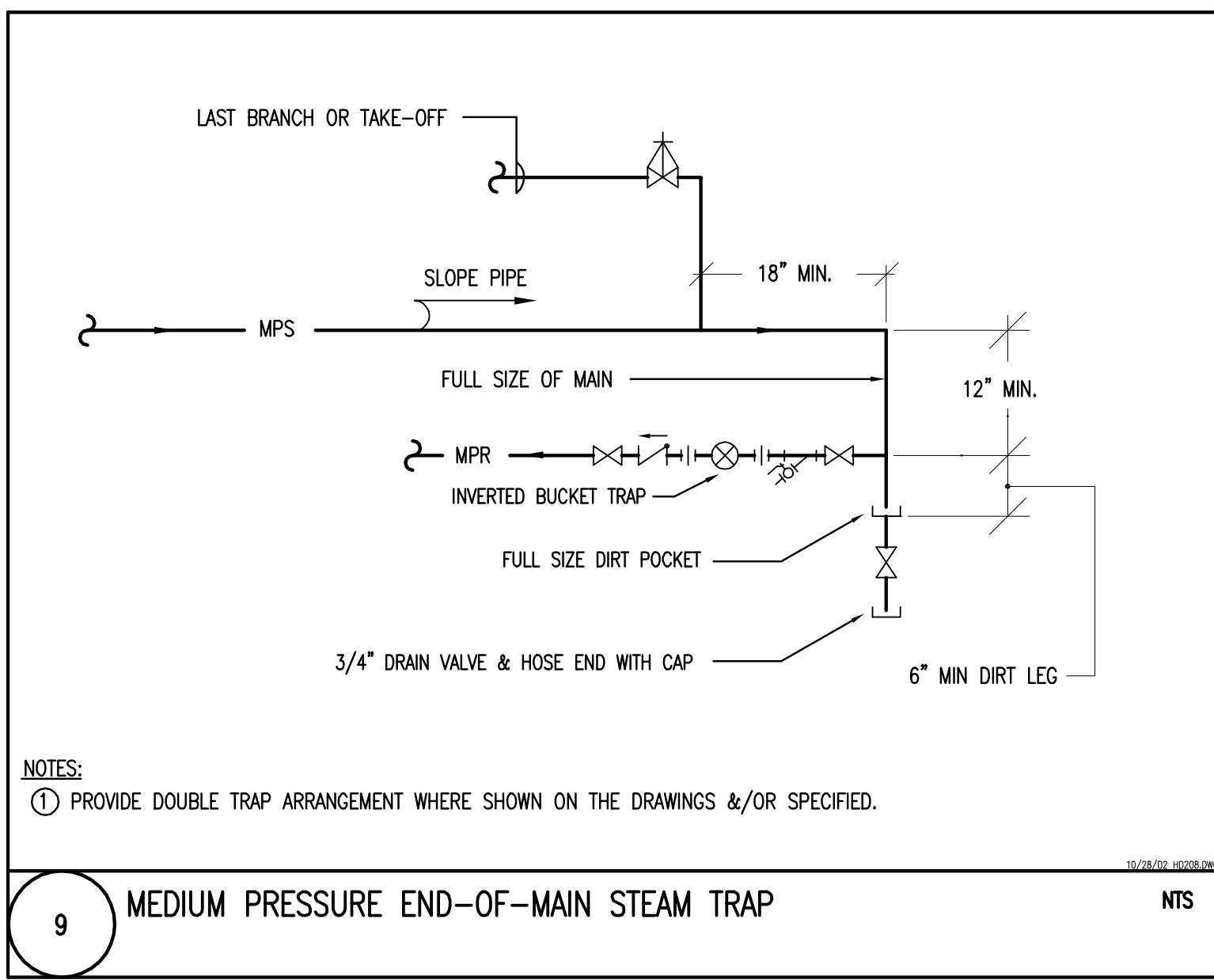
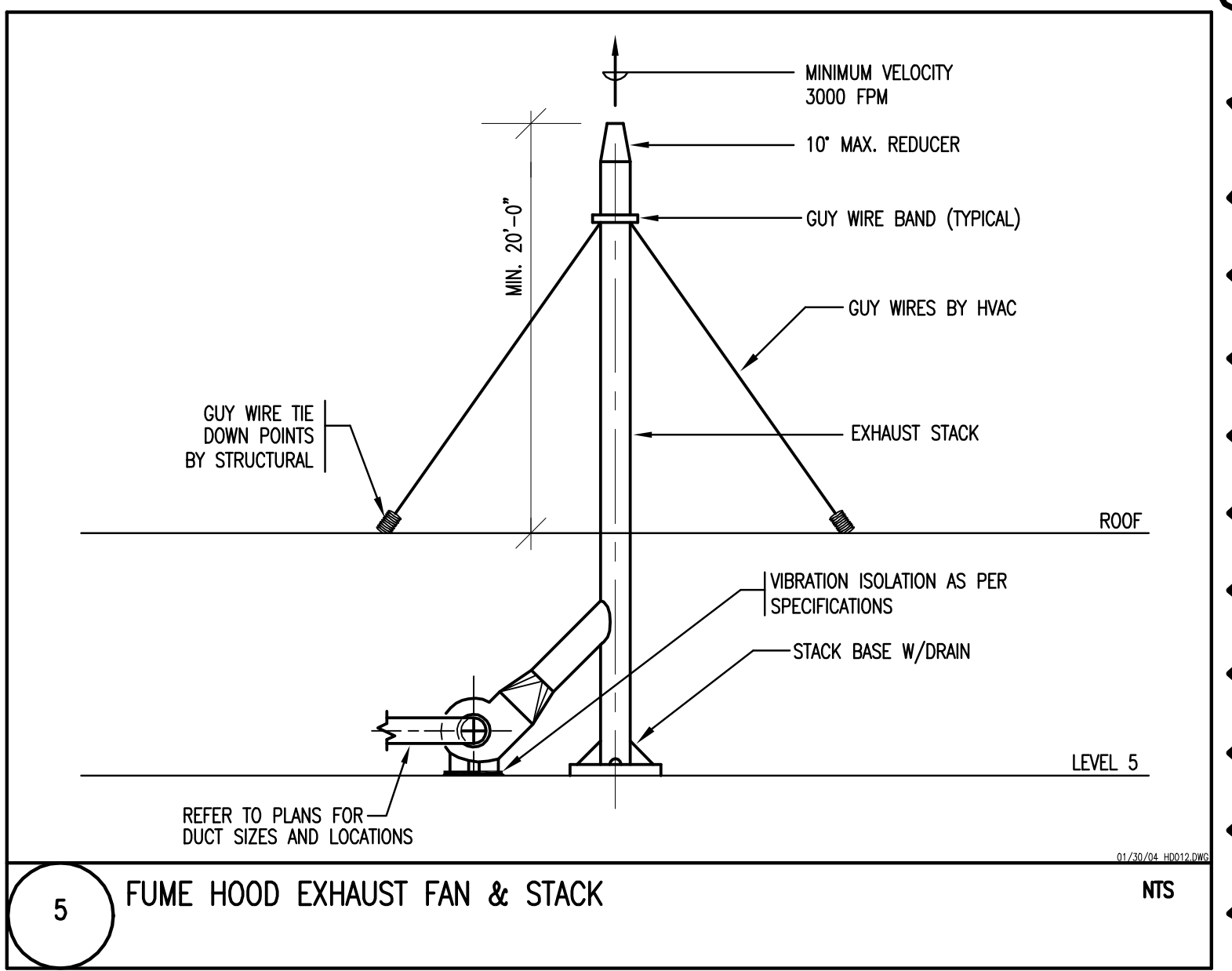


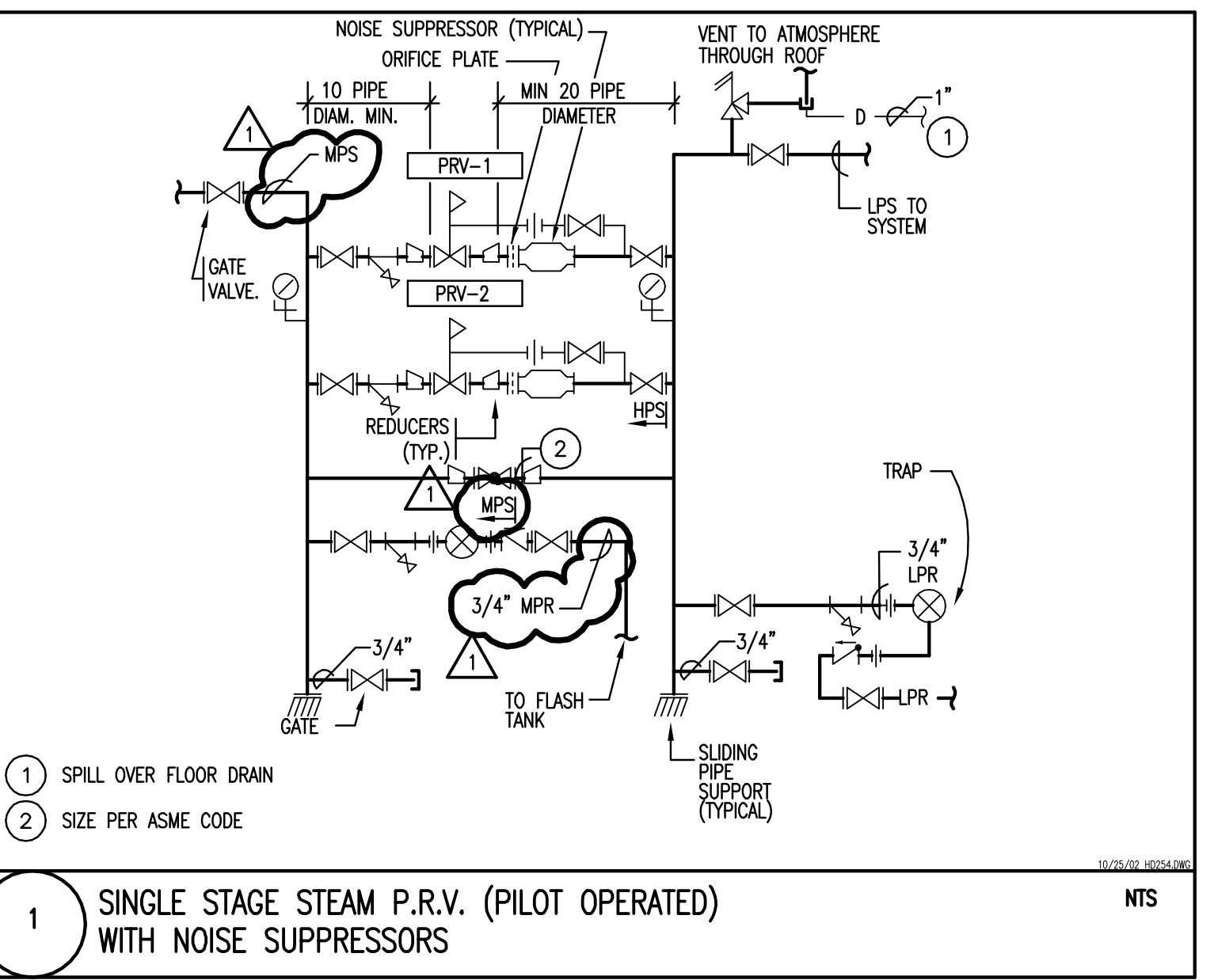
13 GLYCOL FEEDER NTS



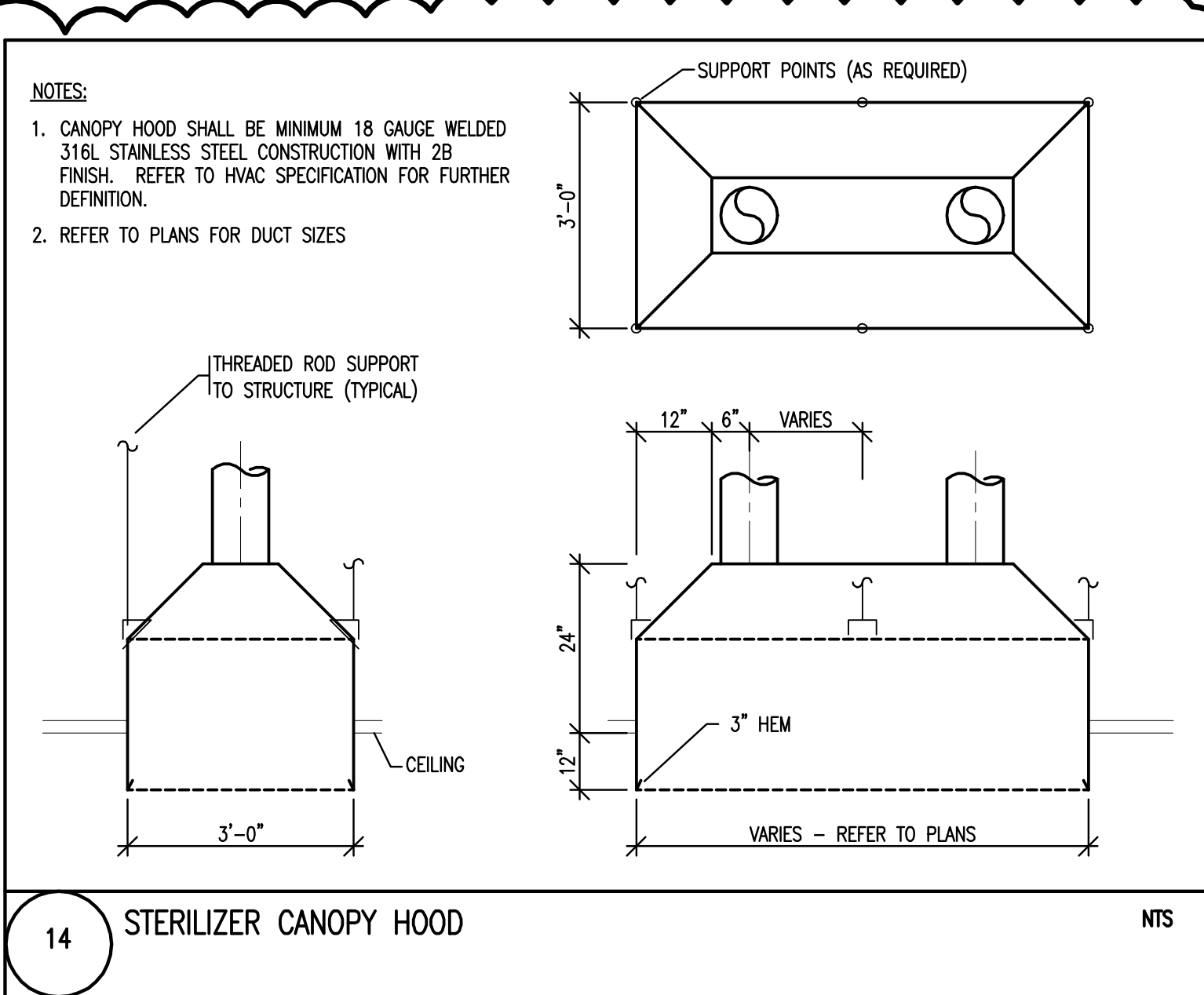
9 MEDIUM PRESSURE END-OF-MAIN STEAM TRAP NTS



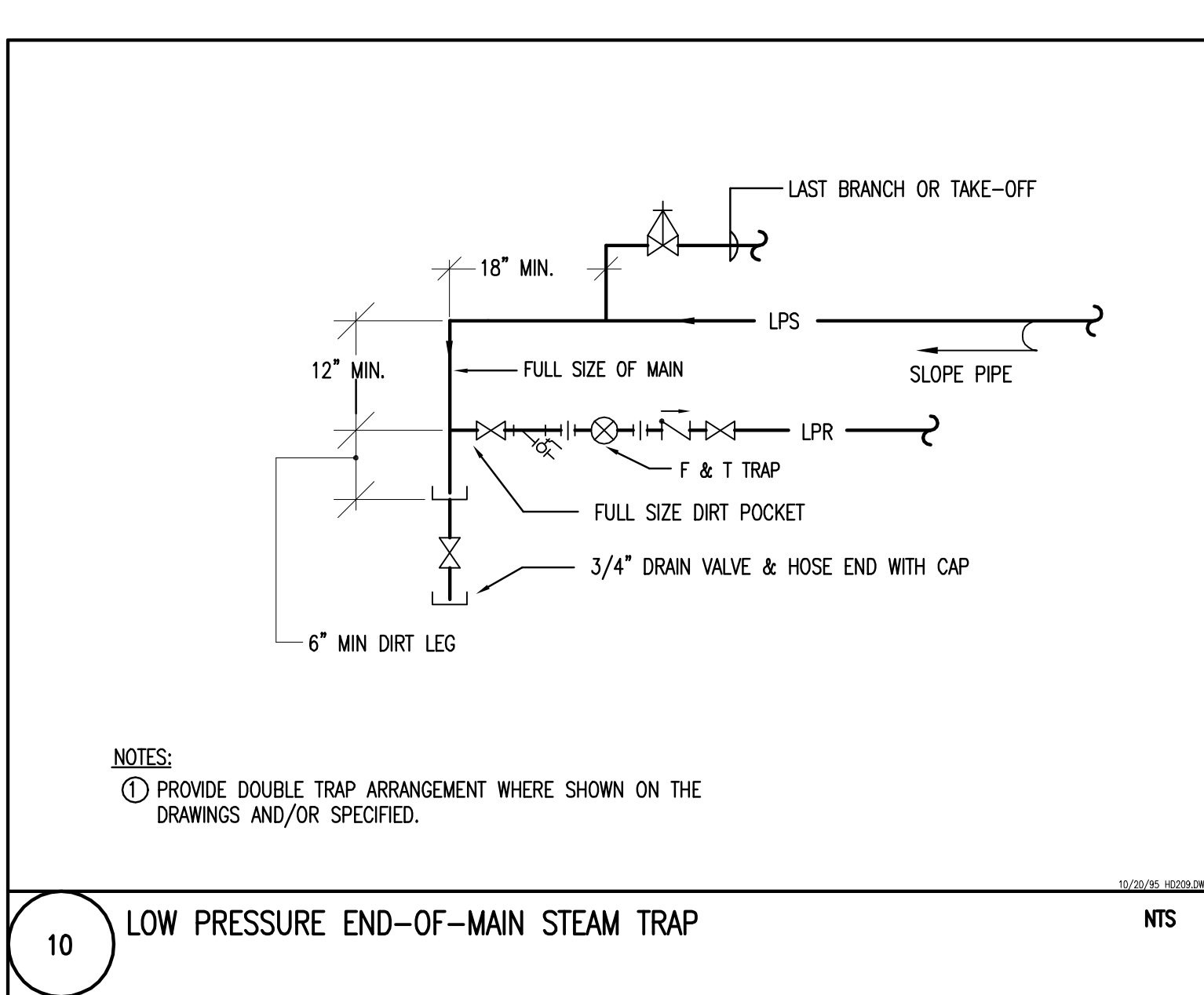
5 FUME HOOD EXHAUST FAN & STACK NTS



1 SINGLE STAGE STEAM P.R.V. (PILOT OPERATED) WITH NOISE SUPPRESSORS NTS



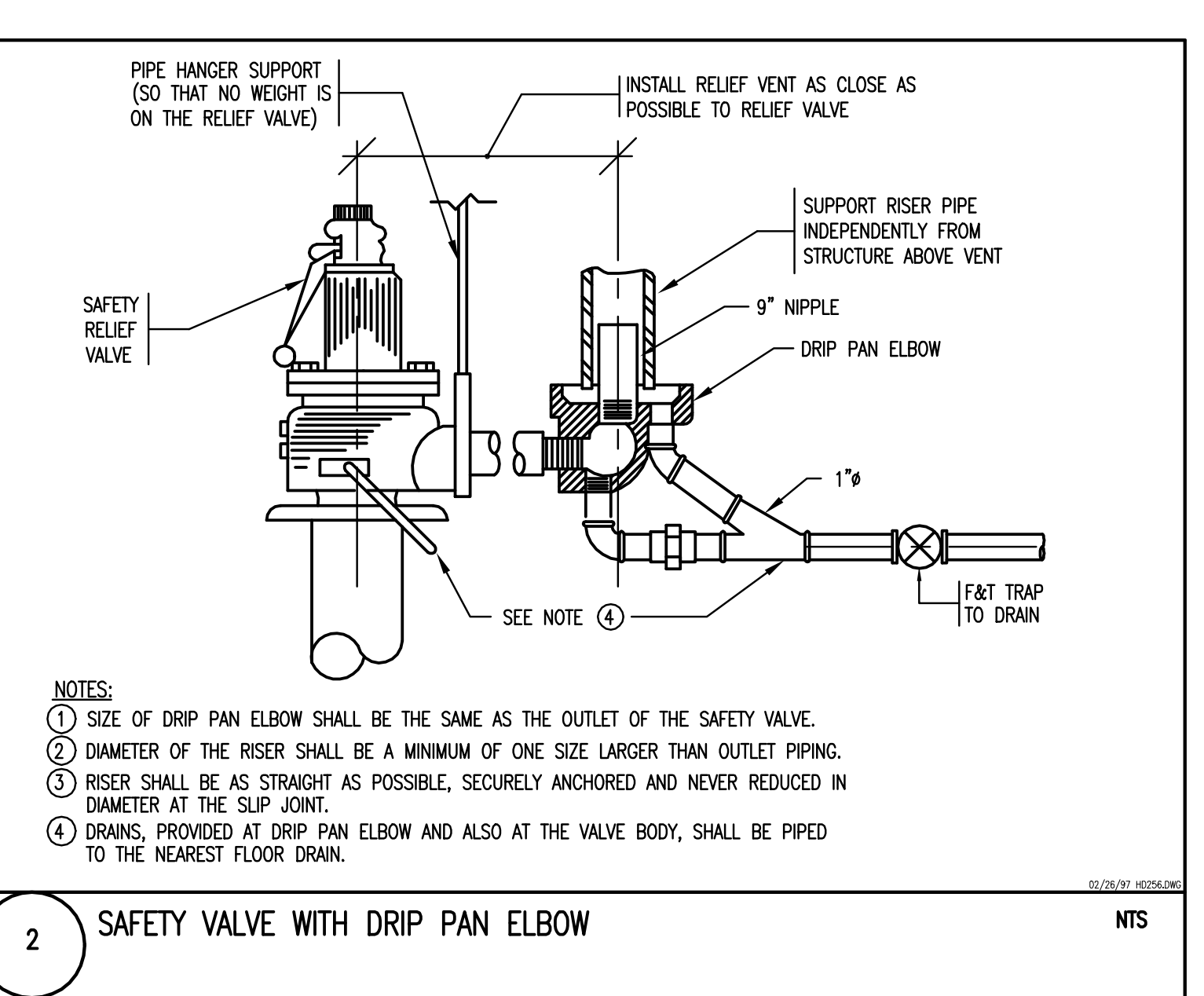
14 STERILIZER CANOPY HOOD NTS



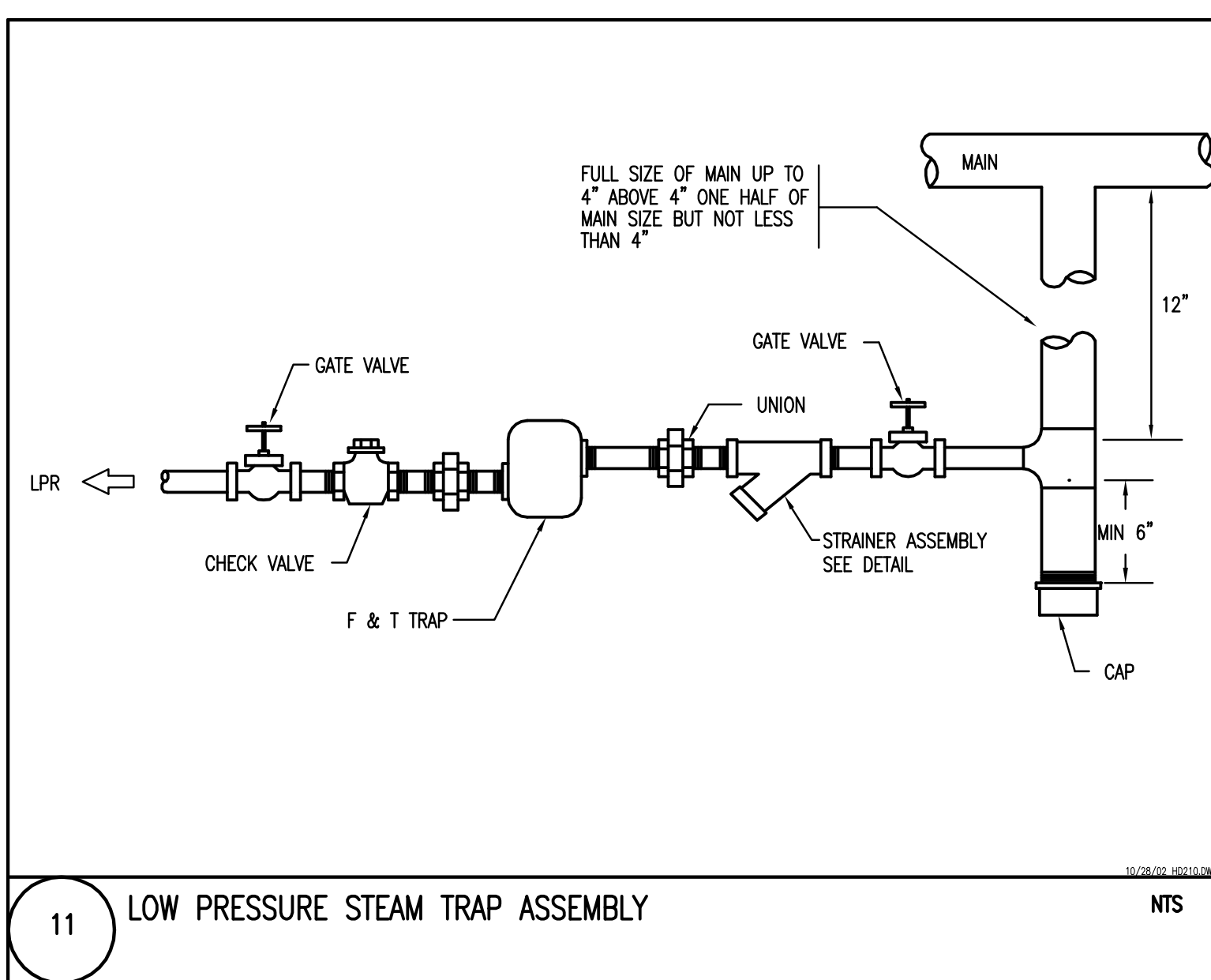
10 LOW PRESSURE END-OF-MAIN STEAM TRAP NTS



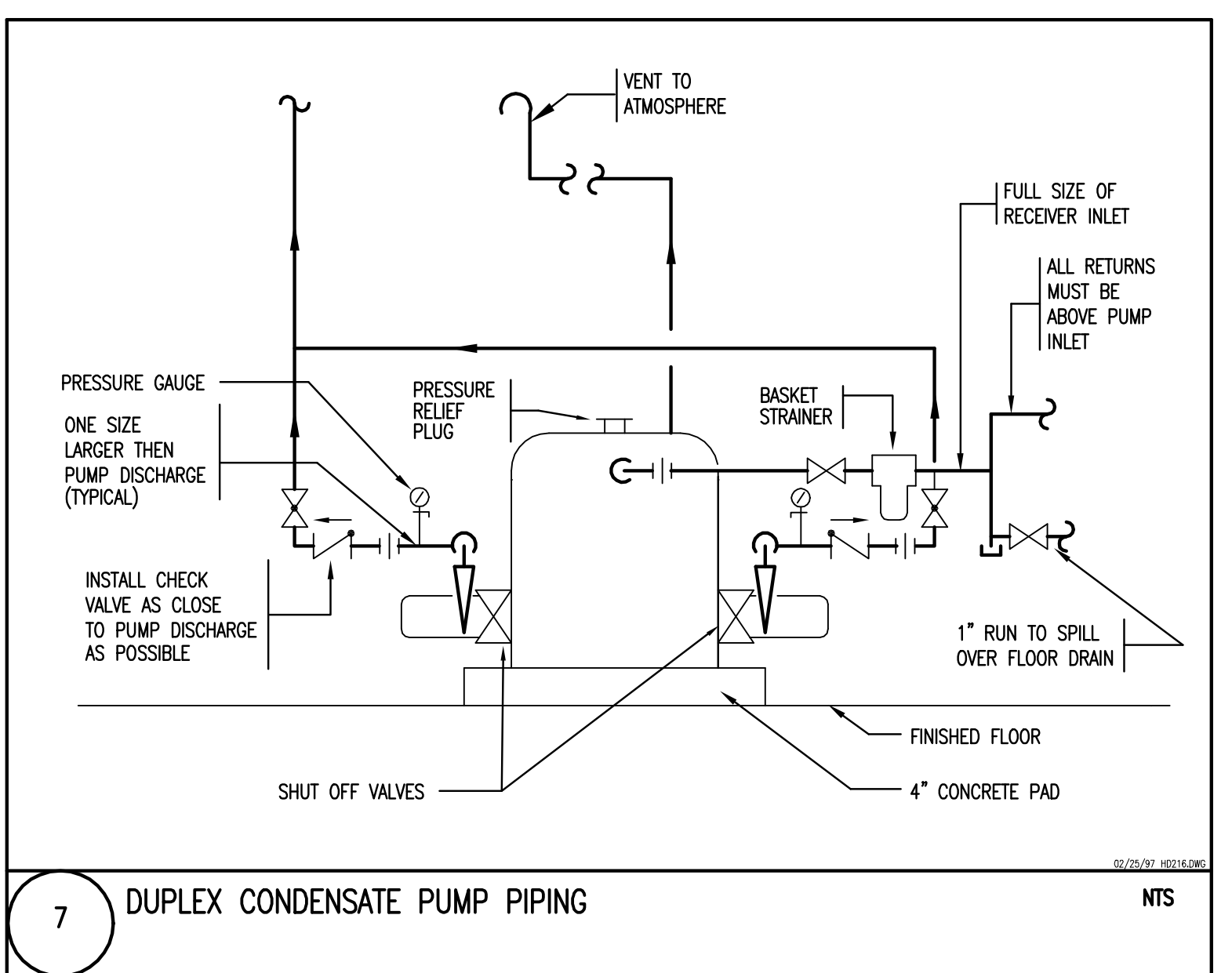
2 SAFETY VALVE WITH DRIP PAN ELBOW NTS



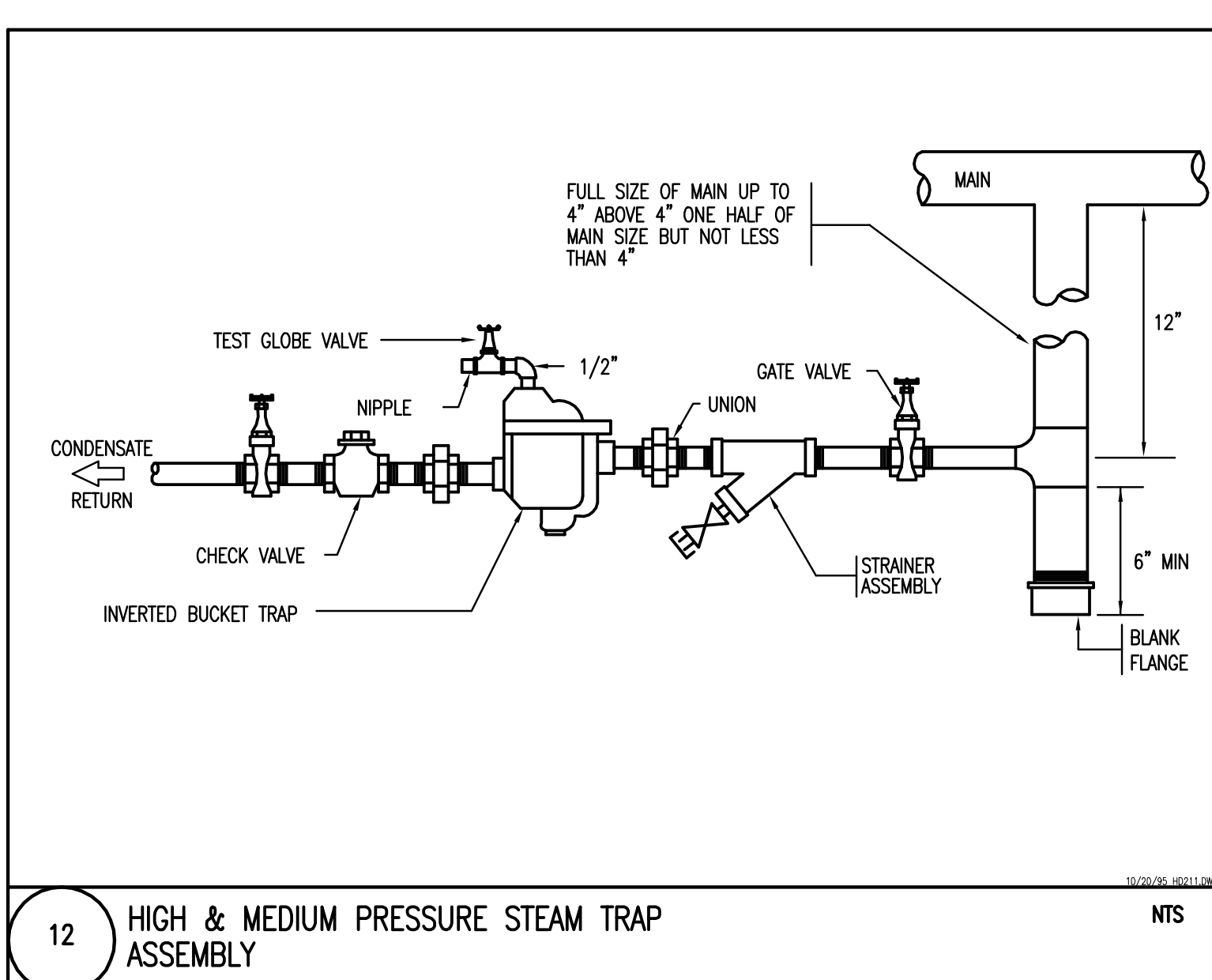
7 DUPLEX CONDENSATE PUMP PIPING NTS



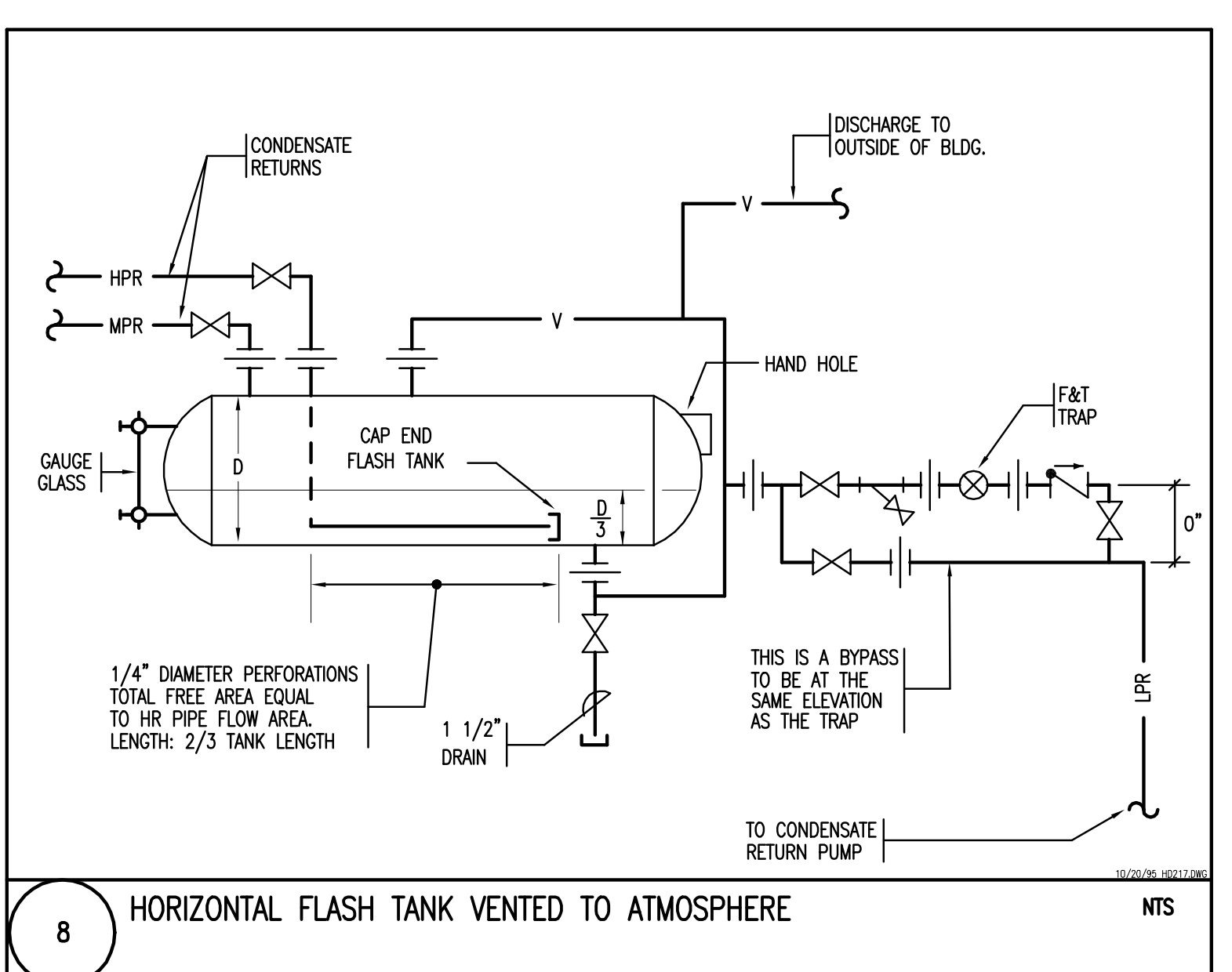
11 LOW PRESSURE STEAM TRAP ASSEMBLY NTS



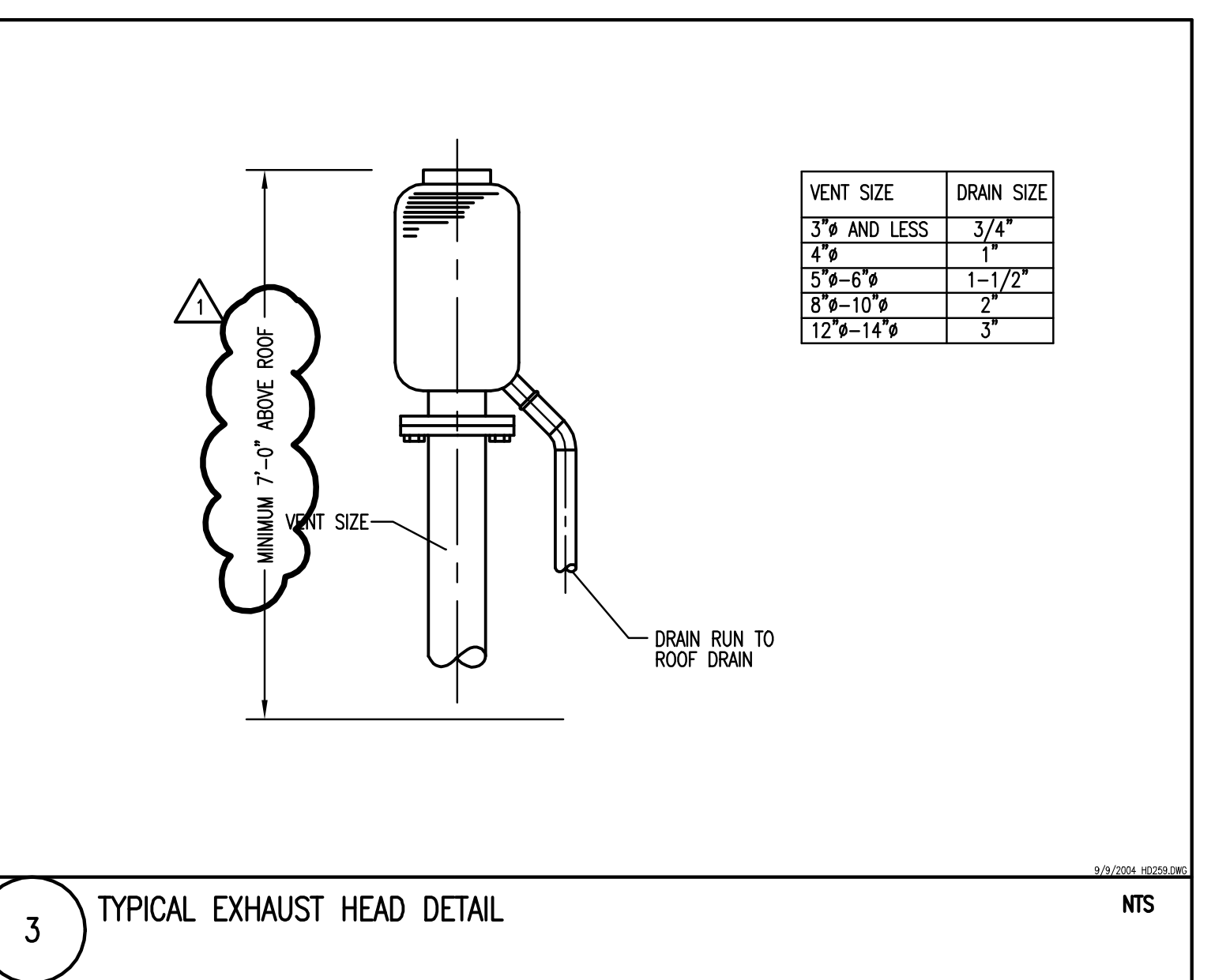
3 TYPICAL EXHAUST HEAD DETAIL NTS



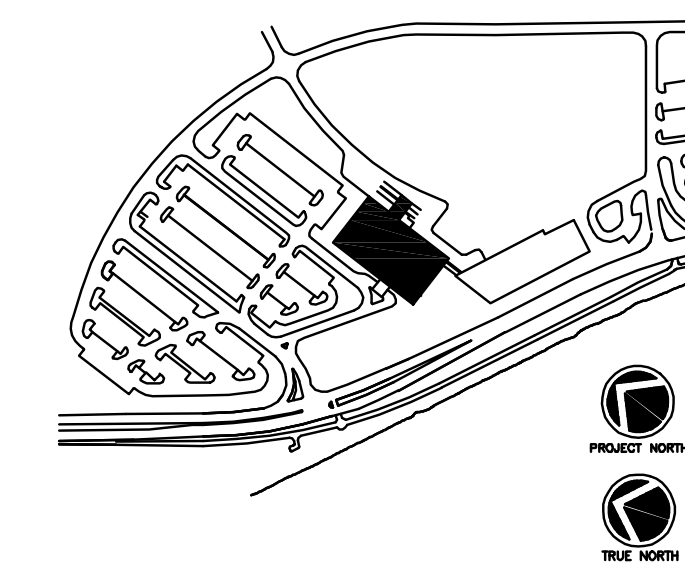
12 HIGH & MEDIUM PRESSURE STEAM TRAP ASSEMBLY NTS



8 HORIZONTAL FLASH TANK VENTED TO ATMOSPHERE NTS



4 COOLING TOWER PIPING NTS



Consultant
 CIVIL ENGINEER
 DeLuca-Hoffman Associates, Inc.
 778 Main Street, Suite 8
 South Portland, ME 04106
 Phone: (207) 775-1121
 Fax: (207) 879-0896

Consultant
 ASSOCIATE ARCHITECT/STRUCTURAL ENGINEER
 SMRT
 144 Fore Street P.O. Box 618
 Portland, Maine 04104
 Phone: (207) 772-3846
 Fax: (207) 772-1070

Consultant
 MECHANICAL/ELECTRICAL ENGINEER
 The Arsenal on the Chieries
 311 Arsenal Street
 Watertown, MA 02472-5789
 Phone: (617) 376-3100
 Fax: (617) 924-9339

Consultant
 EQUIPMENT PLANNING
 Gene Burton & Associates
 1893 General George Patton Drive
 Franklin, Tennessee 37067
 Phone: (615) 376-3100
 Fax: (615) 376-3114

Consultant
 CONSTRUCTION MANAGER
 Gibbons Building Company
 7 Jackson Walkway
 Providence, Rhode Island 02903
 Phone: (401) 456-5905
 Fax: (401) 456-5516

Consultant
 FOOD SERVICE
 Inman Foodservice, LLC
 1808 West End Ave, Suite 1400
 Nashville, TN 37203
 Phone: (615) 321-5591
 Fax: (615) 321-5689

It is the responsibility of the Construction Manager/General Contractor and all Sub-Contractors to verify all dimensions and accept conditions of prior work by related trades before proceeding with any work.

Date
 11/10/06 Final-Issued for Construction
 Drawn By
 FA
 Scale
 N.T.S.

Francis
 Cauffman
 Foley
 Hoffmann

Francis Cauffman
 Foley Hoffmann
 Architects Ltd.
 2120 Arch Street
 Philadelphia, PA 19103
 215-568-8250

Project Title
 Mercy Health Care
 System of Maine
 FORE RIVER SHORT
 STAY HOSPITAL

Project Number
 F05-4898
 Drawing Title and Number
 HVAC
 STANDARD DETAILS

H5.04