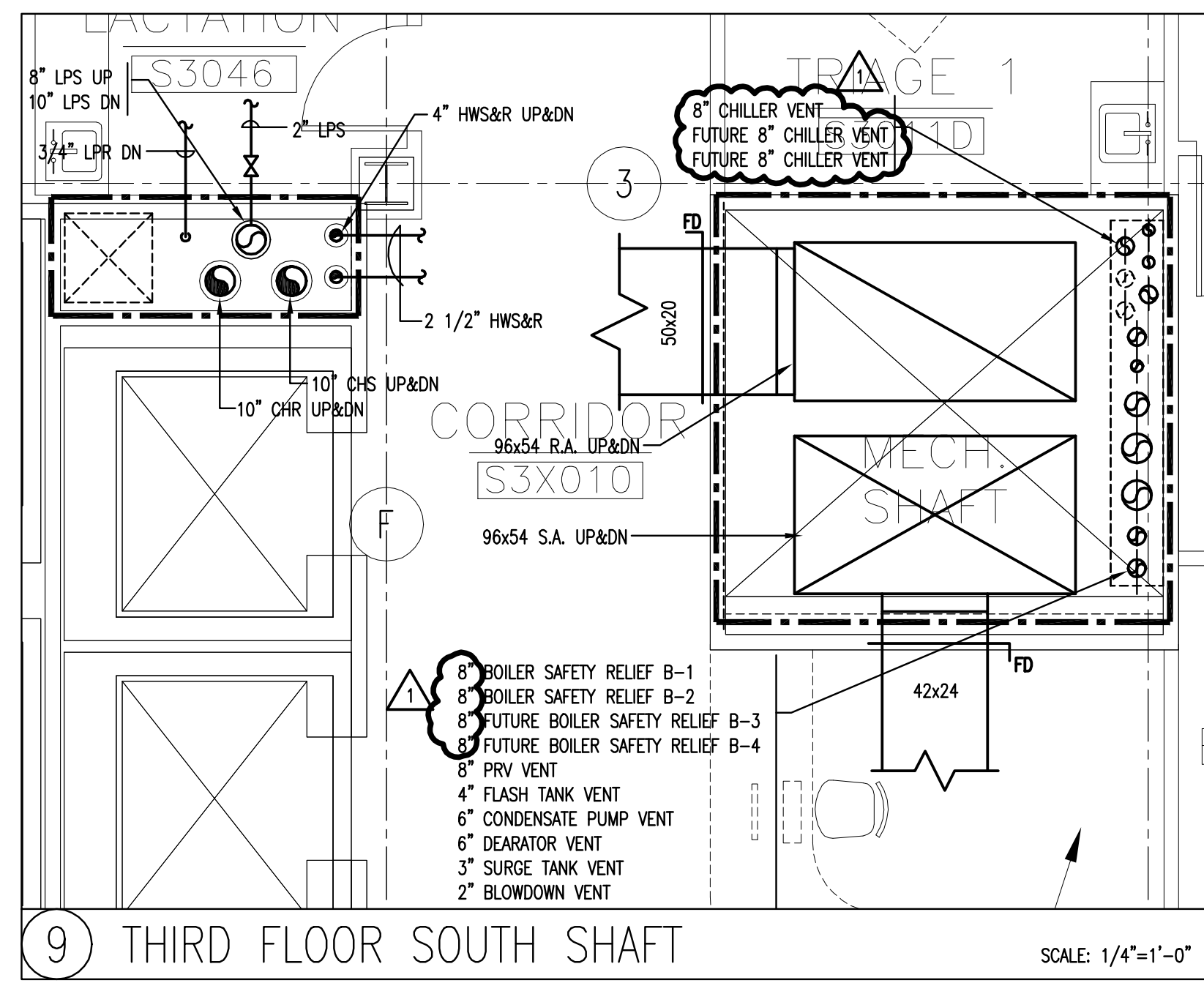
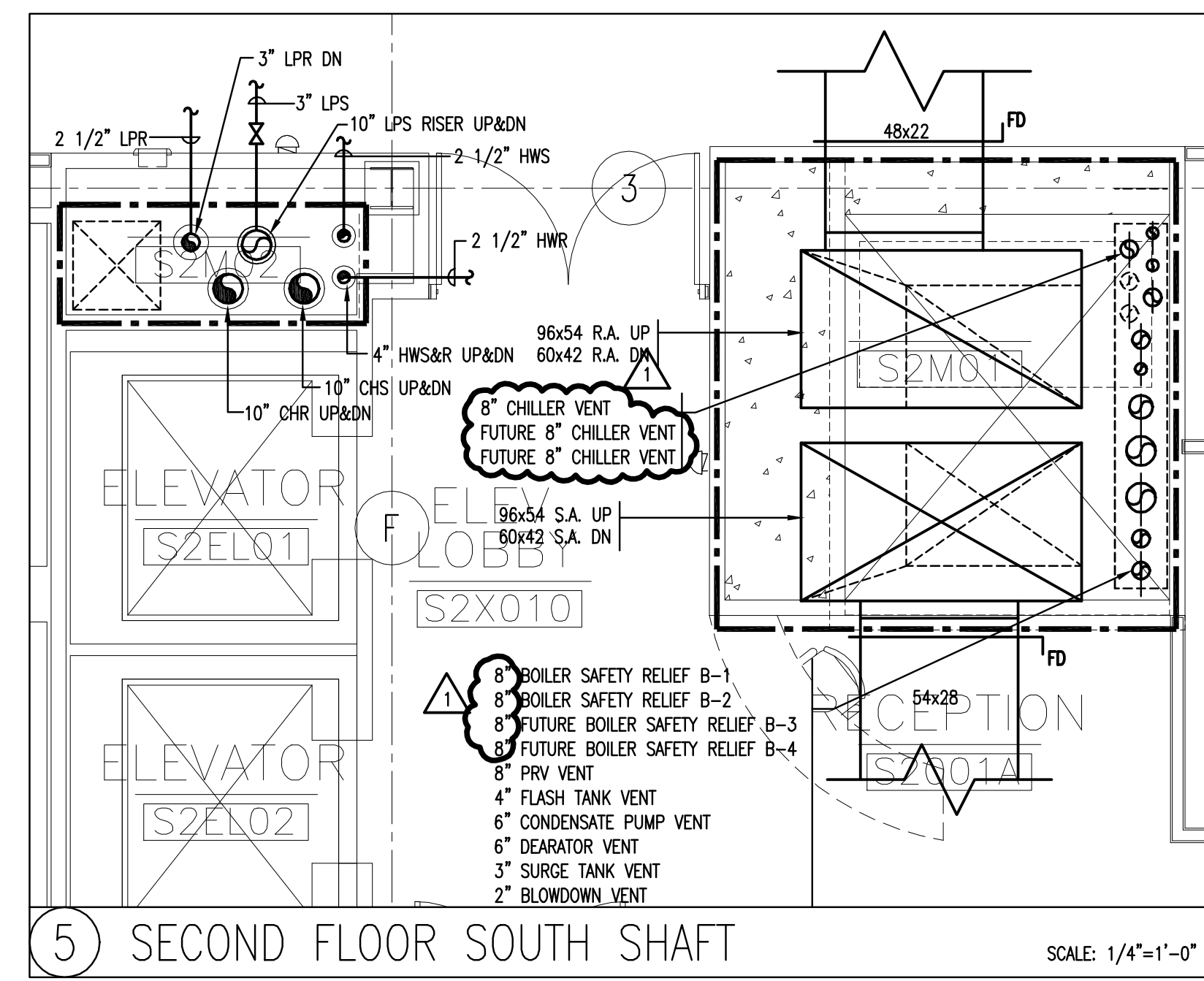


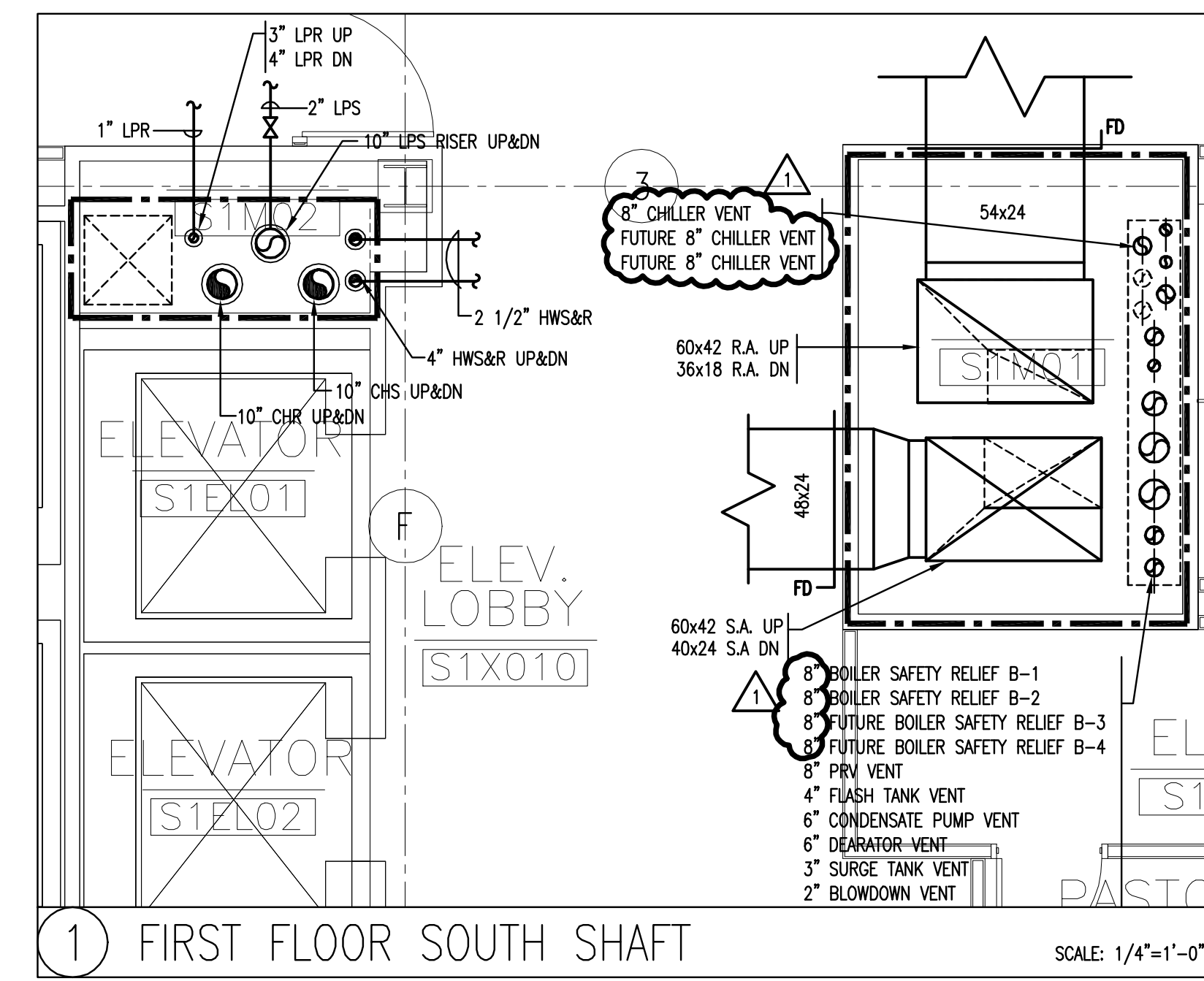
13) FOURTH FLOOR SOUTH SHAFT SCALE: 1/4"=1'-0"



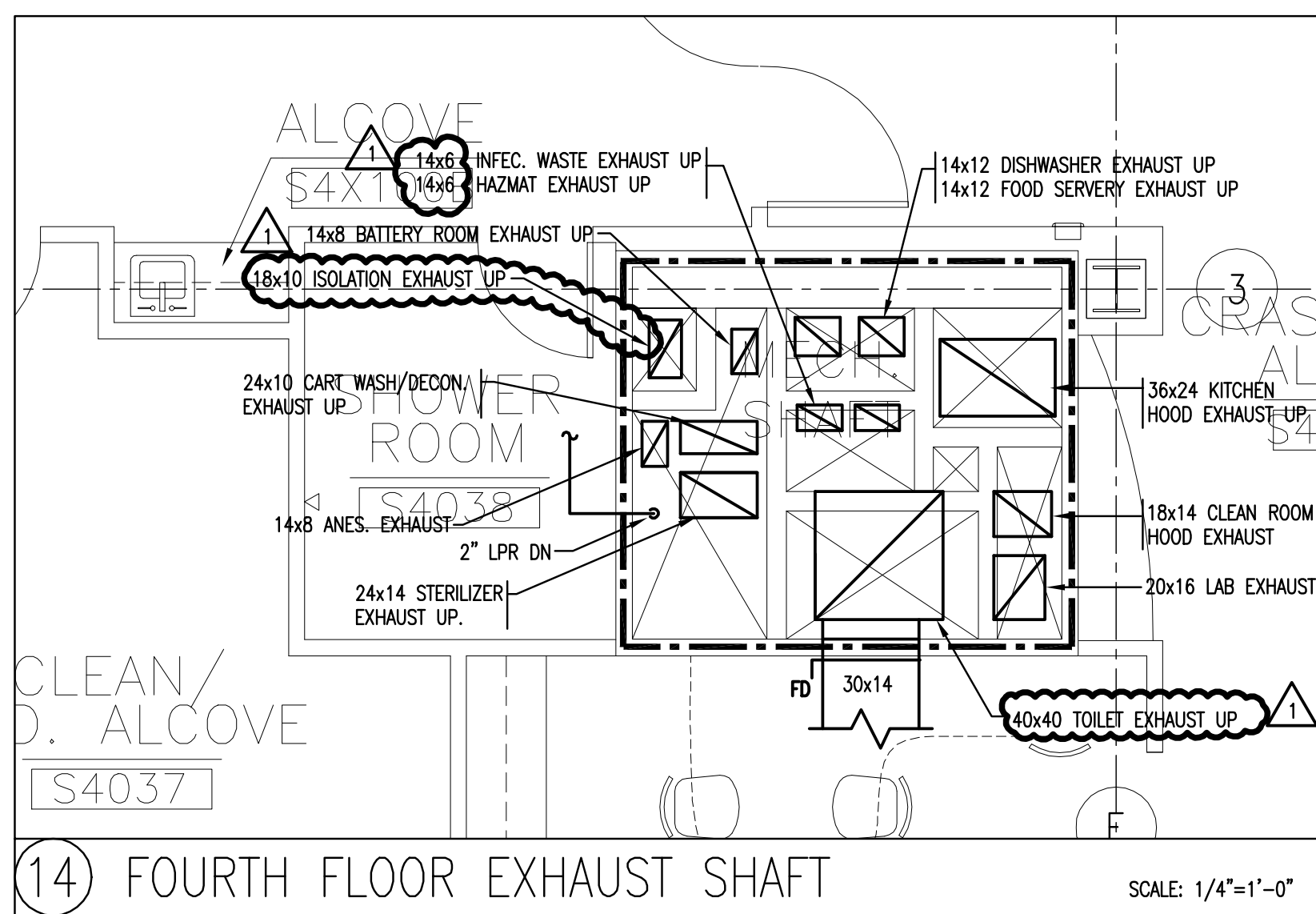
9) THIRD FLOOR SOUTH SHAFT SCALE: 1/4"=1'-0"



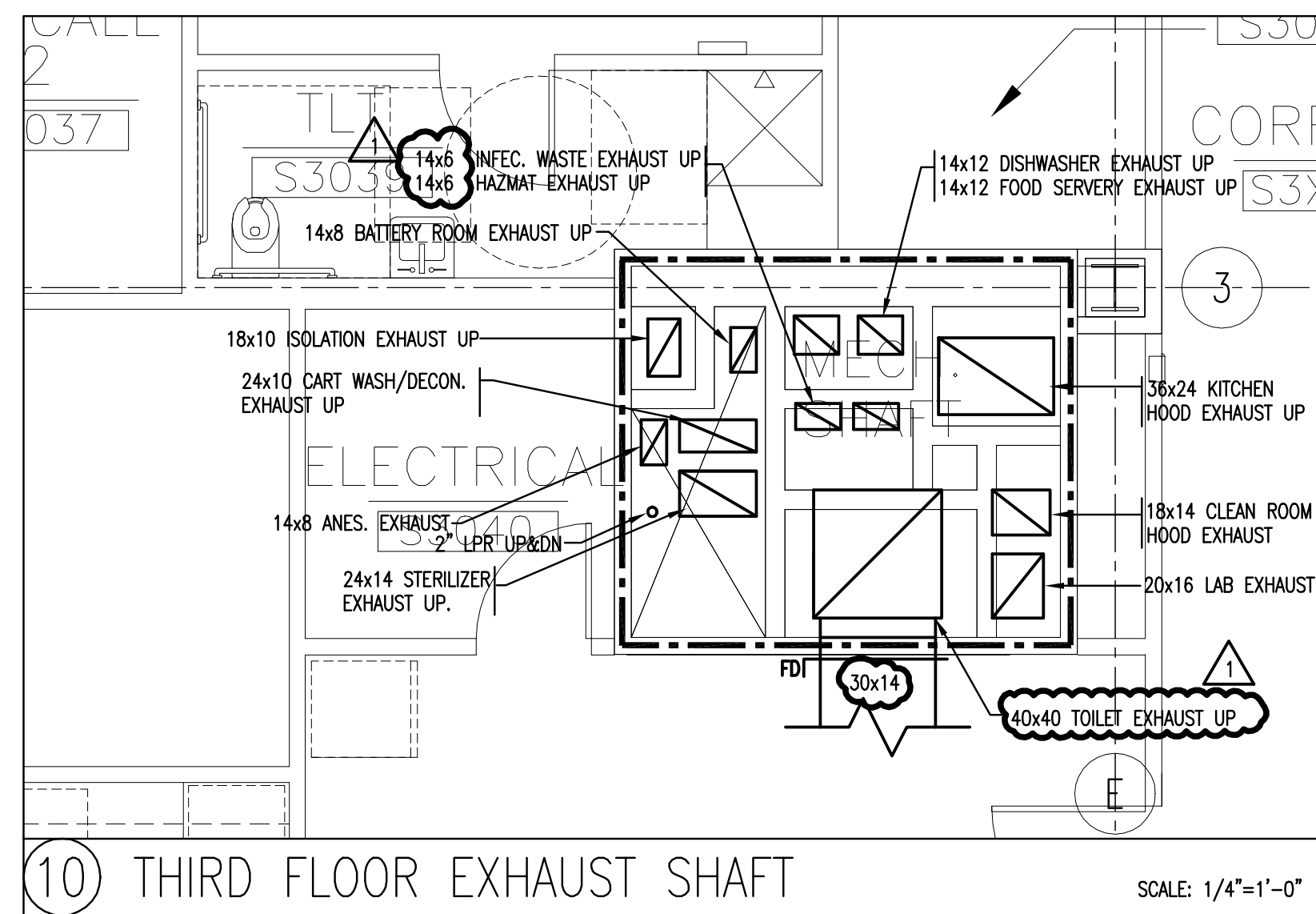
5) SECOND FLOOR SOUTH SHAFT SCALE: 1/4"=1'-0"



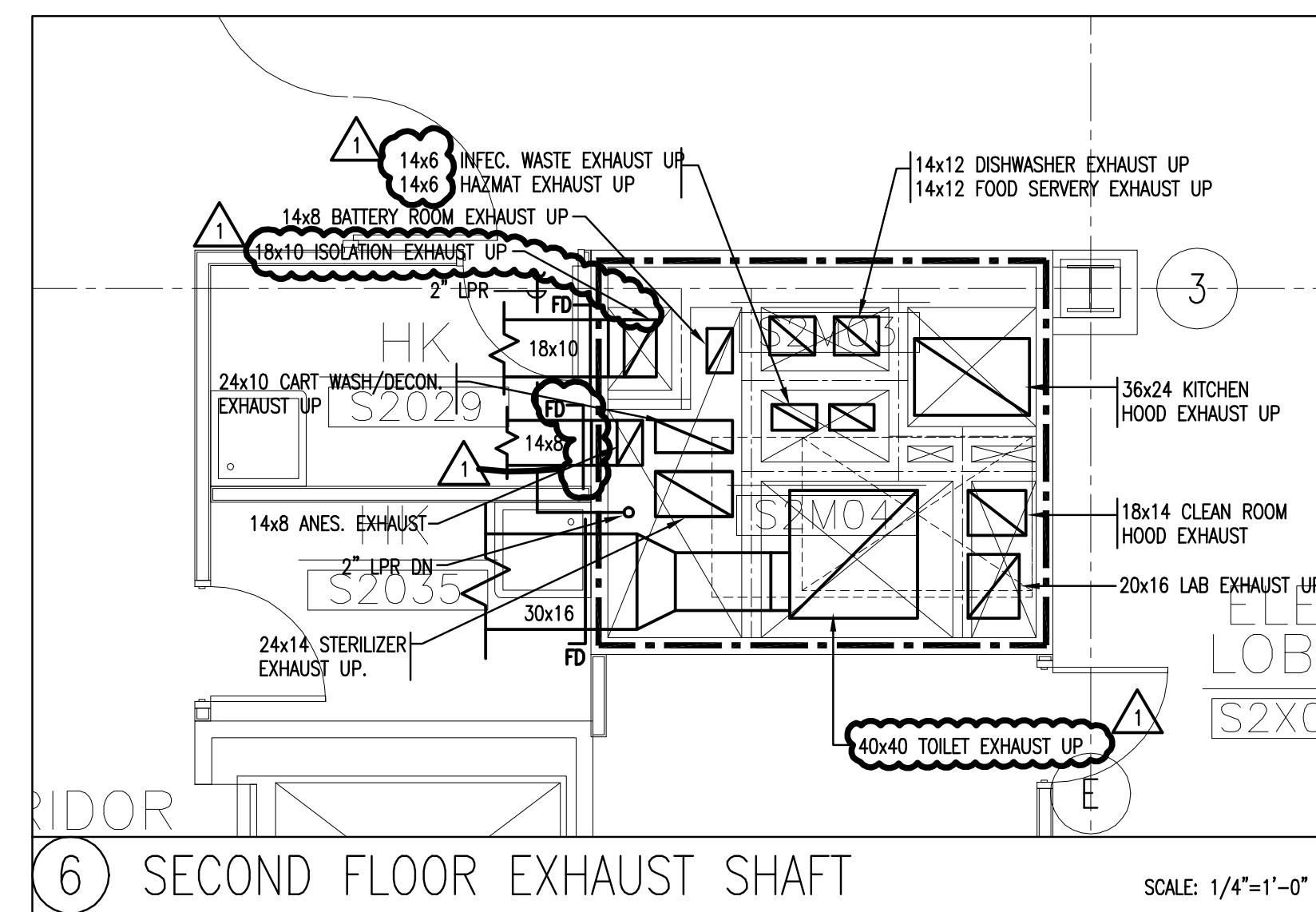
1) FIRST FLOOR SOUTH SHAFT SCALE: 1/4"=1'-0"



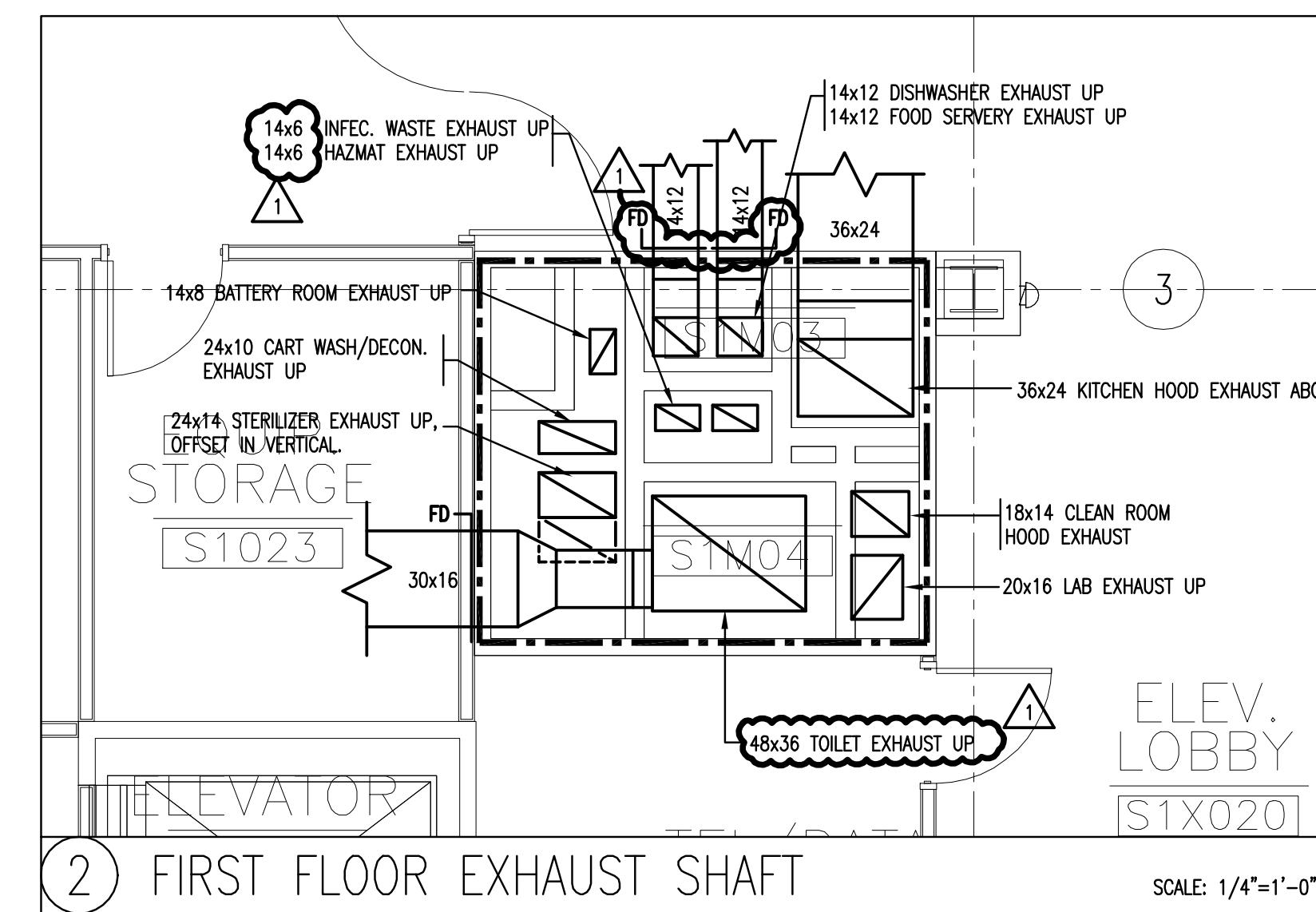
14) FOURTH FLOOR EXHAUST SHAFT SCALE: 1/4"=1'-0"



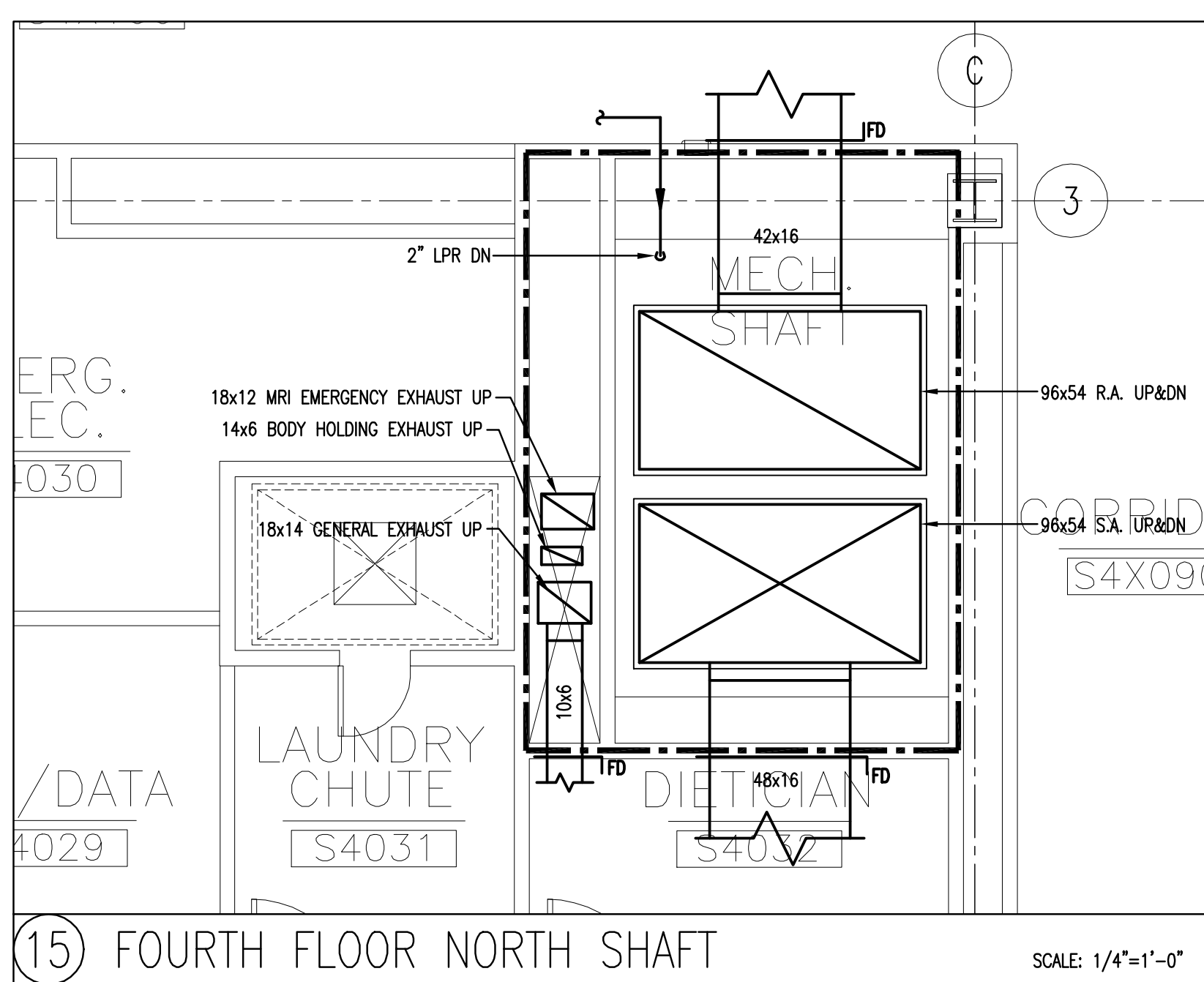
10) THIRD FLOOR EXHAUST SHAFT SCALE: 1/4"=1'-0"



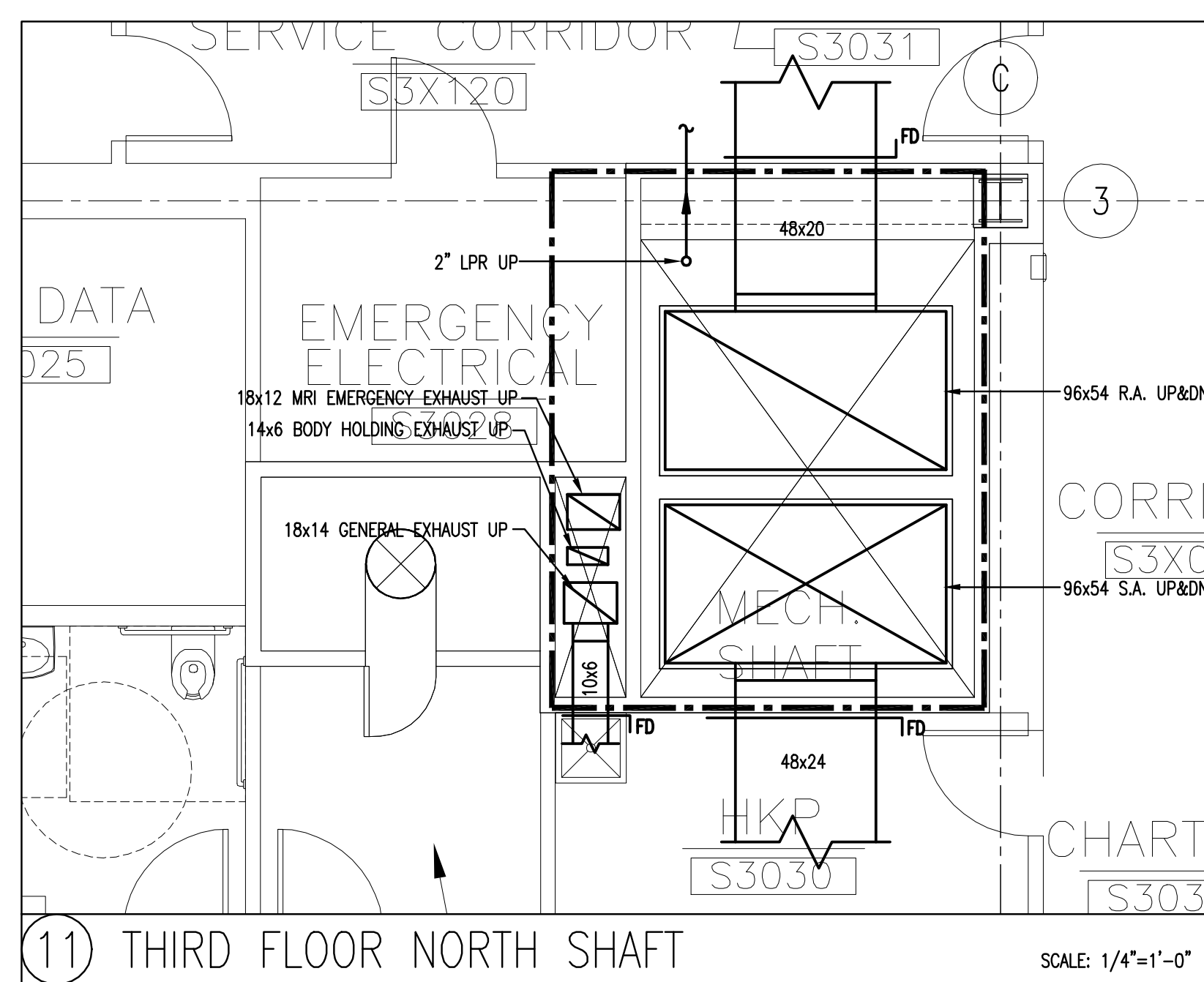
6) SECOND FLOOR EXHAUST SHAFT SCALE: 1/4"=1'-0"



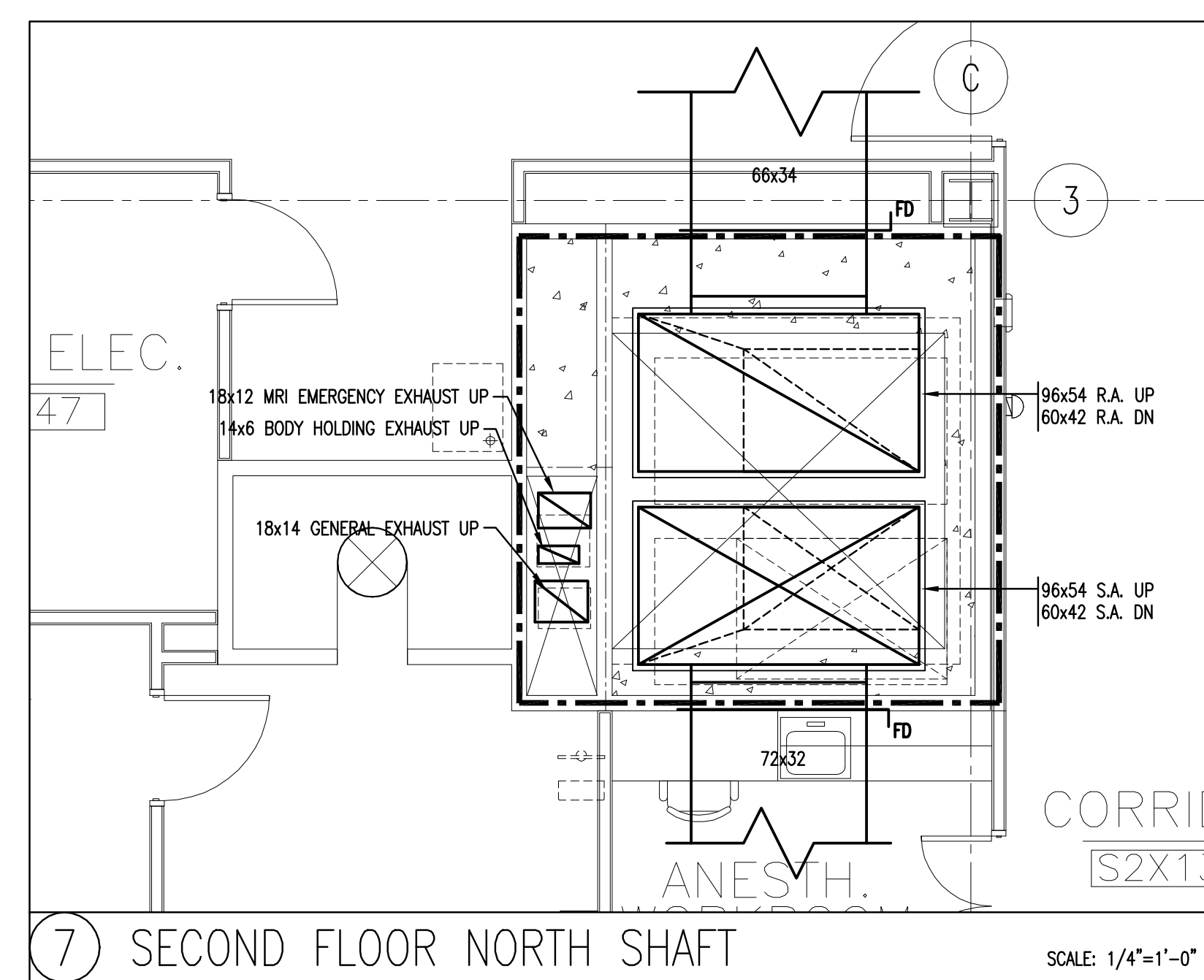
2) FIRST FLOOR EXHAUST SHAFT SCALE: 1/4"=1'-0"



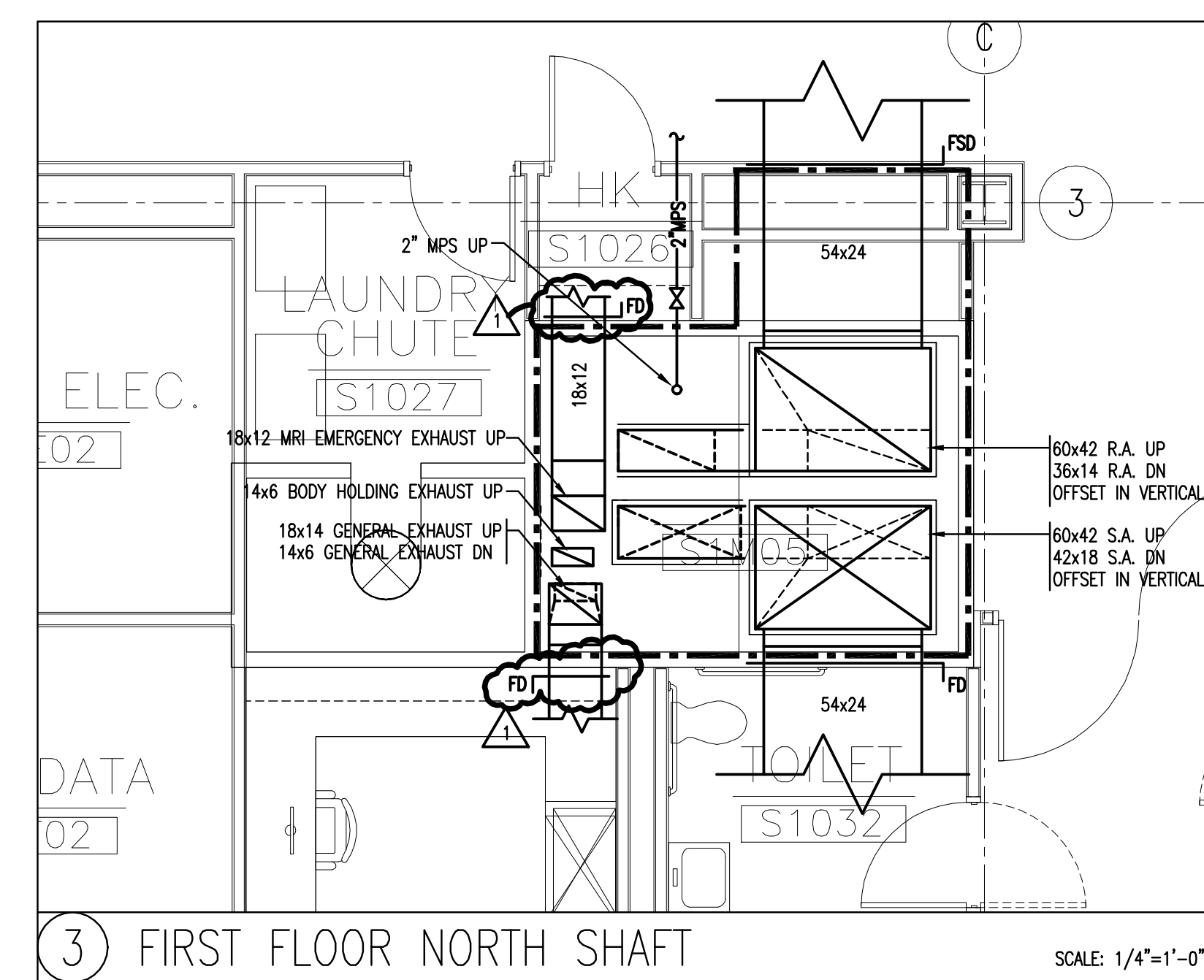
15) FOURTH FLOOR NORTH SHAFT SCALE: 1/4"=1'-0"



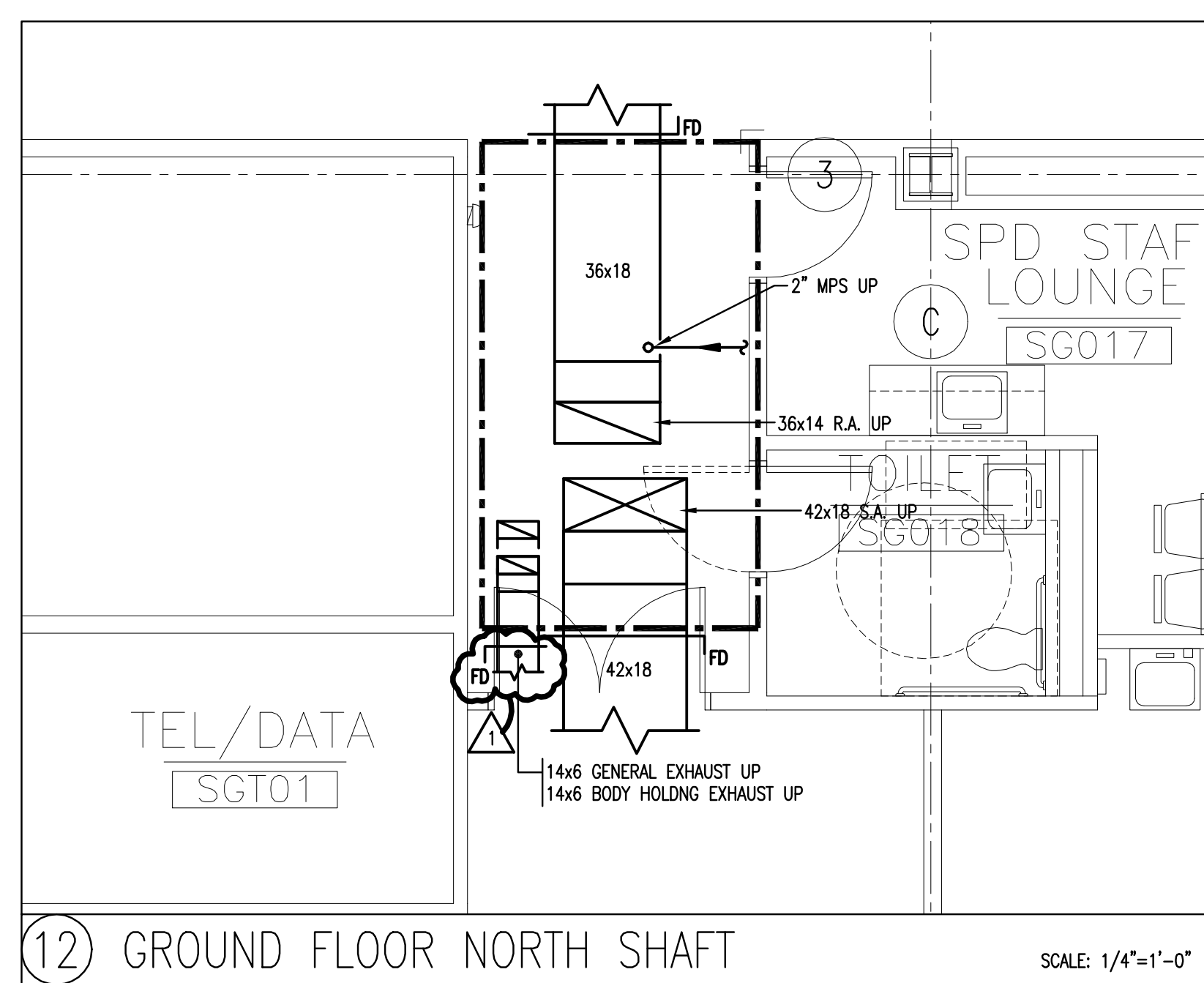
11) THIRD FLOOR NORTH SHAFT SCALE: 1/4"=1'-0"



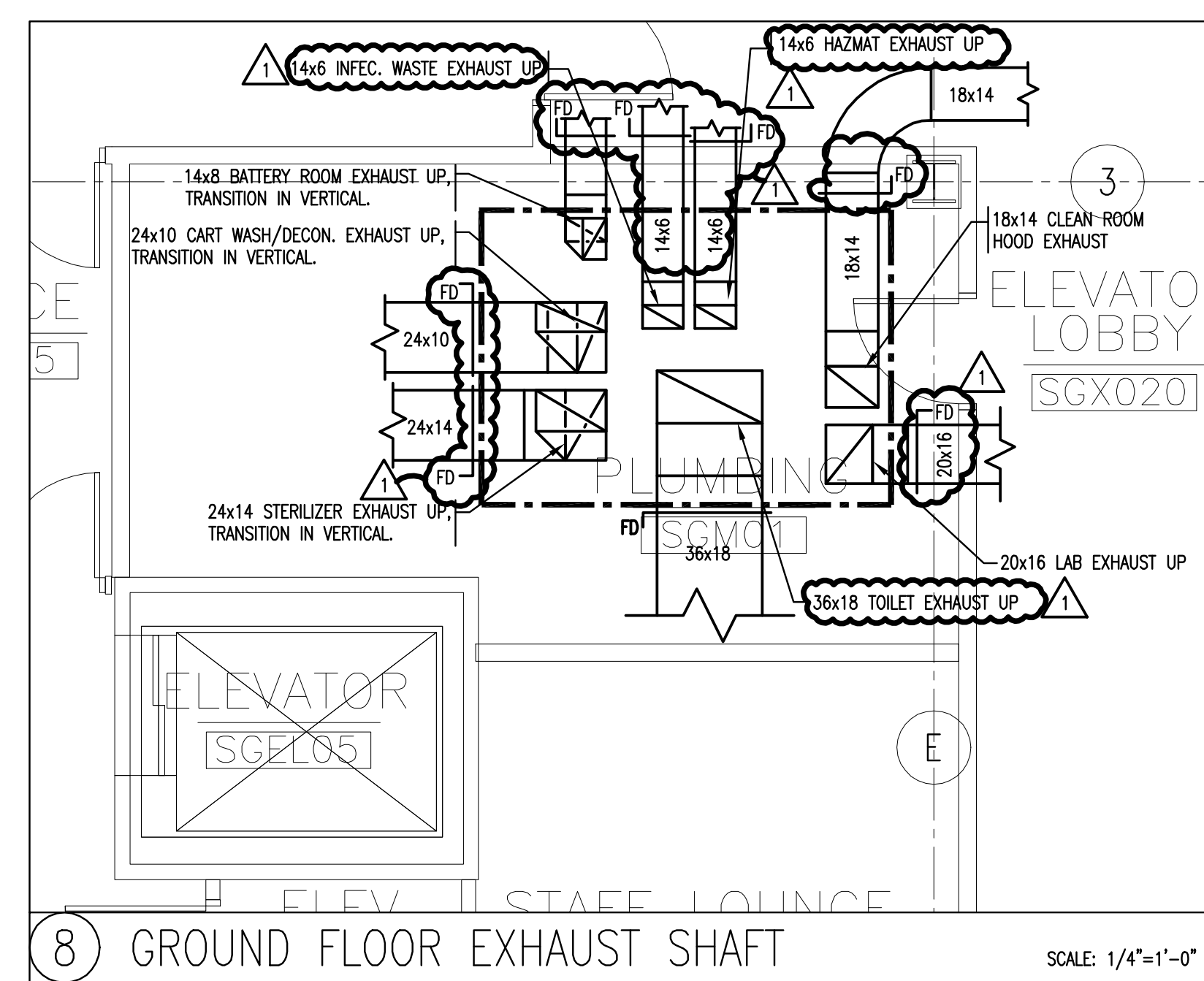
7) SECOND FLOOR NORTH SHAFT SCALE: 1/4"=1'-0"



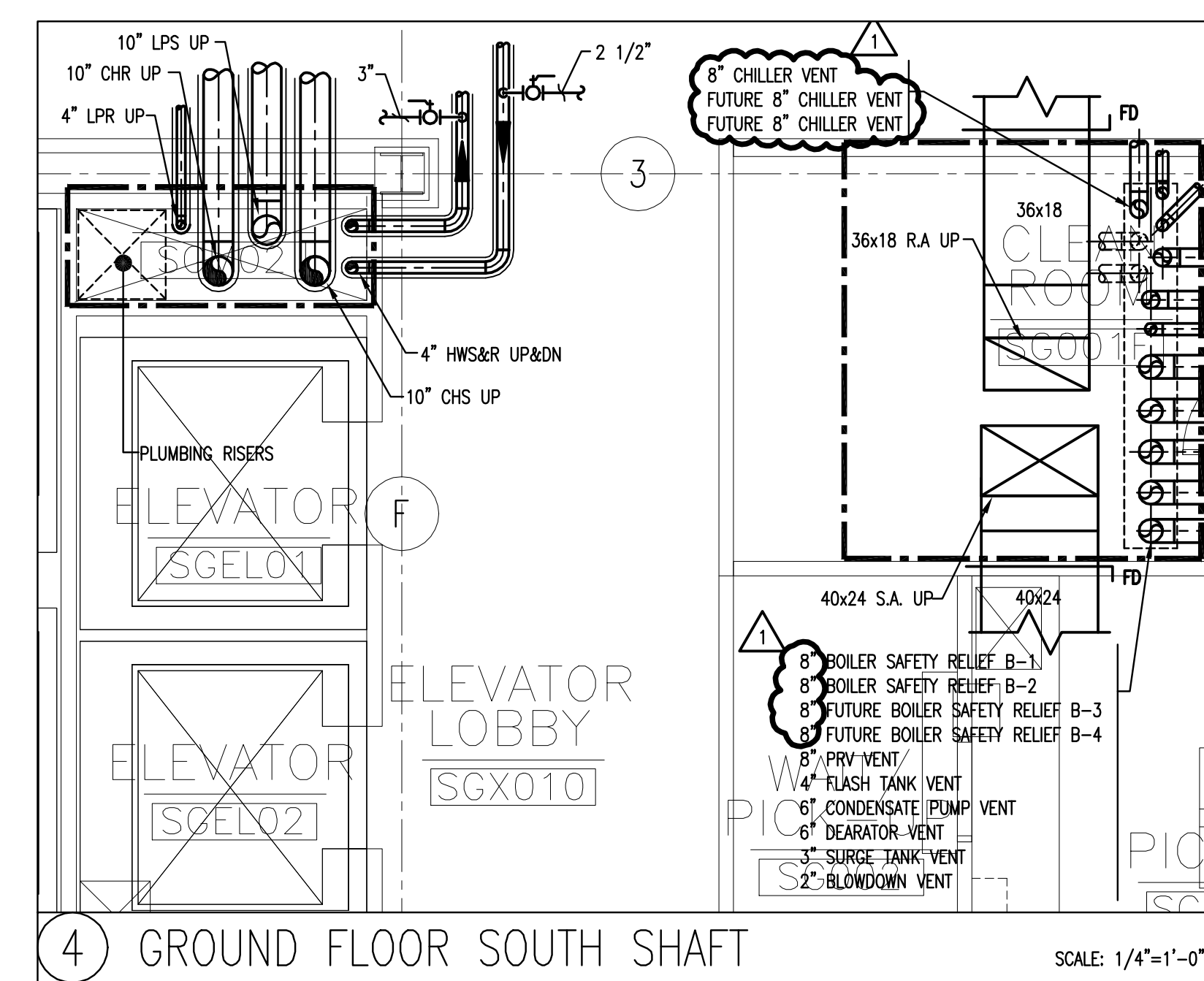
3) FIRST FLOOR NORTH SHAFT SCALE: 1/4"=1'-0"



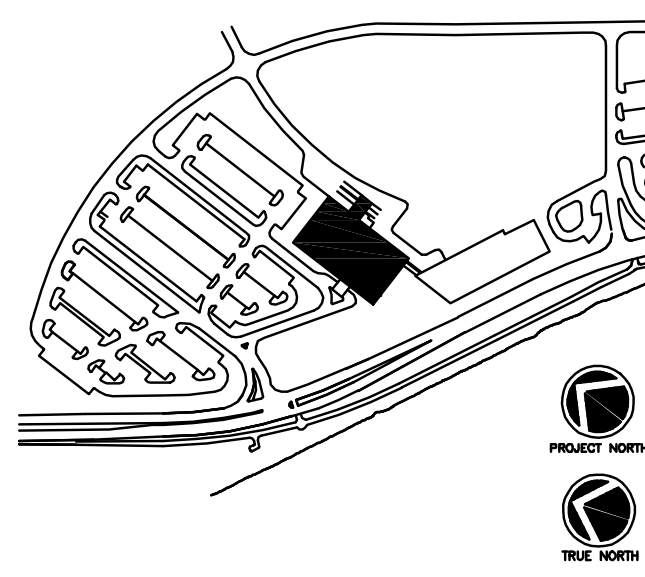
12) GROUND FLOOR NORTH SHAFT SCALE: 1/4"=1'-0"



8) GROUND FLOOR EXHAUST SHAFT SCALE: 1/4"=1'-0"



4) GROUND FLOOR SOUTH SHAFT SCALE: 1/4"=1'-0"



Consultant  
 CIVIL ENGINEER  
 DeLuca-Hoffman Associates, Inc.  
 778 Main Street, Suite 8  
 South Portland, ME 04106  
 Phone: (207) 775-1121  
 Fax: (207) 879-0896

Consultant  
 ASSOCIATE ARCHITECT/STRUCTURAL ENGINEER  
 SMRT  
 144 Fore Street P.O. Box 618  
 Portland, Maine 04104  
 Phone: (207) 772-3846  
 Fax: (207) 772-1070

Consultant  
 MECHANICAL/ELECTRICAL ENGINEER  
 Bord, Rao + Athanas Consulting Engineers, LLC  
 The Arsenal on the Charles  
 311 Arsenal Street  
 Watertown, MA 02472-5789  
 Phone: (617) 376-3100  
 Fax: (617) 924-9339

Consultant  
 EQUIPMENT PLANNING  
 Gene Burton & Associates  
 1893 General George Patton Drive  
 Franklin, Tennessee 37067  
 Phone: (615) 376-3100  
 Fax: (615) 376-3114

Consultant  
 CONSTRUCTION MANAGER  
 Gilbane Building Company  
 7 Jackson Walkway  
 Providence, Rhode Island 02903  
 Phone: (401) 456-5905  
 Fax: (401) 456-5516

Consultant  
 FOOD SERVICE  
 Inman Foodservice, LLC  
 1808 West End Ave, Suite 1400  
 Nashville, TN 37203  
 Phone: (615) 321-5591  
 Fax: (615) 321-5689

It is the responsibility of the Construction Manager/General Contractor and all Sub-Contractors to verify all dimensions and accept conditions of prior work by related trades before proceeding with any work.

Date  
 11/10/06 Final-Issued for Construction  
 Drawn By  
 DPB  
 Scale  
 1/8"=1'-0"

Francis

Cauffman

Foley

Hoffmann

Francis Cauffman  
 Foley Hoffmann  
 Architects Ltd.

2120 Arch Street  
 Philadelphia, PA 19103  
 215-568-8250

Project Title  
 Mercy Health Care  
 System of Maine

FORE RIVER SHORT  
 STAY HOSPITAL



Project Number  
 F05-4898

Drawing Title and Number  
 HVAC  
 SHAFT  
 PART PLANS

H4.02