

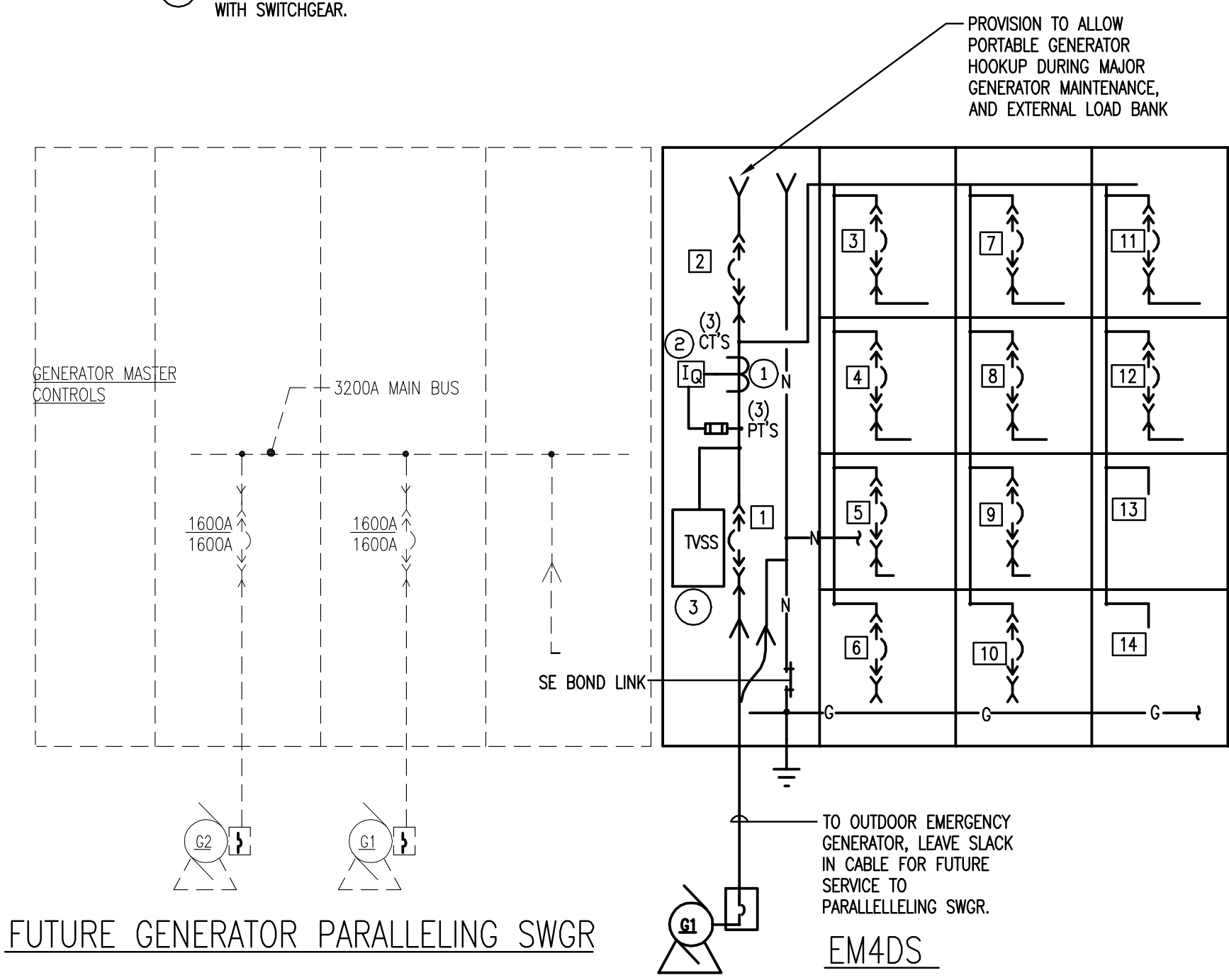
EMERGENCY SWITCHGEAR EM4DS							
HORIZ. BUS: 3200 AMP		VERT. BUS: 3200 AMP		S.C.R.: 65K		NEUT. BUS: FULL SIZE	
GROUND BUS: YES		NEMA CLASS: SEE SPEC'S		VOLTAGE: 277/480V,3Ø,4W.		ENCLOSURE NEMA TYPE: SEE SPEC.	
COMPT. NO.	EQUIPMENT DESIGNATION	DISCONNECT DEVICE				FEEDER	REMARKS
		POLES	FRAME	TRIP	TYPE		
1	MAIN BREAKER	3	3200A	1600A	MDS		MAIN SIZED FOR FUTURE
2	TEMPORARY GENERATOR HOOKUP (N.O.)	3	1600A	1600A	MDS		
3	ATS-CR2	3	800A	400A	MDS	(24)	
4	ATS-CR1	3	800A	400A	MDS	(24)	
5	ATS-LS	3	800A	400A	MDS	(24)	
6	FIRE PUMP (60 HP)	3	800A	200A	MDS	(SEE RISER)	
7	ATS-EL	3	800A	800A	MDS	(28)	
8	ATS-EQ2	3	1600A	1200A	MDS	(34)	
9	ATS-EQ1	3	800A	800A	MDS	(30)	
10	SPARE	3	800A	600A	MDS		
11	SPARE	3	800A	400A	MDS		
12	SPACE AND BUS	3	1600A		MDS		
13	SPACE AND BUS	3	800A		MDS		
14	SPACE AND BUS	3	800A		MDS		

GENERAL NOTES:

- A DEPTH OF SWITCHGEAR SHALL BE 72"
- B PROVIDE MICROPROCESSOR BASED TRIP UNITS WITH COMMUNICATIONS INTERFACE, REFER TO SPECIFICATION.
- C BREAKER TYPES LISTED ARE BASED ON CUTLER HAMMER MAGNUM DS.
- D ALL BREAKERS SHALL BE DRAWOUT POWER CIRCUIT BREAKERS RATED 100%
- E ALL POWER MONITORING DEVICES TO BE PROVIDED WITH 120V UPS POWER.

KEY NOTES:

- ① FUSED POTENTIAL TAPS
- ② MICROPROCESSOR BASED METERING PACKAGE EQUAL TO CUTLER HAMMER IQ ANALYZE 6000 SERIES
- ③ PROVIDE TVSS FACTORY INSTALLED INTEGRAL WITH SWITCHGEAR.



EMERGENCY SWITCHGEAR EM4DS DETAIL  
 N.T.S. FRONT ELEVATION

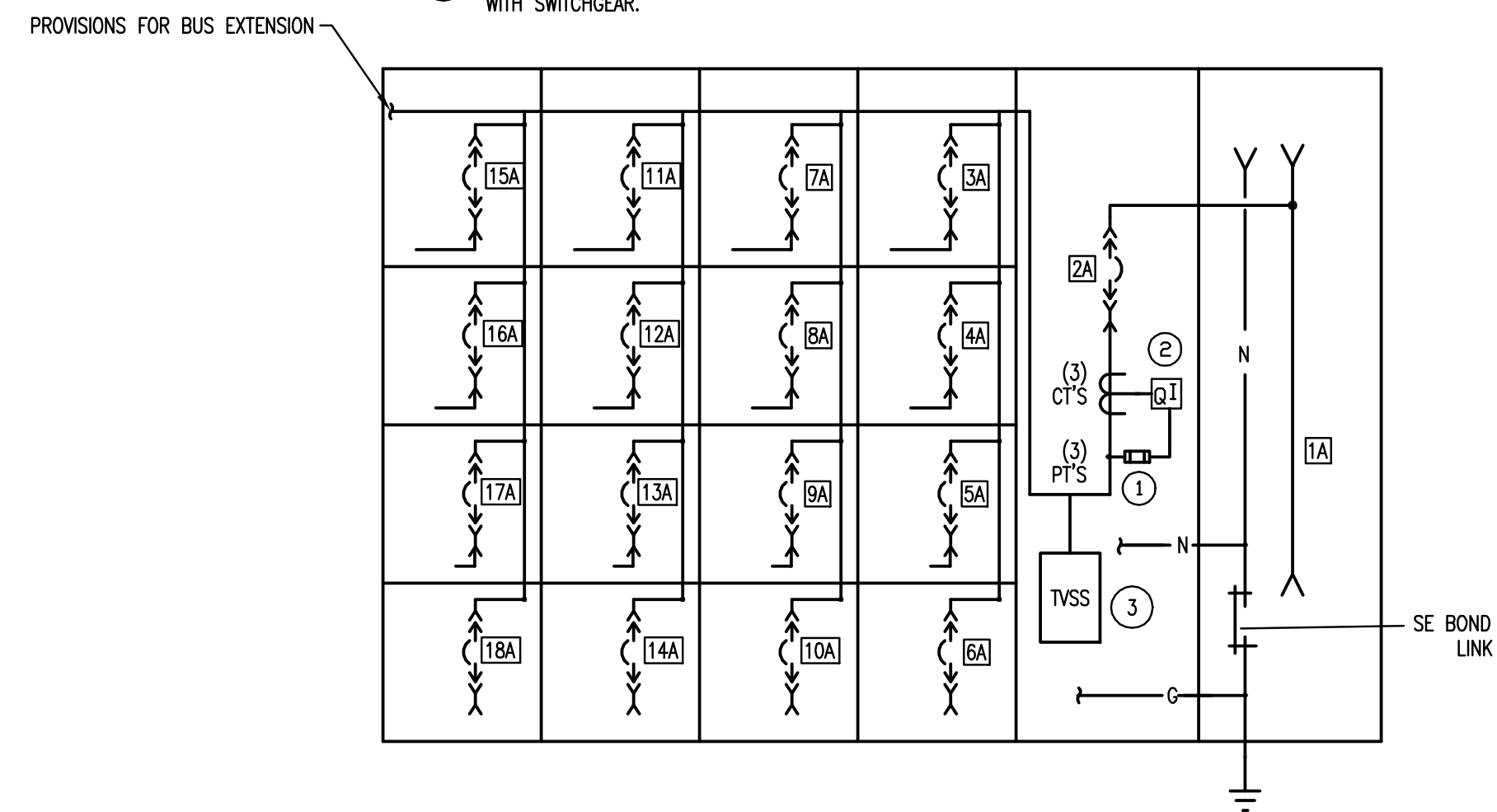
MAIN DISTRIBUTION SWITCHGEAR MDSA							
HORIZ. BUS: 3200 AMP		VERT. BUS: 3200 AMP		S.C.R.: 85K		NEUT. BUS: FULL SIZE	
GROUND BUS: YES		NEMA CLASS: SEE SPEC'S		VOLTAGE: 277/480V,3Ø,4W.		ENCLOSURE NEMA TYPE: SEE SPEC.	
COMPT. NO.	EQUIPMENT DESIGNATION	DISCONNECT DEVICE				FEEDER	REMARKS
		POLES	FRAME	TRIP	TYPE		
1A	FIRE PUMP FEEDER TAP AHEAD OF MAIN	-	-	-	-		
2A	MAIN BREAKER/TVSS	3	3200A	3200A	MDS		
3A	FUTURE CHILLER	3	800A	600A	MDS		
4A	CHILLER NO.1	3	800A	600A	MDS	(27)	
5A	DP4G3	3	800A	800A	MDS	(30)	
6A	DP41R RADIOLOGY	3	800A	600A	MDS	(28)	
7A	DP4G4	3	800A	800A	MDS	(30)	
8A	DP4G2	3	800A	800A	MDS	(30)	
9A	DP4G1	3	800A	800A	MDS	(30)	
10A	DP4LD	3	800A	600A	MDS	(28)	
11A	ATS-CR2	3	800A	400A	MDS	(24)	
12A	ATS-CR1	3	800A	400A	MDS	(24)	
13A	AS-LS	3	800A	400A	MDS	(24)	
14A	SPARE	3	800A	600A	MDS	(28)	
15A	ATS-EQ1	3	800A	800A	MDS	(30)	
16A	ATS-EQ2	3	1200A	1200A	MDS	(34)	
17A	ATS-EL	3	800A	800A	MDS	(28)	
18A	SPARE	3	800A	400A	MDS		

GENERAL NOTES:

- A DEPTH OF SWITCHGEAR SHALL BE 72"
- B PROVIDE MICROPROCESSOR BASED TRIP UNITS WITH COMMUNICATIONS INTERFACE, REFER TO SPECIFICATION.
- C BREAKER TYPES LISTED ARE BASED ON CUTLER HAMMER MAGNUM DS.
- D ALL BREAKERS SHALL BE DRAWOUT POWER CIRCUIT BREAKERS RATED 100%
- E ALL POWER MONITORING DEVICES TO BE PROVIDED WITH 120V UPS POWER.

KEY NOTES:

- ① FUSED POTENTIAL TAPS
- ② MICROPROCESSOR BASED METERING PACKAGE EQUAL TO CUTLER HAMMER IQ ANALYZE 6000 SERIES
- ③ PROVIDE TVSS FACTORY INSTALLED INTEGRAL WITH SWITCHGEAR.



SWITCHGEAR MDSA  
 N.T.S. FRONT ELEVATION

DISTRIBUTION PANEL "DP2G1" SCHEDULE						
120/208 VOLTS		3 PHASE		4 WIRE	10K AIC	
MAIN BUS SIZE: 400 AMPS		NEUTRAL: 100%		GROUND BUS: FULL		
MAIN DEVICE:		MOUNTING: SURFACE				
CIRCUIT NUMBER	LOAD ITEM	OVERCURRENT DEVICE			FEEDER SIZE	REMARKS
		FRAME	TRIP	POLE		
1	PANEL R2G1	100A	100A	3	(6)	
2	PANEL R2G2	225A	150A	3	(10)	
3	PANEL R2G3	100A	100A	3	(6)	
4	TRASH COMPACTOR	100A	60A	3	3-#6, 1-#80-1°C	
5	TRASH COMPACTOR	100A	60A	3	3-#6, 1-#80-1°C	
6	SPARE	100A	100A	3		
7	SPARE	150A	150A	3		
8	SPACE & BUS	100A	-	3		

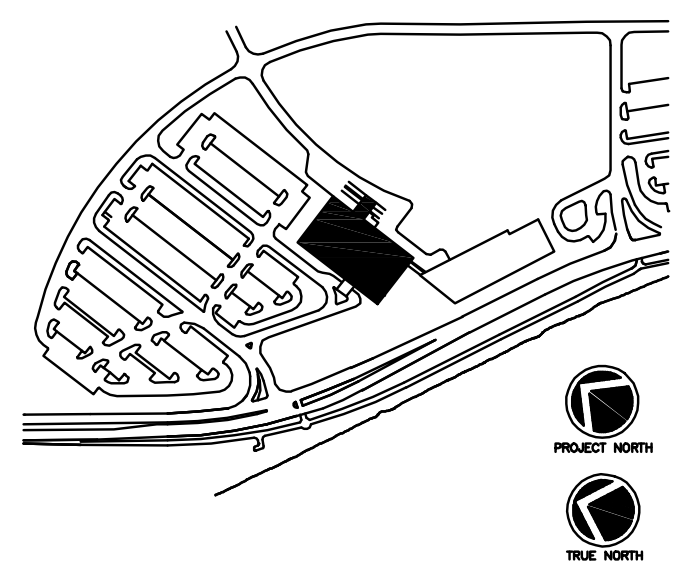
DISTRIBUTION PANEL "DP211" SCHEDULE						
120/208 VOLTS		3 PHASE		4 WIRE	10K AIC	
MAIN BUS SIZE:		NEUTRAL: 100%		GROUND BUS: FULL		
MAIN DEVICE: 800 AMPS		MOUNTING: SURFACE				
CIRCUIT NUMBER	LOAD ITEM	OVERCURRENT DEVICE			FEEDER SIZE	REMARKS
		FRAME	TRIP	POLE		
1	PANEL R211	225A	150A	3	(10)	
2	PANEL R212	100A	100A	3	(6)	
3	PANEL KP211	250A	250A	3	(18)	
4	PANEL KP212	250A	250A	3	(18)	
5	KITCHEN DISHWASHER ITEM E31	100A	80A	3	(6)	
6	KITCHEN DISHWASHER ITEM E32	225A	125A	3	(8)	
7	DIMMING CABINET	100A	40A	3	4# 1#80-1°C	
8	SPARE	100A	100A	3		
9	SPARE	100A	100A	3		
10	SPACE & BUS	100A	-	3		
11	SPACE & BUS	100A	-	3		
12	SPACE & BUS	100A	-	3		

DISTRIBUTION PANEL "DP221" SCHEDULE						
120/208 VOLTS		3 PHASE		4 WIRE	10K AIC	
MAIN BUS SIZE: 400 AMPS		NEUTRAL: 100%		GROUND BUS: FULL		
MAIN DEVICE:		MOUNTING: SURFACE				
CIRCUIT NUMBER	LOAD ITEM	OVERCURRENT DEVICE			FEEDER SIZE	REMARKS
		FRAME	TRIP	POLE		
1	PANEL R221	225A	150A	3	(10)	
2	PANEL R222	225A	150A	3	(10)	
3	SPARE	225A	150A	3		
4	SPARE	225A	150A	3		
5	SPACE & BUS	100A	-	3		
6	SPACE & BUS	100A	-	3		

DISTRIBUTION PANEL "DP241" SCHEDULE						
120/208		3 PHASE		4 WIRE	10K AIC	
MAIN BUS SIZE:		NEUTRAL: 100%		GROUND BUS: FULL		
MAIN DEVICE: 400A		MOUNTING: SURFACE				
CIRCUIT NUMBER	LOAD ITEM	OVERCURRENT DEVICE			FEEDER SIZE	REMARKS
		FRAME	TRIP	POLE		
1	R241	150A	150A	3	(10)	
2	R241	150A	150A	3	(10)	
3	KP24	100A	100A	3	(6)	
4	SPARE	100A	100A	3		

DISTRIBUTION PANEL "DP4G4" SCHEDULE						
277/480 VOLTS		3 PHASE		4 WIRE	65K AIC	
MAIN BUS SIZE: 800 AMPS		NEUTRAL: 100%		GROUND BUS: FULL		
MAIN DEVICE:		MOUNTING: SURFACE				
CIRCUIT NUMBER	LOAD ITEM	OVERCURRENT DEVICE			FEEDER SIZE	REMARKS
		FRAME	TRIP	POLE		
1	MCON-PH	225A	150A	3	(9)	
2	SPARE	100A	100A	3		
3	L4SL	100A	100A	3	(6)	
4	MCCG	400A	400A	3	(23)	
5	MAINTENANCE BLDG	225A	150A	3	(10)	
6	SPARE	150A	150A	3		
7	SPARE	225A	225A	3		
8	SPARE	225A	225A	3		
9	SPACE & BUS	150A		3		

DISTRIBUTION PANEL "DP231" SCHEDULE						
120/208		3 PHASE		4 WIRE	10K AIC	
MAIN BUS SIZE:		NEUTRAL: 100%		GROUND BUS: FULL		
MAIN DEVICE: 400A		MOUNTING: SURFACE				
CIRCUIT NUMBER	LOAD ITEM	OVERCURRENT DEVICE			FEEDER SIZE	REMARKS
		FRAME	TRIP	POLE		
1	R231	150A	150A	3	(10)	
2	R232	150A	150A	3	(10)	
3	KP31	100A	100A	3	(6)	
4	SPARE	100A	100A	3		



Consultant  
 CIVIL ENGINEER  
 DeLuca-Hoffman Associates, Inc.  
 778 Main Street, Suite 8  
 South Portland, ME 04106  
 Phone: (207) 775-1121  
 Fax: (207) 879-0896

Consultant  
 ASSOCIATE ARCHITECT/STRUCTURAL ENGINEER  
 SMRT  
 144 Fore Street P.O. Box 618  
 Portland, Maine 04104  
 Phone: (207) 772-3846  
 Fax: (207) 772-1070

Consultant  
 MECHANICAL/ELECTRICAL ENGINEER  
 Bord, Rao + Athanas Consulting Engineers, LLC  
 The Arsenal on the Charles  
 311 Arsenal Street  
 Watertown, MA 02472-5789  
 Phone: 617.254.0016  
 Fax: 617.924.9339

Consultant  
 EQUIPMENT PLANNING  
 Gene Burton & Associates  
 1893 General George Patton Drive  
 Franklin, Tennessee 37067  
 Phone: (615) 376-3100  
 Fax: (615) 376-3114

Consultant  
 CONSTRUCTION MANAGER  
 Gibbons Building Company  
 7 Jackson Walkway  
 Providence, Rhode Island 02903  
 Phone: (401) 456-5905  
 Fax: (401) 456-5516

Consultant  
 FOOD SERVICE  
 Inman Foodservice, LLC  
 1808 West End Ave, Suite 1400  
 Nashville, TN 37203  
 Phone: (615) 321-5591  
 Fax: (615) 321-5689

It is the responsibility of the Construction Manager/General Contractor and all Sub-Contractors to verify all dimensions and accept conditions of prior work by related trades before proceeding with any work.

Date  
 11/10/06 Final-Issued for Constructi  
 Drawn By

Scale  
 NONE

Francis

Cauffman

Foley

Hoffmann

Francis Cauffman  
 Foley Hoffmann  
 Architects Ltd.

2120 Arch Street  
 Philadelphia, PA 19103  
 215-568-8250

Project Title

Mercy Health Care  
 System of Maine

FORE RIVER SHORT  
 STAY HOSPITAL



Project Number  
 F05-4898

Drawing Title and Number  
 ELECTRICAL  
 DISTRIBUTION  
 SCHEDULES

E5-2