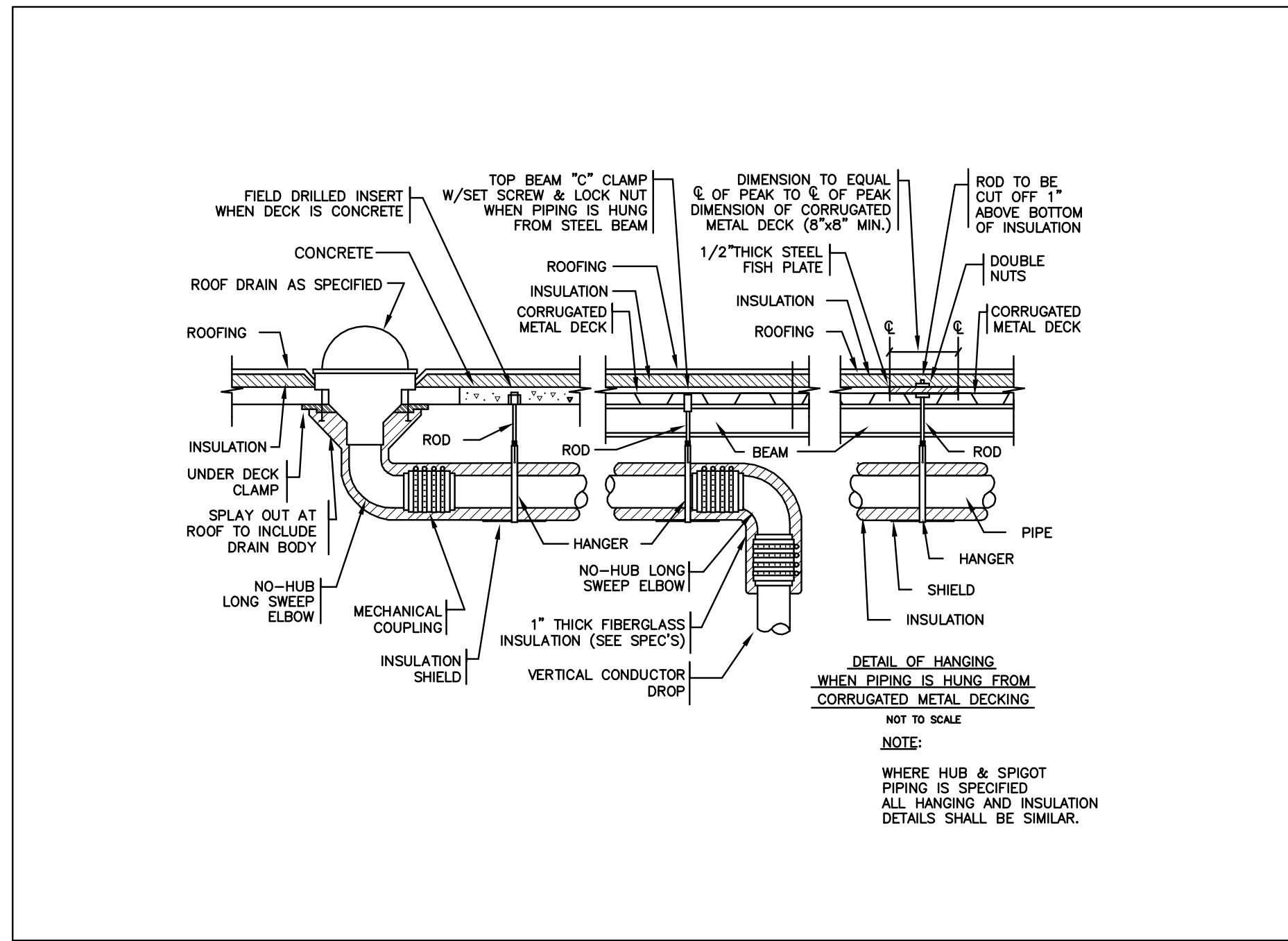
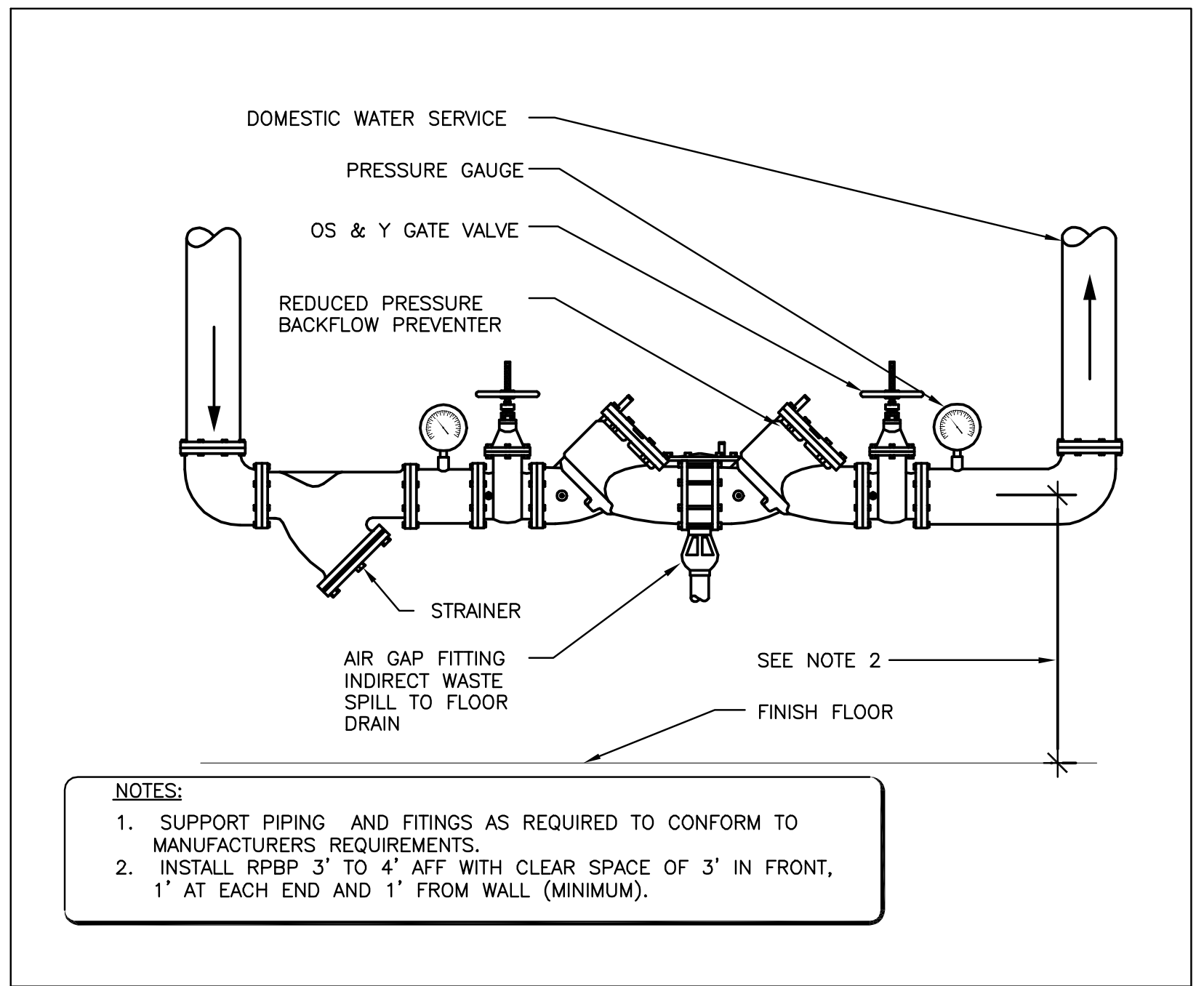


3 PIPING AT ICE MACHINE NTS



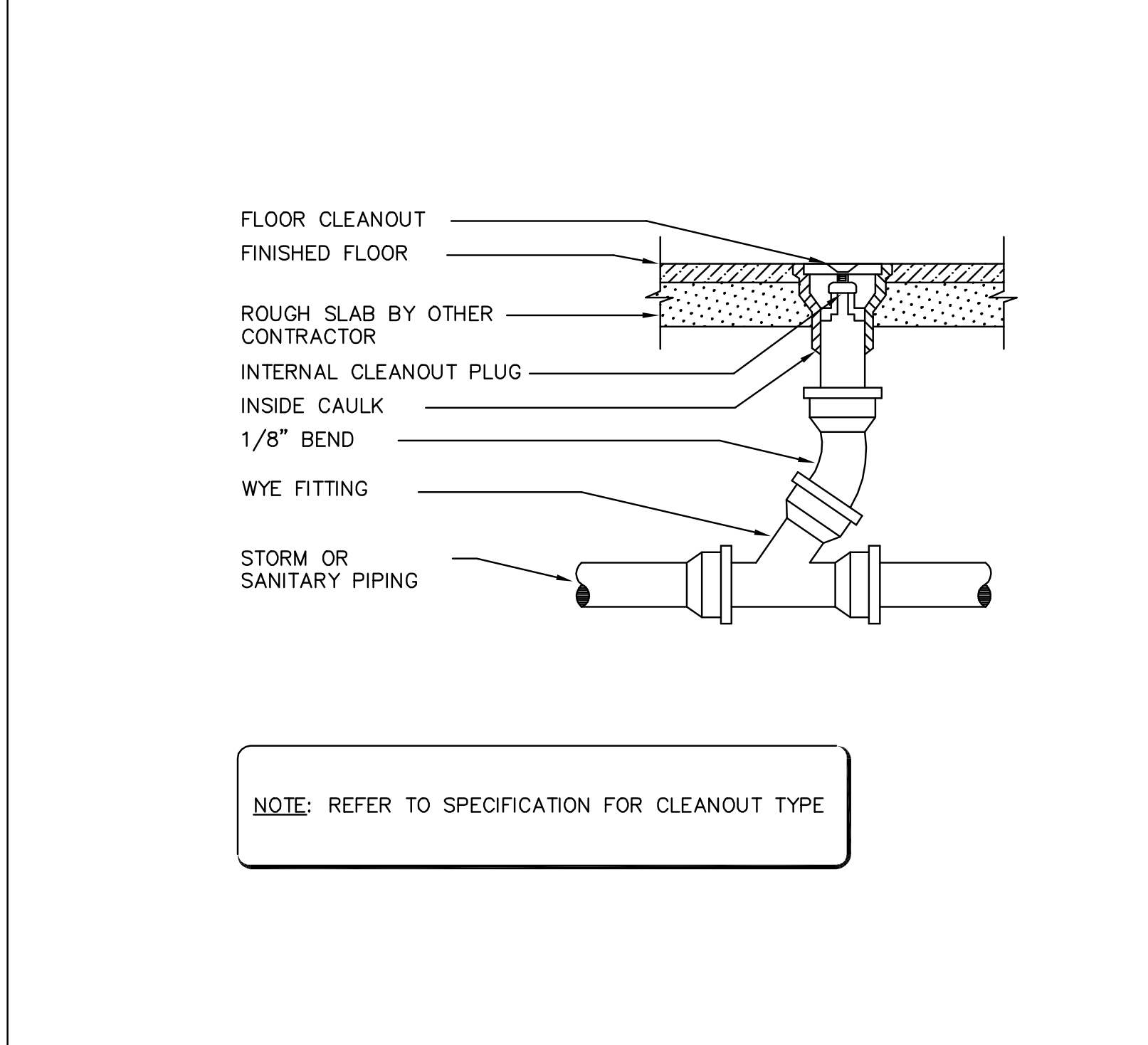
2 INSULATION OF CONDUCTOR PIPING OFFSETS NTS



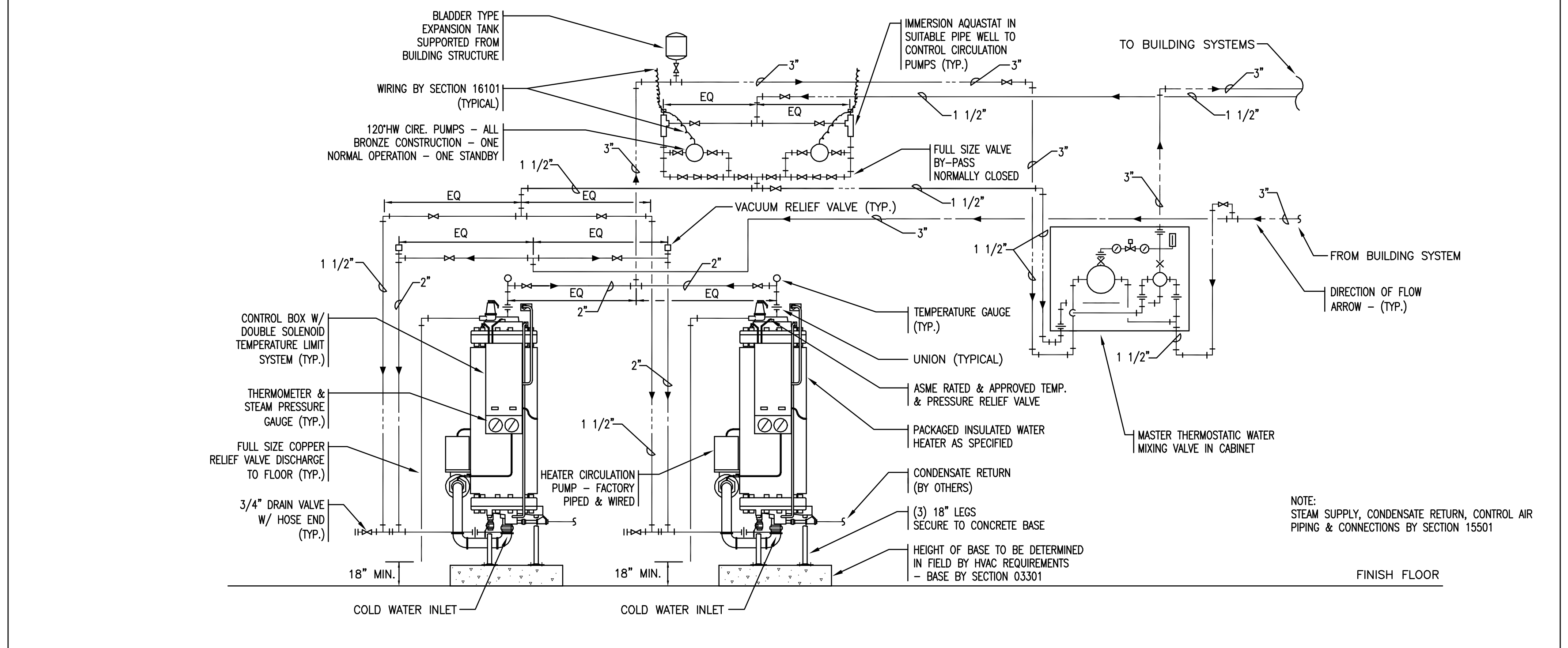
1 REDUCED PRESSURE BACKFLOW PREVENTER NTS



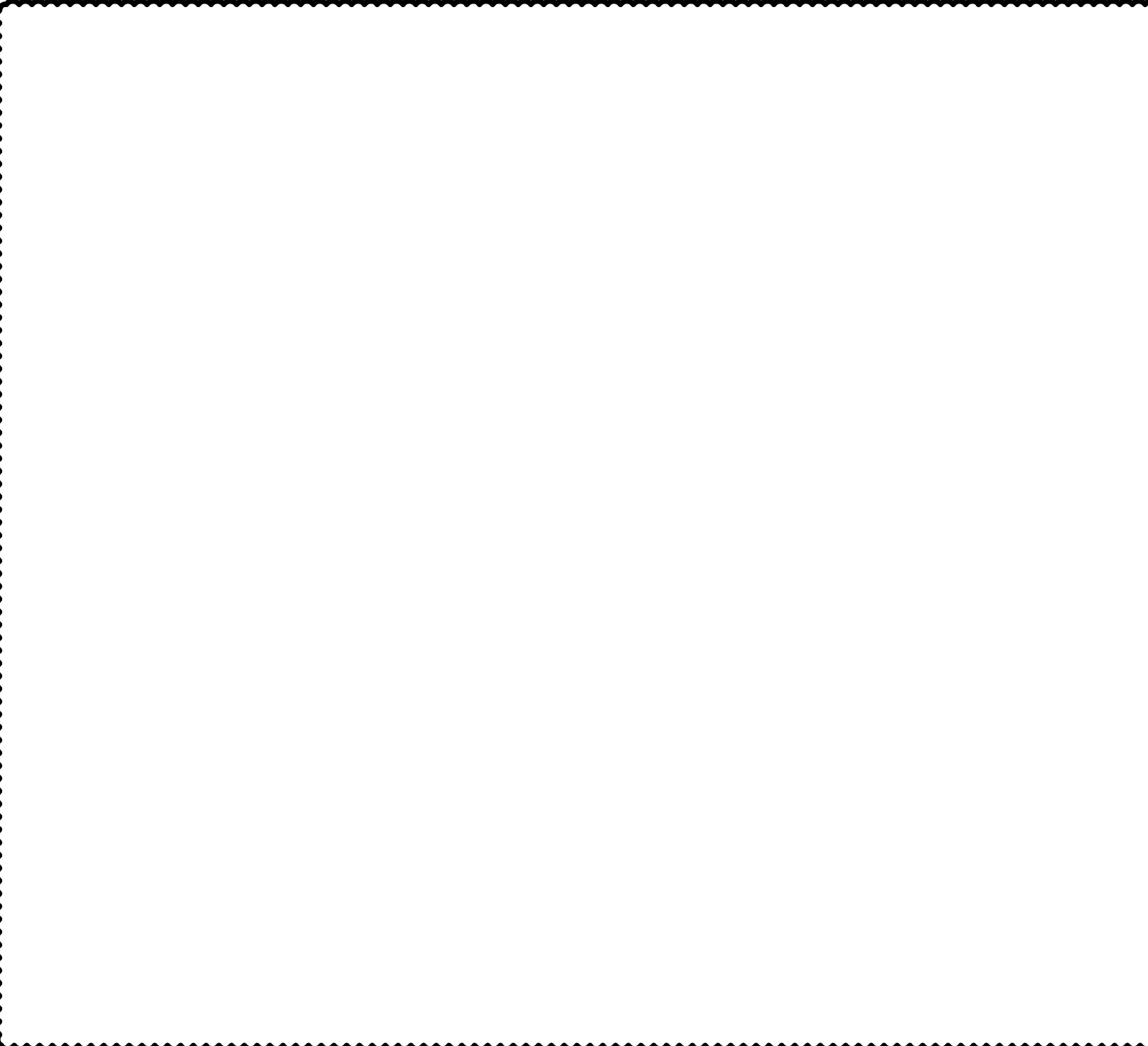
6 EMERGENCY SHOWER & EYEWASH NTS



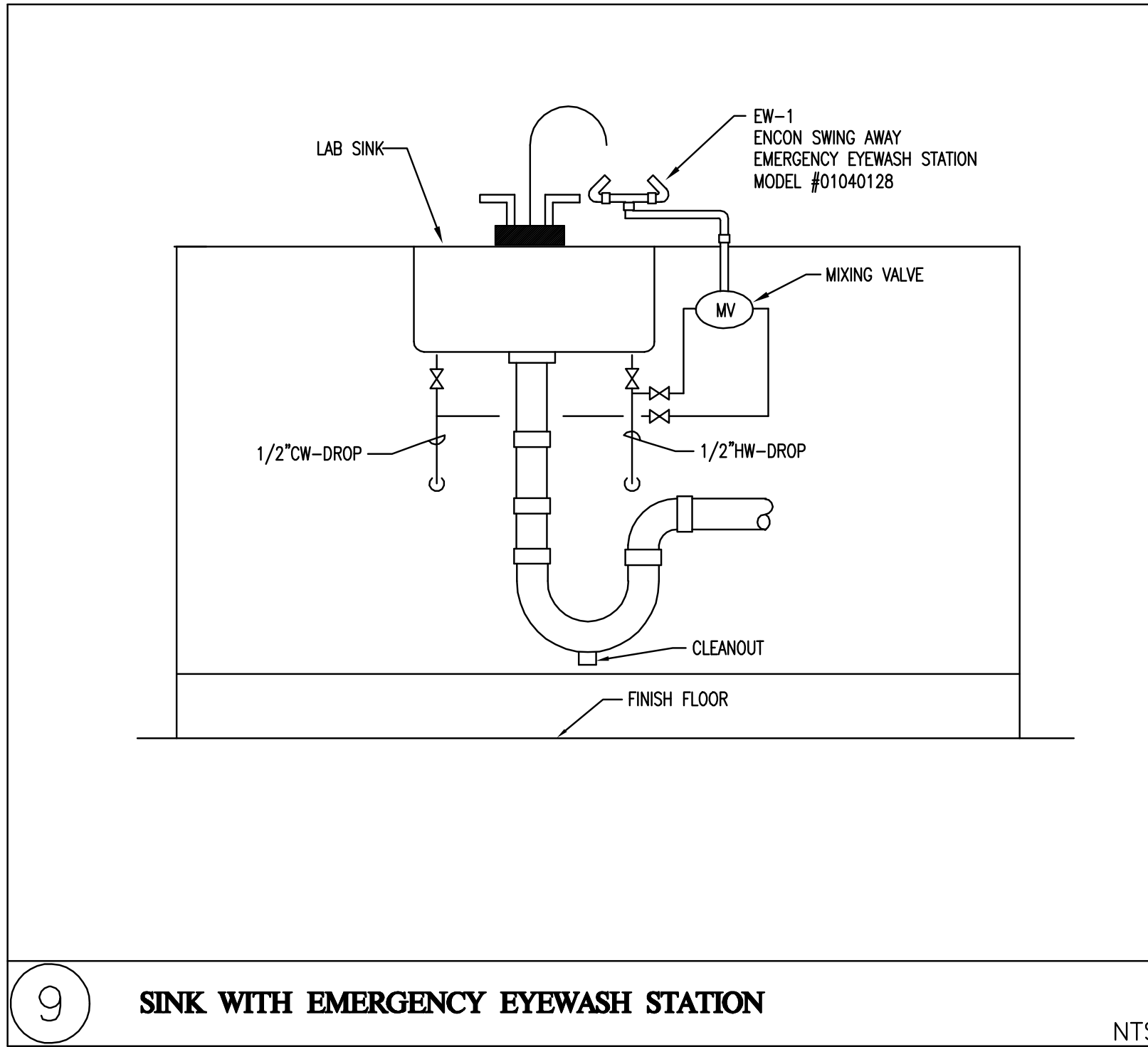
5 FLUSH FLOOR CLEANOUT NTS



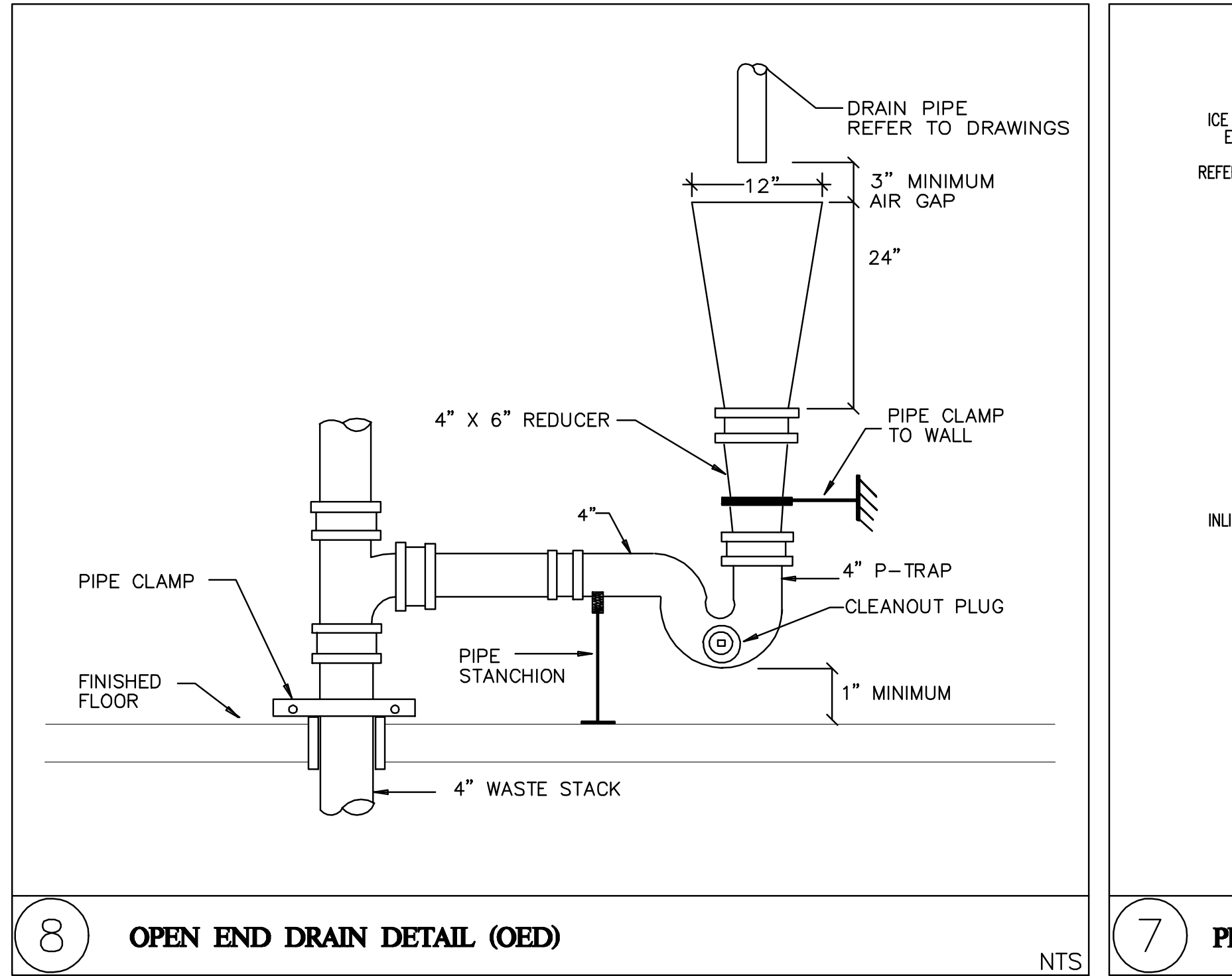
4 DUPLEX HOT WATER HEATERS (1 TEMPERATURE SYSTEM) NTS



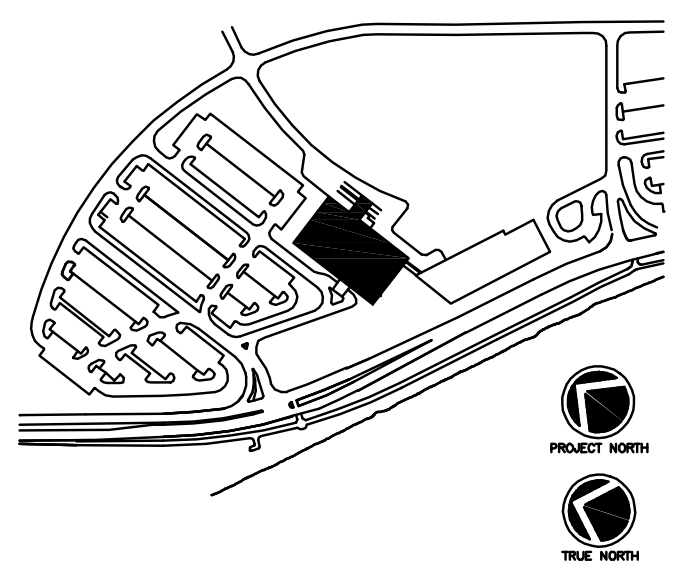
9 SINK WITH EMERGENCY EYEWASH STATION NTS



8 OPEN END DRAIN DETAIL (OED) NTS



7 PIPING AT TABLE TOP ICE MAKER NTS



- Consultant
 CIVIL ENGINEER
 DeLuca-Hoffman Associates, Inc.
 778 Main Street, Suite 8
 South Portland, ME 04106
 Phone: (207) 775-1121
 Fax: (207) 879-0896
- Consultant
 ASSOCIATE ARCHITECT/STRUCTURAL ENGINEER
 SMRT
 144 Fore Street P.O. Box 618
 Portland, Maine 04104
 Phone: (207) 772-3846
 Fax: (207) 772-1070
- Consultant
 MECHANICAL/ELECTRICAL ENGINEER
 Bard, Rao + Athanos Consulting Engineers, LLC
 The Arsenal on the Charles
 311 Arsenal Street
 Watertown, MA 02472-5789
 Phone: (617) 376-3100
 Fax: (617) 924-9339
- Consultant
 EQUIPMENT PLANNING
 Gene Burton & Associates
 1893 General George Patton Drive
 Franklin, Tennessee 37067
 Phone: (615) 376-3100
 Fax: (615) 376-3114
- Consultant
 CONSTRUCTION MANAGER
 Gibbons Building Company
 7 Jackson Walkway
 Providence, Rhode Island 02903
 Phone: (401) 456-5905
 Fax: (401) 456-5516
- Consultant
 FOOD SERVICE
 Inman Foodservice, LLC
 1808 West End Ave, Suite 1400
 Nashville, TN 37203
 Phone: (615) 321-5591
 Fax: (615) 321-5689
- It is the responsibility of the Construction Manager/General Contractor and all Sub-Contractors to verify all dimensions and accept conditions of prior work by related trades before proceeding with any work.

Date
 11/10/06 Final-Issued for Construction
 Drawn By
 NJP
 Scale
 NONE

Francis
 Cauffman
 Foley
 Hoffmann
 Francis Cauffman Architects Ltd. 2120 Arch Street Philadelphia, PA 19103 215-568-8250

Project Title
 Mercy Health Care System of Maine
 FORE RIVER STAY HOSPITAL

MERCY
 Project Number
 F05-4898
 Drawing Title and Number
 PLUMBING
 DETAIL SHEET 1
 P0.02