

Consultant
CDM ENGINEERS Associates, Inc.
 778 Main Street, Suite 8
 South Portland, ME 04106
 Phone: (207) 873-1211
 Fax: (207) 873-0886

Consultant
ASSOCIATE ARCHITECT/STRUCTURAL ENGINEER
 144 Park Street P.O. Box 618
 Portland, ME 04103
 Phone: (207) 873-1211
 Fax: (207) 772-1070

Consultant
EQIPMENT PLANNING
 Gene Burton & Associates
 1000 Main Street, Suite 700
 Portland, ME 04103
 Phone: (616) 376-3100
 Fax: (616) 376-3114

Consultant
CONSTRUCTION MANAGER
 Gishere Building Company
 Providence, Rhode Island 02903
 Phone: (401) 456-5805
 Fax: (401) 456-5816

Consultant
FOOD SERVICE
 TIGER CONSULTANTS, LLC
 1000 Main Street, Suite 1400
 Nashville, TN 37203
 Phone: (615) 261-5691
 Fax: (615) 261-5689

1. It is the responsibility of the Construction Sub-Contractors to verify all dimensions and notes before proceeding with any work.

Date: **CORE & SHELL ISSUED**
 10.02.06 FOR CONSTRUCTION
 Drawn by: **MAF/JUL/CUB/CL/LMS**
 Scale: **AS NOTED**

Francis

Cauffman

Foley

Hoffmann

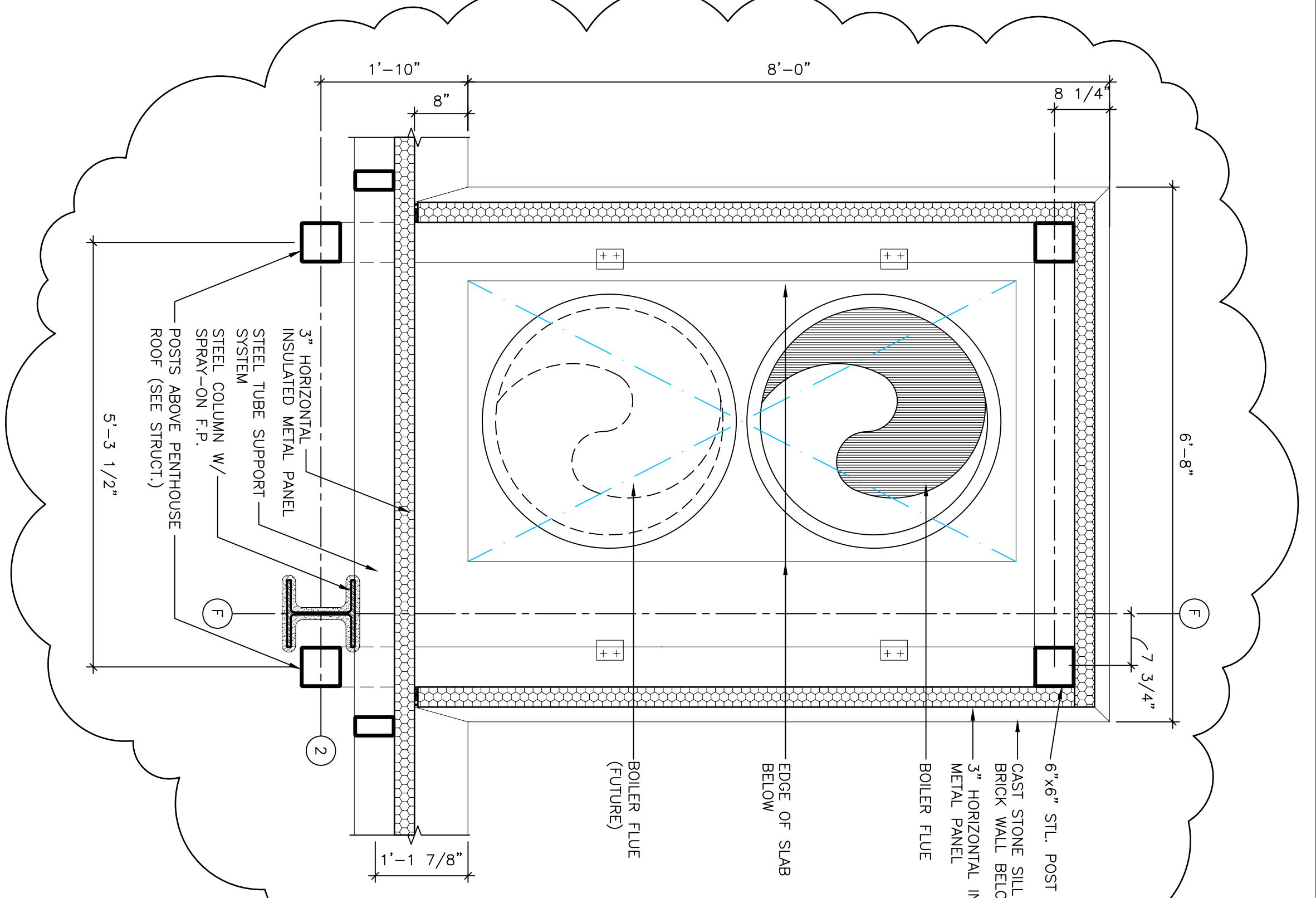
Project Title
 Francis Cauffman
 Kelly Hoffmann
 Architects Inc.
 2120 Arch Street
 Philadelphia, PA 19103
 215-598-5628

Project Title
 Mercy Health
 System of Maine
 FORE RIVER SHORT
 STAY HOSPITAL

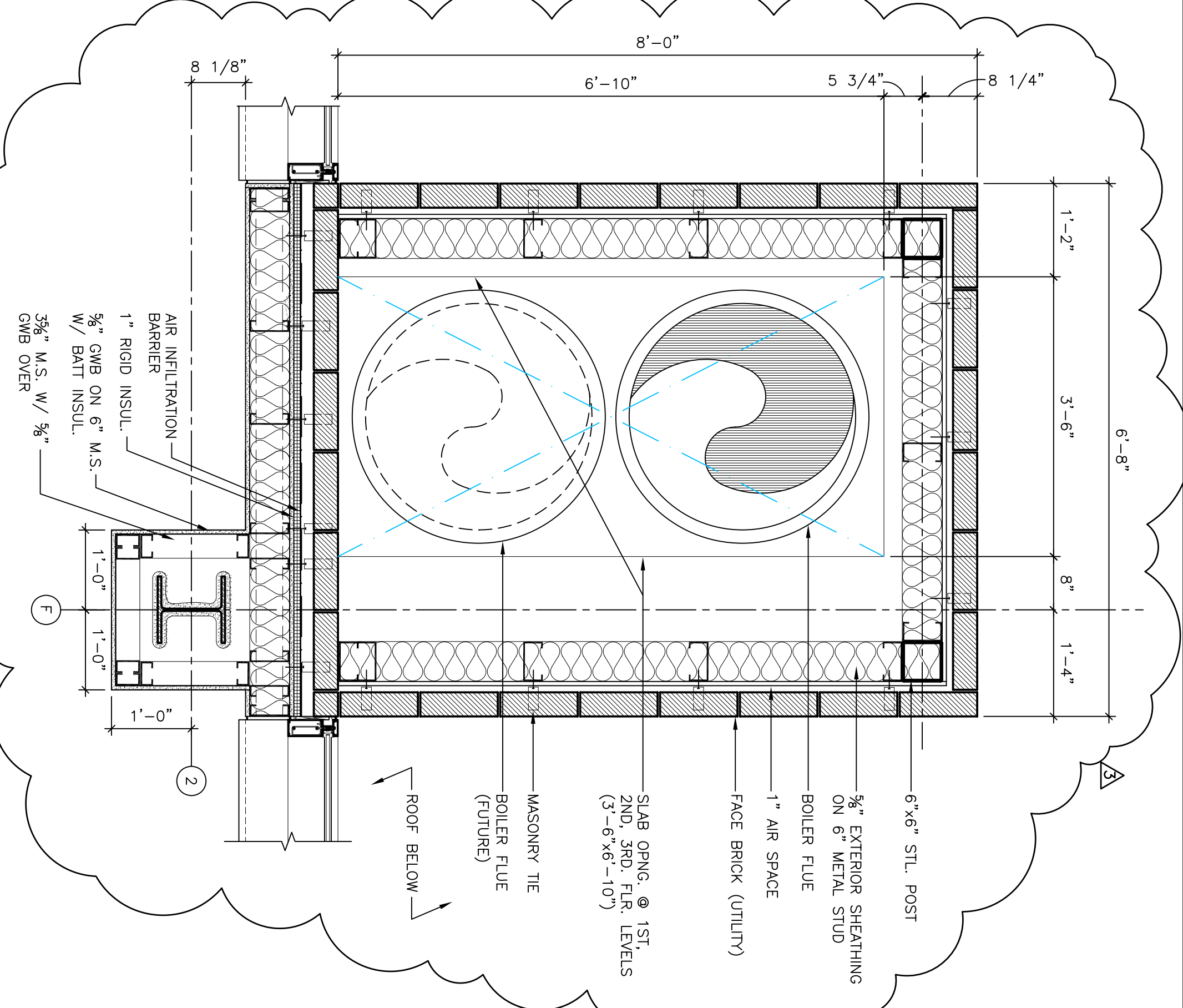


Project Number
 FOJ-4898
 Drawing Title and Number
 Misc. Details

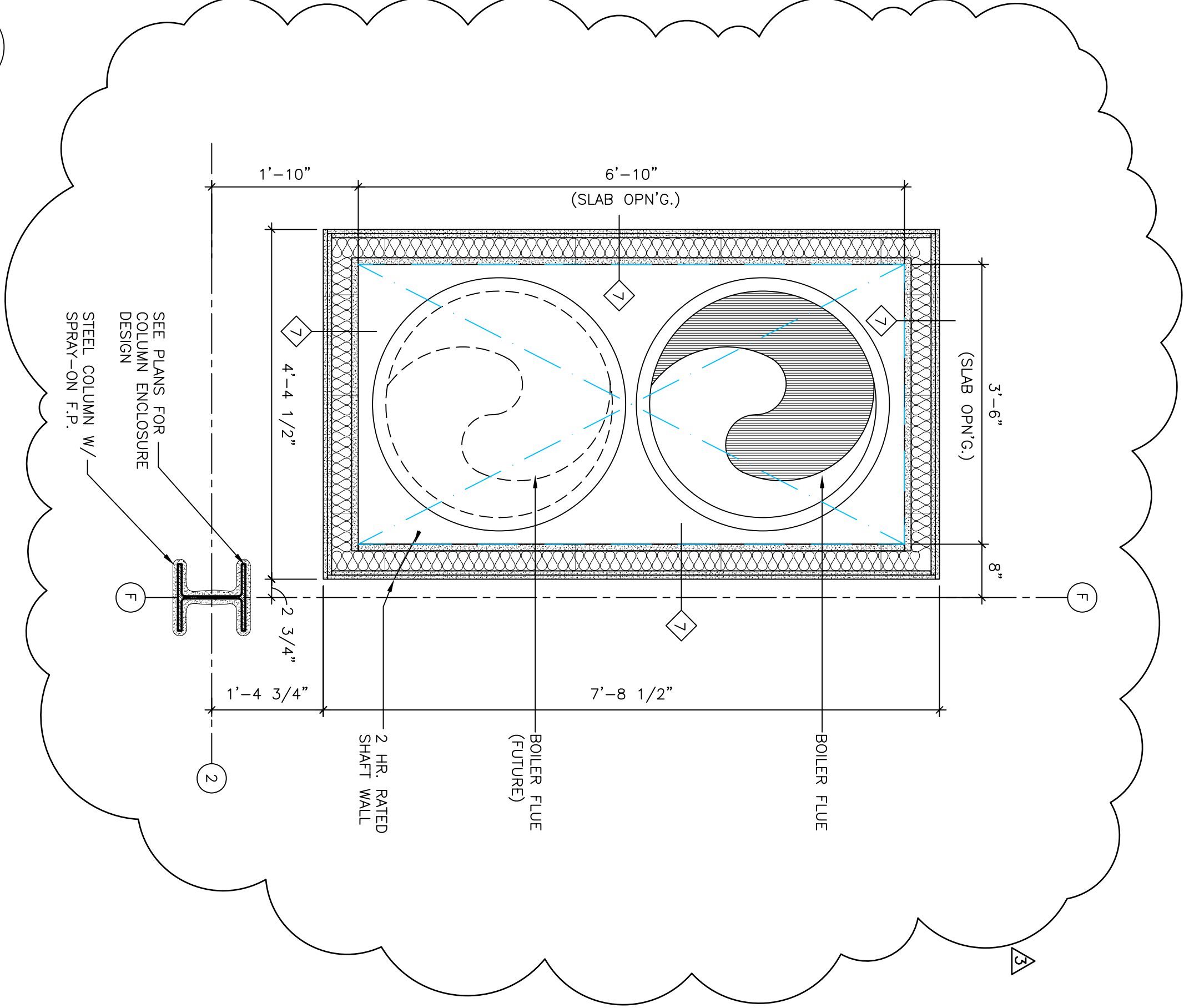
A7.14



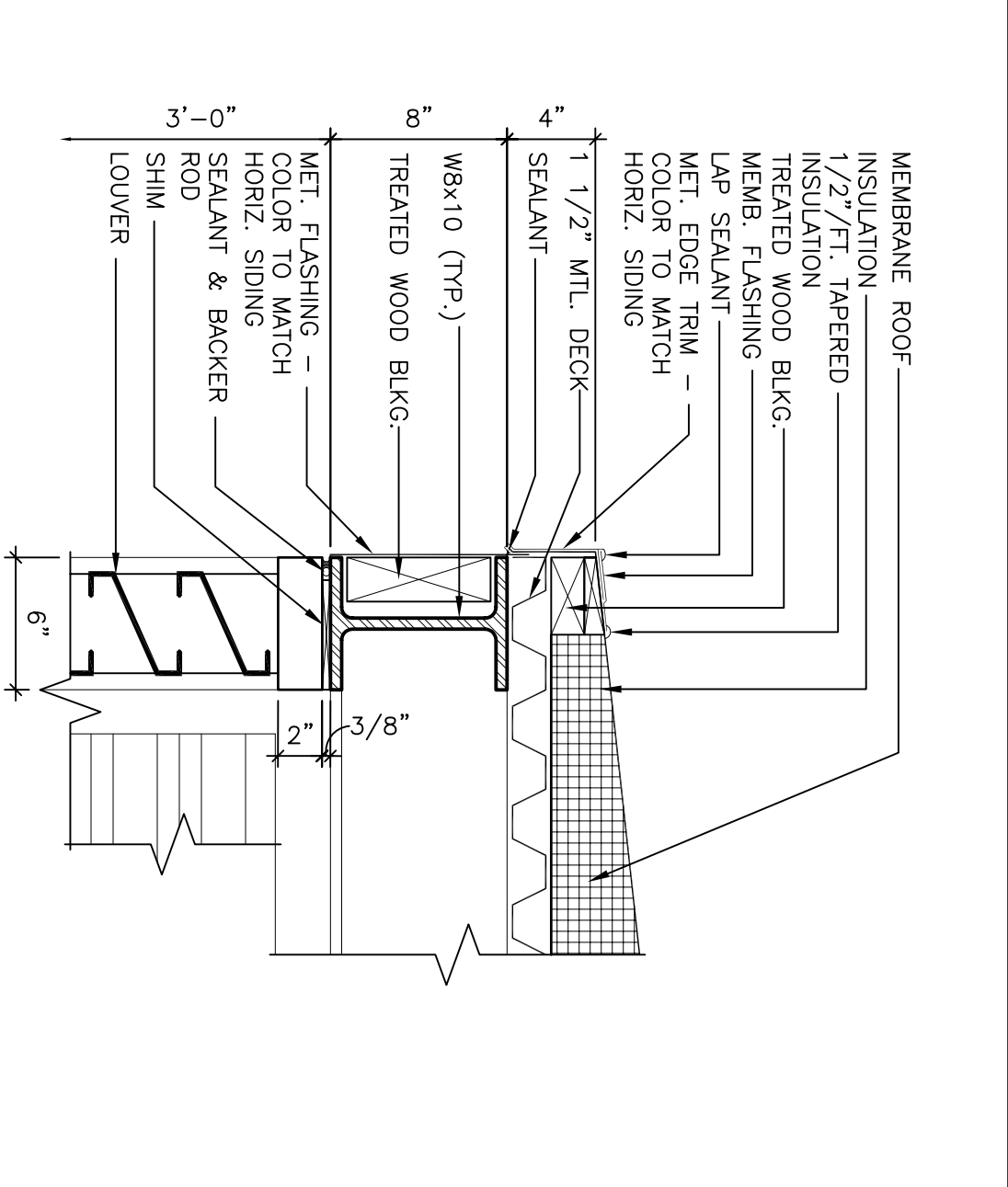
8 PLAN DETAIL @ CHIMNEY FIFTH FLOOR LEVEL (61'-2")
 SCALE: 3/4"=1'-0"



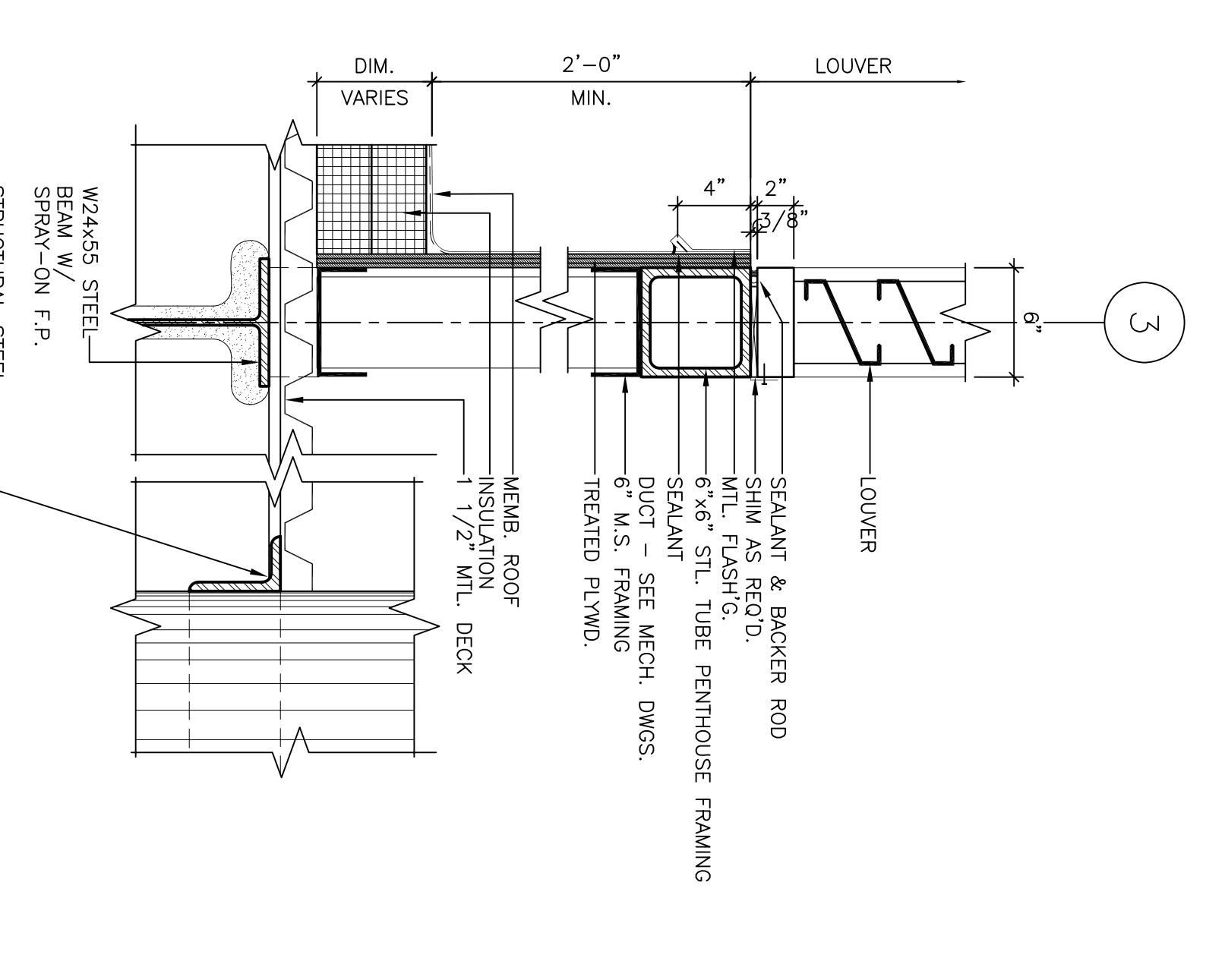
6 PLAN DETAIL @ CHIMNEY FOURTH FLOOR LEVEL (44'-10")
 SCALE: 3/4"=1'-0"



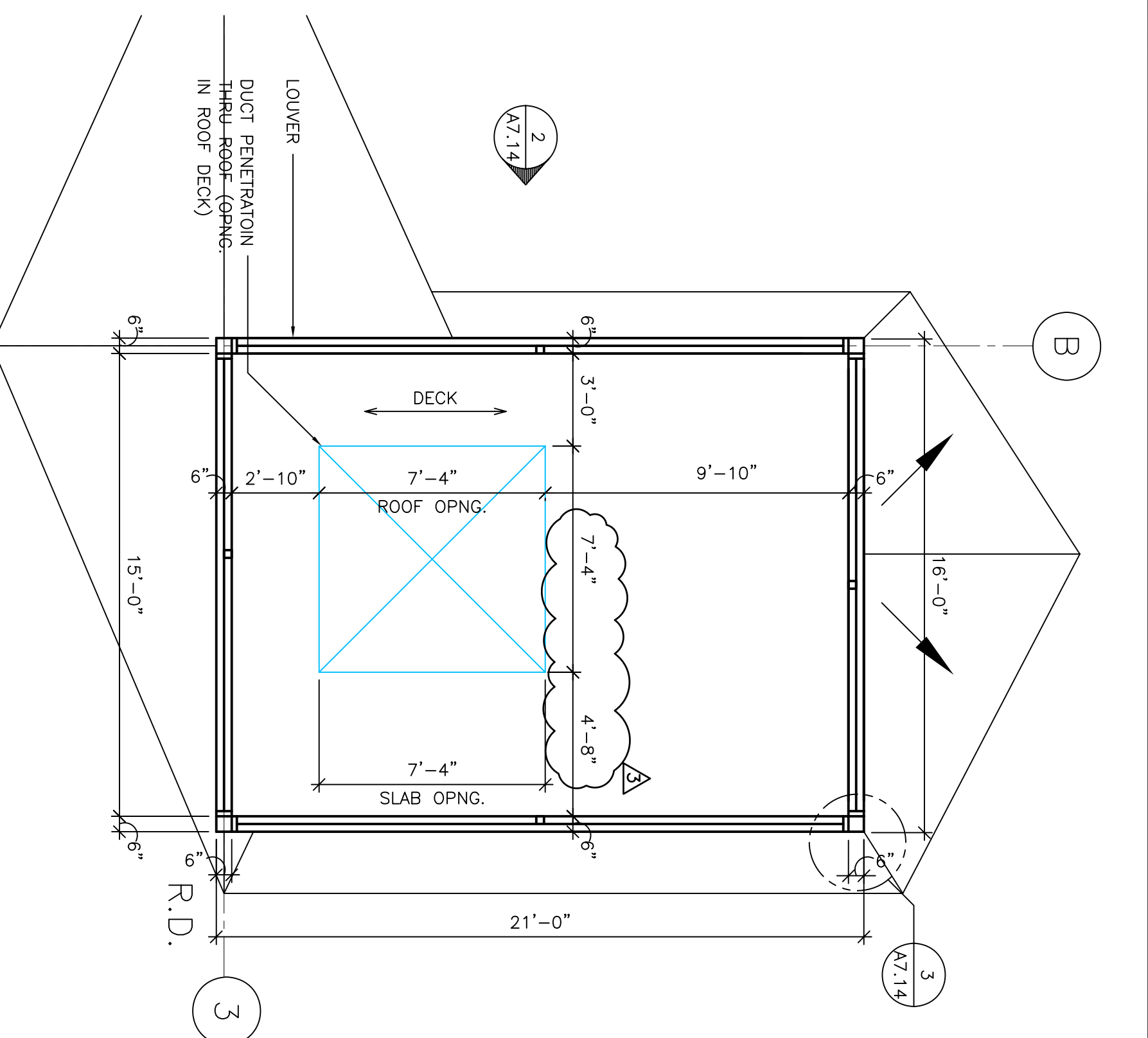
7 PLAN DETAIL @ CHIMNEY 1ST, 2ND & 3RD FLOOR LEVELS
 SCALE: 3/4"=1'-0"



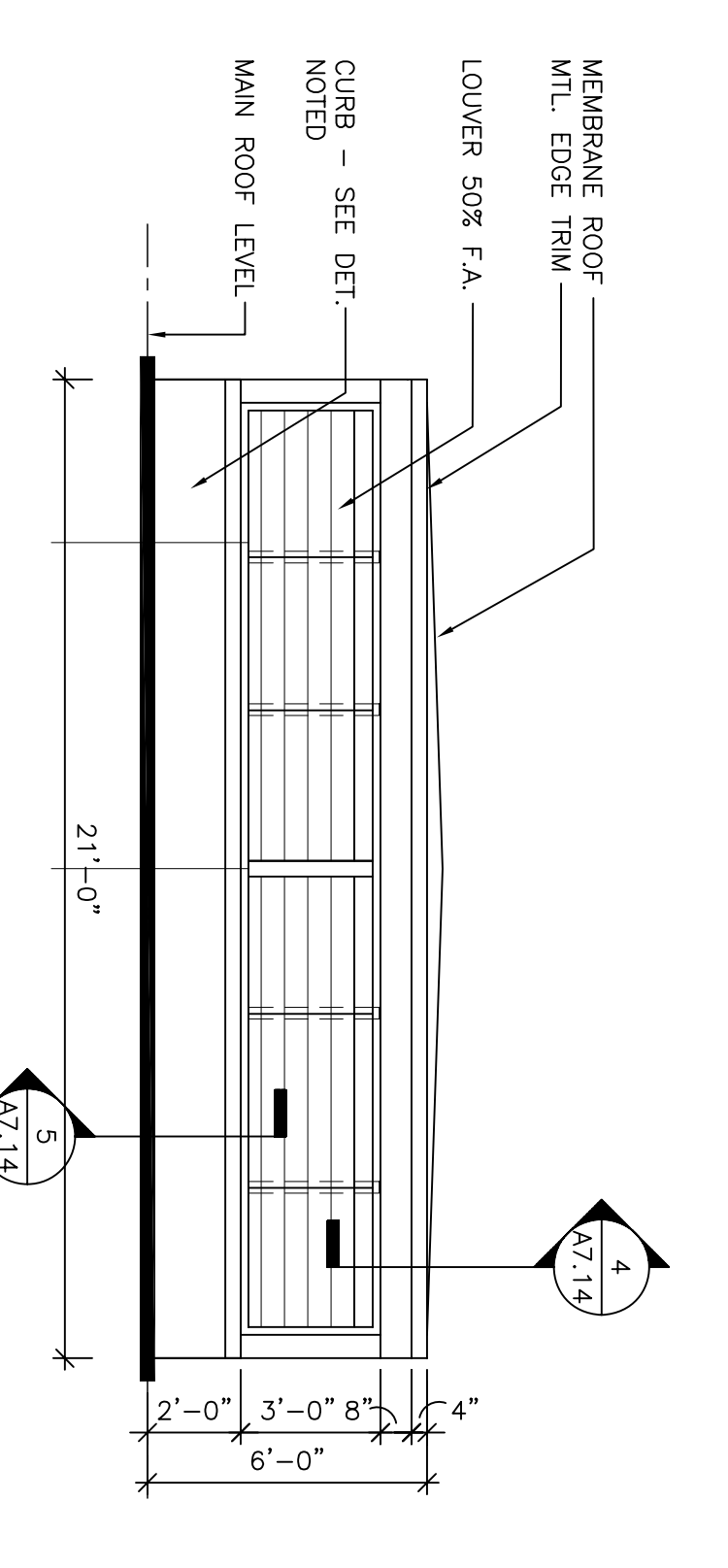
4 DETAIL - RELIEF VENT (MAIN ROOF LEVEL) 79'-4"
 SCALE: 1/2"=1'-0"



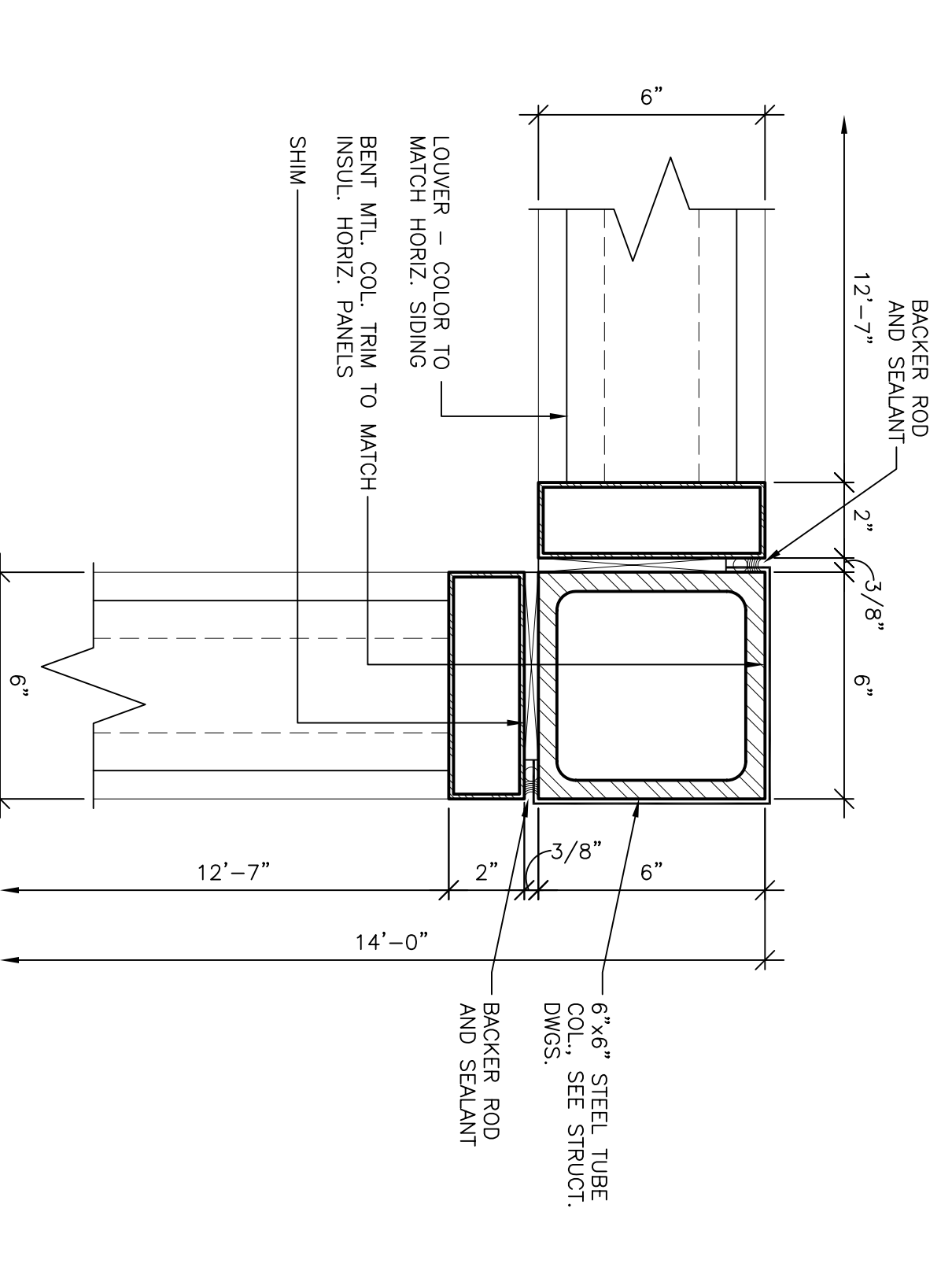
5 DETAIL - RELIEF VENT ENCLOSURE
 SCALE: 1/2"=1'-0"



1 MAIN ROOF LEVEL
 PLAN DETAIL @ RELIEF VENT ENCLOSURE
 SCALE: 1/4"=1'-0"



2 ELEVATION - RELIEF VENT (MAIN ROOF LEVEL) 79'-4"
 SCALE: 1/4"=1'-0"



3 DETAIL - RELIEF VENT (MAIN ROOF LEVEL) 79'-4"
 SCALE: 1/4"=1'-0"