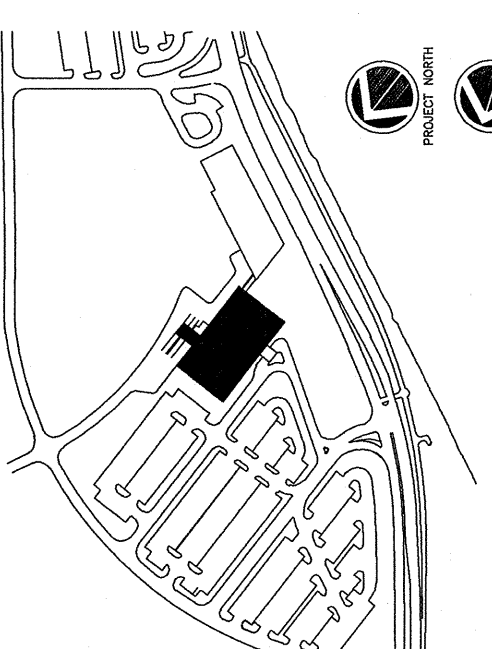


- GENERAL NOTES:**
- SEE INTERIOR DETAILS A1.26 FOR BUMPER, WALL PROTECTION & HAND RAILS
  - SEE FINISH PLANS FOR LOCATION, TYPE & EXTENTS OF FINISH MATERIAL
  - SEE A6.07/A6.08 FOR CASEWORK LEGEND & DETAILS
  - SEE A6.06 FOR CASEWORK MOUNTING HEIGHTS



**Consultant**  
 CIVIL ENGINEER  
 DeLio-Hoffman Associates, Inc.  
 1000 South Portland Street  
 South Portland, ME 04106  
 Phone: (207) 778-1121  
 Fax: (207) 879-6886

**Consultant**  
 ASSOCIATE ARCHITECT/STRUCTURAL ENGINEER  
 SMART  
 507 Pine Street P.O. Box 618  
 Portland, Maine 04104  
 Phone: (207) 772-3846  
 Fax: (207) 772-1976

**Consultant**  
 MECHANICAL/ELECTRICAL ENGINEER  
 The Aerial on the Coast  
 311 Aerial Street  
 Portland, ME 04103  
 Phone: (207) 772-3789  
 Fax: (207) 772-3789

**Consultant**  
 EQUIPMENT PLANNING  
 Equipment Planning Associates  
 1893 General George Patton Drive  
 Portland, ME 04103  
 Phone: (615) 378-3100  
 Fax: (615) 378-3114

**Consultant**  
 CITY, WISCONSIN  
 Gilbane Building Company  
 7 Jackson Way  
 Portland, ME 04103  
 Phone: (401) 456-5905  
 Fax: (401) 456-5516

**Consultant**  
 FOOD SERVICE  
 Inman Foodservice, LLC  
 1000 Elm Street  
 Nashville, TN 37203  
 Phone: (615) 321-5591  
 Fax: (615) 321-5689

**It is the responsibility of the Construction Manager/General Contractor and all subcontractors to verify all dimensions and accept conditions of prior work by related trades before proceeding with any work.**

Date: 11/10/06 Final-Issued For Construction  
 Drawn By: ART/KD  
 Scale: AS NOTED

**Francis**

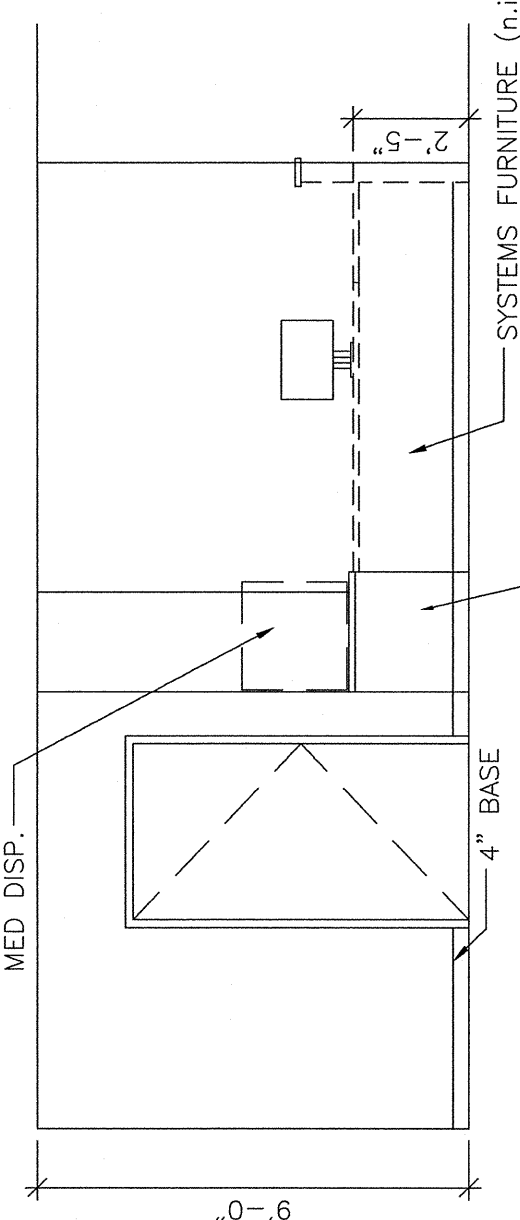
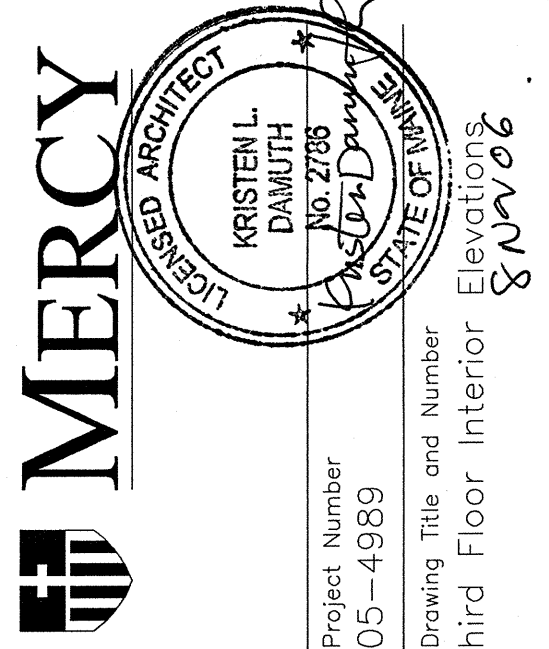
**Caufman**

**Foley**

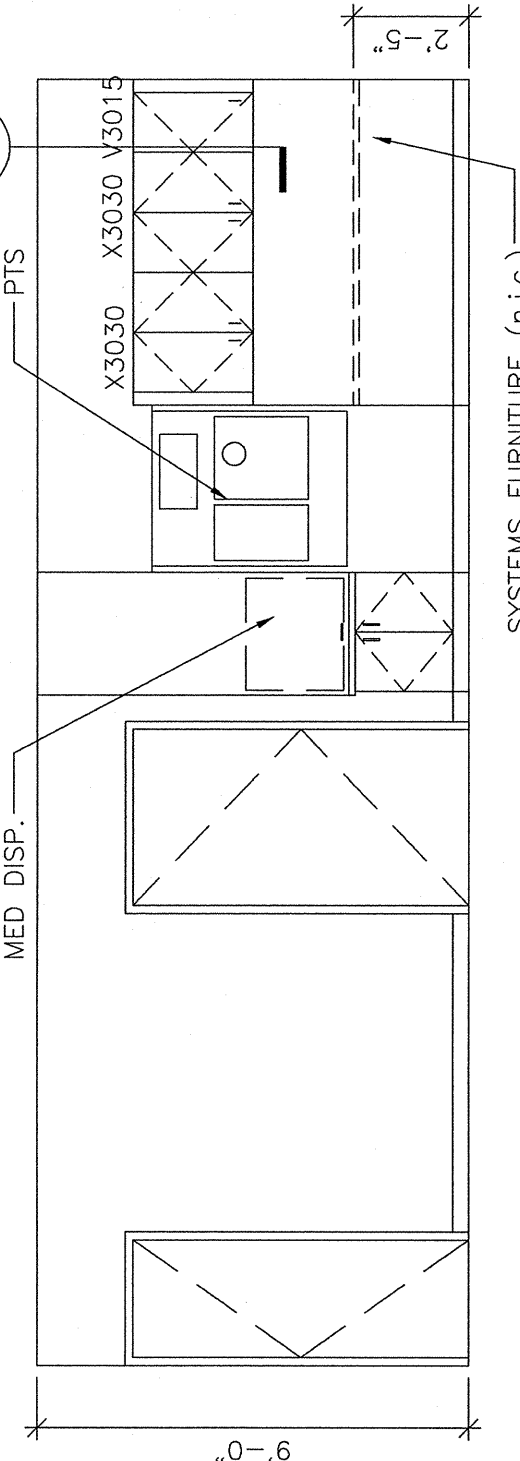
**Hoffmann**

Francis Cauffman  
 Foley Hoffmann  
 Architects Ltd.  
 2120 Arch Street  
 Philadelphia, PA 19103  
 215-588-8250

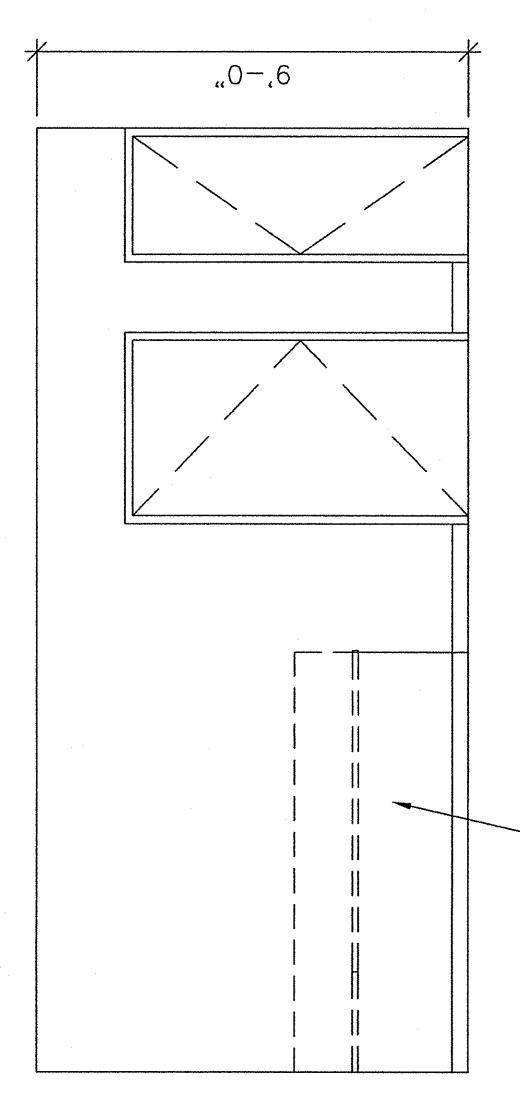
Project Title  
 Mercy Health Care  
 System of Maine  
 FORE RIVER SHORT  
 STAY HOSPITAL



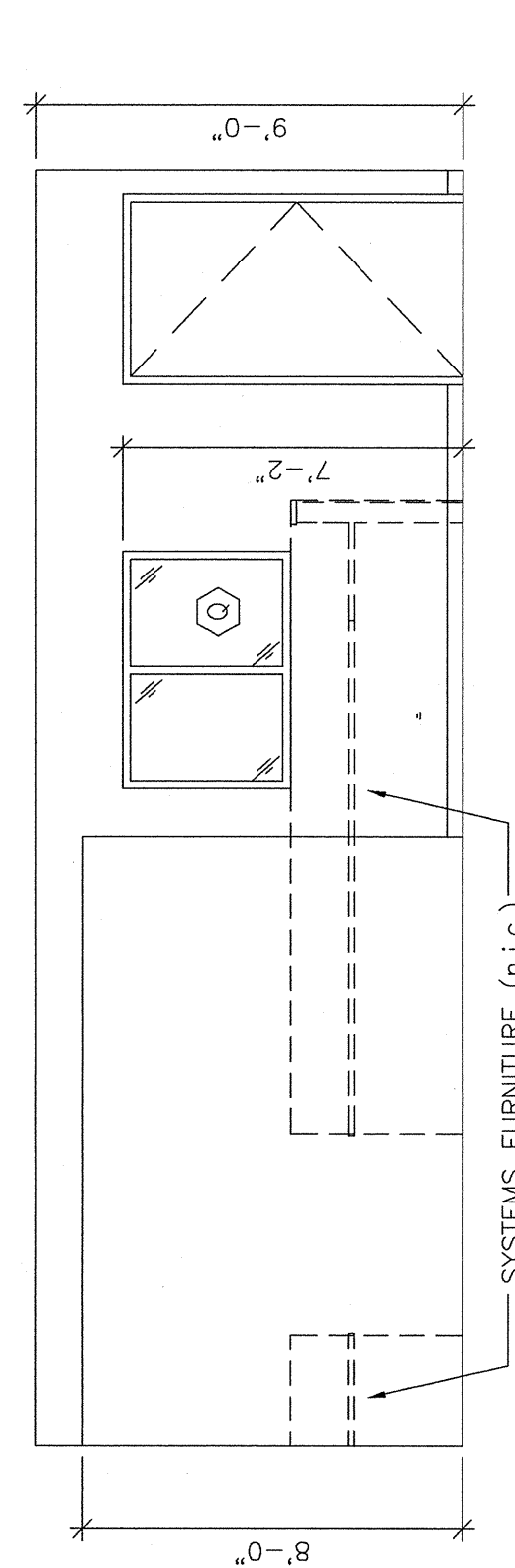
4 TRIAGE N/S-S3011  
 1/4"=1'-0"



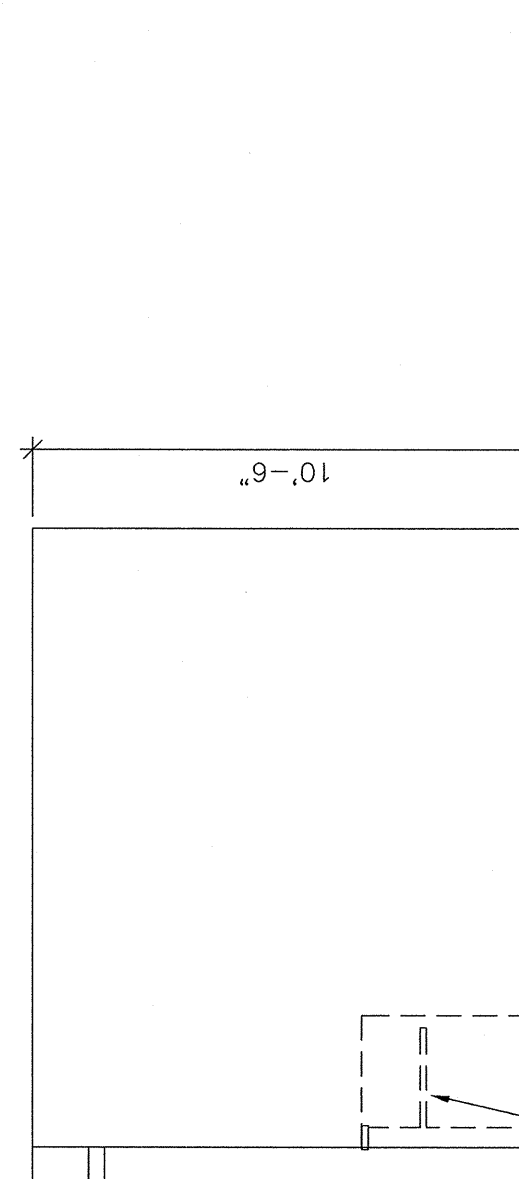
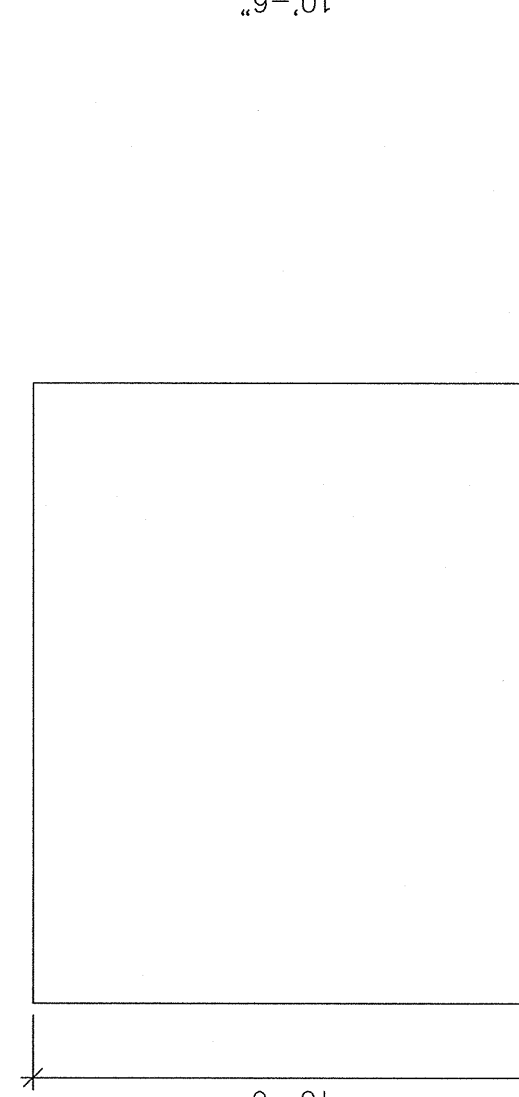
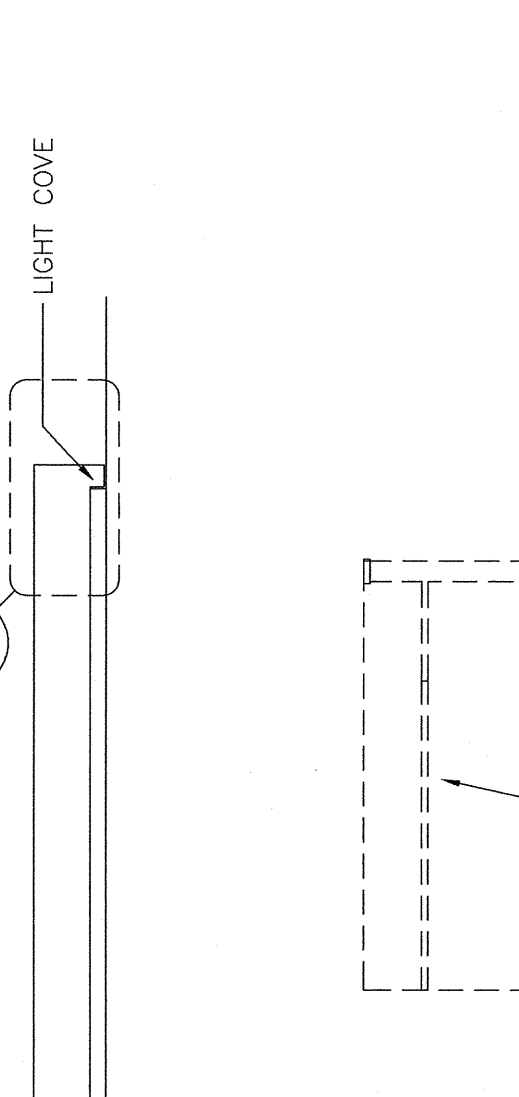
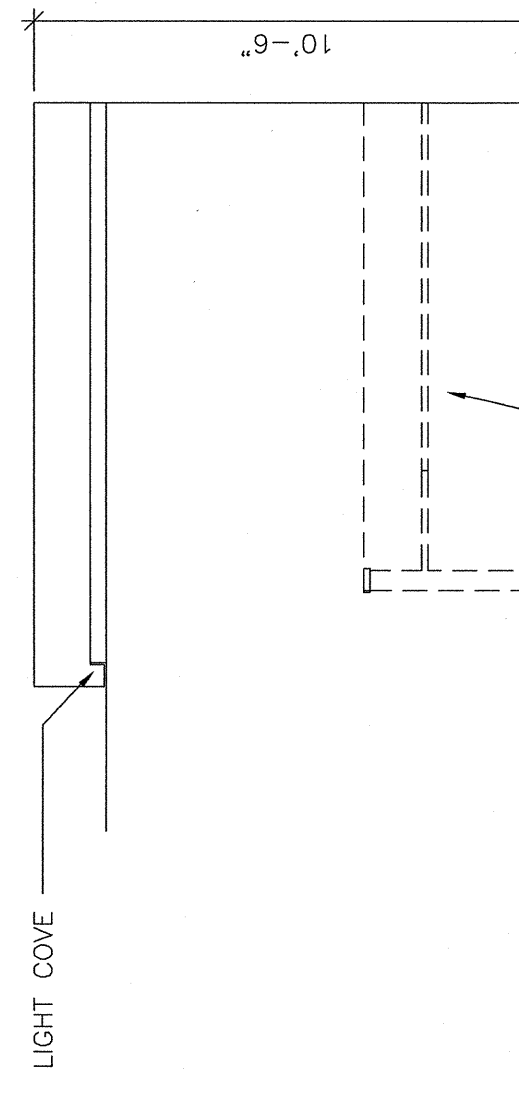
3 TRIAGE N/S-S3011  
 1/4"=1'-0"



2 TRIAGE N/S-S3011  
 1/4"=1'-0"



1 TRIAGE N/S-S3011  
 1/4"=1'-0"

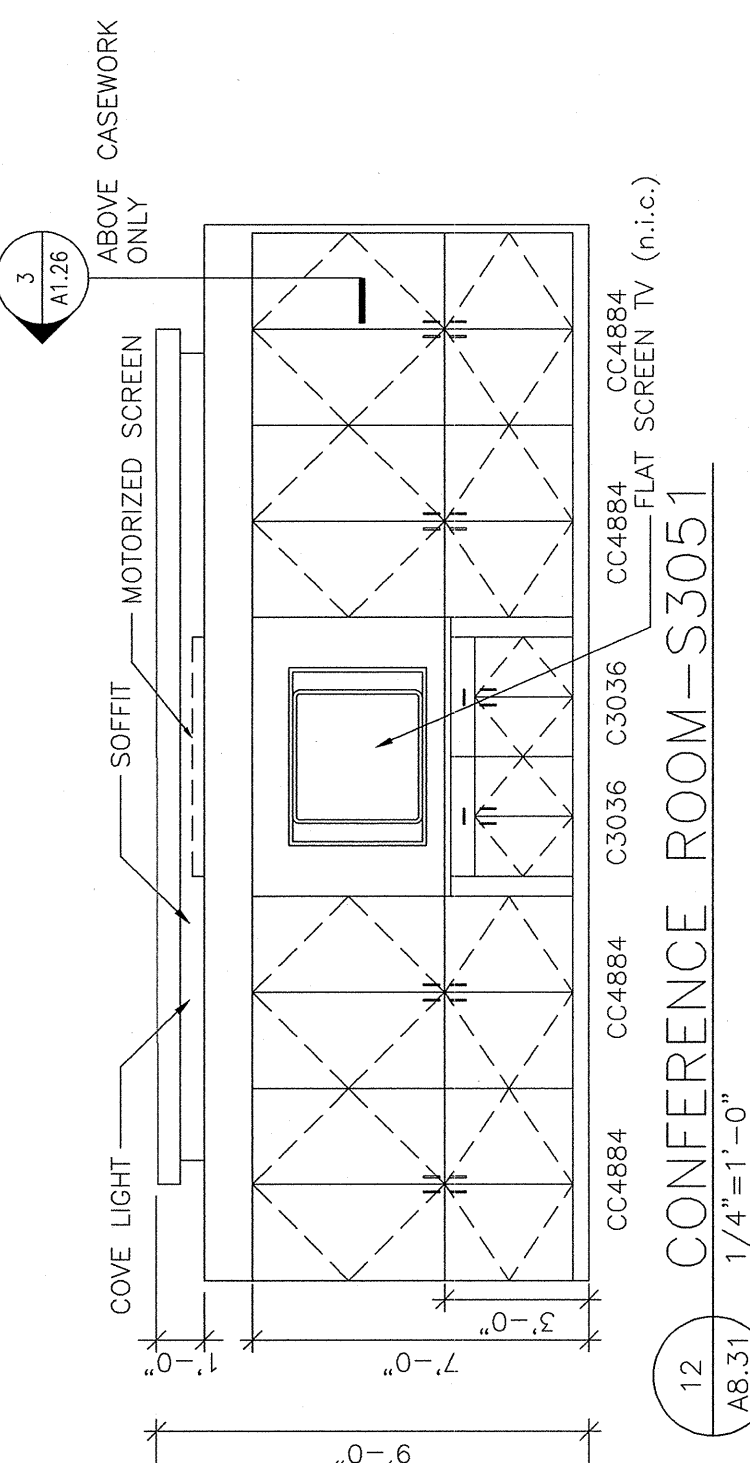


8 RECEPTION DESK-S3X010A  
 1/4"=1'-0"

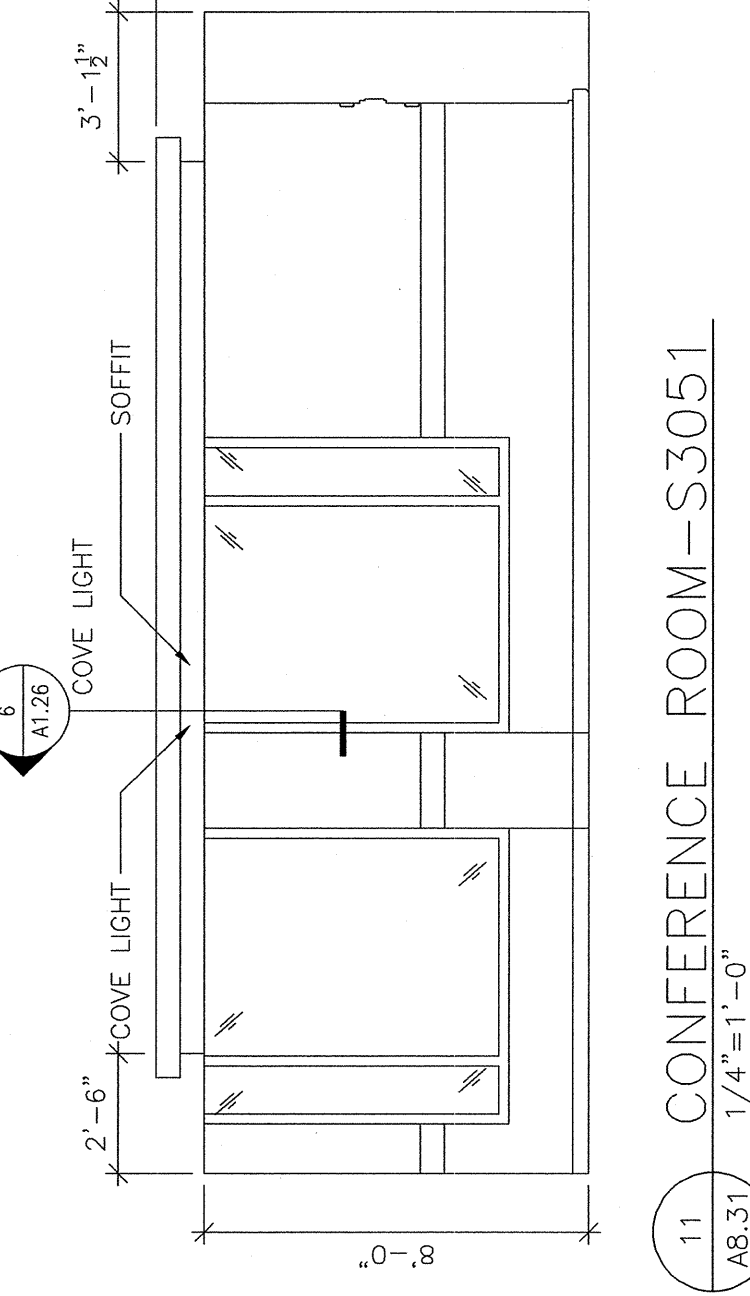
7 RECEPTION DESK-S3X010A  
 1/4"=1'-0"

6 RECEPTION DESK-S3X010A  
 1/4"=1'-0"

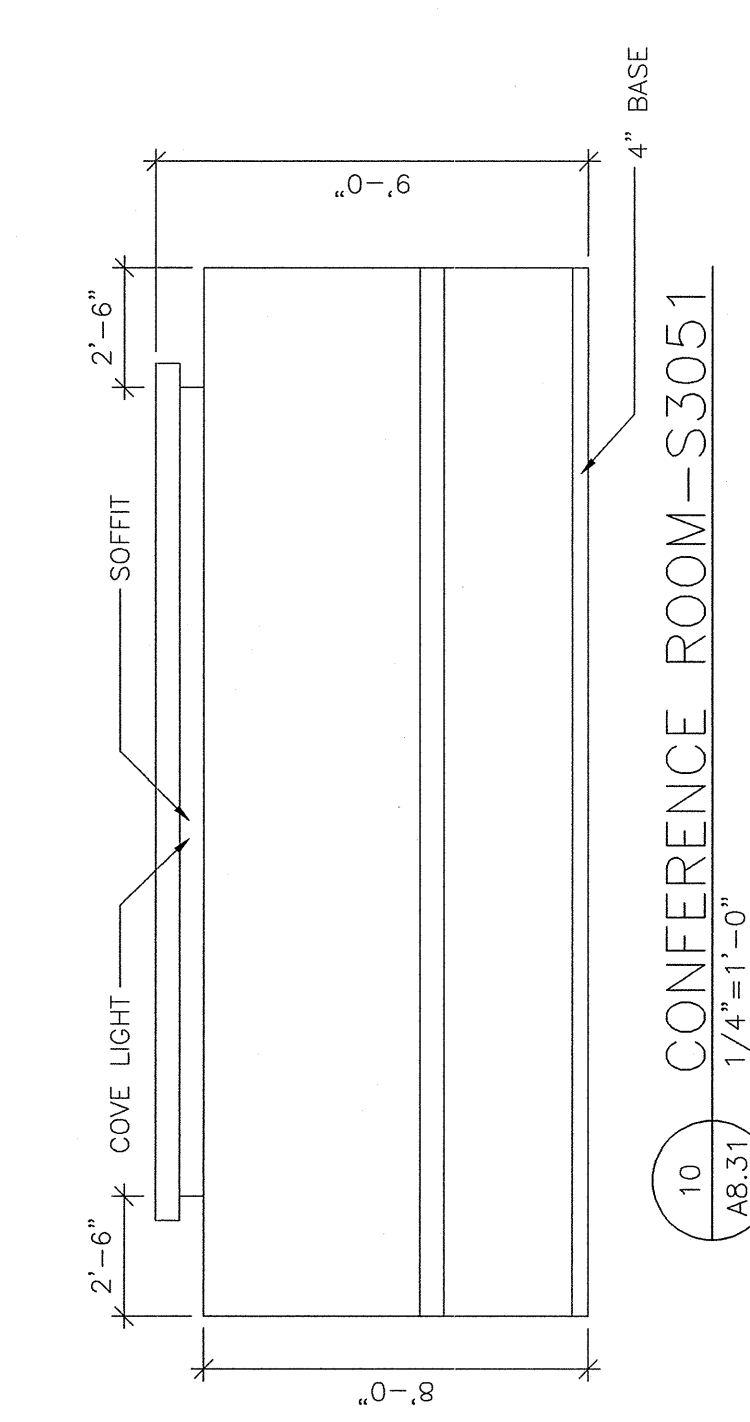
5 RECEPTION DESK-S3X010A  
 1/4"=1'-0"



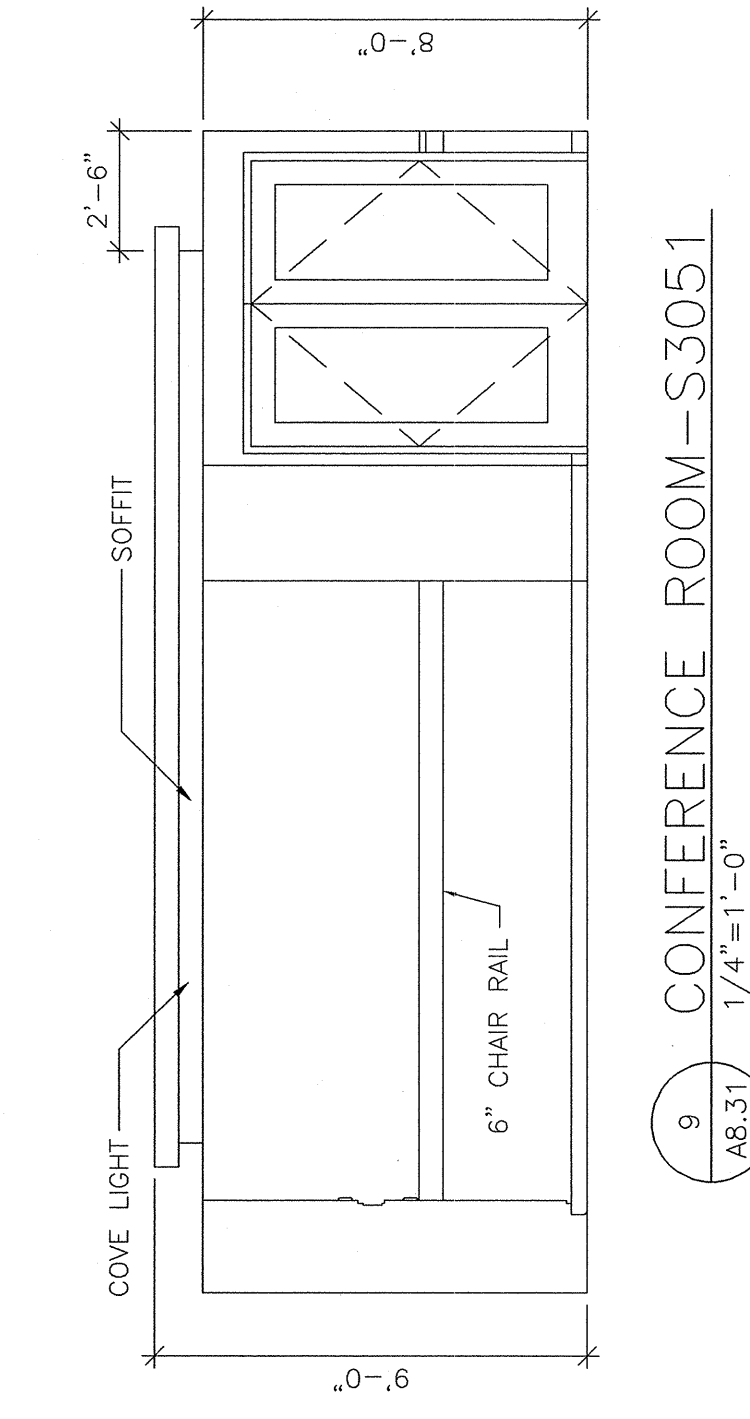
12 CONFERENCE ROOM-S3051  
 1/4"=1'-0"



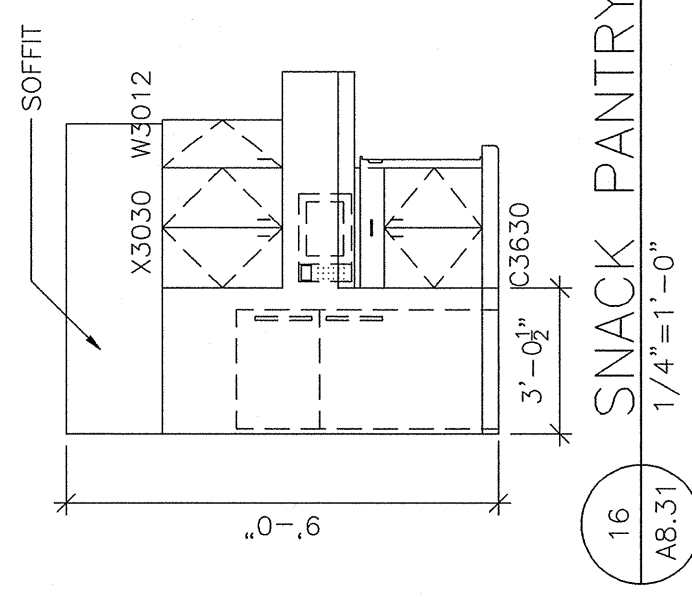
11 CONFERENCE ROOM-S3051  
 1/4"=1'-0"



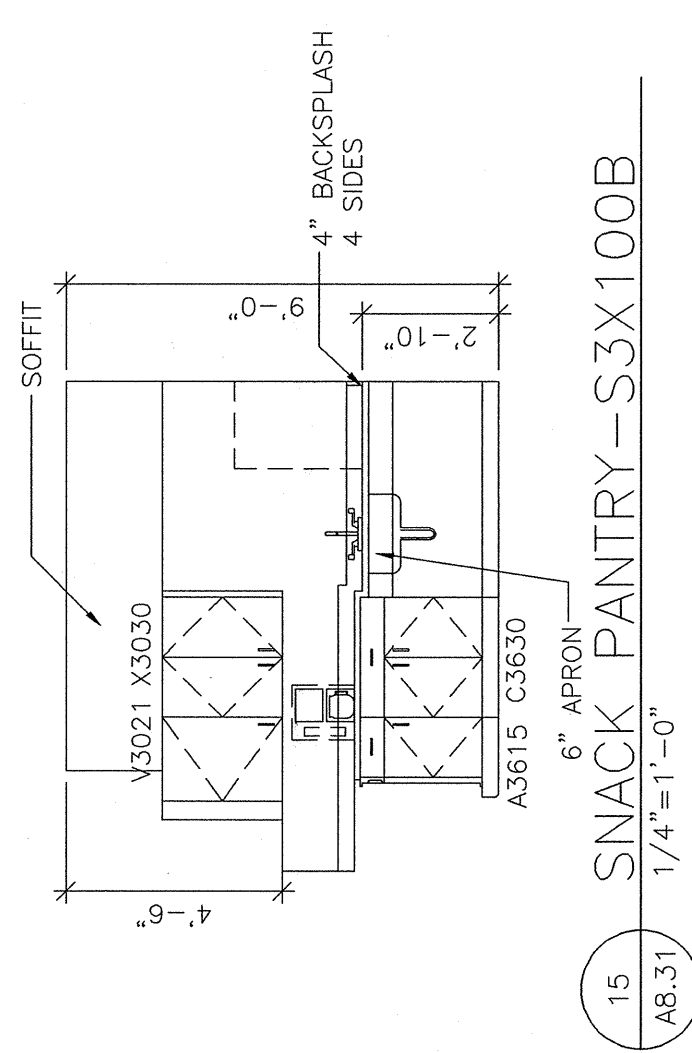
10 CONFERENCE ROOM-S3051  
 1/4"=1'-0"



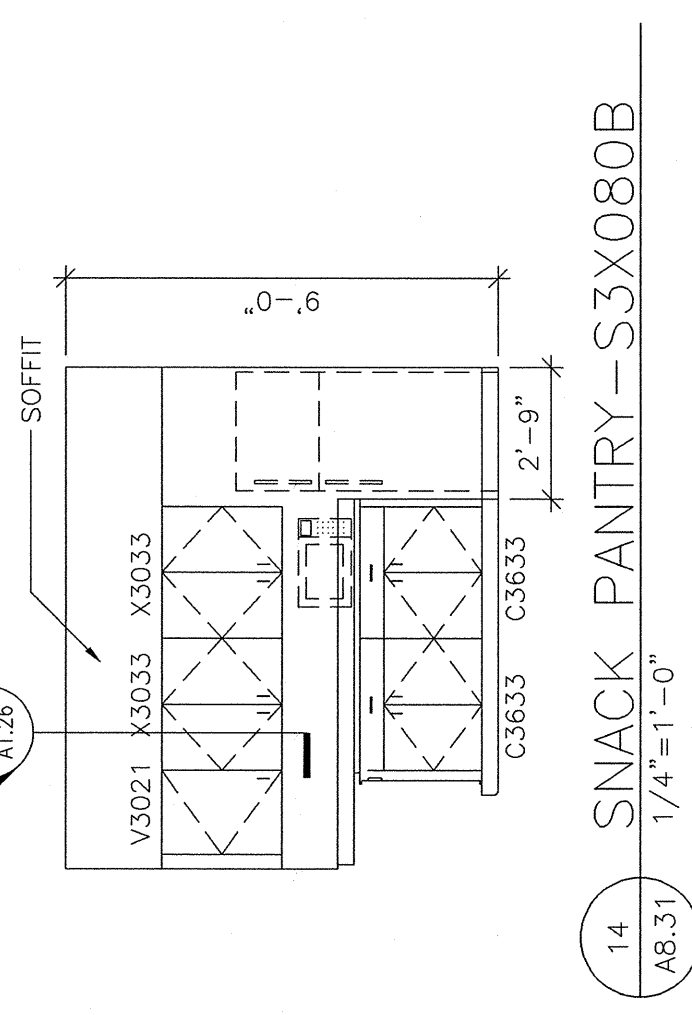
9 CONFERENCE ROOM-S3051  
 1/4"=1'-0"



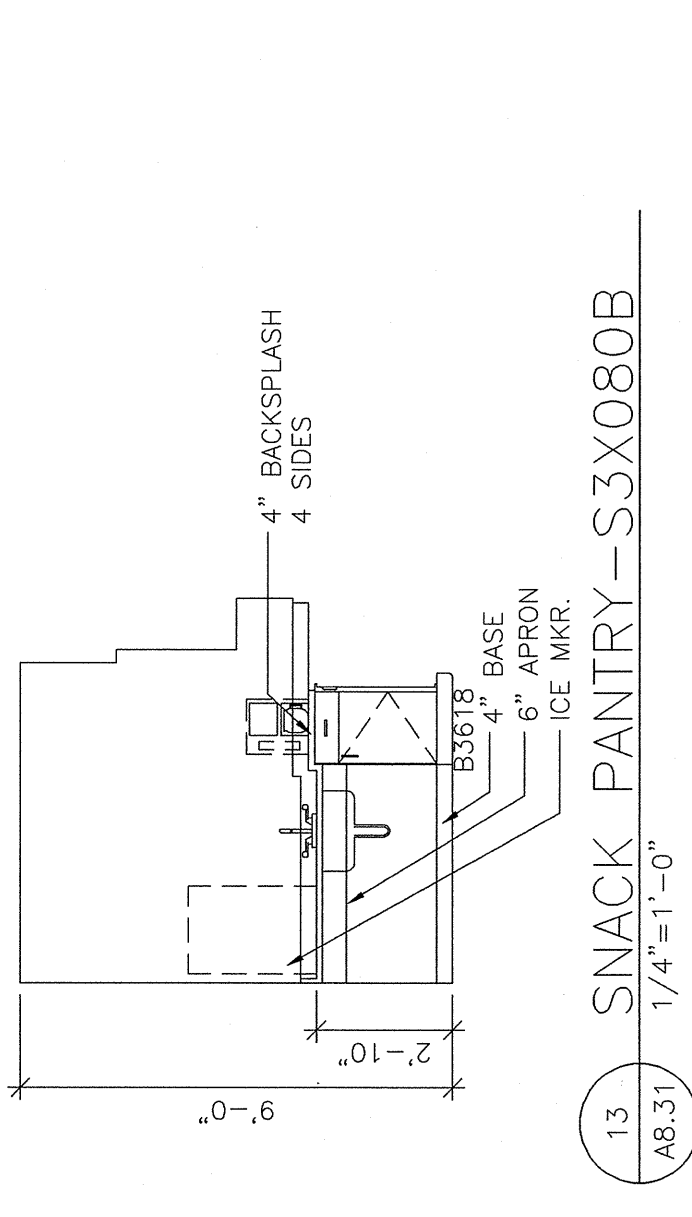
16 SNACK PANTRY-S3X100B  
 1/4"=1'-0"



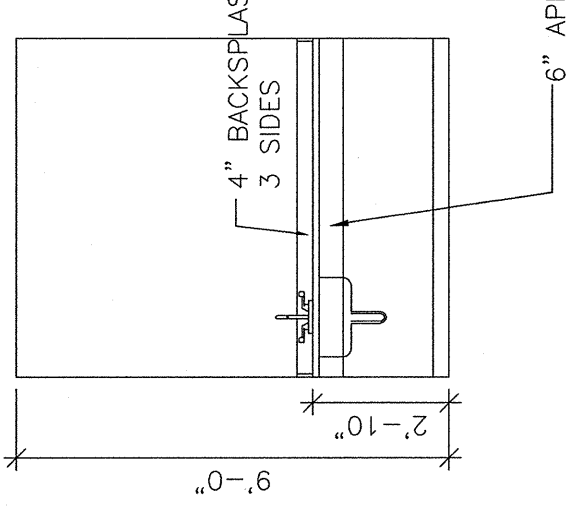
15 SNACK PANTRY-S3X100B  
 1/4"=1'-0"



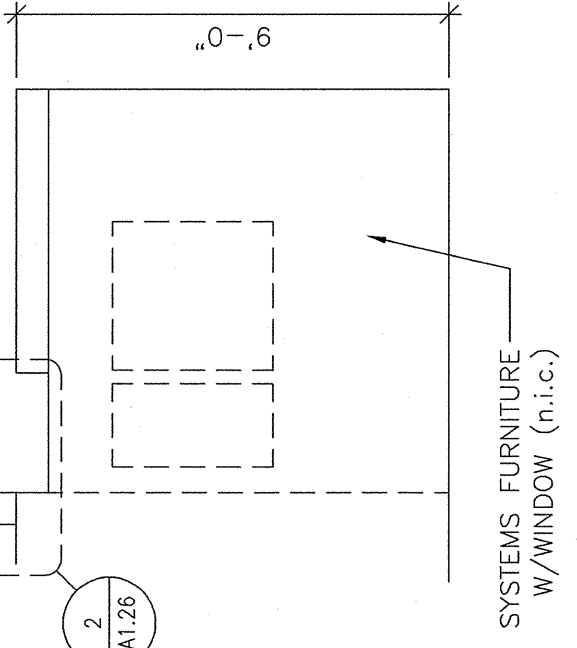
14 SNACK PANTRY-S3X080B  
 1/4"=1'-0"



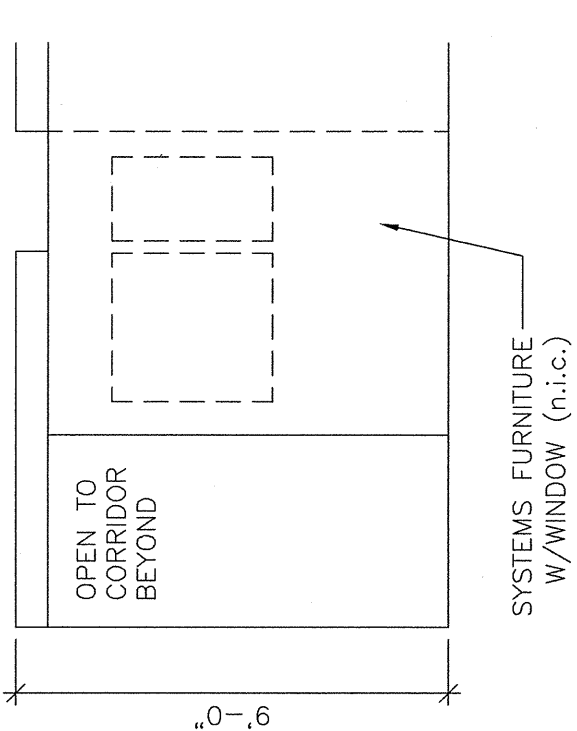
13 SNACK PANTRY-S3X080B  
 1/4"=1'-0"



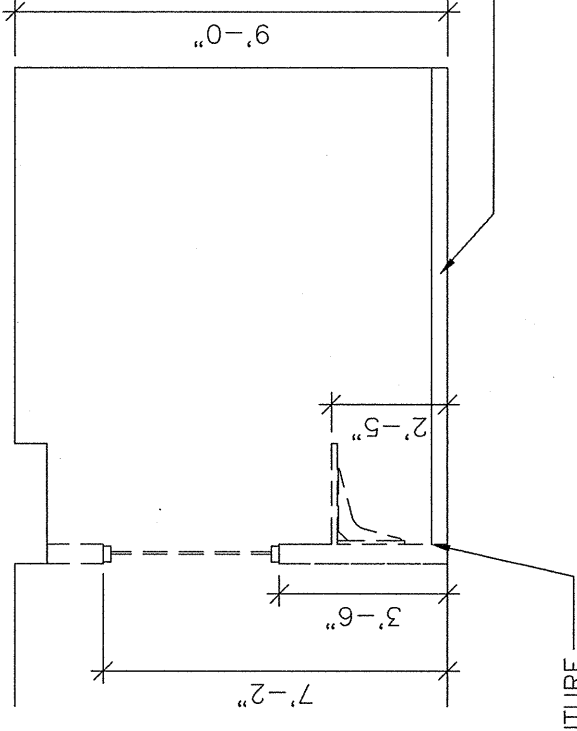
21 STAFF LOUNGE-S3010  
 1/4"=1'-0"



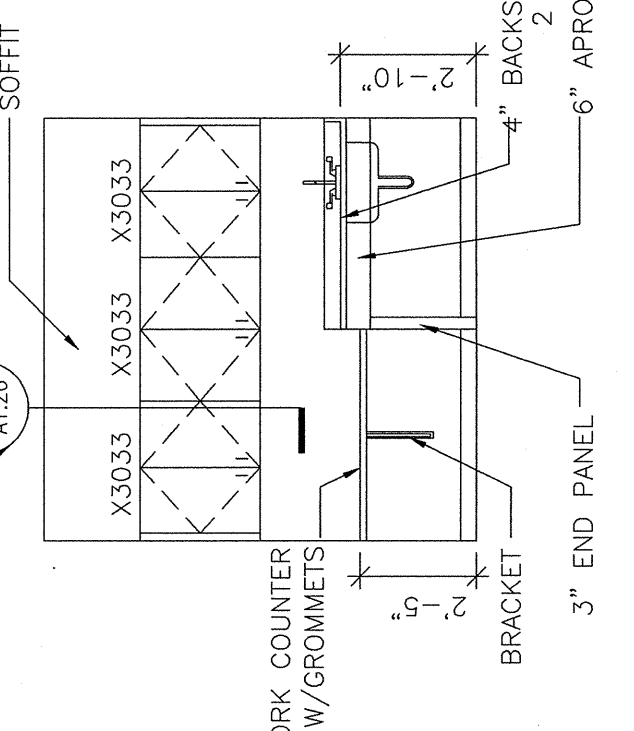
20 CHARTING TYP-S3036  
 1/4"=1'-0"



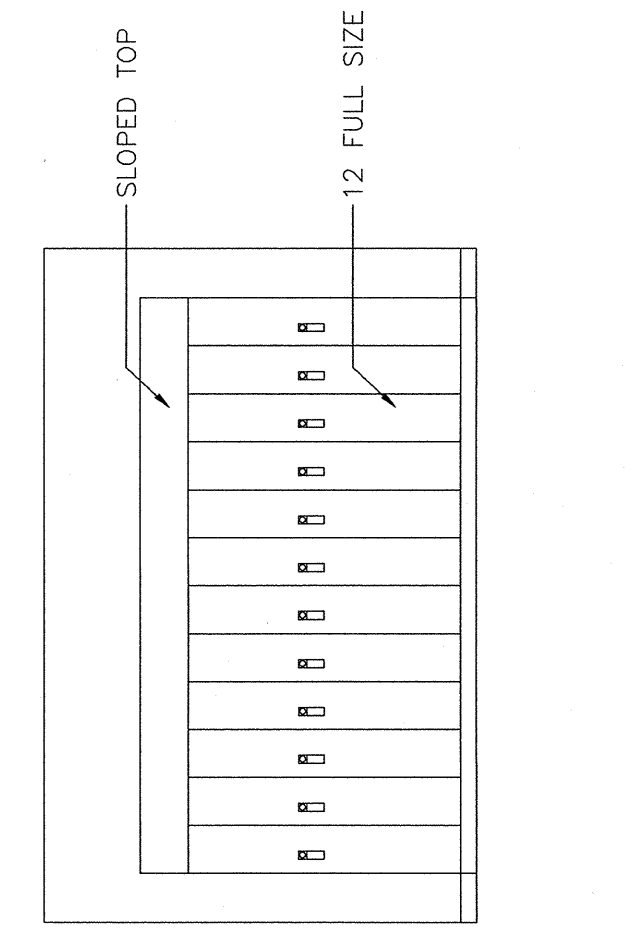
18 CHARTING TYP-S3036  
 1/4"=1'-0"



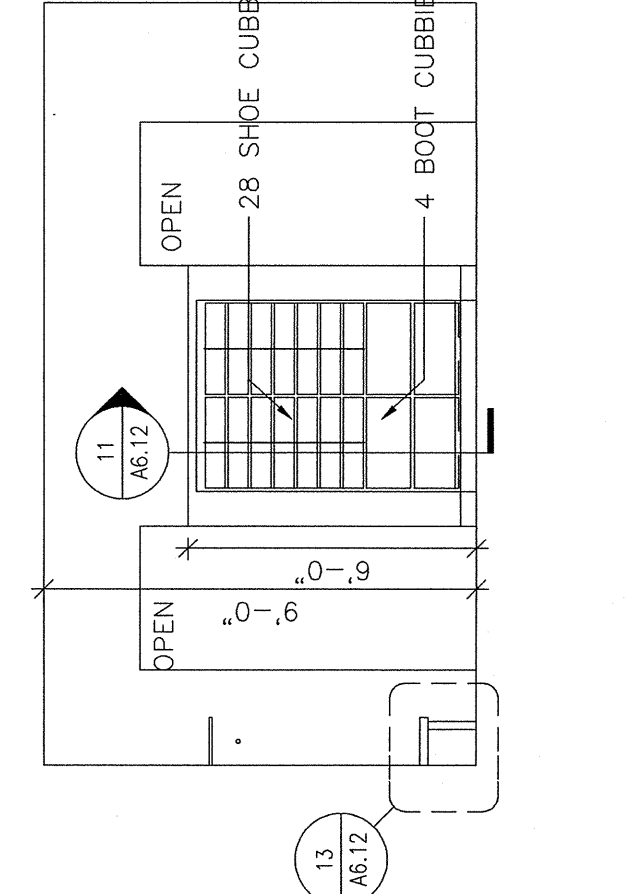
17 CHART TYP-S3036  
 1/4"=1'-0"



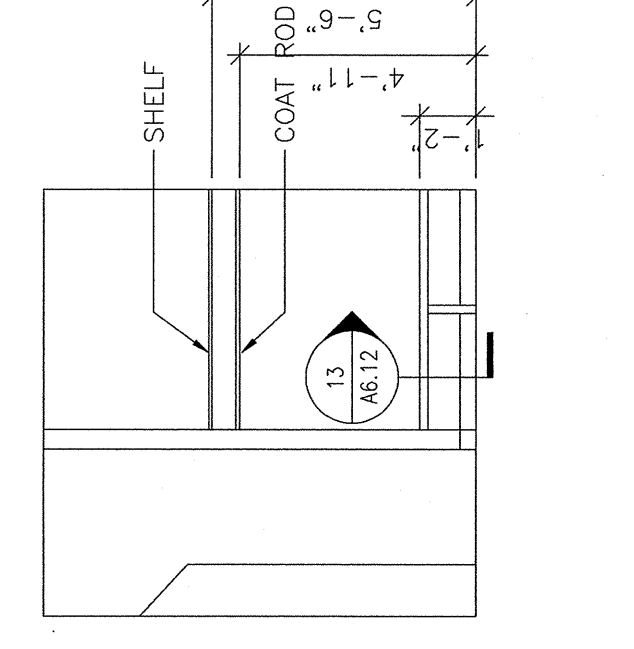
26 OFFICE W/SINK TYP-S3005  
 1/4"=1'-0"



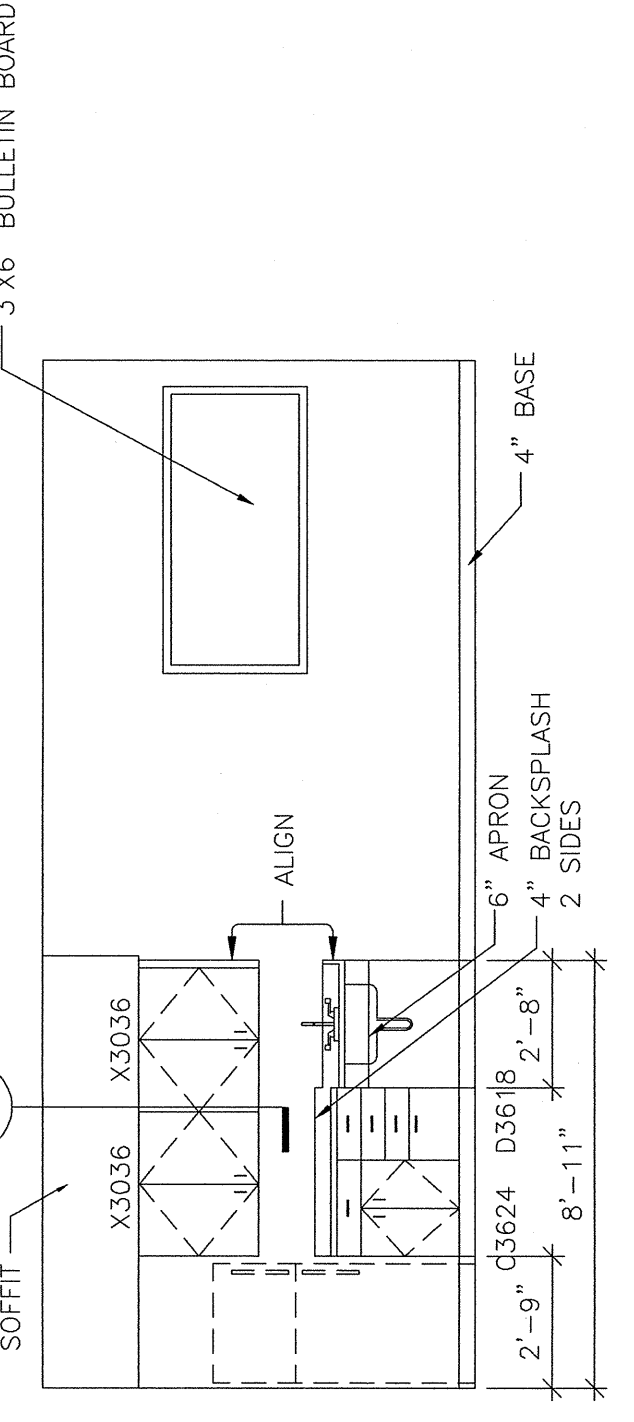
25 STAFF LOCKERS-S3010B  
 1/4"=1'-0"



24 STAFF LOCKERS-S3010B  
 1/4"=1'-0"



23 STAFF LOCKERS-S3010B  
 1/4"=1'-0"



22 STAFF LOUNGE-S3010  
 1/4"=1'-0"